



RAM

2017

RAM TRUCK 1500

SPECIAL SERVICE SUPPLEMENT

VEHICLES SOLD IN CANADA

With respect to any Vehicles Sold in Canada, the name FCA US LLC shall be deemed to be deleted and the name FCA Canada Inc. used in substitution therefore.

DRIVING AND ALCOHOL

Drunken driving is one of the most frequent causes of accidents.

Your driving ability can be seriously impaired with blood alcohol levels far below the legal minimum. If you are drinking, don't drive. Ride with a designated non-drinking driver, call a cab, a friend, or use public transportation.

WARNING!

Driving after drinking can lead to an accident. Your perceptions are less sharp, your reflexes are slower, and your judgment is impaired when you have been drinking. Never drink and then drive.

This manual illustrates and describes the operation of features and equipment that are either standard or optional on this vehicle. This manual may also include a description of features and equipment that are no longer available or were not ordered on this vehicle. Please disregard any features and equipment described in this manual that are not on this vehicle.

FCA US LLC reserves the right to make changes in design and specifications, and/or make additions to or improvements to its products without imposing any obligation upon itself to install them on products previously manufactured.

Copyright © 2016 FCA US LLC



TABLE OF CONTENTS

SECTION

PAGE

1	INTRODUCTION	3	1
2	THINGS TO KNOW BEFORE STARTING YOUR VEHICLE	5	2
3	UNDERSTANDING THE FEATURES OF YOUR VEHICLE	15	3
4	UNDERSTANDING YOUR INSTRUMENT PANEL	17	4
5	MAINTAINING YOUR VEHICLE	21	5
6	INDEX	23	6

INTRODUCTION

CONTENTS

■ INTRODUCTION	4
--------------------------	---

INTRODUCTION

This booklet is a supplement to the Owner's Manual prepared with the assistance of service and engineering specialists, and is intended to aid the operators of Special Service vehicles (used in severe duty, high-mileage operations) in understanding the operation and required maintenance procedures for such vehicles. It covers maintenance procedures for vehicles equipped with heavy-duty packages. However, other vehicles operated under the conditions listed below are also considered "severe service" vehicles, and should be serviced and maintained as prescribed in this booklet. You are urged to read this publication and the Owner's Manual carefully.

This vehicle is equipped with a Vehicle Systems Interface Module (VSIM), a 24-way connector, and four additional connectors. The VSIM and connectors allow the vehicle to be upfitted with aftermarket equipment. For further information, please refer to the upfitters information.

Following the instructions and recommendations provided herein, will help assure safe and reliable operation of your vehicle. After you have read the booklet, it should be stored in the vehicle for convenient reference and remain with the vehicle when sold.

When it comes to service, remember that your authorized dealer knows your vehicle best, has factory-trained technicians and genuine MOPAR® parts, and cares about your satisfaction.

THINGS TO KNOW BEFORE STARTING YOUR VEHICLE

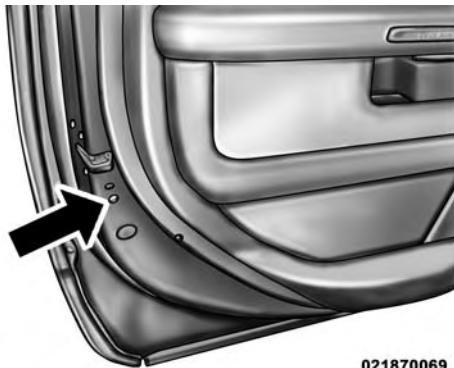
CONTENTS

■ DOOR LOCKS	6	■ OCCUPANT RESTRAINTS	7
□ Modified Rear Door – Locks, Levers, And Window Switches — If Equipped.	6	□ Air Bag Deployment Zones	8

DOOR LOCKS

Modified Rear Door – Locks, Levers, And Window Switches — If Equipped

To provide a safer environment for riding in the rear seat, the rear doors of your vehicle have the Protection Door Lock system.



021870069

Protection Door Lock Location

To use the system, open each rear door, use a flat blade screwdriver (or emergency key) and rotate the dial to engage and disengage the Protection locks. When the system on a door is engaged, that door can only be opened

by using the outside door handle even if the inside door lock is in the unlocked position.



022605852

Lock Control

WARNING!

Avoid trapping anyone in a vehicle in a collision. Remember that the rear doors can only be opened from the outside when the Protection locks are engaged.

OCCUPANT RESTRAINTS

Driver and Passenger Advanced Front Air Bags, Supplemental Side Curtain Air Bags (SABIC), and Seat-Mounted Side Air Bags (SAB) affect the way special service equipment can be safely mounted in special service vehicles.

Any surface that could come into contact with an air bag, once it has been deployed, must not damage the air bag or alter its deployment path.

The addition of the supplemental equipment (such as radios, weapons, mounting brackets, cage, etc.), must be installed such that it will not interfere or come in contact with a deploying air bag. Air bag deployment zones are described below. Sharp edges, corners or protrusions on supplemental equipment, could damage the nylon air bag material and reduce the effectiveness of the air bag during a deployment.

WARNING!

- Vehicles equipped with left and right Supplemental Side Curtain Air Bags (SABIC) must use police cages, which have been approved by the equipment manufacturer, for use in the vehicle.

WARNING! (Continued)

- The area where the Supplemental Side Curtain Air Bags (SABIC) is located should remain free from any obstructions.
- If your vehicle is equipped with left and right Supplemental Side Curtain Air Bags (SABIC), care must be taken when installing any type of roof equipment. Drilling and installation of fasteners or other equipment that may interfere with the Supplemental Side Curtain Air Bags (SABIC) and air bag wiring harness is not permitted. Furthermore, make sure no equipment or fasteners are located in the air bag deployment zone.
- Do not place objects or mount equipment in front of the air bag module cover, or in front of the seat areas that may come in contact with a deploying air bag.
- Dash, tunnel or console mounted equipment should not be placed outside of the specified zone.
- Failure to follow these instructions could result in personal injury.

(Continued)

Air Bag Deployment Zones

There are four zones to be aware of:

1. Driver Air Bag Deployment Zone (Figure 1), and Driver Air Bag/Steering Wheel Specifications (Figure 2)
2. Passenger Air Bag Deployment Zone (Figure 3) and (Figure 4)
3. Supplemental Side Air Bag Inflatable Curtain (SABIC) Deployment Zone (Figure 5)
4. Supplemental Seat-Mounted Side Air Bag (SAB) Deployment Zone (Figure 6)

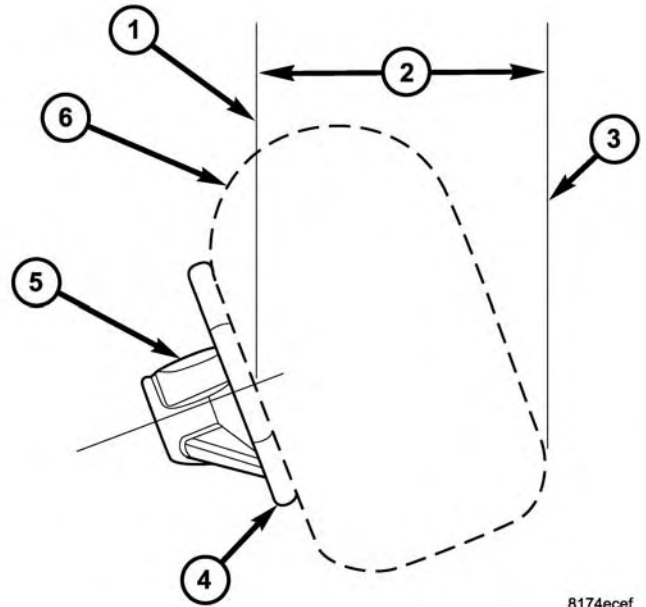


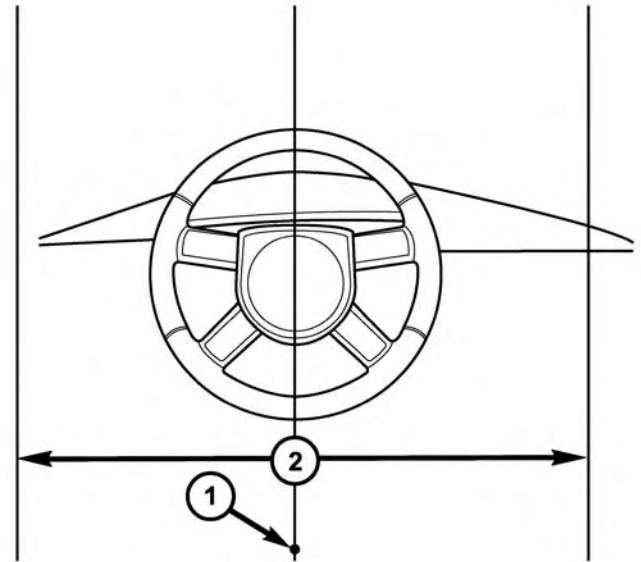
Figure 1

Figure 1 - Driver Air Bag Deployment Zone, depicts the following.

1. Vertical Plane Passing Through Center of Steering Wheel
2. 13 inches (330 mm)
3. Vertical Plane Passing Through Maximum Rearward Point that the Driver Air Bag Cushion Reaches
4. Steering Wheel
5. Driver Air Bag Retainer/Housing
6. Driver Air Bag Cushion

DRIVER AIR BAG/STEERING COLUMN SPECIFICATIONS

DRIVER AIR BAG CUSHION POSITION	
DAB Diameter When Deployed (Full)	26 inches (661 mm)
DAB Depth When Deployed (Full)	12 inches (305 mm)
Maximum Rearward Displacement During Deployment (Full)	16 inches (407 mm)
STEERING COLUMN TILT POSITION RANGE	
+/- 2 Degrees from Steering Column Tilt Pivot Point	
22.9 Degrees from Vertical is the Nominal Position	



2

81877152

Figure 2

Figure 2 - Driver Air Bag Lateral Deployment Zone, depicts the following.

1. Driver Seating Reference

10 THINGS TO KNOW BEFORE STARTING YOUR VEHICLE

2. Driver Air Bag Cushion Lateral Deployment Zone, 27 inches (686 mm).

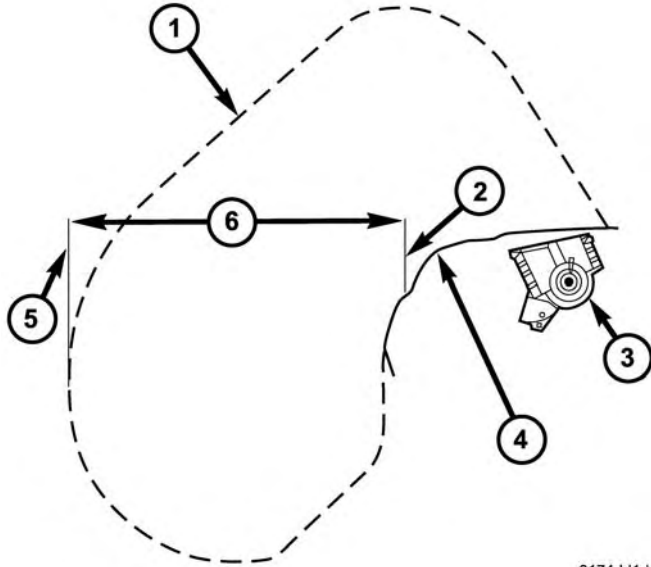


Figure 3

Figure 3 - Passenger Air Bag Deployment Zone, depicts the following.

1. Passenger Air Bag Cushion
2. Vertical Plane from Point of Instrument Panel
3. Passenger Air Bag Module
4. Instrument Panel
5. Vertical Plane Passing Through the Maximum Rearward Point that the Passenger Air Bag Cushion Reaches
6. 23 inches (584 mm)

8174dd1d

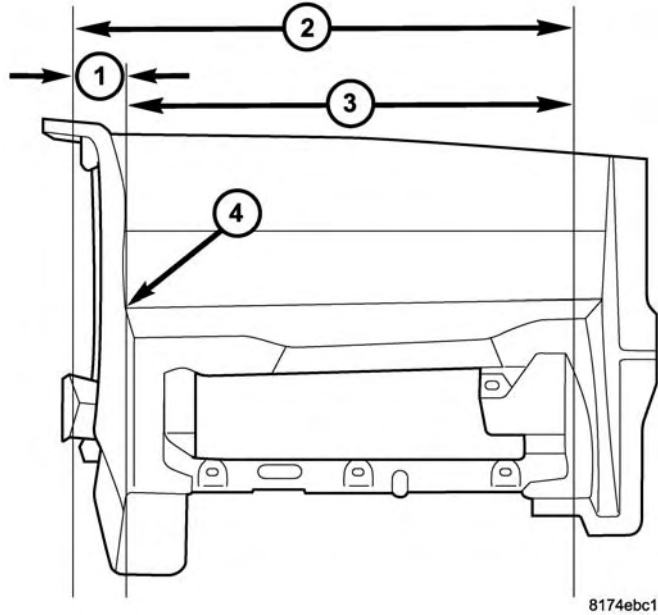


Figure 4

Figure 4 - Passenger Air Bag Lateral Deployment Zone, depicts the following.

1. 4.70 inches (119 mm)
2. Passenger Air Bag Cushion Deployment Zone
3. 29.8 inches (756 mm)
4. Reference Point

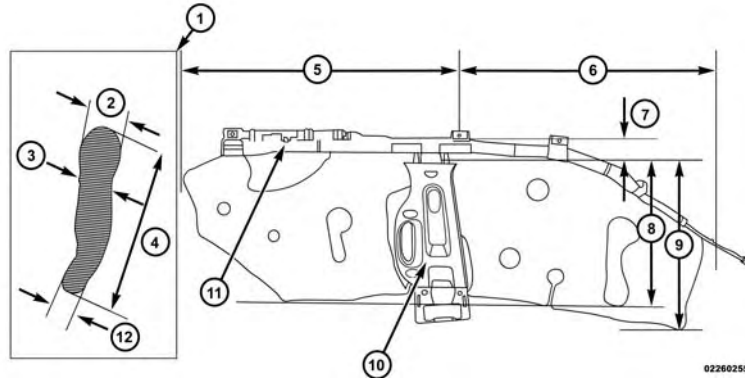


Figure 5

Figure 5 - Crew Cab Supplemental Side Air Bag Inflatable Curtain Air Bag Deployment Zone, depicts the following.

1. Cross-Sectional Area Side View

2. 4.85 inches (123 mm)

3. 4.29 inches (109 mm)

4. 19.92 inches (506 mm)

5. 36.81 inches (935 mm)

6. 34.5 inches (877 mm)

7. 3.3 inches (84 mm)

8. 16.92 inches (430 mm)

9. 22.2 inches (566 mm)

10. B-Pillar Trim

11. Side-Curtain Air Bag Inflator Module

12. 2.83 inches (72 mm)

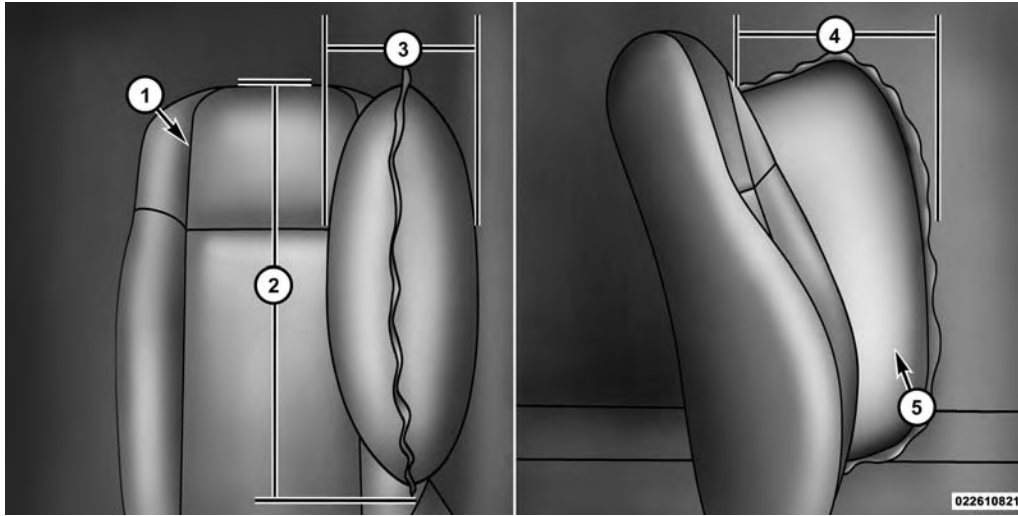


Figure 6

Figure 6 - Supplemental Seat Mounted Side Air Bag Deployment Zone, depicts the following.

- 1. Front Driver's Seat
- 2. 18.5 inches (470 mm)
- 3. 6.3 inches (160 mm)

- 4. 11.8 inches (300 mm)
- 5. Seat-Mounted Air Bag

UNDERSTANDING THE FEATURES OF YOUR VEHICLE

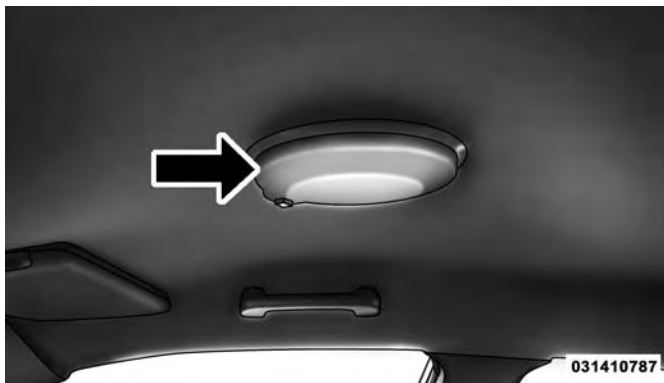
CONTENTS

■ LIGHTS16	□ Dome Light16
--------------------	-----	------------------------	-----

LIGHTS

Dome Light

The special service dome light has three positions. Position one is used for white light, and position two is used for red LED light. Always remember to return the dome light switch to the OFF (center) position when finished using to prevent discharging the vehicle battery.



Dome Light

NOTE: If your vehicle is equipped with illuminated approach lights under the outside mirrors they can be turned off through the Instrument Cluster Display or the Uconnect radio. For further information refer to "Instrument Cluster Display" and "Uconnect Settings" in "Understanding Your Instrument Panel" in your owners manual on the DVD.

UNDERSTANDING YOUR INSTRUMENT PANEL

CONTENTS

■ INSTRUMENT CLUSTER DISPLAY	18	□ Vehicle Info (Customer Information Features) . . .	20
--	----	--	----

INSTRUMENT CLUSTER DISPLAY



0409024167

Instrument Cluster Display — Base



0409076652

Instrument Cluster Display — Premium
The Instrument Cluster Display features a driver-interactive display that is located in the instrument cluster.

This system allows the driver to select a variety of useful information by pushing the switches mounted on the steering wheel. The Instrument Cluster Display may consist of the following:

- Digital Speedometer
- Vehicle Info
- Fuel Economy Info
- Trip A
- Trip B
- Stop/Start Info (If Equipped)
- Trailer Tow
- Audio
- Stored Messages
- Screen Setup
- Vehicle Settings (Not Equipped with a Uconnect 5.0 & 8.4 radio)
- Settings
- Turn Menu Off

The system allows the driver to select information by pushing the following buttons mounted on the steering wheel:



040971549

Steering Wheel Buttons

- *UP Arrow Button*



Push and release the **UP** arrow button to scroll upward through the main menu and submenus (Fuel Economy, Trip A, Trip B, Audio, Stored Messages, Screen Set Up).

- *DOWN Arrow Button*

▽ Push and release the **DOWN** arrow button to scroll downward through the main menu and submenus (Fuel Economy, Trip A, Trip B, Audio, Stored Messages, Screen Set Up).

- *RIGHT Arrow Button*

▷ Push and release the **RIGHT** arrow button to access/select the information screens or submenu screens of a main menu item. Push and hold the **RIGHT** arrow button for two seconds to reset displayed/selected features that can be reset.

- *LEFT Arrow Button*

◁ Push the **LEFT** arrow button to access/select the information screens or submenu screens of a main menu item or to return to the main menu from an info screen or submenu item.

Vehicle Info (Customer Information Features)



Push and release the **UP** △ or **DOWN** ▽ arrow button until the Vehicle Info icon is highlighted in the Instrument Cluster Display. Push and release the **RIGHT** ▷ arrow button and Coolant Temp will be displayed. Push the **RIGHT** ▷ arrow button to scroll to the Engine Hour information submenu:

Engine Hours

The Engine Hours submenu will display the following:

- Idle Hours
- Drive Hours

MAINTAINING YOUR VEHICLE

CONTENTS

■ MAINTENANCE PROCEDURES22
------------------------------------	-----

MAINTENANCE PROCEDURES

Special Service vehicles are equipped with heavy-duty parts that are designed specifically for the varying demands and unique requirements under which they are operated. This booklet illustrates and describes the operation of unique features and equipment that are either standard or optional on this vehicle. A description of features and equipment no longer available, or not ordered on this vehicle, may also be included. Please disregard any features and equipment described in this manual that is not on this vehicle.

Failure to maintain your vehicle properly may reduce vehicle performance and operational capabilities, adversely affect the safety of you and your passengers, as well as restrict your warranty coverage. Refer to the "Maintenance Schedule," in the Owner's Manual, for the proper maintenance intervals.

The manufacturer reserves the right to make changes in design and specifications, and/or make additions to or improvements to its products, without imposing any obligation upon itself to install them on products previously manufactured.

INDEX

Door Locks 6

Introduction 4

Lights 16
 Dome 16

Maintenance Procedures 22

Occupant Restraints 7

INSTALLATION OF RADIO TRANSMITTING EQUIPMENT

Special design considerations are incorporated into this vehicle's electronic system to provide immunity to radio frequency signals. Mobile two-way radios and telephone equipment must be installed properly by trained personnel. The following must be observed during installation.

The positive power connection should be made directly to the battery and fused as close to the battery as possible. The negative power connection should be made to body sheet metal adjacent to the negative battery connection. This connection should not be fused.

Antennas for two-way radios should be mounted on the roof or the rear area of the vehicle. Care should be used in mounting antennas with magnet bases. Magnets may affect the accuracy or operation of the compass on vehicles so equipped.

The antenna cable should be as short as practical and routed away from the vehicle wiring when possible. Use only fully shielded coaxial cable.

Carefully match the antenna and cable to the radio to ensure a low Standing Wave Ratio (SWR).

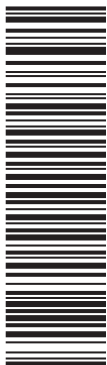
Mobile radio equipment with output power greater than normal may require special precautions.

All installations should be checked for possible interference between the communications equipment and the vehicle's electronic systems.



RAM

STICK WITH THE SPECIALISTS®



17D243-226-AA

©2016 FCA US LLC. ALL RIGHTS RESERVED.

RAM IS A REGISTERED TRADEMARK OF FCA US LLC.



**FIRST EDITION
PRINTED IN U.S.A.**