



2017

SPECIAL SERVICE SUPPLEMENT

Durango

VEHICLES SOLD IN CANADA

With respect to any Vehicles Sold in Canada, the name FCA US LLC shall be deemed to be deleted and the name FCA Canada Inc. used in substitution therefore.

DRIVING AND ALCOHOL

Drunken driving is one of the most frequent causes of accidents.

Your driving ability can be seriously impaired with blood alcohol levels far below the legal minimum. If you are drinking, don't drive. Ride with a designated non-drinking driver, call a cab, a friend, or use public transportation.

WARNING!

Driving after drinking can lead to an accident. Your perceptions are less sharp, your reflexes are slower, and your judgment is impaired when you have been drinking. Never drink and then drive.

This manual illustrates and describes the operation of features and equipment that are either standard or optional on this vehicle. This manual may also include a description of features and equipment that are no longer available or were not ordered on this vehicle. Please disregard any features and equipment described in this manual that are not on this vehicle.

FCA US LLC reserves the right to make changes in design and specifications, and/or make additions to or improvements to its products without imposing any obligation upon itself to install them on products previously manufactured.

Copyright © 2016 FCA US LLC



TABLE OF CONTENTS

SECTION

PAGE

1	INTRODUCTION	3	1
2	THINGS TO KNOW BEFORE STARTING YOUR VEHICLE	5	2
3	UNDERSTANDING THE FEATURES OF YOUR VEHICLE	19	3
4	UNDERSTANDING YOUR INSTRUMENT PANEL	21	4
5	MAINTAINING YOUR VEHICLE	25	5
6	INDEX	27	6

INTRODUCTION

CONTENTS

■ INTRODUCTION 4

INTRODUCTION

This booklet is a supplement to the Owner's Manual prepared with the assistance of service and engineering specialists, and is intended to aid the operators of police or fleet vehicles (used in severe duty, high-mileage operations) in understanding the operation and required maintenance procedures for such vehicles. It covers maintenance procedures for vehicles equipped with heavy-duty packages. However, other vehicles operated under the conditions listed below are also considered "severe service" vehicles, and should be serviced and maintained as prescribed in this booklet. You are urged to read this publication and the Owner's Manual carefully.

Refer to the Police Upfitter's Guide provided with your vehicle, prior to the addition of any aftermarket equipment.

Following the instructions and recommendations provided herein, will help assure safe and reliable operation of your vehicle. After you have read the booklet, it should be stored in the vehicle for convenient reference and remain with the vehicle when sold.

When it comes to service, remember that your authorized dealer knows your vehicle best, has factory-trained technicians and genuine MOPAR® parts, and cares about your satisfaction.

THINGS TO KNOW BEFORE STARTING YOUR VEHICLE

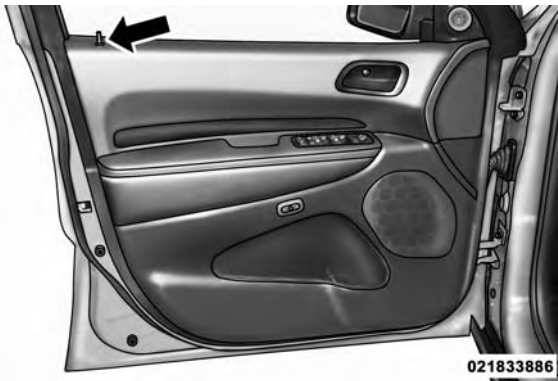
CONTENTS

■ DOOR LOCKS	6	■ KEYLESS ENTER-N-GO — PASSIVE ENTRY	7
□ Manual Door Locks	6	■ OCCUPANT RESTRAINTS	8
□ Power Door Locks	7	□ Air Bag Deployment Zones	9

DOOR LOCKS

Manual Door Locks

The power door locks can be manually locked from inside the vehicle by using the door lock knob. To lock each door, push the door lock knob on each door trim panel downward. To unlock the front doors, pull the inside door handle to the first detent. For Police vehicle, both rear passenger doors are inoperable from the rear seat position, inside of the vehicle. If the lock knob is down when the door is closed, the door will lock. Therefore, make sure the key is not inside the vehicle before closing the door.







Manual Door Lock Knob

WARNING!

- For personal security and safety in the event of an collision, lock the vehicle doors as you drive as well as when you park and leave the vehicle.
- Never leave children alone in a vehicle, or with access to an unlocked vehicle. Allowing children to be in a vehicle unattended is dangerous for a number of reasons. A child or others could be seriously or fatally injured. Children should be warned not to touch the parking brake, brake pedal or the gear selector.
- Do not leave the key fob in or near the vehicle, or in a location accessible to children, and do not leave the ignition of a vehicle equipped with Keyless Enter-N-Go in the ACC or ON/RUN mode. A child could operate power windows, other controls, or move the vehicle.

Power Door Locks

The power door lock switches   are located on each front door panel. Push the switch to lock  or unlock  the doors.



Power Door Lock Switch

If the door lock switch is pushed down when the door is closed, the door will lock. Therefore, make sure the key fob is not inside the vehicle before closing the door.

If the door lock switch is pushed while the ignition is in ACC or ON/RUN and the driver's door is open, the doors will not lock.

If a rear door is locked, it cannot be opened from inside the vehicle without first unlocking the door. The door may be unlocked manually by raising the lock knob.

Automatic Unlock On Exit Feature — If Equipped

If Auto Unlock is enabled, this feature will unlock all the doors when any door is opened if the vehicle is stopped and in PARK. Refer to "Uconnect Settings" in "Understanding Your Instrument Panel" for further information.

KEYLESS ENTER-N-GO — PASSIVE ENTRY

The Passive Entry system is an enhancement to the vehicle's Remote Keyless Entry system. This feature allows you to lock and unlock the vehicle's door(s) without having to push the key fob lock or unlock buttons.

NOTE:

- Passive Entry may be programmed ON/OFF. Refer to "Uconnect Settings" in "Understanding Your Instrument Panel" in your Owner's Manual on DVD for further information.
- If wearing gloves on your hands, or if it has been raining on the Passive Entry door handle, the unlock sensitivity can be affected, resulting in a slower response time.

8 THINGS TO KNOW BEFORE STARTING YOUR VEHICLE

- If the vehicle is unlocked by Passive Entry and no door goes ajar within 60 seconds, the vehicle will re-lock and will arm the theft alarm (if equipped).

To Unlock From The Driver's Side:

With a valid Passive Entry key fob within 5 ft (1.5 m) of the driver's door handle, grab the driver's front door handle to unlock the driver's door automatically. The interior door panel lock knob will raise when the door is unlocked.



Grabbing The Driver's Door Handle

NOTE: If "Unlock All Doors 1st Press" is programmed all doors will unlock when you grab hold of the driver's front door handle. To select between "Unlock Driver Door 1st Press" and "Unlock All Doors 1st Press," refer to "Uconnect Settings" in "Understanding Your Instrument Panel" in your Owner's Manual on DVD for further information.

To Unlock From The Passenger Side:

With a valid Passive Entry key fob within 5 ft (1.5 m) of the passenger door handle, grab the front passenger door handle to unlock only the front doors automatically. The interior door panel lock knob will raise when the door is unlocked.

The vehicle doors can also be locked by using the key fob lock button or the lock button located on the vehicle's interior door panel.

OCCUPANT RESTRAINTS

Driver/passenger air bags affect the way police equipment can be safely mounted in police vehicles.

Any surface that could come into contact with an air bag, once it has been deployed, must not damage the air bag or alter its deployment path.

The addition of the supplemental equipment (such as radios, weapons, mounting brackets, cage, etc.), must be installed such that it will not interfere or come in contact with a deploying air bag. Air bag deployment zones are described below. Sharp edges, corners or protrusions on supplemental equipment, could damage the nylon air bag material and reduce the effectiveness of the air bag during a deployment.

WARNING!

- Vehicles equipped with left and right Supplemental Side Curtain Air Bags (SABIC) must use police cages, which have been approved by the equipment manufacturer, for use in the vehicle.
- The area where the Supplemental Side Curtain Air Bags (SABIC) is located should remain free from any obstructions.
- If your vehicle is equipped with left and right Supplemental Side Curtain Air Bags (SABIC), care must be taken when installing any type of roof equipment. Drilling and installation of fasteners or other equipment that may interfere with the Supplemental Side Curtain Air Bags (SABIC) and air bag

(Continued)

WARNING! *(Continued)*

wiring harness is not permitted. Furthermore, make sure no equipment or fasteners are located in the air bag deployment zone.

- Do not place objects or mount equipment in front of the air bag module cover, or in front of the seat areas that may come in contact with a deploying air bag.
- Dash, tunnel or console mounted equipment should not be placed outside of the specified zone.
- Failure to follow these instructions could result in personal injury.

Air Bag Deployment Zones

There are four zones to be aware of:

1. Driver Air Bag Deployment Zone (Figure 1), and Driver Air Bag/Steering Wheel Specifications (Figure 2)
2. Passenger Air Bag Deployment Zone (Figure 3) and (Figure 4)
3. Supplemental Side Air Bag Inflatable Curtain (SABIC) Deployment Zone (Figure 5)
4. Supplemental Seat-Mounted Side Air Bag (SAB) Deployment Zone (Figure 6)

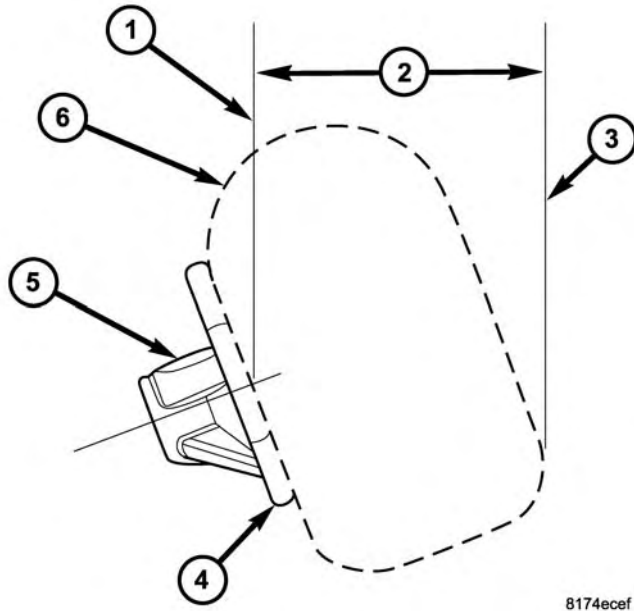


Figure 1

Figure 1 - Driver Air Bag Deployment Zone, depicts the following.

1. Vertical Plane Passing Through Center of Steering Wheel

- 2. 18.5 Inches (47 cm)
- 3. Vertical Plane Passing Through Maximum Rearward Point that the Driver Air Bag Cushion Reaches
- 4. Steering Wheel
- 5. Driver Air Bag Retainer/Housing
- 6. Driver Air Bag Cushion

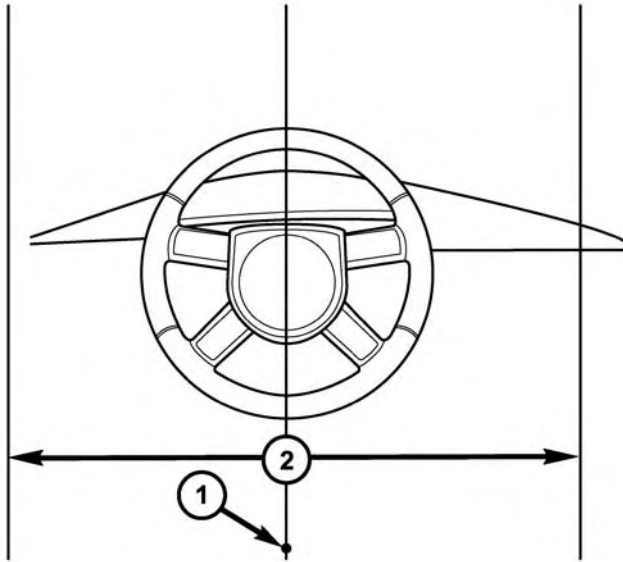
DRIVER AIR BAG/STEERING COLUMN SPECIFICATIONS

DRIVER AIR BAG CUSHION POSITION	
DAB Diameter When Deployed (Full)	26.5 Inches (67 cm)
DAB Depth When Deployed (Full)	15 Inches (38 cm)
Maximum Rearward Displacement During Deployment (Fill)	18.5 Inches (47 cm)
STEERING COLUMN TILT POSITION RANGE	
+/- 2.7 Degrees from Steering Column Tilt Pivot Point	
21.0 Degrees from Vertical is the Nominal Position	

8174ecef

Figure 2 - Driver Air Bag Lateral Deployment Zone, depicts the following.

1. Driver Seating Reference
2. Driver Air Bag Cushion Lateral Deployment Zone, 28 Inches (71 cm)



81877152

Figure 2

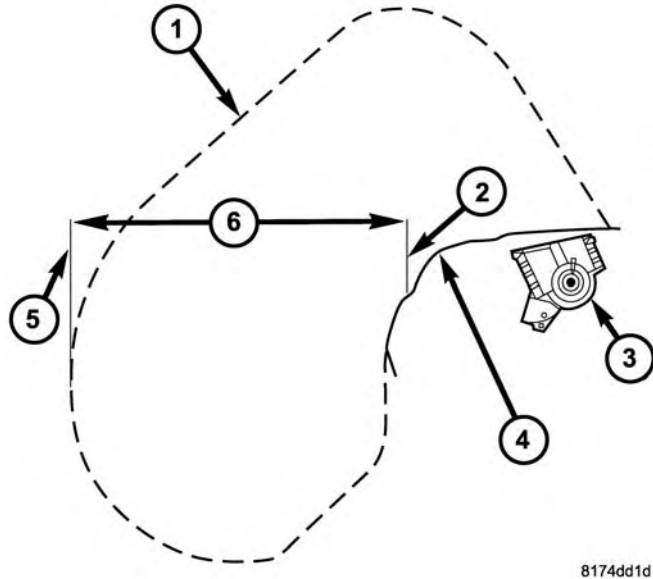


Figure 3 - Passenger Air Bag Deployment Zone, depicts the following.

1. Passenger Air Bag Cushion
2. Vertical Plane from Point of Instrument Panel
3. Passenger Air Bag Module
4. Instrument Panel
5. Vertical Plane Passing Through the Maximum Rearward Point that the Passenger Air Bag Cushion Reaches
6. 15.6 Inches (398 mm)

Figure 3

8174dd1d

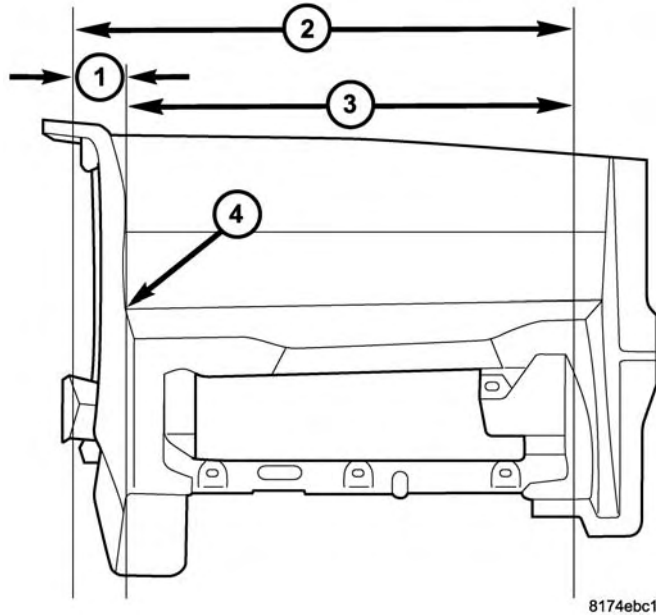
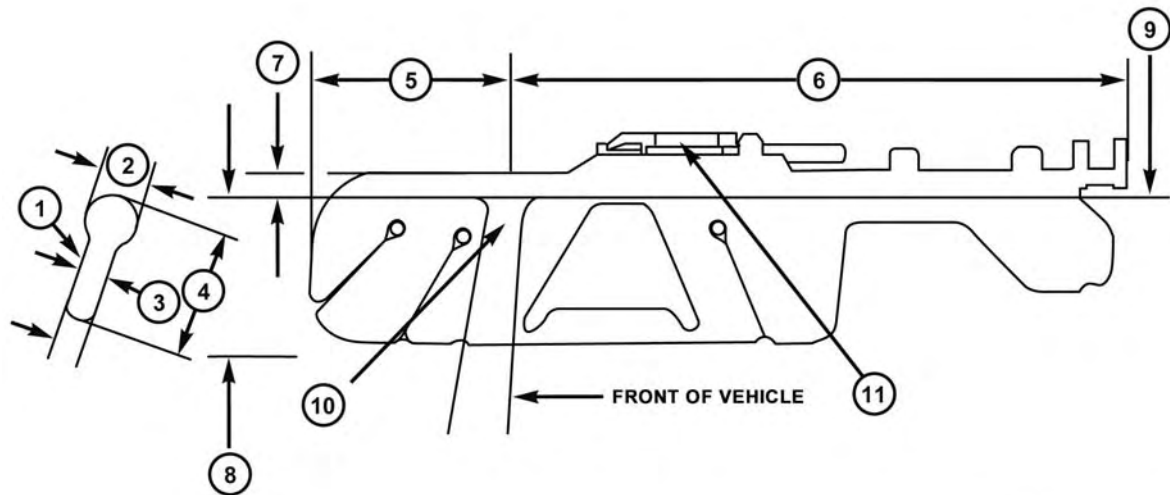


Figure 4

Figure 4 - Passenger Air Bag Lateral Deployment Zone, depicts the following.

1. 3 Inches (77 mm)
2. Passenger Air Bag Cushion Deployment Zone
3. 20 Inches (515 mm)
4. Reference Point



0226102060NA

Figure 5

Figure 5 - Supplemental Side Air Bag Inflatable Curtain Air Bag Deployment Zone, depicts the following.

1. Cross-Sectional Area Side View
2. 6.1 Inches (15.49 cm)
3. 3.1 Inches (7.87 cm)
4. 16/13 Inches (40.64/33.02 cm) (Front/Rear Inflated Zones)
5. 27.1 Inches (68.8 cm)
6. 72.1 Inches (183.2 cm)
7. 1.99 Inches (5.05 cm)
8. 18.01 Inches (45.74 cm)
9. 16.01 Inches (40.67 cm)
10. B-Pillar Trim
11. Side-Curtain Air Bag Inflator Module

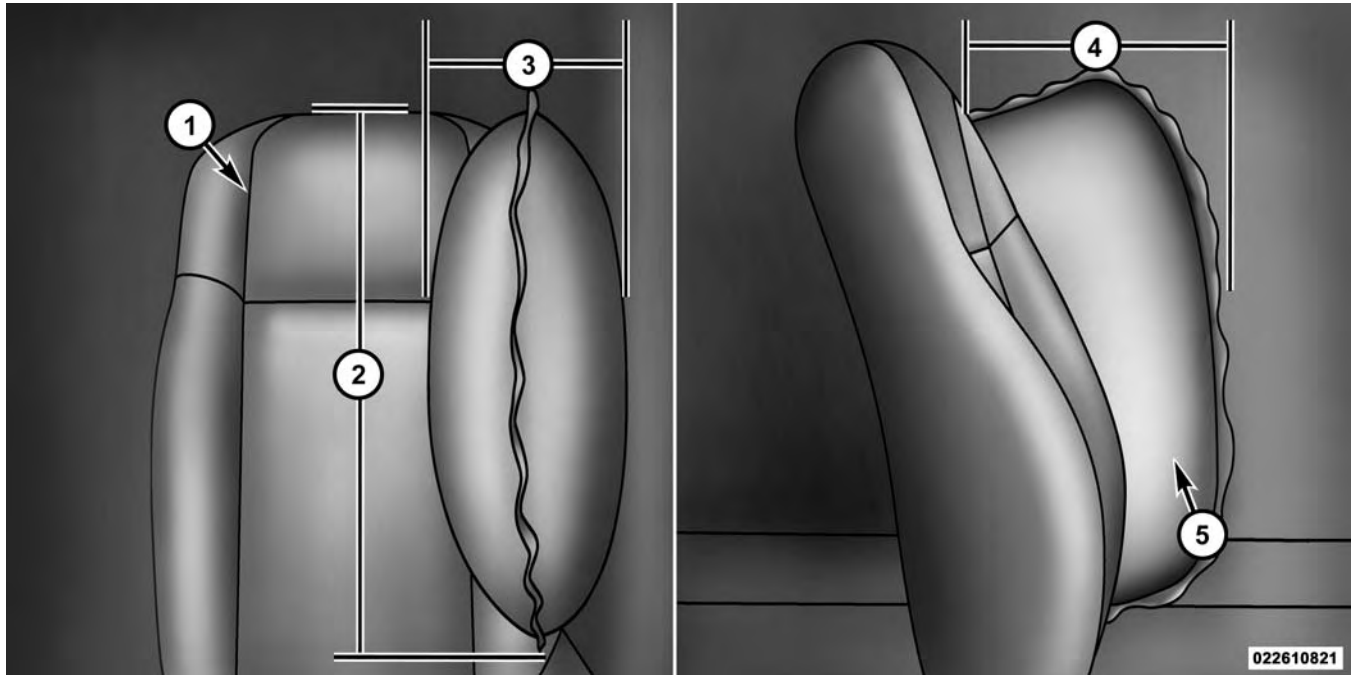


Figure 6

Figure 6 - Supplemental Seat Mounted Side Air Bag Deployment Zone, depicts the following.

1. Front Driver's Seat
2. 23.62 Inches (60.0 cm)
3. 5.51 Inches (14.0 cm)
4. 12 Inches (30.5 cm)
5. Seat-Mounted Side Air Bag

UNDERSTANDING THE FEATURES OF YOUR VEHICLE

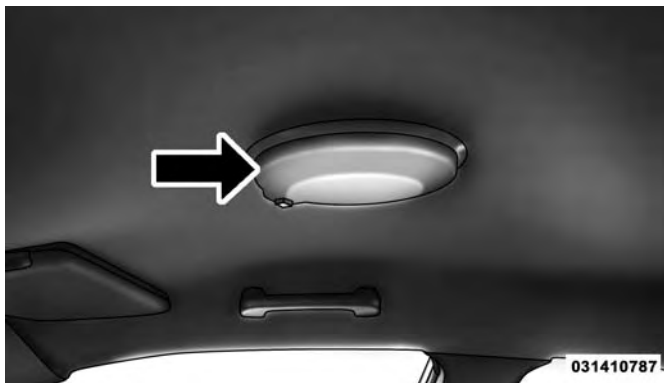
CONTENTS

■ LIGHTS20	□ Dome Light20
--------------------	-----	------------------------	-----

LIGHTS

Dome Light

The police dome light has three positions. Position one is used for white light, and position two is used for red LED light. Always remember to return the dome light switch to the OFF (center) position when finished using to prevent discharging of the vehicle battery.



Dome Light

UNDERSTANDING YOUR INSTRUMENT PANEL

CONTENTS

■ INSTRUMENT CLUSTER DISPLAY22
--	-----

INSTRUMENT CLUSTER DISPLAY

Your vehicle is equipped with an Instrument Cluster Display, which offers useful information to the driver. With the ignition in the STOP/OFF position, opening/closing of a door will activate the display for viewing, and display the total miles or kilometers in the odometer.



040973365

Instrument Cluster Display

This system conveniently allows the driver to select a variety of useful information by pushing the arrow buttons located on the left side of the steering wheel. The Instrument Cluster Display Menu Items consists of the following:

- Speedometer
- Vehicle Info
- Driver Assist — If Equipped
- Fuel Economy
- Trip
- Stop/Start — If Equipped
- Audio
- Stored Messages
- Screen Setup

The system allows the driver to select information by pushing the following buttons mounted on the steering wheel:



Instrument Cluster Display Controls

- *UP Arrow Button*



Push and release the **UP** arrow button to scroll upward through the main menu.

- *DOWN Arrow Button*



Push and release the **DOWN** arrow button to scroll downward through the main menu.

- *RIGHT Arrow Button*



Push and release the **RIGHT** arrow button to access the information screens or submenu screens of a main menu item.

- *LEFT Arrow Button*



Push and release the **LEFT** arrow button to return to the main menu from an info screen or submenu item.

- *OK Button*

Push the **OK** button to access/select the information screens or submenu screens of a main menu item. Push and hold the **OK** button for two seconds to reset displayed/selected features that can be reset.

MAINTAINING YOUR VEHICLE

CONTENTS

■ MAINTENANCE PROCEDURES26
------------------------------------	-----

MAINTENANCE PROCEDURES

Police and fleet vehicles are equipped with heavy-duty parts that are designed specifically for the varying demands and unique requirements under which they are operated. This booklet illustrates and describes the operation of unique features and equipment that are either standard or optional on this vehicle. A description of features and equipment no longer available, or not ordered on this vehicle, may also be included. Please disregard any features and equipment described in this manual that is not on this vehicle.

Failure to maintain your vehicle properly may reduce vehicle performance and operational capabilities, adversely affect the safety of you and your passengers, as well as restrict your warranty coverage. Refer to the "Maintenance Schedule" in the Owner's Manual for the proper maintenance intervals.

The manufacturer reserves the right to make changes in design and specifications, and/or make additions to or improvements to its products, without imposing any obligation upon itself to install them on products previously manufactured.

INDEX

Door Locks6
Door Locks7
Introduction4
Lights20
Dome20
Maintenance Procedures26
Occupant Restraints8
Uconnect Settings	
Customer Programmable Features7
Passive Entry Programming7

INSTALLATION OF RADIO TRANSMITTING EQUIPMENT

Special design considerations are incorporated into this vehicle's electronic system to provide immunity to radio frequency signals. Mobile two-way radios and telephone equipment must be installed properly by trained personnel. The following must be observed during installation.

The positive power connection should be made directly to the battery and fused as close to the battery as possible. The negative power connection should be made to body sheet metal adjacent to the negative battery connection. This connection should not be fused.

Antennas for two-way radios should be mounted on the roof or the rear area of the vehicle. Care should be used in mounting antennas with magnet bases. Magnets may affect the accuracy or operation of the compass on vehicles so equipped.

The antenna cable should be as short as practical and routed away from the vehicle wiring when possible. Use only fully shielded coaxial cable.

Carefully match the antenna and cable to the radio to ensure a low Standing Wave Ratio (SWR).

Mobile radio equipment with output power greater than normal may require special precautions.

All installations should be checked for possible interference between the communications equipment and the vehicle's electronic systems.



STICK WITH THE SPECIALISTS®

17WD01-226-AA
©2016 FCA US LLC. All Rights Reserved.
Dodge is a registered trademark of FCA US LLC.



First Edition
Printed in the U.S.A.