



2017

OWNER'S MANUAL  
SUPPLEMENT

---

Charger  
POLICE

## **VEHICLES SOLD IN CANADA**

With respect to any Vehicles Sold in Canada, the name FCA US LLC shall be deemed to be deleted and the name FCA Canada Inc. used in substitution therefore.

## **DRIVING AND ALCOHOL**

Drunken driving is one of the most frequent causes of accidents.

Your driving ability can be seriously impaired with blood alcohol levels far below the legal minimum. If you are drinking, don't drive. Ride with a designated non-drinking driver, call a cab, a friend, or use public transportation.

### **WARNING!**

**Driving after drinking can lead to an accident. Your perceptions are less sharp, your reflexes are slower, and your judgment is impaired when you have been drinking. Never drink and then drive.**

This manual illustrates and describes the operation of features and equipment that are either standard or optional on this vehicle. This manual may also include a description of features and equipment that are no longer available or were not ordered on this vehicle. Please disregard any features and equipment described in this manual that are not on this vehicle.

FCA US LLC reserves the right to make changes in design and specifications, and/or make additions to or improvements to its products without imposing any obligation upon itself to install them on products previously manufactured.

Copyright © 2016 FCA US LLC



# TABLE OF CONTENTS

## SECTION

## PAGE

1	INTRODUCTION .....	3	1
2	THINGS TO KNOW BEFORE STARTING YOUR VEHICLE .....	5	2
3	UNDERSTANDING THE FEATURES OF YOUR VEHICLE .....	15	3
4	UNDERSTANDING YOUR INSTRUMENT PANEL .....	23	4
5	STARTING AND OPERATING .....	37	5
6	WHAT TO DO IN EMERGENCIES .....	51	6
7	MAINTAINING YOUR VEHICLE .....	65	7
8	MAINTENANCE SCHEDULE .....	73	8
9	INDEX .....	77	9



---

# INTRODUCTION

## CONTENTS

---

■ INTRODUCTION . . . . .	4
--------------------------	---

### INTRODUCTION

This booklet is a supplement to the Owner's Manual, prepared with the assistance of service and engineering specialists, and is intended to aid the operators of police or fleet vehicles (used in severe duty, high-mileage operations) in understanding the operation and required maintenance procedures for such vehicles. It covers maintenance procedures for vehicles equipped with heavy-duty packages. However, other vehicles operated under the conditions listed below are also considered "severe service" vehicles, and should be serviced and maintained as prescribed in this booklet. You are urged to read this publication and the Owner's Manual carefully.

Refer to the Police Upfitter's Guide located at [www.fleet.chrysler.com](http://www.fleet.chrysler.com), prior to the addition of any after-market equipment.

Following the instructions and recommendations provided herein, will help assure safe and reliable operation of your vehicle. After you have read the booklet, it should be stored in the vehicle for convenient reference and remain with the vehicle when sold.

When it comes to service, remember that your authorized dealer knows your vehicle best, has factory-trained technicians and genuine MOPAR® parts, and cares about your satisfaction.

# THINGS TO KNOW BEFORE STARTING YOUR VEHICLE

## CONTENTS

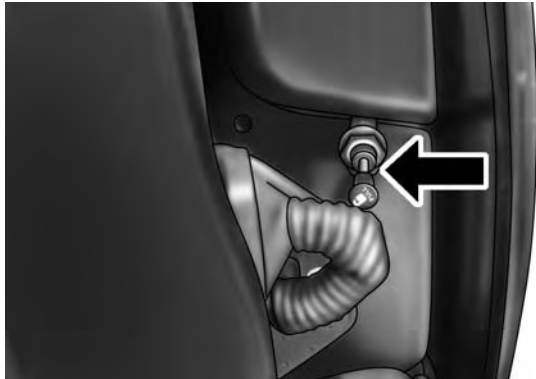
---

■ DOOR LOCKS . . . . .	.6	■ OCCUPANT RESTRAINTS . . . . .	.6
□ Modified Rear Door – Locks, Levers, And Window Switches — If Equipped . . . . .	.6	□ Air Bag Deployment Zones . . . . .	.7

## DOOR LOCKS

### Modified Rear Door – Locks, Levers, And Window Switches — If Equipped

The emergency rear door lock knob is located on the front portion of each rear door panel, visible when the front door is opened. Pull the knob out to unlock the door. The rear doors can be locked from the outside of the vehicle by pushing the knob in.



023310788

Emergency Door Lock Knob

Both rear passenger doors are inoperable from the rear seat position, inside of the vehicle. There are three ways to operate the rear door locks:

- The emergency rear door lock knob on the front portion of each rear door panel
- Either front door lock switch
- The key fob

The rear windows are inoperable from the rear door switches. Rear windows are only operable by the driver door master switch.

## OCCUPANT RESTRAINTS

Driver/passenger air bags affect the way police equipment can be safely mounted in police vehicles.

Any surface that could come into contact with an air bag, once it has been deployed, must not damage the air bag or alter its deployment path.

The addition of the supplemental equipment (such as radios, weapons, mounting brackets, cage, etc.), must be installed such that it will not interfere or come in contact



with a deploying air bag. Air bag deployment zones are described below. Sharp edges, corners or protrusions on supplemental equipment could damage the nylon air bag material and reduce the effectiveness of the air bag during a deployment.

### WARNING!

- Vehicles equipped with left and right Supplemental Side Air Bag Inflatable Curtains (SABIC) must use police cages, which have been approved by the equipment manufacturer, for use in the vehicle.
- The area where the Supplemental Side Air Bag Inflatable Curtains (SABIC) is located should remain free from any obstructions.
- If your vehicle is equipped with left and right Supplemental Side Curtain Air Bags (SABIC), care must be taken when installing any type of roof equipment. Drilling and installation of fasteners or other equipment that may interfere with the Supplemental Side Air Bag Inflatable Curtains (SABIC) and air bag wiring harness is not permitted. Furthermore, make sure no equipment or fasteners are located in the air bag deployment zone.

*(Continued)*

### WARNING! *(Continued)*

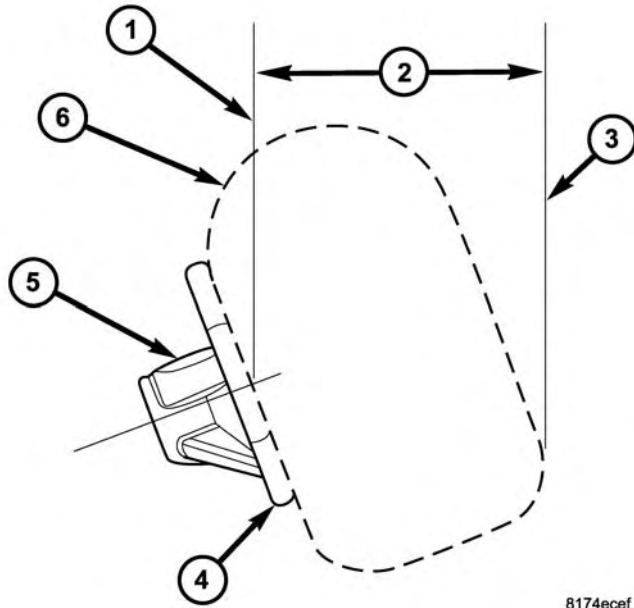
- Do not place objects or mount equipment in front of the air bag module cover, or in front of the seat areas that may come in contact with a deploying air bag.
- Dash, tunnel or console mounted equipment should not be placed outside of the specified zone.
- Failure to follow these instructions could result in personal injury.

2

### Air Bag Deployment Zones

There are four zones to be aware of:

1. Driver Air Bag Deployment Zone (Figure 1), and Driver Air Bag/Steering Wheel Specifications (Figure 2)
2. Passenger Air Bag Deployment Zone (Figure 3) and Passenger Air Bag Lateral Deployment Zone (Figure 4)
3. Supplemental Side Air Bag Inflatable Curtain (SABIC) Deployment Zone (Figure 5)
4. Supplemental Seat-Mounted Side Air Bag (SAB) Deployment Zone (Figure 6)



8174ecef

Figure 1

Figure 1 - Driver Air Bag Deployment Zone, depicts the following:

1. Vertical Plane Passing Through Center of Steering Wheel
2. 18.5 Inches (47 cm)
3. Vertical Plane Passing Through Maximum Rearward Point that the Driver Air Bag Cushion Reaches
4. Steering Wheel
5. Driver Air Bag Retainer/Housing
6. Driver Air Bag Cushion

**DRIVER AIR BAG/STEERING COLUMN SPECIFICATIONS**

DRIVER AIR BAG CUSHION POSITION	
DAB Diameter When Deployed (Full)	26.5 Inches (67 cm)
DAB Depth When Deployed (Full)	15 Inches (38 cm)
Maximum Rearward Displacement During Deployment (Fill)	18.5 Inches (47 cm)
STEERING COLUMN TILT POSITION RANGE	
+/- 2.7 Degrees from Steering Column Tilt Pivot Point	
21.0 Degrees from Vertical is the Nominal Position	

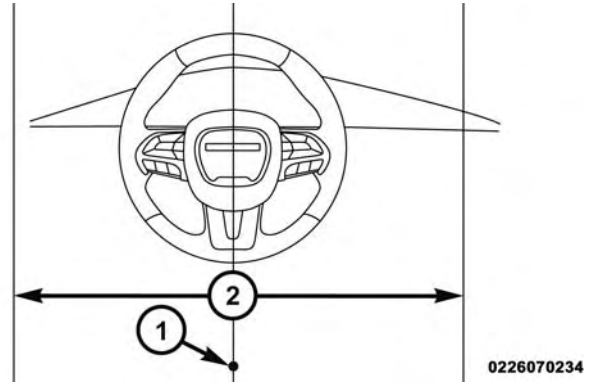


Figure 2

Figure 2 - Driver Air Bag Lateral Deployment Zone, depicts the following:

1. Driver Seating Reference
2. Driver Air Bag Cushion Lateral Deployment Zone, 28 Inches (71 cm)

0226070234

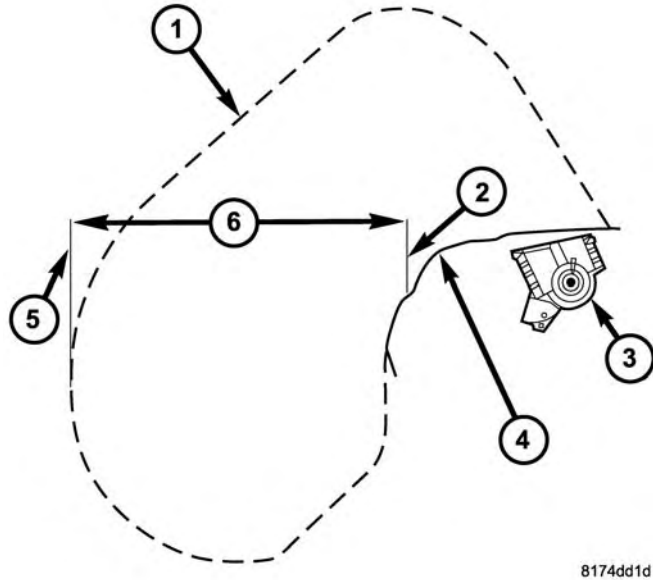


Figure 3

Figure 3 - Passenger Air Bag Deployment Zone, depicts the following:

1. Passenger Air Bag Cushion
2. Vertical Plane from Point of Instrument Panel
3. Passenger Air Bag Module
4. Instrument Panel
5. Vertical Plane Passing Through the Maximum Rearward Point that the Passenger Air Bag Cushion Reaches
6. 18.5 Inches (47 cm)

8174dd1d

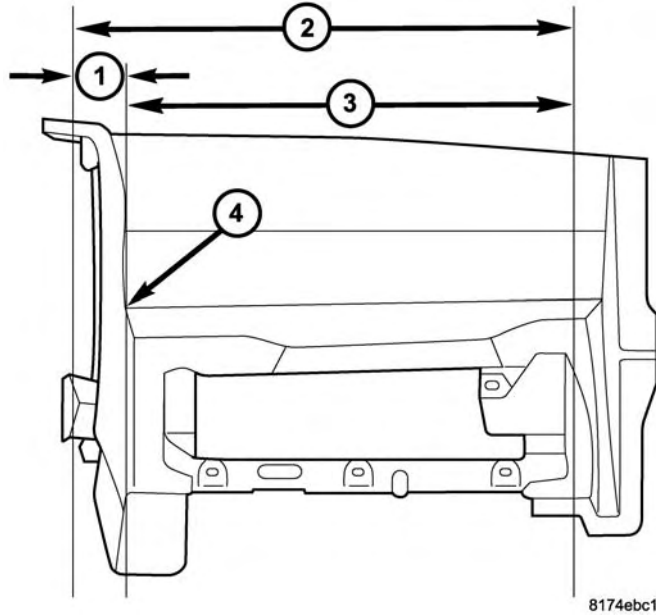
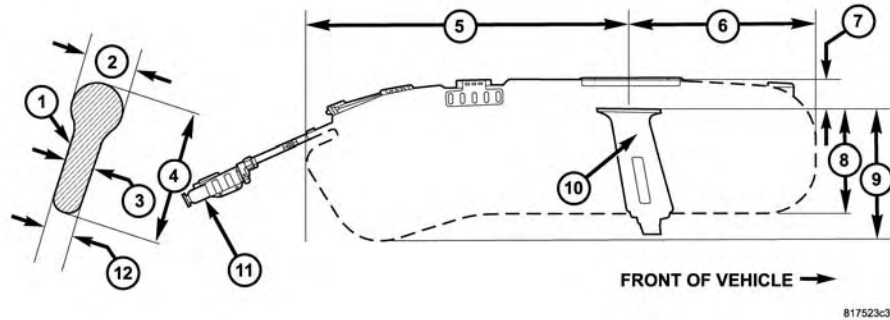


Figure 4

Figure 4 - Passenger Air Bag Lateral Deployment Zone, depicts the following:

1. 2.75 Inches (7 cm)
2. Passenger Air Bag Cushion Deployment Zone
3. 20 Inches (52 cm)
4. Reference Point

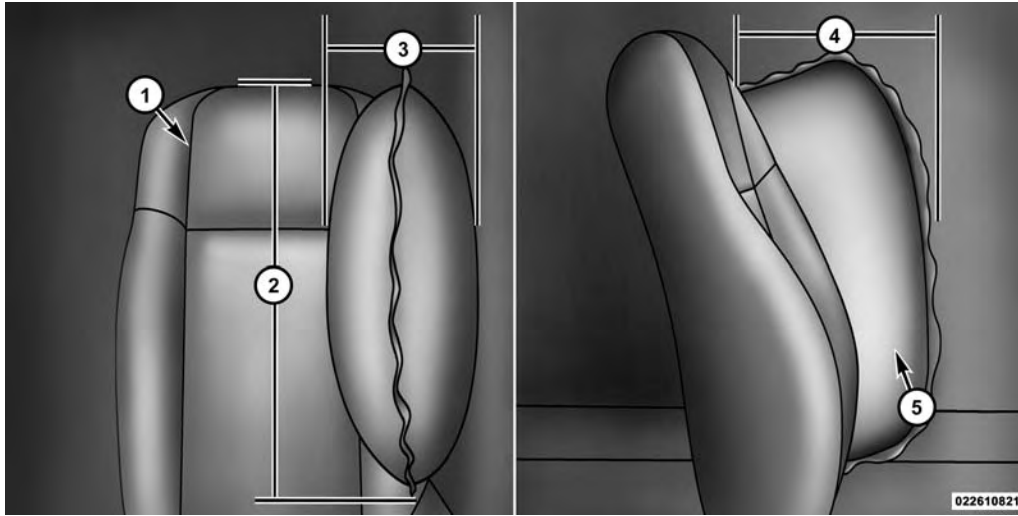


**Figure 5**

Figure 5 - Supplemental Side Air Bag Inflatable Curtain Air Bag Deployment Zone, depicts the following:

- |                                   |  |
|-----------------------------------|--|
| 1. Cross-Sectional Area Side View | 6. 22 Inches (55.88 cm)                  |
| 2. 6.1 Inches (15.49 cm)          | 7. 3.6 Inches (9.14 cm)                  |
| 3. 3.1 Inches (7.87 cm)           | 8. 12.2 Inches (30.98 cm)                |
| 4. 15.8 Inches (40.13 cm)         | 9. 15.3 Inches (38.86 cm)                |
| 5. 38.2 Inches (97.02 cm)         | 10. B-Pillar Trim                        |
|                                   | 11. Side-Curtain Air Bag Inflator Module |
|                                   | 12. 3.5 Inches (8.89 cm)                 |

817523c3



**Figure 6**

Figure 6 - Supplemental Seat Mounted Side Air Bag Deployment Zone, depicts the following:

- 1. Front Driver's Seat
- 2. 17.7 Inches (45 cm)

- 3. 7.87 Inches (20 cm)
- 4. 7.87 Inches (20 cm)
- 5. Seat-Mounted Air Bag





# UNDERSTANDING THE FEATURES OF YOUR VEHICLE

## CONTENTS

---

■ LIGHTS . . . . .	16	■ ADJUSTABLE PEDALS — IF EQUIPPED . . . . .	18
□ Stealth Mode . . . . .	16	■ ELECTRICAL POWER OUTLETS . . . . .	19
□ Spot Lights — If Equipped . . . . .	17	■ CONSOLE FEATURES . . . . .	22
□ Dome Light . . . . .	17	□ Equipment Mounting Bracket — If Equipped . . . . .	22

## LIGHTS

### Stealth Mode

This vehicle is designed for periods of surveillance. The dimmer control is located next to the headlight switch, and is located on the left side of the instrument panel. By rotating the dimmer control downward to the extreme off position, "stealth mode" is enabled. All interior illumination except for the instrument cluster display, backlighting for the door switches, and the vehicle's critical warning indicators will be eliminated. The instrument cluster display and the warning indicators will go to the lowest legal limit.

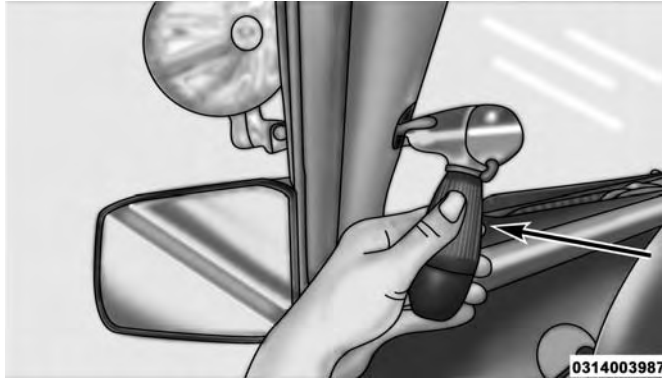


### Dimmer Switch

The courtesy (interior) lights are disabled when opening the door, and will operate only by rolling the headlight dimmer switch to the fully upward (detent) position, or by pushing each map light individually.

### Spot Lights — If Equipped

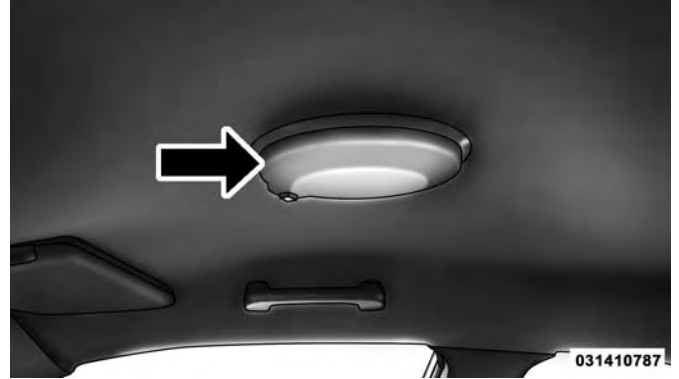
This vehicle may be equipped with up to two spotlights. Each spotlight is attached to the A-Pillar. The spotlight switch is located on the chrome section of the handle. Use this switch to turn on and turn off the spotlight. Rotate and twist the handle to adjust the position of the spotlight.



Spotlight Control

### Dome Light

The police dome light has three positions. Position one is used for white light, and position two is used for red LED light. Always remember to return the dome light switch to the off position (center) when finished using to prevent discharging of the vehicle battery.

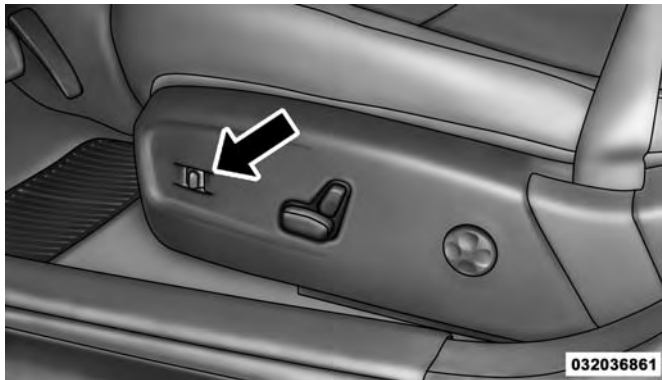


Dome Light

## ADJUSTABLE PEDALS — IF EQUIPPED

The adjustable pedals system is designed to allow a greater range of driver comfort for steering wheel tilt and seat position. If your vehicle is equipped with this feature, it will allow you to adjust the brake and accelerator pedals toward or away from the driver to provide improved position with the steering wheel.

The switch is located on the front side of the driver's seat cushion side shield.



Adjustable Pedals Switch

Push the switch forward to move the pedals forward (toward the front of the vehicle).

Push the switch rearward to move the pedals rearward (toward the driver).

- The pedals can be adjusted with the ignition OFF.
- The pedals **cannot** be adjusted when the vehicle is in REVERSE or when the Speed Control System is on. The following messages will be displayed on vehicles equipped with the instrument cluster display if the pedals are attempted to be adjusted when the system is locked out (“Adjustable Pedal Disabled — Cruise Control Engaged” or “Adjustable Pedal Disabled — Vehicle In Reverse”).

### NOTE:

- Always adjust the pedals to a position that allows full pedal travel.
- Further small adjustments may be necessary to find the best possible seat/pedal position.

### WARNING!

Do not adjust the pedals while the vehicle is moving. You could lose control and have an accident. Always adjust the pedals while the vehicle is parked.

**CAUTION!**

Do not place any article under the adjustable pedals or impede its ability to move as it may cause damage to the pedal controls. Pedal travel may become limited if movement is stopped by an obstruction in the adjustable pedal's path.

**ELECTRICAL POWER OUTLETS**

Your vehicle may be equipped with a 12 Volt (13 Amp) power outlet on the instrument panel and one 12 Volt (10 Amp) power outlet in the center console that can be used to power cellular phones, small electronics and other low powered electrical accessories. The power outlets are labeled with either a "key" or a "battery" symbol to indicate how the outlet is powered. Power outlets labeled with a "key" are powered when the ignition switch is in the ON or ACC position, while the outlets labeled with a "battery" are connected directly to the battery and powered at all times.

**NOTE:**

- All accessories connected to the "battery" powered outlets should be removed or turned off when the vehicle is not in use to protect the battery against discharge.
- To ensure proper cigar lighter operation, a MOPAR knob and element must be used.

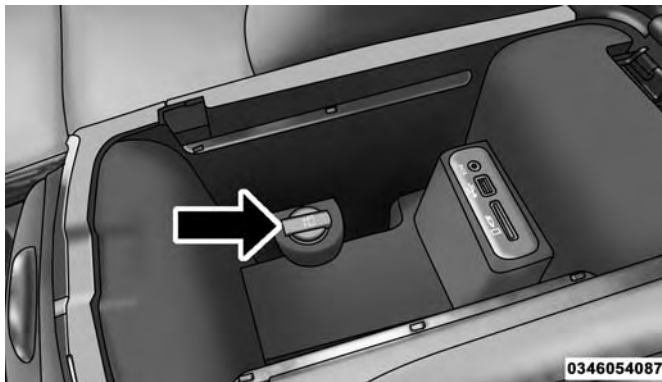
The front power outlet is located inside the storage area on the center stack of the instrument panel.

**WARNING!**

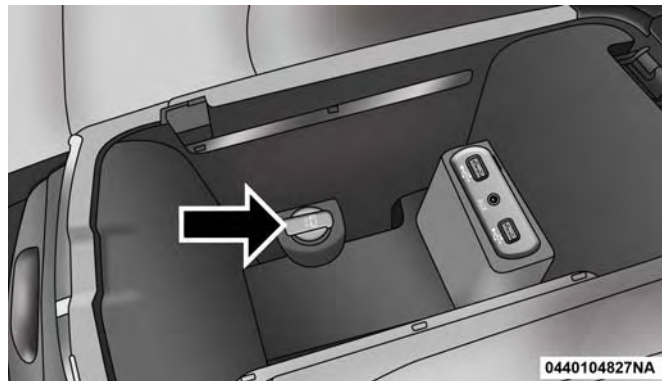
Do not place ashes inside the cubby bin located on the center console on vehicles not equipped with the ash receiver tray. A fire leading to bodily injury could result.

## 20 UNDERSTANDING THE FEATURES OF YOUR VEHICLE

In addition to the front power outlet, there is also a power outlet located in the storage area of the center console.

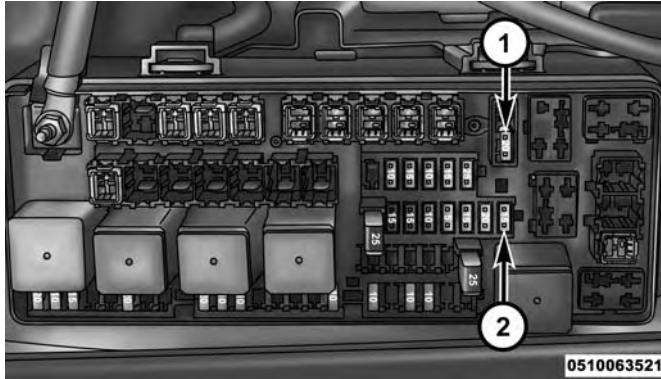


**Center Console Power Outlet – Street Appearance Console  
Shown with SD Card Media Hub (If Equipped)**



**Center Console Power Outlet – Street Appearance Console  
Shown with 2nd USB Port Media Hub (If Equipped)**

**NOTE:** If the Media Hub is in use, do not exceed the maximum power of 100 Watts (8 Amps) for the center console power outlet. When the Media Hub is not in use, the outlet can deliver up to 160 Watts (13 Amps). If the power rating is exceeded, the fuse protecting the system will need to be replaced.



### Power Outlet Fuse Locations

1 — #12 Fuse 20 Amp Yellow Instrument Panel Power Outlet/Dual USB Charge Only Ports

2 — #38 Fuse 20 Amp Yellow Center Console Power Outlet/Media Hub

**NOTE:** The instrument panel power outlet and dual rear console USB ports can be changed to “battery” powered all the time by moving the #12 20 Amp fuse from “IGN” to “B+”. Refer to “Rear Power Distribution Center ” in “Fuses” in your Owner’s Manual for further information.

### WARNING!

To avoid serious injury or death:

- Only devices designed for use in this type of outlet should be inserted into any 12 Volt outlet.
- Do not touch with wet hands.
- Close the lid when not in use and while driving the vehicle.
- If this outlet is mishandled, it may cause an electric shock and failure.

3

### CAUTION!

- Many accessories that can be plugged in draw power from the vehicle’s battery even when not in use (i.e., cellular phones, etc.). Eventually, if plugged in long enough, the vehicle’s battery will discharge sufficiently to degrade battery life and/or prevent the engine from starting.
- Accessories that draw higher power (i.e., coolers, vacuum cleaners, lights, etc.) will degrade the battery even more quickly. Only use these intermittently and with greater caution.

(Continued)

**CAUTION!** *(Continued)*

- After the use of high power draw accessories or long periods of the vehicle not being started (with accessories still plugged in), the vehicle must be driven a sufficient length of time to allow the alternator to recharge the vehicle's battery.
- Power outlets are designed for accessory plugs only. Do not hang any type of accessory or accessory bracket from the plug. Improper use of the power outlet can cause damage.

**CONSOLE FEATURES****Equipment Mounting Bracket — If Equipped**

The equipment mounting bracket is located between the driver's and front passenger's seat. Refer to the Police Upfitter's Guide for details.



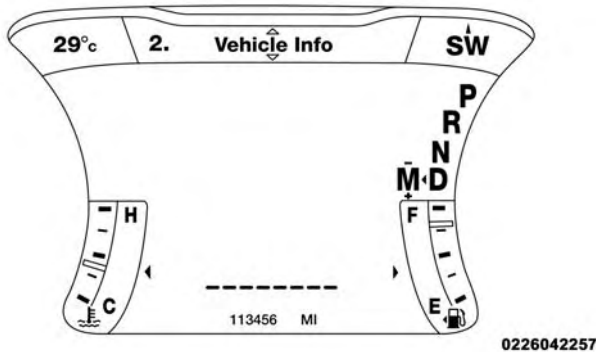
# UNDERSTANDING YOUR INSTRUMENT PANEL

## CONTENTS

■ INSTRUMENT CLUSTER DISPLAY . . . . .	24	□ AUX 4 Button . . . . .	32
□ Hour Meter . . . . .	26	□ AUX Steering Wheel Buttons . . . . .	32
■ CYBERSECURITY . . . . .	26	□ Audio Cable . . . . .	33
■ UCONNECT 12.1 INCH SCREEN SETUP INSTRUCTIONS . . . . .	27	□ Back Up Camera — If Equipped . . . . .	33
□ Ethernet & AUX-In Cable . . . . .	28	■ UCONNECT 12.1 INCH SHUTDOWN INSTRUCTIONS . . . . .	33
□ USB Keyboard Connection Point . . . . .	28	■ DISABLING COMPUTER FUNCTION PRIOR TO SALE OF UCONNECT 12.1 SCREEN EQUIPPED VEHICLE TO A NON-GOVERNMENT OR NON-LAW ENFORCEMENT ENTITY . . . . .	33
■ UCONNECT 12.1 INCH OPERATING INSTRUCTIONS . . . . .	30	■ PRODUCT AGREEMENT . . . . .	34
□ Uconnect 12.1 Inch Touchscreen . . . . .	30	■ USB/AUX CONTROLS — IF EQUIPPED . . . . .	34
□ Uconnect Button . . . . .	31		
□ PC 1 And PC 2 Buttons . . . . .	32		
□ Screen Off Button . . . . .	32		

## INSTRUMENT CLUSTER DISPLAY

The instrument cluster display features an interactive display which is located in the instrument cluster.



### Instrument Cluster Display

This system conveniently allows the driver to select a variety of useful information by pushing the arrow buttons located on the left side of the steering wheel. The instrument cluster display menu items consist of the following:

- Speedometer
- Vehicle Info
- Performance — If Equipped

- Fuel Economy
- Trip
- Audio
- Messages
- Screen Setup
- Diagnostics — If Equipped

The system allows the driver to select information by pushing the following buttons mounted on the steering wheel:



Instrument Cluster Display Controls

**Up And Down Arrow Buttons:**

Using the **up** or **down** arrow button allows you to cycle through the Main Menu Items.



Changes the Main Screen area and Menu Title area.

**Left And Right Arrow Buttons:**

Using the **left** or **right** arrow button allows you to cycle through the submenu items of the Main menu item.

**NOTE:**

- Holding the **up** or **down** or **left** or **right** arrow button will loop the user through the currently selected menu or options presented on the screen.
- Main menu and submenu's wrap for continuous scrolling.
- Upon returning to a main menu, the last submenu screen viewed within that main menu will be displayed.

**OK Button:**

For Digital Speedometer

- Pushing the **OK** button changes units (MPH or km/h).

For Screen Setup and Vehicle Settings:

- **OK** button allows user to enter menu and submenus.
- Within each submenu layer, the up/down arrows will allow the user to select the item of interest.
- Pushing the **OK** button makes the selection and a confirmation screen will appear (returning the user to the 1st page of the submenu).
- Pushing the **left** arrow button will exit each submenu layer and return to the main menu.

For the Trip and Fuel Economy menus (and new Performance Timers):

- Information is reset by pushing and holding the **OK** button.

## Hour Meter

1. With the engine running, push the **up** or **down** arrow buttons to scroll through the screens until you reach the Vehicle Info menu screen.
2. Push the **right** arrow button to enter the Vehicle Info submenu until you reach the Engine Hours submenu screen.

## CYBERSECURITY

Your vehicle may be a connected vehicle and may be equipped with both wired and wireless networks. These networks allow your vehicle to send and receive information. This information allows systems and features in your vehicle to function properly.

Your vehicle may be equipped with certain security features to reduce the risk of unauthorized and unlawful access to vehicle systems and wireless communications. Vehicle software technology continues to evolve over time and FCA US LLC, working with its suppliers, evaluates and takes appropriate steps as needed. Similar to a computer or other devices, your vehicle may require software updates to improve the usability and performance of your systems or to reduce the potential risk of unauthorized and unlawful access to your vehicle systems.

The risk of unauthorized and unlawful access to your vehicle systems may still exist, even if the most recent version of vehicle software (such as Uconnect software) is installed.

### WARNING!

- It is not possible to know or to predict all of the possible outcomes if your vehicle's systems are breached. It may be possible that vehicle systems, including safety related systems, could be impaired or a loss of vehicle control could occur that may result in an accident involving serious injury or death.
- **ONLY** insert media (e.g., USB, SD card, or CD) into your vehicle if it came from a trusted source. Media of unknown origin could possibly contain malicious software, and if installed in your vehicle, it may increase the possibility for vehicle systems to be breached.
- As always, if you experience unusual vehicle behavior, take your vehicle to your nearest authorized dealer immediately.

**NOTE:**

- FCA or your dealer may contact you directly regarding software updates.
- To help further improve vehicle security and minimize the potential risk of a security breach, vehicle owners should:
  - Routinely check [www.driveuconnect.com/software-update](http://www.driveuconnect.com/software-update) to learn about available Uconnect software updates.
  - Only connect and use trusted media devices (e.g. personal mobile phones, USBs, CDs).

Privacy of any wireless and wired communications cannot be assured. Third parties may unlawfully intercept information and private communications without your consent. For further information, refer to “Privacy Practices – If Equipped with Uconnect 8.4 radio” in “Uconnect + SiriusXM Guardian” in your Uconnect Owner’s Manual Supplement and “Onboard Diagnostic System (OBD II) Cybersecurity” in “Maintaining Your Vehicle” in your Owner’s Manual on the DVD.

**UCONNECT 12.1 INCH SCREEN SETUP INSTRUCTIONS**

In order to start using the Uconnect 12.1” PC display, you will need to download and install the RealVNC version 5.2.3 Installer onto your PC. Please refer to the RealVNC site located at <http://www.realvnc.com/download/vnc/> for further information.

**Firewalls**

How do I allow connections through my firewall? You may refer to the RealVNC site support at <https://support.realvnc.com/Knowledgebase/Article/View/269/12/how-do-i-allow-connections-through-my-firewall> for further information.

**License Keys**

License Keys can be obtained by referring to the Police Upfitter’s Guide located at [www.fleet.chrysler.com](http://www.fleet.chrysler.com) for further information.

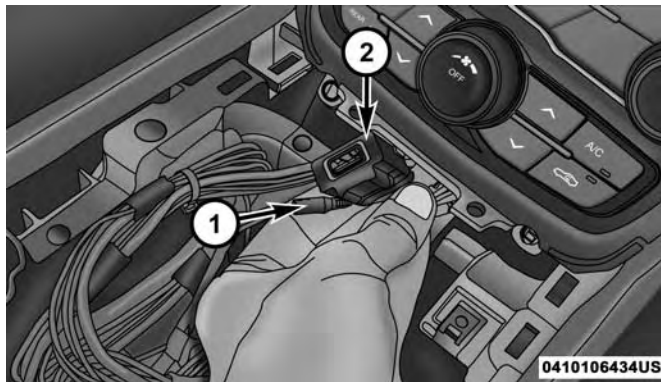
## Ethernet & AUX-In Cable

The ethernet and AUX-In cables are located in the trunk. They are located on the right side of the trunk area behind the interior trim or coiled up and laying on the optional Mopar Trunk Tray and will need to be plugged into a PC in order for the system to detect one or two PC's. Once connected, place the ignition in the ON position.

The PC screen should now be showing on the touchscreen.

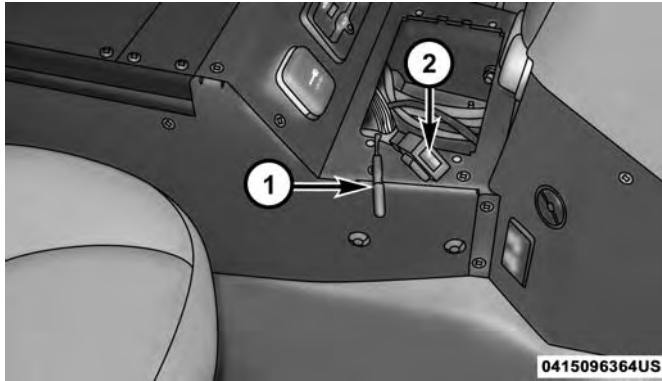
**NOTE:** Make sure your PC is powered up and plugged into a power source to maintain the battery charge.

## USB Keyboard Connection Point



USB Keyboard/AUX-In Connection Point – Street Appearance Console Shown

- 1 — AUX-In Cable
- 2 — USB Keyboard Connection



**USB Keyboard/AUX-In Connection Point – Example  
Aftermarket Console Shown**

- 1 — AUX-In Cable  
2 — USB Keyboard Connection



**USB Keyboard/AUX-In Connection Point – Mini Console  
Shown**

- 1 — AUX-In Cable  
2 — USB Keyboard Connection

Under the console is a USB port that will allow you to connect a wireless or wired, keyboard or mouse and an AUX cable (female end) that will allow you to hear dispatch audio simply by connecting the laptop to the audio cable located in the trunk. Refer to the “Audio Cable” section within Chapter for further information on connection the AUX-In cable to the laptop.

**NOTE:** Removal and installation of console pieces is required to access the USB port and AUX-In cable (female end) for each of the three different consoles available.

## UCONNECT 12.1 INCH OPERATING INSTRUCTIONS

### Uconnect 12.1 Inch Touchscreen



**Split Touchscreen**

When viewing the touchscreen, applications are split into top “Uconnect screen” and bottom “PC display” sections.

0101089870US



**Full Touchscreen**

When viewing full screen, the top menu bar will always show HVAC climate controls, time, outside temperature and compass direction, as well as buttons available and status.



## Touchscreen

- Do NOT attach any object to the touchscreen, doing so can result in damage to the touchscreen.
- Do not press the screen with any hard or sharp objects (pen, USB stick, jewelry, etc.) which could scratch the touchscreen surface!
- Do not spray any liquid or caustic chemicals directly on the screen! Use a clean and dry micro fiber lens cleaning cloth in order to clean the touchscreen.
- If necessary, use a lint-free cloth dampened with a cleaning solution, such as isopropyl alcohol, or an isopropyl alcohol and water solution ratio of 50:50. Be sure to follow the solvent manufacturer's precautions and directions.

**NOTE:** It may be necessary to rotate the PC screen to fit the touchscreen and can be done by holding the CNTL and ALT keys at the same time and push the arrow key(s) on the PC until the screen fills the touchscreen.

## Uconnect Button



**Touchscreen Buttons**

- 1 — AUX 4 Button
- 2 — Uconnect Button
- 3 — PC 1 Button
- 4 — PC 2 Button
- 5 — Screen Off Button

Press the Uconnect button on the touchscreen to toggle between split screen view and full screen view.

### PC 1 And PC 2 Buttons

These touchscreen buttons will automatically highlight once one or two active PC's are detected. Press the desired button to toggle between PC 1 and PC 2. In order for two PC's to be accommodated, you must supply your own router connected to the ethernet cable. PC 1 and PC 2 are determined by which PC connection is detected first. When PC 1 is disconnected, PC 2 will remain as PC 2 until the system or vehicle is restarted.

#### NOTE:

- In order for two PC's to display correctly on the screen a network switch needs to be supplied, not a Network Hub. The vehicle's ethernet cable and both PC's need to be connected through the network switch.
- Refer to router instructions for installation and set up instructions.

### Screen Off Button

Press this touchscreen button to turn the screen on and off for blackout or night time surveillance missions.

### AUX 4 Button

The AUX 4 button operates the same as the steering wheel AUX 1, 2, or 3 buttons only from the touchscreen. Please

refer to the Police Upfitter's Guide located at [www.fleet.chrysler.com](http://www.fleet.chrysler.com) for further information on using AUX 4.

### AUX Steering Wheel Buttons



#### AUX Steering Wheel Buttons

Push the AUX buttons on the steering wheel for AUX 1, 2, or 3. These switches provide an input to the Vehicle Systems Interface Module (VSIM) providing a 12V digital output (low current) to the upfitter connector, mounted under the center console.

## Audio Cable

A Male-to-Male AUX cable is available in the glove box that can be installed to connect the vehicle AUX-In cable (female end) from the console to the 3.5mm AUX jack on the radio to hear dispatch audio through the vehicles sound system.

## Back Up Camera — If Equipped

The Back Up Camera will be displayed in the top screen (Uconnect screen) regardless if the user is in full screen or split screen view and will display and stream live video while the vehicle is in REVERSE. When the vehicle exits REVERSE, the previous application will be shown in the top screen. Refer to “Parkview Rear Back Up Camera — If Equipped” in “Understanding The Features Of Your Vehicle” in the Owner’s Manual for further information.

**NOTE:** The backup camera will always be displayed whenever the gear selector is put into REVERSE while in any screen. It will turn off when the gear selector is put into in the PARK or DRIVE positions.

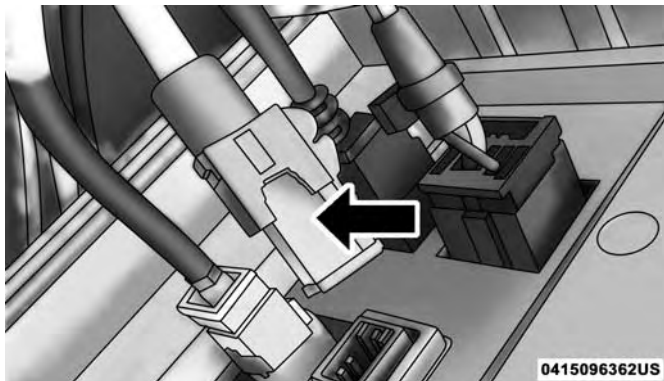
## UCONNECT 12.1 INCH SHUTDOWN INSTRUCTIONS

To turn the screen off, the PC needs to be turned off or put into sleep mode. The screen will stay on as long as there is either an active PC connection or the Uconnect radio stays on.

## DISABLING COMPUTER FUNCTION PRIOR TO SALE OF UCONNECT 12.1 SCREEN EQUIPPED VEHICLE TO A NON-GOVERNMENT OR NON-LAW ENFORCEMENT ENTITY

Before the vehicle is sold to a non-government or non-law enforcement entity, the ability of the Uconnect 12.1 screen to connect to a computer must be disabled. To do this, please follow the steps below:

1. Disconnect the Ethernet cable from the 12.1 screen.



**Ethernet Cable Disconnected From 12.1 Screen**

2. Cut the connectors off at the screen and computer ends of the Ethernet cable.
3. Dispose of the connectors.

The will allow the 12.1 screen to function as a normal radio display but not allow a computer to connect to it.

## PRODUCT AGREEMENT

### Software

This product contains software license under GNU General Public License (GPL) or GNU Lesser General Public License (LGPL), etc. You have the right of acquisition, modification, and distribution of the source code from the following website at no charge.

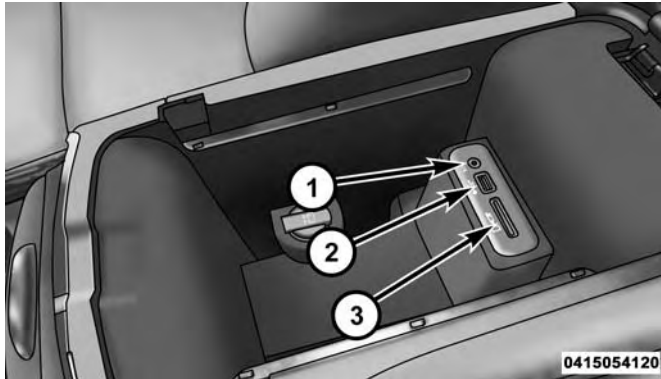
The Source Code “As Is” and without warranty of any kind. By downloading Source Code, you expressly assume all risk and liability associated with downloading and using the Source Code and complying with the user agreements that accompany each Source Code. Please note that we cannot respond to any inquiries regarding the source code.

### USB/AUX CONTROLS — IF EQUIPPED

Your vehicle may be equipped with one of three different center consoles and media hub configurations. The media hub allows external electronic devices to be plugged into the USB port, AUX jack or SD card slot (If Equipped).

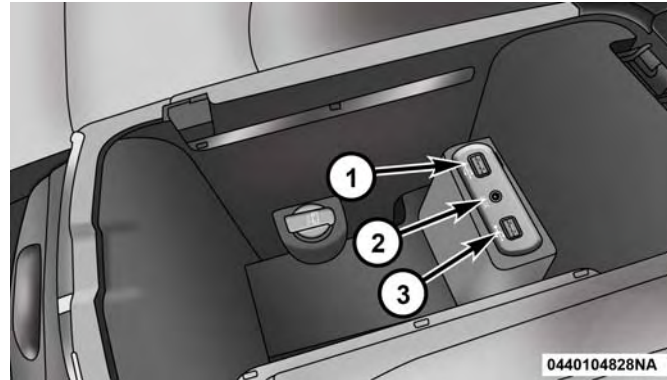
The media hub also allows the use of an SD card. For further information, refer to the Uconnect Supplement Manual.

**NOTE:** Once the audio device is connected and synchronized to the vehicle's AUX/USB control system (external device may take a few minutes to connect), the audio device starts charging and is ready for use by pushing radio buttons. For more information, refer to your Uconnect Supplement Manual.



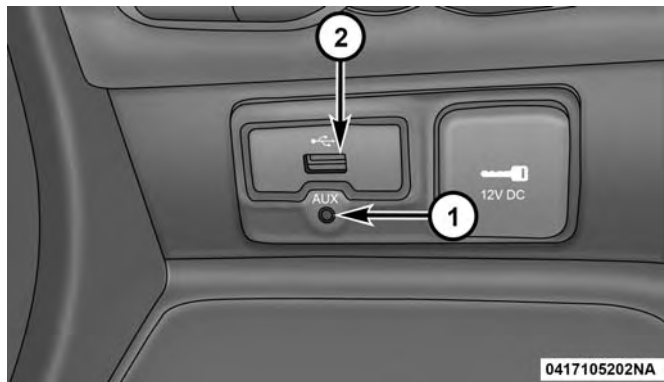
**AUX/USB/SD Card Connections – Street Appearance Console (If Equipped)**

- 1 — AUX Jack
- 2 — USB Port
- 3 — SD Card Slot



**AUX/USB Connections – Street Appearance Console (If Equipped)**

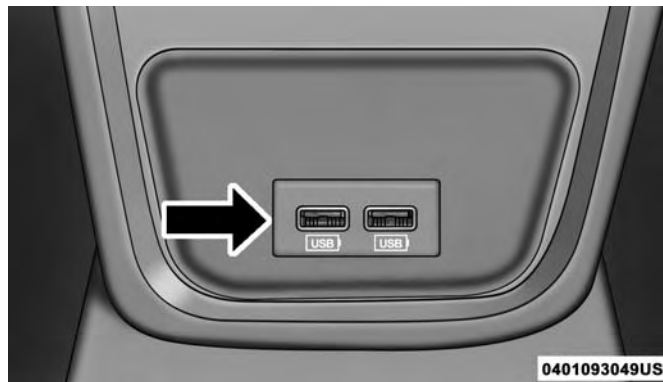
- 1 — USB Port
- 2 — AUX Jack
- 3 — USB Port



**AUX/USB Connections – Mini Console**

- 1 — AUX Jack
- 2 — USB Port

Located on the rear of the front center console are dual USB “Charge Only” ports.



**Rear USB Charging Ports – If Equipped**

The USB “Charge Only” ports will recharge battery operated USB devices when connected.

# STARTING AND OPERATING

## CONTENTS

---

■ AUTOMATIC TRANSMISSION . . . . .	38	■ ELECTRO-HYDRAULIC POWER STEERING — AWD MODELS ONLY . . . . .	47
□ Ignition Park Interlock . . . . .	39	□ Power Steering Fluid Check . . . . .	48
□ Brake/Transmission Shift Interlock System . . . . .	39	■ VEHICLE LOADING . . . . .	49
□ Five-Speed Automatic Transmission . . . . .	39		
■ AUTOSTICK . . . . .	46		
□ AutoStick Operation . . . . .	46		

## AUTOMATIC TRANSMISSION

**WARNING!**

- It is dangerous to shift out of PARK or NEUTRAL if the engine speed is higher than idle speed. If your foot is not firmly pressing the brake pedal, the vehicle could accelerate quickly forward or in reverse. You could lose control of the vehicle and hit someone or something. Only shift into gear when the engine is idling normally and your foot is firmly pressing the brake pedal.
- Unintended movement of a vehicle could injure those in or near the vehicle. As with all vehicles, you should never exit a vehicle while the engine is running. Before exiting a vehicle, always apply the parking brake, shift the transmission into PARK, and turn the engine OFF. When the ignition is in the OFF mode, the transmission is locked in PARK, securing the vehicle against unwanted movement.
- When leaving the vehicle, always make sure the ignition is in the OFF mode, remove the key fob from the vehicle, and lock the vehicle.

*(Continued)*

**WARNING! (Continued)**

- Never leave children alone in a vehicle, or with access to an unlocked vehicle. Allowing children to be in a vehicle unattended is dangerous for a number of reasons. A child or others could be seriously or fatally injured. Children should be warned not to touch the parking brake, brake pedal or the transmission gear selector.
- Do not leave the key fob in or near the vehicle (or in a location accessible to children), and do not leave the ignition in the ACC or ON/RUN mode. A child could operate power windows, other controls, or move the vehicle.

**CAUTION!**

Damage to the transmission may occur if the following precautions are not observed:

- Shift into or out of PARK or REVERSE only after the vehicle has come to a complete stop.
- Do not shift between PARK, REVERSE, NEUTRAL, or DRIVE when the engine is above idle speed.
- Before shifting into any gear, make sure your foot is firmly pressing the brake pedal.



**NOTE:** You must press and hold the brake pedal while shifting out of PARK.

### Ignition Park Interlock

This vehicle is equipped with an Ignition Park Interlock which requires the transmission to be in PARK before the ignition can be turned to the OFF mode. This helps the driver avoid inadvertently leaving the vehicle without placing the transmission in PARK. This system also locks the transmission in PARK whenever the ignition is in the OFF mode.

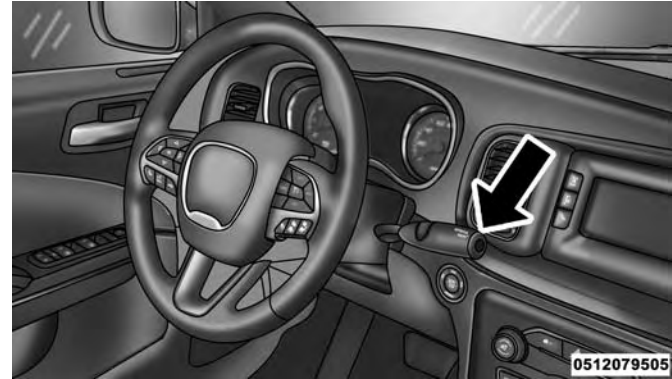
### Brake/Transmission Shift Interlock System

This vehicle is equipped with a Brake Transmission Shift Interlock system (BTSI) that holds the transmission gear selector in PARK unless the brakes are applied. To shift the transmission out of PARK, the ignition must be turned to the ON/RUN mode (engine running or not) and the brake pedal must be pressed.

### Five-Speed Automatic Transmission

The transmission gear position display (located in the instrument cluster) indicates the transmission gear range. The gear selector is mounted on the right side of the steering column.

You must press the brake pedal to move the gear selector out of PARK, (refer to “Brake/Transmission Shift Interlock System” in this section). To drive, move the gear selector from PARK or NEUTRAL to the DRIVE position. Pull the gear selector toward you when shifting into REVERSE or PARK, or when shifting out of PARK.



**Gear Selector**

The electronically-controlled transmission adapts its shift schedule based on driver inputs, along with environmental and road conditions. The transmission electronics are self-calibrating; therefore, the first few shifts on a new vehicle

may be somewhat abrupt. This is a normal condition, and precision shifts will develop within a few hundred miles (kilometers).

Only shift from DRIVE to PARK or REVERSE when the accelerator pedal is released and the vehicle is stopped. Be sure to keep your foot on the brake pedal when shifting between these gears.

The transmission gear selector has only PARK, REVERSE, NEUTRAL, and DRIVE shift positions. Manual shifts can be made using the AutoStick shift control (refer to “AutoStick” in this section for further information).

### **Gear Ranges**

DO NOT race the engine when shifting from PARK or NEUTRAL into another gear range.

**NOTE:** After selecting any gear range, wait a moment to allow the selected gear to engage before accelerating. This is especially important when the engine is cold.

If there is a need to restart the engine, be sure to cycle the ignition to the OFF position before restarting. Transmission gear engagement may be delayed after restarting the engine if the ignition is not cycled to the OFF position first.

### **PARK (P)**

This range supplements the parking brake by locking the transmission. The engine can be started in this range. Never attempt to use PARK while the vehicle is in motion. Apply the parking brake when leaving the vehicle in this range.

When parking on a level surface, you may shift the transmission into PARK first, and then apply the parking brake.

When parking on a hill, apply the parking brake before shifting the transmission to PARK, otherwise the load on the transmission locking mechanism may make it difficult to move the gear selector out of PARK. As an added precaution, turn the front wheels toward the curb on a downhill grade and away from the curb on an uphill grade.

When exiting the vehicle, always:

- Apply the parking brake
- Shift the transmission into PARK
- Turn the ignition OFF
- Remove the key fob from the vehicle

**WARNING!**

- Never use the PARK position as a substitute for the parking brake. Always apply the parking brake fully when parked to guard against vehicle movement and possible injury or damage.
- Your vehicle could move and injure you and others if it is not in PARK. Check by trying to move the gear selector out of PARK with the brake pedal released. Make sure the transmission is in PARK before leaving the vehicle.
- It is dangerous to shift out of PARK or NEUTRAL if the engine speed is higher than idle speed. If your foot is not firmly pressing the brake pedal, the vehicle could accelerate quickly forward or in reverse. You could lose control of the vehicle and hit someone or something. Only shift into gear when the engine is idling normally and your foot is firmly pressing the brake pedal.
- Unintended movement of a vehicle could injure those in or near the vehicle. As with all vehicles, you should never exit a vehicle while the engine is running. Before exiting a vehicle, always apply the parking brake, shift the transmission into PARK, and

(Continued)

**WARNING! (Continued)**

- turn the ignition OFF. When the ignition is in the OFF mode, the transmission is locked in PARK, securing the vehicle against unwanted movement.
- When leaving the vehicle, always make sure the ignition is in the OFF mode, remove the key fob from the vehicle, and lock the vehicle.
  - Never leave children alone in a vehicle, or with access to an unlocked vehicle. Allowing children to be in a vehicle unattended is dangerous for a number of reasons. A child or others could be seriously or fatally injured. Children should be warned not to touch the parking brake, brake pedal or the transmission gear selector.
  - Do not leave the key fob in or near the vehicle (or in a location accessible to children), and do not leave the ignition in the ACC or ON/RUN mode. A child could operate power windows, other controls, or move the vehicle.

**CAUTION!**

- Before moving the transmission gear selector out of PARK, you must turn the ignition to the ON/RUN mode, and also press the brake pedal. Otherwise, damage to the gear selector could result.
- DO NOT race the engine when shifting from PARK or NEUTRAL into another gear range, as this can damage the drivetrain.

The following indicators should be used to ensure that you have engaged the transmission into the PARK position:

- When shifting into PARK, pull the gear selector toward you and move it all the way counterclockwise until it stops.
- Release the gear selector and make sure it is fully seated in the PARK gate.
- Look at the transmission gear position display and verify that it indicates the PARK position (P).
- With brake pedal released, verify that the gear selector will not move out of PARK.

**REVERSE (R)**

This range is for moving the vehicle backward. Shift into REVERSE only after the vehicle has come to a complete stop.

**NEUTRAL (N)**

Use this range when the vehicle is standing for prolonged periods with the engine running. The engine may be started in this range. Apply the parking brake and shift the transmission into PARK if you must leave the vehicle.

**WARNING!**

**Do not coast in NEUTRAL and never turn off the ignition to coast down a hill. These are unsafe practices that limit your response to changing traffic or road conditions. You might lose control of the vehicle and have a collision.**

**CAUTION!**

Towing the vehicle, coasting, or driving for any other reason with the transmission in NEUTRAL can cause severe transmission damage. Refer to "Recreational Towing" in "Starting And Operating" and "Towing A Disabled Vehicle" in "What To Do In Emergencies" for further information.

**DRIVE (D)**

This range should be used for most city and highway driving. It provides the smoothest upshifts and downshifts, and the best fuel economy. The transmission automatically upshifts through underdrive first, second and third gears, direct fourth gear and overdrive fifth gear. The DRIVE position provides optimum driving characteristics under all normal operating conditions.

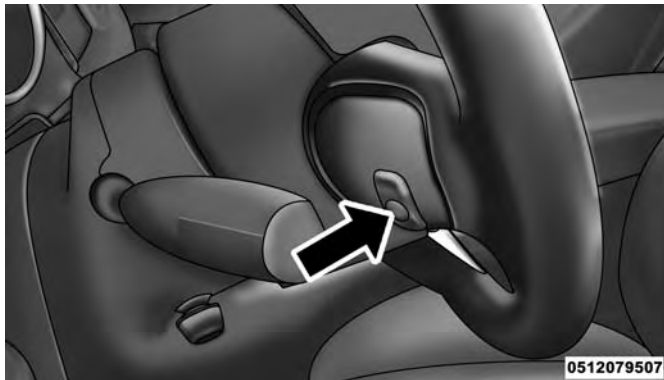
When frequent transmission shifting occurs (such as when operating the vehicle under heavy loading conditions, in hilly terrain, traveling into strong head winds, or while towing a heavy trailer), use the AutoStick shift control (refer to "AutoStick" in this section for further information) to select a lower gear. Under these conditions, using a lower gear will improve performance and extend transmission life by reducing excessive shifting and heat buildup.

**Secure Park Anti-Theft System**

The Secure Park anti-theft system was designed to enable law enforcement officers to leave their vehicles unattended with the engines running without the ability of the vehicle to be driven away. This system utilizes the Brake Transmission Shift Interlock (BTSI) to prevent the transmission from shifting out of park.

## Enabling and Disabling The System

To enable or disable, press the Secure Park button located on the back side of the steering wheel when the engine is running. The vehicle can be in any gear to enable. Either center button located on the right or left side of the steering wheel may be used.



### Secure Park Button (Back View Of Steering Wheel)

The instrument cluster will display a message indicating when the system is Active or Off.

**NOTE:** The radio features for the left and right center buttons will be repurposed.

## System Activated

The system is activated as soon as the transmission is shifted into Park (when Secure Park has been previously enabled). If the brake is pressed after activation, a message will be displayed that states the Secure Park is activated. Press the Secure Park button to disable.

## To Deactivate

When you press the Secure Park button, the vehicle will search for a valid key fob. If a valid fob is present, the system will be deactivated and disabled. The vehicle can then be shifted out of Park.

**NOTE:** If a valid fob is not found, a message will indicate that the fob was not found.

### *Transmission Limp Home Mode*

Transmission function is monitored electronically for abnormal conditions. If a condition is detected that could result in transmission damage, Transmission Limp Home Mode is activated. In this mode, the transmission remains in the current gear until the vehicle is brought to a stop. After the vehicle has stopped, the transmission will remain in second gear regardless of which forward gear is selected. PARK, REVERSE, and NEUTRAL will continue to operate. The Malfunction Indicator Light (MIL) may be illuminated. Limp Home Mode allows the vehicle to be driven to an authorized dealer for service without damaging the transmission.

In the event of a momentary problem, the transmission can be reset to regain all forward gears by performing the following steps:

1. Stop the vehicle.
2. Shift the transmission into PARK.
3. Turn the ignition to the OFF position.
4. Wait approximately 10 seconds.
5. Restart the engine.
6. Shift into the desired gear range. If the problem is no longer detected, the transmission will return to normal operation.

**NOTE:** Even if the transmission can be reset, we recommend that you visit your authorized dealer at your earliest possible convenience. Your authorized dealer has diagnostic equipment to determine if the problem could recur.

If the transmission cannot be reset, authorized dealer service is required.

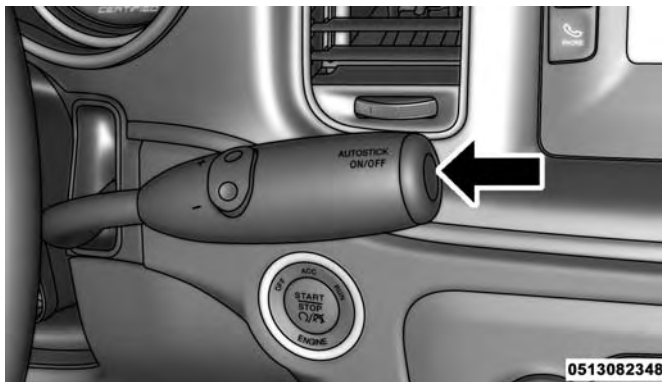
### *Overdrive Operation*

The automatic transmission includes an electronically controlled Overdrive (fifth gear). The transmission will automatically shift into Overdrive if the following conditions are present:

- The gear selector is in the DRIVE position.
- Vehicle speed is sufficiently high.
- The driver is not heavily pressing the accelerator.

## AUTOSTICK

AutoStick is a driver-interactive transmission feature providing manual shift control, giving you more control of the vehicle. AutoStick allows you to maximize engine braking, eliminate undesirable upshifts and downshifts, and improve overall vehicle performance. This system can also provide you with more control during passing, city driving, cold slippery conditions, mountain driving, trailer towing, and many other situations.



AUTOSTICK ON/OFF Switch

## AutoStick Operation

When the gear selector is in the DRIVE position, the transmission will operate automatically, shifting between the five available gears. To activate AutoStick mode, push and release the AUTOSTICK ON/OFF switch (on the end of the gear selector) at any time while in the DRIVE position. When AutoStick is active, the current transmission gear is displayed in the instrument cluster.

In AutoStick mode, pushing the AUTOSTICK up (+) or down (-) switch allows you to select a higher or lower gear. Pushing the bottom of the switch (-) triggers a downshift (unless it would cause engine overspeeding), and pushing the top of the switch (+) triggers an upshift (unless it would cause engine lugging). The transmission will remain in the current gear until another upshift or downshift is chosen, except as described below.

- The transmission will automatically downshift as the vehicle slows (to prevent engine lugging) and will display the current gear.
- The transmission will automatically downshift to first gear when coming to a stop. After a stop, the driver should manually upshift (+) the transmission as the vehicle is accelerated.



- You can start out, from a stop, in first or second gear. Tapping (+) (at a stop) will allow starting in second gear. Starting out in second gear can be helpful in snowy or icy conditions.
- In models with V6 engine, if the accelerator is fully depressed, the transmission will downshift when possible (based on vehicle speed and gear).
- The transmission will automatically upshift near max engine speed, if the higher gear will provide greater acceleration.
- The system will ignore attempts to upshift at too low of a vehicle speed.
- Transmission shifting will be more noticeable when AutoStick is enabled.

To exit AutoStick mode, push and release the AUTOSTICK ON/OFF switch. The transmission will now operate automatically; shifting between the five available gears. You can shift in or out of AutoStick mode at any time without taking your foot off the accelerator pedal.

Shifting the transmission out of DRIVE will also disable AutoStick (and it will remain disabled on subsequent DRIVE engagements).

**NOTE:** This maneuver should ONLY be performed at a complete stop, since DRIVE engagement may be delayed if the vehicle is moving.

### **WARNING!**

**Do not downshift for additional engine braking on a slippery surface. The drive wheels could lose their grip and the vehicle could skid, causing a collision or personal injury.**

5

### **ELECTRO-HYDRAULIC POWER STEERING — AWD MODELS ONLY**

Your vehicle is equipped with an electro-hydraulic power steering system that will give you good vehicle response and increased ease of maneuverability in tight spaces. The system will vary its assist to provide light efforts while parking and good feel while driving. If the electro-hydraulic power steering system experiences a fault that prevents it from providing power steering assist, then the system will provide mechanical steering capability.

**CAUTION!**

Extreme steering maneuvers may cause the electrically driven pump to reduce or stop power steering assistance in order to prevent damage to the system. Normal operation will resume once the system is allowed to cool.



If the “SERVICE POWER STEERING” message and a flashing icon are displayed on the instrument cluster screen, it indicates that the vehicle needs to be taken to the dealer for service. It is likely the vehicle has lost power steering assistance. Refer to “Instrument Cluster Display” in “Understanding Your Instrument Panel” for further information.

If the “POWER STEERING HOT” message and an icon are displayed on the instrument cluster screen, it indicates that extreme steering maneuvers may have occurred, which caused an over temperature condition in the power steering system. You will lose power steering assistance momentarily until the over temperature condition no longer exists. Once driving conditions are safe, then pull over and let vehicle idle for a few moments until the light turns off. Refer to “Instrument Cluster Display” in “Understanding Your Instrument Panel” for further information.

**NOTE:**

- Even if power steering assistance is no longer operational, it is still possible to steer the vehicle. Under these conditions there will be a substantial increase in steering effort, especially at very low vehicle speeds and during parking maneuvers.
- If the condition persists, see your authorized dealer for service.

**Power Steering Fluid Check**

Checking the power steering fluid level at a defined service interval is not required. The fluid should be checked at every oil change if a leak is suspected, abnormal noises are apparent, and/or the system is not functioning as anticipated. Coordinate inspection efforts through an authorized dealer.

**CAUTION!**

**Do not use chemical flushes in your power steering system as the chemicals can damage your power steering components. Such damage is not covered by the New Vehicle Limited Warranty.**

**WARNING!**

Fluid level should be checked on a level surface and with the engine off to prevent injury from moving parts and to ensure accurate fluid level reading. Do not overfill. Use only manufacturer's recommended power steering fluid.

If necessary, add fluid to restore to the proper indicated level. With a clean cloth, wipe any spilled fluid from all surfaces. Refer to "Fluids, Lubricants And Genuine Parts" in "Maintaining Your Vehicle" for further information.

**Gross Vehicle Weight Rating (GVWR)**

Charger Police Vehicles	Gross Vehicle Weight Rating (GVWR)
3.6 Engine with RWD Z1A Sales Code	5,250 lbs (2 381 kg)
3.6 Engine with RWD and optional GVWR Z1B Sales Code	5,450 lbs (2 472 kg)
5.7 Engine with RWD Z1B Sales Code	5,450 lbs (2 472 kg)
5.7 Engine with AWD Z1F Sales Code	5,500 lbs (2 495 kg)

**VEHICLE LOADING**

The load carrying capacity of your vehicle is shown on the "Vehicle Certification Label." This label is attached to the rear of the driver's door. Do not exceed the Gross Vehicle Weight Rating (GVWR) or Gross Axle Weight Rating (GAWR) specified on the label.

While the weights and capacities shown in these tables is intended as supplemental loading information for passenger and luggage, the "Vehicle Certification Label" contains the most current load capacities and therefore, if different, will supersede the data in these tables. Refer to the Owner's Manual for more information.



# WHAT TO DO IN EMERGENCIES

## CONTENTS

---

■ WHEEL AND TIRE TORQUE SPECIFICATIONS . . .52	□ Vehicles Equipped With Wheel Covers. . . . .59
□ Torque Specifications . . . . .52	■ GEAR SELECTOR OVERRIDE . . . . .60
■ JACKING AND TIRE CHANGING . . . . .53	■ TOWING A DISABLED VEHICLE . . . . .61
□ Jack Location/Spare Tire Stowage . . . . .54	□ All Wheel Drive (AWD) Models . . . . .62
□ Preparations For Jacking . . . . .54	□ Rear Wheel Drive (RWD) Models . . . . .62
□ Jacking And Changing A Tire . . . . .55	□ Without The Key Fob . . . . .63
□ Road Tire Installation . . . . .58	

## WHEEL AND TIRE TORQUE SPECIFICATIONS

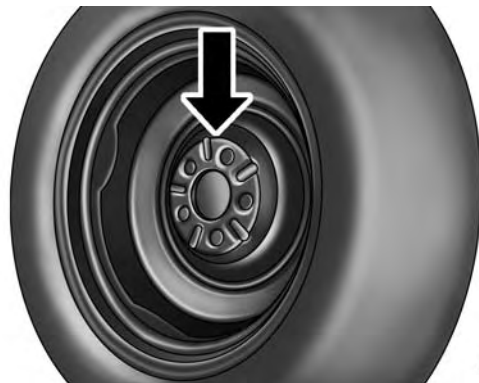
Proper lug nut/bolt torque is very important to ensure that the wheel is properly mounted to the vehicle. Any time a wheel has been removed and reinstalled on the vehicle, the lug nuts/bolts should be torqued using a properly calibrated torque wrench.

### Torque Specifications

Lug Nut/ Bolt Torque	**Lug Nut/ Bolt Size	Lug Nut/Bolt Socket Size
130 Ft-Lbs (176 N·m)	M14 x 1.50	22 mm

\*\*Use only your authorized dealer recommended lug nuts/bolts and clean or remove any dirt or oil before tightening.

Inspect the wheel mounting surface prior to mounting the tire and remove any corrosion or loose particles.



0605005441

### Wheel Mounting Surface

Tighten the lug nuts/bolts in a star pattern until each nut/bolt has been tightened twice.

After 25 miles (40 km) check the lug nut/bolt torque to be sure that all the lug nuts/bolts are properly seated against the wheel.

## JACKING AND TIRE CHANGING



0605006372

Torque Patterns

**WARNING!**

To avoid the risk of forcing the vehicle off the jack, do not tighten the lug nuts fully until the vehicle has been lowered. Failure to follow this warning may result in personal injury.

**WARNING!**

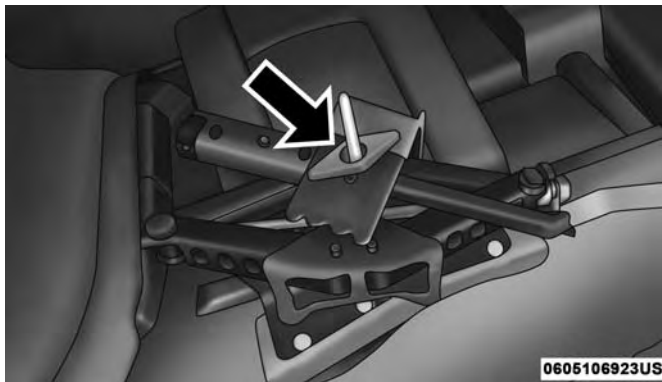
- Do not attempt to change a tire on the side of the vehicle close to moving traffic. Pull far enough off the road to avoid the danger of being hit when operating the jack or changing the wheel.
- Being under a jacked-up vehicle is dangerous. The vehicle could slip off the jack and fall on you. You could be crushed. Never put any part of your body under a vehicle that is on a jack. If you need to get under a raised vehicle, take it to a service center where it can be raised on a lift.
- Never start or run the engine while the vehicle is on a jack.
- The jack is designed to be used as a tool for changing tires only. The jack should not be used to lift the vehicle for service purposes. The vehicle should be jacked on a firm level surface only. Avoid ice or slippery areas.

### Jack Location/Spare Tire Stowage

The jack and spare tire are both stowed in the trunk. Follow these steps to access the jack and spare tire.

**NOTE:** The spare tire must be removed in order to access the jack.

1. Open the trunk.
2. Remove the fastener securing the spare tire.
3. Remove the spare tire.
4. Remove the fastener securing the jack and wheel chocks.



Jack Fastener

5. Remove the scissors jack and lug wrench from the spare wheel as an assembly. Turn the jack screw to the left to loosen the lug wrench, and remove the wrench from the jack assembly.

#### WARNING!

- A loose tire or jack thrown forward in a collision or hard stop could endanger the occupants of the vehicle.
- Always stow the jack parts and the spare tire in the places provided. Have the deflated (flat) tire repaired or replaced immediately.

### Preparations For Jacking

1. Park the vehicle on a firm, level surface as far from the edge of the roadway as possible. Avoid icy or slippery areas.

#### WARNING!

Do not attempt to change a tire on the side of the vehicle close to moving traffic, pull far enough off the road to avoid the danger of being hit when operating the jack or changing the wheel.



2. Turn on the hazard warning flasher.
3. Set the parking brake.
4. Place the gear selector into PARK.
5. Turn OFF the ignition.
6. Block the front and rear of the wheel diagonally opposite of the jacking position with provided wheel chocks. For example, if changing the right front tire, block the left rear wheel.

**NOTE:** Passengers should not remain in the vehicle when the vehicle is being jacked.

### Jacking And Changing A Tire

#### **WARNING!**

Carefully follow these tire changing warnings to help prevent personal injury or damage to your vehicle:

- Always park on a firm, level surface as far from the edge of the roadway as possible before raising the vehicle.

*(Continued)*

#### **WARNING! (Continued)**

- Turn on the Hazard Warning flasher.
- Chock the wheel diagonally opposite the wheel to be raised.
- Apply the parking brake and place an automatic transmission in PARK.
- Never start or run the engine with the vehicle on a jack.
- Do not let anyone sit in the vehicle when it is on a jack.
- Do not get under the vehicle when it is on a jack. If you need to get under a raised vehicle, take it to a service center where it can be raised on a lift.
- Only use the jack in the positions indicated and for lifting this vehicle during a tire change.
- If working on or near a roadway, be extremely careful of motor traffic.
- To assure that spare tires, flat or inflated, are securely stowed, spares must be stowed with the valve stem facing the ground.



060600714

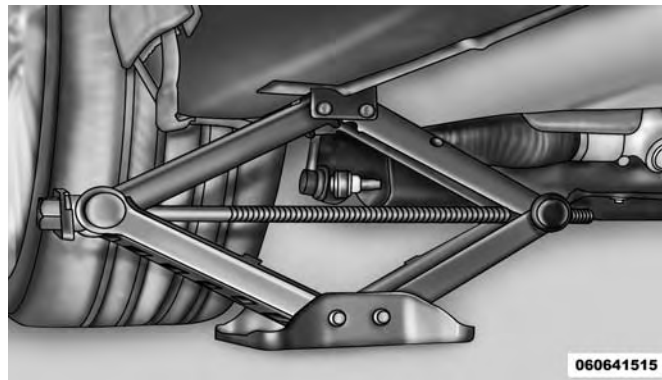
Jack Warning Label

**CAUTION!**

Do not attempt to raise the vehicle by jacking on locations other than those indicated in the Jacking Instructions for this vehicle.

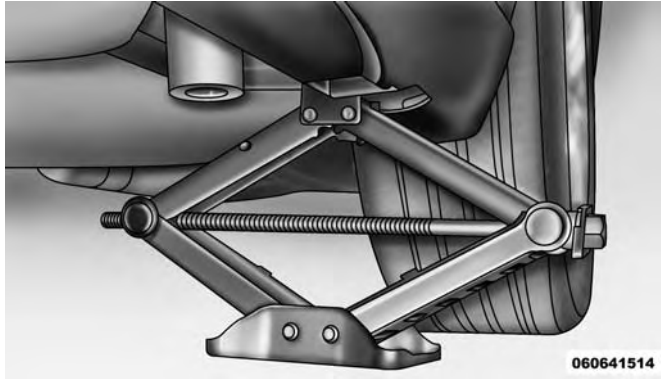
1. Remove the spare tire, wheel chocks, jack, and lug wrench.

2. Before raising the vehicle, use the lug wrench to loosen, but not remove, the lug nuts on the wheel with the flat tire. Turn the lug nuts counterclockwise one turn while the wheel is still on the ground.
3. Place the jack underneath the lift area that is closest to the flat tire. Turn the jack screw clockwise to firmly engage the jack saddle with the lift area of the sill flange.



060641515

Front Jacking Location



**Rear Jacking Location**

4. Raise the vehicle just enough to remove the flat tire and install the spare tire.

**WARNING!**

Raising the vehicle higher than necessary can make the vehicle less stable. It could slip off the jack and hurt someone near it. Raise the vehicle only enough to remove the tire.

5. Remove the lug nuts and tire.

6. Mount the spare tire.

**CAUTION!**

Be sure to mount the spare tire with the valve stem facing outward. The vehicle could be damaged if the spare tire is mounted incorrectly.

**NOTE:** Refer to “Starting and Operating/Tires—General Information” in the Owner’s Manual for additional warnings, cautions, and information about the spare tire, its use, and operation.

7. Install the lug nuts with the cone shaped end of the lug nut toward the wheel. Lightly tighten the lug nuts.

**WARNING!**

To avoid the risk of forcing the vehicle off the jack, do not fully tighten the lug nuts until the vehicle has been lowered. Failure to follow this warning may result in serious injury.

8. Lower the vehicle to the ground by turning the jack handle counterclockwise.

9. Finish tightening the lug nuts. Push down on the wrench while at the end of the handle for increased leverage. Tighten the lug nuts in a star pattern until each nut has been tightened twice. Refer to Torque Specifications for proper lug nut torque. If in doubt about the correct tightness, have them checked with a torque wrench by your authorized dealer or at a service station.
10. Stow the wheel chocks, jack, tools and flat tire. Make sure the base of the jack faces the back of the vehicle before tightening down the fastener.

**WARNING!**

**A loose tire or jack thrown forward in a collision or hard stop could endanger the occupants of the vehicle. Always stow the jack parts and the spare tire in the places provided. Have the deflated (flat) tire repaired or replaced immediately.**

**Road Tire Installation**

1. Mount the road tire on the axle.
2. Install the remaining lug nuts with the cone shaped end of the nut toward the wheel. Lightly tighten the lug nuts.

**WARNING!**

**To avoid the risk of forcing the vehicle off the jack, do not tighten the wheel nuts fully until the vehicle has been lowered. Failure to follow this warning may result in serious injury.**

3. Lower the vehicle to the ground by turning the jack handle counterclockwise.
4. Finish tightening the lug nuts. Push down on the wrench while at the end of the handle for increased leverage. Tighten the lug nuts in a star pattern until each nut has been tightened twice. Refer to Torque Specifications for proper lug nut torque. If in doubt about the correct tightness, have them checked with a torque wrench by your authorized dealer or service station.
5. After 25 miles (40 km) check the lug nut torque with a torque wrench to ensure that all lug nuts are properly seated against the wheel.

## Vehicles Equipped With Wheel Covers

1. Mount the road tire on the axle. For vehicles equipped with center caps, proceed to Step 4.
2. Install two lug nuts on the mounting studs, which are on each side of the stud that is in alignment with the valve stem. Install the lug nuts with the cone shaped end of the nut toward the wheel. Lightly tighten the lug nuts. To avoid the risk of forcing the vehicle off the jack, do not tighten the lug nuts fully until the vehicle is lowered to the ground.
3. Install the remaining lug nuts with the cone shaped end of the nut toward the wheel. Lightly tighten the lug nuts. To avoid the risk of forcing the vehicle off the jack, do not tighten the lug nuts fully until the vehicle is lowered to the ground.
4. Lower the vehicle to the ground by turning the jack handle counterclockwise.
5. Finish tightening the lug nuts. Push down on the wrench while tightening for increased leverage. Alternate lug nuts until each nut has been tightened twice. Refer to Torque Specifications for proper lug nut torque. If in doubt about the correct tightness, have them checked with a torque wrench by your authorized dealer or at a service station.
6. For vehicles equipped with center caps, install the center cap by hand. Do not use a hammer or excessive force to install the center cap.
7. Stow the wheel chocks, jack, tools, and spare tire. Make sure the base of the jack faces the back of the vehicle before tightening down the fastener.

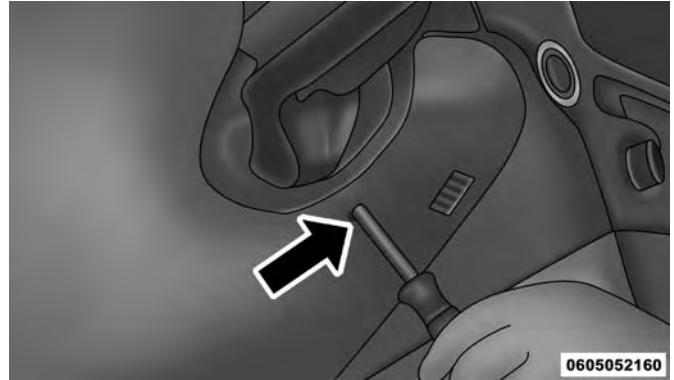
### WARNING!

**A loose tire or jack thrown forward in a collision or hard stop could endanger the occupants of the vehicle. Always stow the jack parts and the spare tire in the places provided.**

## GEAR SELECTOR OVERRIDE

If a malfunction occurs and the gear selector cannot be moved out of the PARK position, you can use the following procedure to temporarily move the gear selector:

1. Turn the engine off.
2. Firmly apply the parking brake.
3. Tilt the steering wheel to the full up position.
4. Press and maintain firm pressure on the brake pedal.
5. Insert a screwdriver or similar tool into the access port (ringed circle) on the knee bolster located below the steering column, push and hold the override release lever up.



**Gear Selector Override Location**

6. Move the gear selector to the NEUTRAL position.
7. The vehicle may then be started in NEUTRAL.

## TOWING A DISABLED VEHICLE

This section describes procedures for towing a disabled vehicle using a commercial towing service.

Towing Condition	Wheels OFF The Ground	RWD MODELS	AWD MODELS
Flat Tow	NONE	<b>If transmission is operable:</b> <ul style="list-style-type: none"> <li>• Transmission in <b>NEUTRAL</b></li> <li>• 30 mph (48 km/h) <b>max</b> speed</li> <li>• 15 miles (24 km) <b>max</b> distance</li> </ul>	<b>NOT ALLOWED</b>
Wheel Lift or Dolly Tow	Front	<b>NOT RECOMMENDED (but, if used, same limitations as above)</b>	<b>NOT ALLOWED</b>
	Rear	NOT RECOMMENDED	NOT RECOMMENDED, but, if used: <ul style="list-style-type: none"> <li>• Ignition in ON/RUN position</li> <li>• Transmission in <b>NEUTRAL</b></li> </ul>
Flatbed	<b>ALL</b>	<b>BEST METHOD</b>	<b>BEST METHOD</b>

Proper towing or lifting equipment is required to prevent damage to your vehicle. Use only tow bars and other equipment designed for this purpose, following equipment manufacturer's instructions. Use of safety chains is mandatory. Attach a tow bar or other towing device to main structural members of the vehicle, not to bumpers or associated brackets. State and local laws regarding vehicles under tow must be observed.

If you must use the accessories (wipers, defrosters, etc.) while being towed, the ignition must be in the ON/RUN mode, not the ACC mode.

If the key fob is unavailable, or the vehicle's battery is discharged, refer to "Gear Selector Override" in this section for instructions on shifting the transmission out of PARK for towing.

**CAUTION!**

- Do not use sling type equipment when towing. Vehicle damage may occur.
- When securing the vehicle to a flatbed truck, do not attach to front or rear suspension components. Damage to your vehicle may occur from improper towing.
- The manufacturer does not recommend towing this vehicle using a tow dolly. Vehicle damage may occur.

**All Wheel Drive (AWD) Models**

The manufacturer recommends towing your vehicle with all four wheels OFF the ground using a flatbed.

If the transmission and drivetrain are operable, AWD models can also be towed with the ignition in the ON/RUN mode, the transmission in NEUTRAL (not in PARK!), and the rear wheels OFF the ground with no limitation on speed or distance. Since the ignition **MUST** be in the ON/RUN mode to tow in this manner, AWD vehicles must be towed with **ALL FOUR** wheels OFF the ground (e.g. on a flatbed truck) if the key fob is unavailable.

**CAUTION!**

- Towing this vehicle using any other method can cause severe transmission and/or transfer case damage.
- Damage from improper towing is not covered under the New Vehicle Limited Warranty.

**Rear Wheel Drive (RWD) Models**

The manufacturer recommends towing your vehicle with all four wheels OFF the ground using a flatbed.

If flatbed equipment is not available, and the transmission is operable, the vehicle may be flat towed (with all four wheels on the ground) under the following conditions:

- The transmission must be in NEUTRAL.
- The towing distance must not exceed 15 miles (24 km).
- The towing speed must not exceed 30 mph (48 km/h).

**If the transmission is not operable, or the vehicle must be towed faster than 30 mph (48 km/h) or farther than 15 miles (24 km), then the only acceptable method of towing is with a flatbed truck.**



**CAUTION!**

Towing this vehicle in violation of the above requirements can cause severe transmission damage. Damage from improper towing is not covered under the New Vehicle Limited Warranty.

**Without The Key Fob**

Special care must be taken when the vehicle is towed with the ignition in the OFF mode. The only approved method of towing without the key fob is with a flatbed truck. Proper towing equipment is necessary to prevent damage to the vehicle.



# MAINTAINING YOUR VEHICLE

## CONTENTS

---

■ MAINTENANCE PROCEDURES . . . . .	.66	■ FLUIDS, LUBRICANTS AND GENUINE PARTS . . .	.68
□ Brake System Maintenance . . . . .	.66	□ Chassis . . . . .	.68
□ Automatic Transmission . . . . .	.67	■ FUSES . . . . .	.69
		□ Auxiliary Power Distribution Center — If Equipped . . . . .	.69

## MAINTENANCE PROCEDURES

Police and fleet vehicles are equipped with heavy-duty parts that are designed specifically for the varying demands and unique requirements under which they are operated. This booklet illustrates and describes the operation of unique features and equipment that are either standard or optional on this vehicle. A description of features and equipment no longer available, or not ordered on this vehicle, may also be included. Please disregard any features and equipment described in this manual that are not on this vehicle.

Failure to maintain your vehicle properly may reduce vehicle performance and operational capabilities, adversely affect the safety of you and your passengers, as well as restrict your warranty coverage. Refer to the "Maintenance Schedule" in the Owner's Manual for the proper maintenance intervals.

The manufacturer reserves the right to make changes in design and specifications, and/or make additions to or improvements to its products, without imposing any obligation upon itself to install them on products previously manufactured.

## Brake System Maintenance

### WARNING!

- **Perform this procedure in a controlled environment, as high speeds and moderate rates of deceleration are necessary in order to complete this procedure. Failure to follow this warning can result in a collision with serious or fatal injuries.**
- **In a collision, you and your passengers can suffer much greater injuries if you are not properly buckled up. You can strike the interior of your vehicle or other passengers, or you can be thrown out of the vehicle. Always be sure you and others in your vehicle are buckled up properly.**

All new brake systems have a burnishing (break-in) period. This burnishing (break-in) period will vary according to individual driving habits and driving conditions (e.g., rush hour, city, highway, etc). Smoke and odor associated with brake burnishing is normal. Therefore, we recommend using the following burnish procedure to burnish the heavy-duty brake system on your vehicle.

In a controlled environment, accelerate the vehicle to a speed of 60 mph (97 km/h), maintain this speed for a few seconds, and then apply the brakes for a moderate deceleration, slowing the vehicle to a speed of 10 to 5 mph (16 to 8 km/h). Repeat this sequence 40 times. However, allow 30 seconds between braking maneuvers to cool the brakes. After completing this procedure, allow the brakes to cool completely before driving the vehicle again.

## Automatic Transmission

### Selection Of Lubricant

It is important to use the proper transmission fluid to ensure optimum transmission performance and life. Use only the manufacturer's specified transmission fluid. Refer to "Fluids, Lubricants, And Genuine Parts" in this section for fluid specifications. It is important to maintain the transmission fluid at the correct level using the recommended fluid. No chemical flushes should be used in any transmission; only the approved lubricant should be used.

#### CAUTION!

Using a transmission fluid other than the manufacturer's recommended fluid may cause deterioration in

*(Continued)*

#### CAUTION! *(Continued)*

transmission shift quality and/or torque converter shudder, and will require more frequent fluid and filter changes. Refer to "Fluids, Lubricants, And Genuine Parts" in this section for fluid specifications.

### Special Additives

The manufacturer strongly recommends against using any special additives in the transmission.

Automatic Transmission Fluid (ATF) is an engineered product and its performance may be impaired by supplemental additives. Therefore, do not add any fluid additives to the transmission. The only exception to this policy is the use of special dyes for diagnosing fluid leaks. Avoid using transmission sealers as they may adversely affect seals.

#### CAUTION!

Do not use chemical flushes in your transmission as the chemicals can damage your transmission components. Such damage is not covered by the New Vehicle Limited Warranty.

## Fluid Level Check

The fluid level is preset at the factory and does not require adjustment under normal operating conditions. Routine fluid level checks are not required, therefore the transmission filler tube is capped and no dipstick is provided. Your authorized dealer can check your transmission fluid level using a special service dipstick. If you notice fluid leakage or transmission malfunction, visit your authorized dealer immediately to have the transmission fluid level checked. Operating the vehicle with an improper fluid level can cause severe transmission damage.

## FLUIDS, LUBRICANTS AND GENUINE PARTS

### Chassis

Component	Fluid, Lubricant, or Genuine Part
Automatic Transmission – 5-Speed Transmission	Use Only ATF+4 Automatic Transmission Fluid. Failure to use ATF+4 fluid may affect the function or performance of your transmission. We recommend MOPAR ATF+4 Fluid.
Power Steering Reservoir – AWD Models Only	We recommend you use MOPAR Hydraulic Fluid.

### CAUTION!

**If a transmission fluid leak occurs, visit your authorized dealer immediately. Severe transmission damage may occur. Your authorized dealer has the proper tools to adjust the fluid level accurately.**

### Fluid And Filter Changes

Refer to the “Maintenance Schedule” for the proper maintenance intervals.

In addition, change the fluid and filter if the fluid becomes contaminated (with water, etc.), or if the transmission is disassembled for any reason.

## FUSES

### WARNING!

- When replacing a blown fuse, always use an appropriate replacement fuse with the same amp rating as the original fuse. Never replace a fuse with another fuse of higher amp rating. Never replace a blown fuse with metal wires or any other material. Failure to use proper fuses may result in serious personal injury, fire and/or property damage.
- Before replacing a fuse, make sure that the ignition is off and that all the other services are switched off and/or disengaged.
- If the replaced fuse blows again, contact an authorized dealer.
- If a general protection fuse for safety systems (air bag system, braking system), power unit systems (engine system, gearbox system) or steering system blows, contact an authorized dealer.

### Auxiliary Power Distribution Center — If Equipped

The Auxiliary Power Distribution Center is located in the trunk compartment on the passenger side. This module contains fuses and relays. Fuse cavity location and descriptions are printed on the inside of the power distribution center cover.

### CAUTION!

- When installing the power distribution center cover, it is important to ensure the cover is properly positioned and fully latched. Failure to do so may allow water to get into the power distribution center and possibly result in an electrical system failure.
- When replacing a blown fuse, it is important to use only a fuse having the correct amperage rating. The use of a fuse with a rating other than indicated may result in a dangerous electrical system overload. If a properly rated fuse continues to blow, it indicates a problem in the circuit that must be corrected.

<b>Cavity</b>	<b>Mini-Fuse</b>	<b>Description</b>
F1	5 Amp Tan	Front Corner LEDs
F2	5 Amp Tan	Grill LEDs
F3	5 Amp Tan	Mirror LEDs
F4	2 Amp Gray	Visor Trigger
F7	5 Amp Tan	B Pillar LEDs
F8	5 Amp Tan	Deck LEDs
F9	2 Amp Gray	Takedown
F10	2 Amp Gray	Right Alley
F11	2 Amp Gray	Left Alley
F12	2 Amp Gray	Lightbar Front
F13	2 Amp Gray	Lightbar Rear
F14	2 Amp Gray	Taillamp Flash
F15	2 Amp Gray	Headlamp Flash
F16	5 Amp Tan	Rear LEDs
F17	5 Amp Tan	Gun Lock
F18	2 Amp Gray	T/A Left
F19	2 Amp Gray	T/A Right
F20	2 Amp Gray	T/A Flash
F21	20 Amp Yellow	Siren In 1A
F22	20 Amp Yellow	Siren In 1B



<b>Cavity</b>	<b>Mini-Fuse</b>	<b>Description</b>
F23	20 Amp Yellow	Siren In 2A
F24	20 Amp Yellow	Siren In 2B
F25	20 Amp Yellow	Front Radio
F26	20 Amp Yellow	Rear Radio
F27	10 Amp Red	Radar
F28	30 Amp Green	Lightbar
F29	15 Amp Blue	Visor
F30	15 Amp Blue	T/A
F31	20 Amp Yellow	Siren Controller
F32	5 Amp Tan	Front Radio
F34	5 Amp Tan	Fan/Timer Module Ign
F36	15 Amp Blue	Computer
F37	10 Amp Red	Camera
F38	10 Amp Red	Modem
F39	5 Amp Tan	Printer



---

# MAINTENANCE SCHEDULE

## CONTENTS

---

■ MAINTENANCE CHART . . . . .	.74
-------------------------------	-----

The Scheduled Maintenance services listed in this manual must be done at the times or mileages specified to protect your vehicle warranty and ensure the best vehicle performance and reliability. More frequent maintenance may be needed for vehicles in severe operating conditions, such as dusty areas and very short trip driving. Inspection and service should also be done anytime a malfunction is suspected.

## MAINTENANCE CHART

Refer to the Maintenance Schedule in the Owner's Manual for the rest of the required maintenance intervals.

Mileage or time passed (whichever comes first)	20,000	30,000	40,000	50,000	60,000	70,000	80,000	90,000	100,000	110,000	120,000	130,000	140,000	150,000
Or Years:	2	3	4	5	6	7	8	9	10	11	12	13	14	15
Or Kilometers:	32,000	48,000	64,000	80,000	96,000	112,000	128,000	144,000	160,000	176,000	192,000	208,000	224,000	240,000
<b>Additional Maintenance</b>														
Change automatic transmission fluid and filter.					X						X			
Change Transfer Case Fluid (All Wheel Drive Only).					X						X			
Change the rear axle fluid and on models equipped with All Wheel Drive (AWD) change the front axle fluid.				X					X					X

**WARNING!**

- You can be badly injured working on or around a motor vehicle. Do only service work for which you have the knowledge and the right equipment. If you have any doubt about your ability to perform a service job, take your vehicle to a competent mechanic.
- Failure to properly inspect and maintain your vehicle could result in a component malfunction and affect vehicle handling and performance. This could cause an accident.



---

# INDEX

Adjustable Pedals . . . . .	18	Emergency, In Case Of	
Automatic Transmission. . . . .	39, 67, 68	Jacking . . . . .	53
Adding Fluid . . . . .	68	Towing . . . . .	61
Autostick . . . . .	46	Fluid Level Checks	
Fluid And Filter Changes . . . . .	68	Automatic Transmission . . . . .	68
Fluid Change . . . . .	68	Power Steering . . . . .	48
Fluid Level Check . . . . .	68	Fluids, Lubricants And Genuine Parts. . . . .	68
Fluid Type . . . . .	67, 68	Fuses . . . . .	69
Special Additives . . . . .	67		
Automatic Transmission Limp Home Mode. . . . .	45	Gear Ranges . . . . .	40
		Information Center, Vehicle . . . . .	24
Brake/Transmission Interlock. . . . .	39	Introduction. . . . .	4
		iPod/USB/MP3 Control . . . . .	34
Caps, Filler		Jacking Instructions . . . . .	53
Power Steering . . . . .	48	Lights . . . . .	16
		Dome . . . . .	17
Dipsticks		Lug Nuts . . . . .	52
Automatic Transmission . . . . .	68	Maintenance Procedures . . . . .	66
Power Steering . . . . .	48	Maintenance Schedule . . . . .	1, 74
Disabled Vehicle Towing . . . . .	61		
Door Locks . . . . .	6		
Electrical Power Outlets. . . . .	19		
Electronic Power Distribution Center (Fuses) . . . . .	69		
Electronic Vehicle Information Center (EVIC) . . . . .	24		



Occupant Restraints . . . . .	.6
Overdrive. . . . .	.45
Pedals, Adjustable. . . . .	.18
Power	
Outlet (Auxiliary Electrical Outlet) . . . . .	.19
Steering . . . . .	.48
Schedule, Maintenance. . . . .	.1, 74
Shifting . . . . .	.38
Automatic Transmission . . . . .	.38
Steering	
Power . . . . .	.48
Towing	
Disabled Vehicle . . . . .	.61
Transmission . . . . .	.67
Automatic . . . . .	.38, 39, 67
Fluid . . . . .	.67, 68
Shifting . . . . .	.38
Vehicle Loading . . . . .	.49

## **INSTALLATION OF RADIO TRANSMITTING EQUIPMENT**

Special design considerations are incorporated into this vehicle's electronic system to provide immunity to radio frequency signals. Mobile two-way radios and telephone equipment must be installed properly by trained personnel. The following must be observed during installation.

The positive power connection should be made directly to the battery and fused as close to the battery as possible. The negative power connection should be made to body sheet metal adjacent to the negative battery connection. This connection should not be fused.

Antennas for two-way radios should be mounted on the roof or the rear area of the vehicle. Care should be used in mounting antennas with magnet bases. Magnets may affect the accuracy or operation of the compass on vehicles so equipped.

The antenna cable should be as short as practical and routed away from the vehicle wiring when possible. Use only fully shielded coaxial cable.

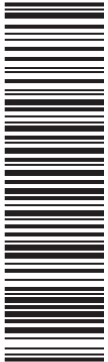
Carefully match the antenna and cable to the radio to ensure a low Standing Wave Ratio (SWR).

Mobile radio equipment with output power greater than normal may require special precautions.

All installations should be checked for possible interference between the communications equipment and the vehicle's electronic systems.



STICK WITH THE SPECIALISTS®



17D483-226-AA  
©2016 FCA US LLC. All Rights Reserved.  
Dodge is a registered trademark of FCA US LLC.



First Edition  
Printed in the U.S.A.