

TABLE OF CONTENTS

SECTION		PAGE
1	INTRODUCTION	3
2	THINGS TO KNOW BEFORE STARTING YOUR VEHICLE	5
3	UNDERSTANDING THE FEATURES OF YOUR VEHICLE	19
4	UNDERSTANDING YOUR INSTRUMENT PANEL	25
5	STARTING AND OPERATING	27
6	WHAT TO DO IN EMERGENCIES	33
7	MAINTAINING YOUR VEHICLE	35
8	INDEX	43

1

2

3

4

5

6

7

8

INTRODUCTION

CONTENTS

■ Introduction	4
----------------------	---

INTRODUCTION

This booklet is a supplement to the Owner's Manual prepared with the assistance of service and engineering specialists, and is intended to aid the operators of police or fleet vehicles (used in severe duty, high-mileage operations) in understanding the operation and required maintenance procedures for such vehicles. It covers maintenance procedures for vehicles equipped with heavy-duty packages. However, other vehicles operated under the conditions listed below are also considered "severe service" vehicles, and should be serviced and maintained as prescribed in this booklet. This supplement applies to rear-wheel drive passenger cars only. You are urged to read this publication and the Owner's Manual carefully.

Refer to the Police Upfitter's Guide provided with your vehicle, prior to the addition of any aftermarket equipment.

Following the instructions and recommendations provided herein, will help assure safe and reliable operation of your vehicle. After you have read the booklet, it should be stored in the vehicle for convenient reference and remain with the vehicle when sold.

THINGS TO KNOW BEFORE STARTING YOUR VEHICLE

CONTENTS

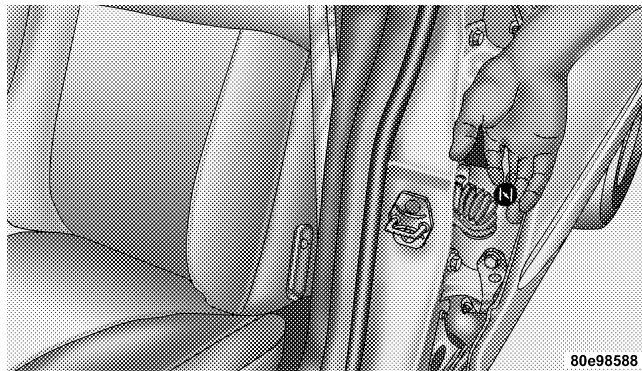
■ Sentry Key® Immobilizer	6	■ Occupant Restraints	7
■ Modified Rear Door – Locks, Levers, & Window Switches — If Equipped	6	□ Airbag Deployment Zones	8

SENTRY KEY® IMMOBILIZER

Do not hold transponders against the key fob being used when starting vehicles equipped with the Sentry Key® Immobilizer system. This may cause interference with the Sentry Key®, which can disable the engine.

MODIFIED REAR DOOR – LOCKS, LEVERS, & WINDOW SWITCHES — IF EQUIPPED

The emergency rear door lock knob is located in the front portion of each rear door panel, visible when the front door is opened. Pull the knob out to unlock the door. In this same way, the rear doors can be locked from the outside of the vehicle by pushing the knob in.



Emergency Door Lock Knob

Both rear passenger doors are inoperable from the rear seat position, inside the vehicle. There are three ways to operate the rear door locks:

- The emergency rear door lock knob from the front door entrance (see graphic)

- Either front door lock switch
- The remote keyless entry transmitter

The rear windows are inoperable from the rear door switches. Rear windows are only operable by the driver door master switch.

OCCUPANT RESTRAINTS

Driver/passenger airbags affect the way police equipment can be safely mounted in police vehicles.

Any surface that could come into contact with an airbag, once it has been deployed, must not damage the airbag or alter its deployment path.

The addition of the supplemental equipment (such as radios, weapons, mounting brackets, cage, etc.), must be installed such that it will not interfere or come in contact with a deploying airbag. Airbag deployment zones are described below. Sharp edges, corners or protrusions on

supplemental equipment, could damage the nylon airbag material and reduce the effectiveness of the airbag during a deployment.

WARNING!

- **Vehicles equipped with left and right-side curtain airbags must use police cages, which have been approved by the equipment manufacturer, for use in the vehicle.**
- **The area where the side-curtain airbag is located should remain free from any obstructions.**

(Continued)

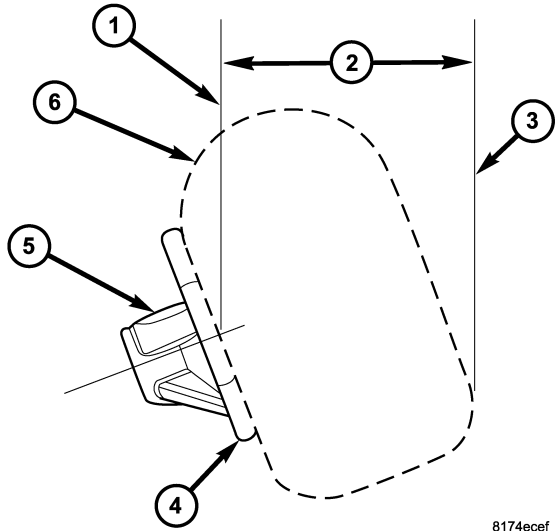
WARNING! (Continued)

- If your vehicle is equipped with left and right side curtain airbags, care must be taken when installing any type of roof equipment. Drilling and installation of fasteners or other equipment that may interfere with the side-curtain airbags and airbag wiring harness, is not permitted. Furthermore, make sure that no equipment or fasteners are located in the airbag deployment zone.
- Do not place objects or mount equipment in front of the airbag module cover, or in front of the seat areas that may come in contact with a deploying airbag.
- Dash, tunnel or console-mounted equipment should not be placed outside of the specified zone.
- Failure to follow these instructions could result in personal injury.

Airbag Deployment Zones

There are four zones to be aware of:

1. Driver Airbag Deployment Zone (Fig. 1), and Driver Airbag/Steering Wheel Specifications (Fig. 2)
2. Passenger Airbag Deployment Zone (Fig. 3) and (Fig. 4)
3. Side-Curtain Airbag Deployment Zone (Fig. 5)
4. Seat-Mounted Airbag Deployment Zone (Fig. 6)



8174ecef

Figure 1

Figure 1 - Driver Airbag Deployment Zone, depicts the following.

1. Vertical Plane Passing Through Center of Steering Wheel
2. 18.7 in (47 cm)
3. Vertical Plane Passing Through Maximum Rearward Point that the Driver Airbag Cushion Reaches
4. Steering Wheel
5. Driver Airbag Retainer/Housing
6. Driver Airbag Cushion

10 THINGS TO KNOW BEFORE STARTING YOUR VEHICLE

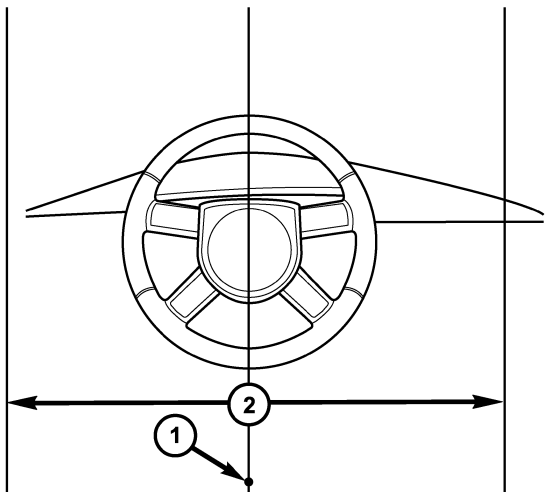
DRIVER AIRBAG/STEERING COLUMN SPECIFICATIONS

DRIVER AIRBAG CUSHION POSITION	
DAB Diameter When Deployed (Full)	26.5 in (67 cm)
DAB Depth When Deployed (Full)	15 in (38 cm)
Maximum Rearward Displacement During Deployment (Full)	18.7 in (47 cm)

STEERING COLUMN TILT POSITION RANGE

+/- 2.7 Degrees from Steering Column Tilt Pivot Point

21.0 Degrees from Vertical is the Nominal Position



81877152

Figure 2

Figure 2 - Driver Airbag Lateral Deployment Zone, depicts the following.

1. Driver Seating Reference
2. Driver Airbag Cushion Lateral Deployment Zone, 28 in (71 cm).

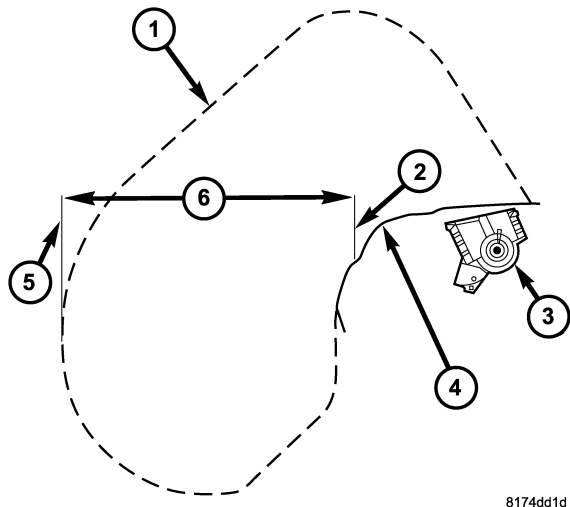


Figure 3

Figure 3 - Passenger Airbag Deployment Zone, depicts the following.

1. Passenger Airbag Cushion
2. Vertical Plane from Point of Instrument Panel
3. Passenger Airbag Module
4. Instrument Panel
5. Vertical Plane Passing Through the Maximum Rearward Point that the Passenger Airbag Cushion Reaches
6. 18.5 in (47 cm)

8174dd1d

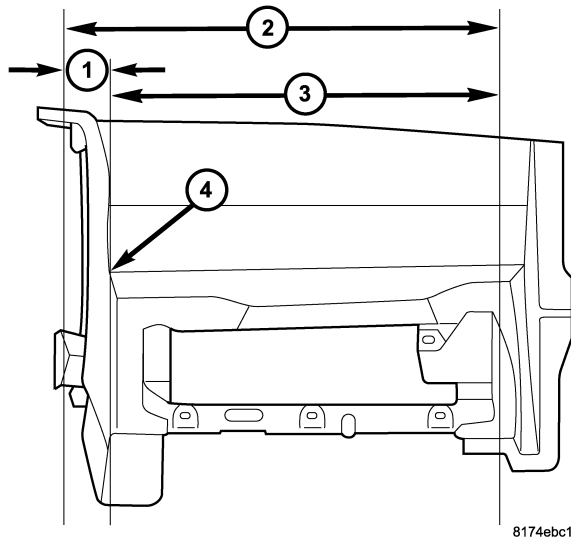
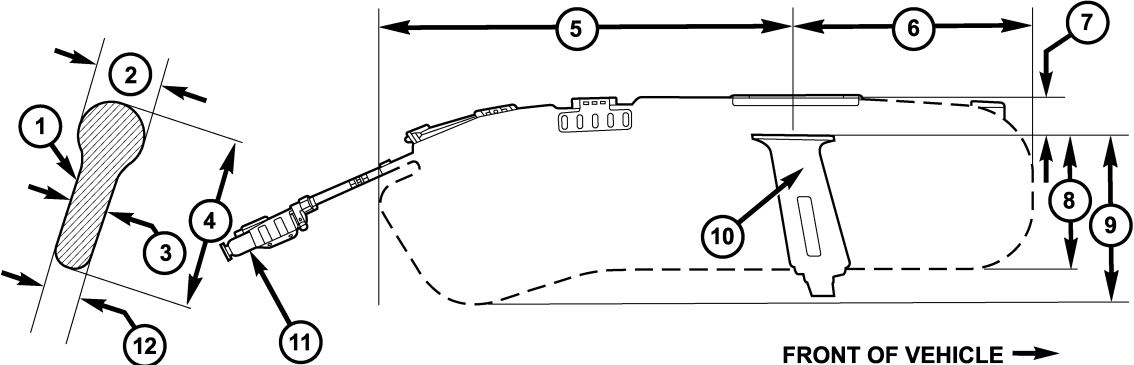


Figure 4

Figure 4 - Passenger Airbag Lateral Deployment Zone, depicts the following.

1. 2.8 in (7 cm)
2. Passenger Airbag Cushion Deployment Zone
3. 20.4 in (52 cm)
4. Reference Point



817523c3

Figure 5

Figure 5 - Side-Curtain Airbag Deployment Zone, depicts the following.

1. Cross-Sectional Area Side View
2. 6.1 in (15 cm)
3. 3.1 in (8 cm)
4. 15.8 in (40 cm)
5. 38.2 in (97 cm)
6. 22 in (56 cm)
7. 3.6 in (9 cm)
8. 12.2 in (31 cm)
9. 15.3 in (39 cm)
10. B-Pillar Trim
11. Side-Curtain Airbag Inflator Module
12. 3.5 in (9 cm)

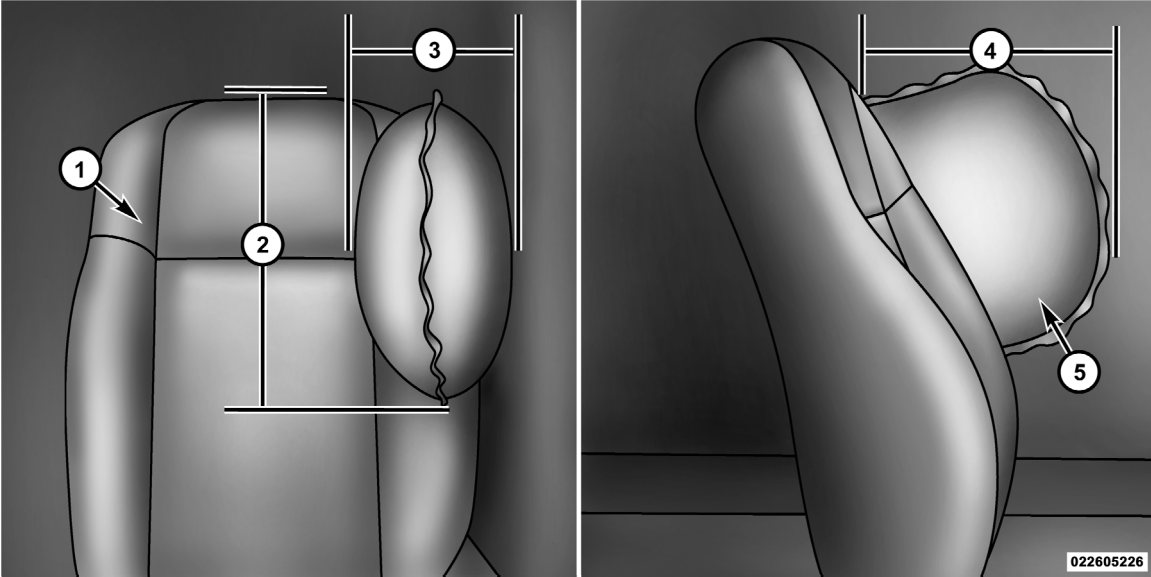


Figure 6

Figure 6 - Seat-Mounted Airbag Deployment Zone, depicts the following.

1. Front Driver's Seat
2. 12.4 in (31 cm)
3. 7.9 in (20 cm)
4. 11.2 in (28 cm)
5. Seat-Mounted Airbag

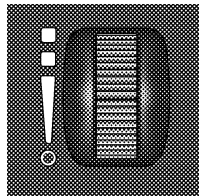
UNDERSTANDING THE FEATURES OF YOUR VEHICLE

CONTENTS

■ Lights	20	□ Front Power Outlet	22
□ Stealth Mode	20	□ Additional Power Leads	23
□ Spot Lights — If Equipped	20	■ Console Features	24
□ Dome Light — If Equipped	21	□ Equipment Mounting Bracket — If Equipped	24
■ Tilt Steering Column	21		
■ Electrical Power Outlets	22		

LIGHTS

Stealth Mode

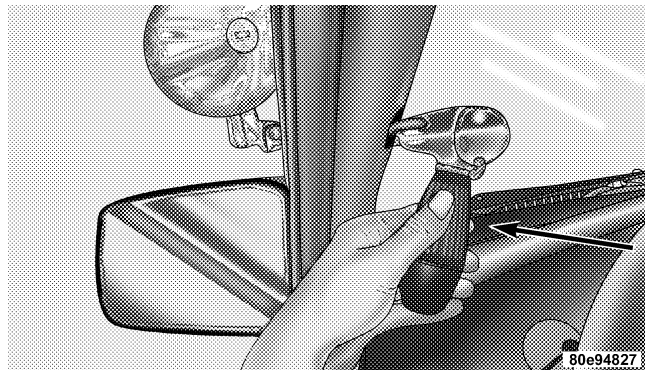


This vehicle is designed for periods of surveillance. The dimmer control is part of the headlight switch, and is located on the left side of the instrument panel. By rotating the dimmer control to the extreme bottom "OFF" position to "stealth mode" all interior illumination except for PRNDL, odometer, and vehicle critical warning indicators will be cancelled. The PRNDL and odometer will go to the lowest legal limit.

The courtesy (interior) lights are disabled when opening the door, and will operate only by rolling the headlight dimmer switch to the fully upward (detent) position, or by pressing each map light individually.

Spot Lights — If Equipped

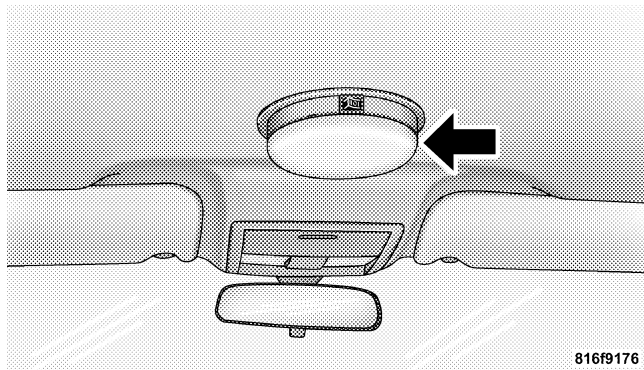
This vehicle may be equipped with up to two spotlights. Each spotlight is attached to the A-Pillar. The spotlight switch is located on the chrome section of the handle. Use this switch to turn on and turn off the spotlight. Rotate and twist the handle to adjust the position of the spotlight.



Spotlight Control

Dome Light — If Equipped

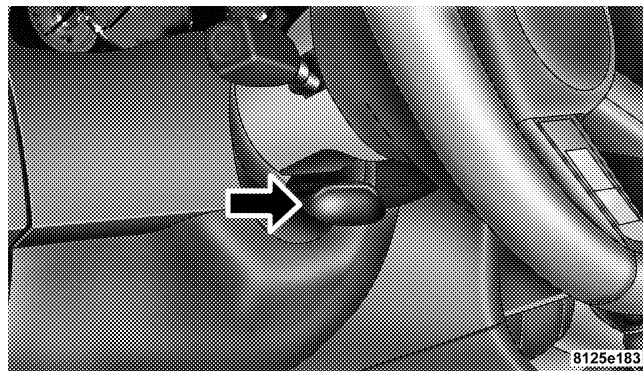
The police dome light has three positions. Position one is used for white light, and position two is used for red LED light. Always remember to return the dome light switch to the OFF (center) position when finished using to prevent discharging the vehicle battery.



Dome Light

TILT STEERING COLUMN

The steering column equipped on this vehicle only tilts. Unlock the steering column by pulling out the handle located directly below the column. To tilt the column, move the steering wheel up or down as desired. Lock the steering column in position by pushing the handle in until it fully engages.



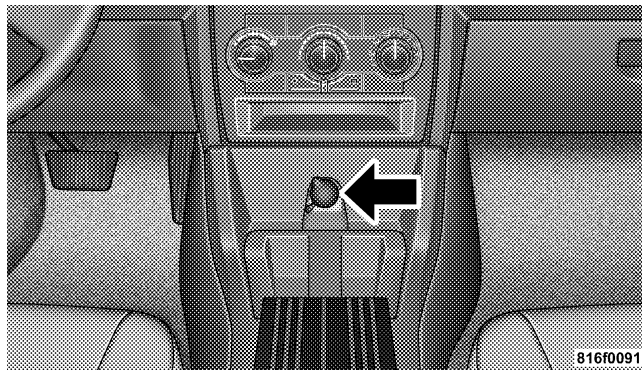
Tilt Steering Column Control

WARNING!

Do not adjust the steering wheel while driving. The tilt adjustment must be locked while driving. Adjusting the steering wheel while driving or driving without the tilt adjustment locked could cause you to lose control of the vehicle.

ELECTRICAL POWER OUTLETS**Front Power Outlet**

The front 12 Volt electrical power outlet is located on the center console, and is protected by a fuse. This power outlet is powered directly from the battery (power available at all times). Items plugged into this power outlet may discharge the battery and/or prevent the engine from starting.

**Front Power Outlet**

This outlet will also operate a conventional cigar lighter unit.

NOTE: Fuse 18, in the rear Power Distribution Center, not only protects the front power outlet, it also determines whether the battery or the ignition switch will

power this outlet. One side of the three-terminal connector that holds Fuse 18 receives battery power, and the other side receives ignition power. To change the power source, install the fuse in either the upper or the lower position of the three-terminal Fuse 18 connector.

Additional Power Leads

There are additional 12-Volt electrical power leads underneath an access cover, located directly under the center console front power outlet. These power leads are protected by fuses located on the passenger side below the glove compartment. Refer to the Police Upfitter's Guide provided with your vehicle, for more details. Carefully pry off the access cover to access the power leads.

WARNING!

To avoid serious injury or death:

- Do not use a three-prong adapter.

(Continued)

WARNING! (Continued)

- Do not insert any objects into the receptacles.
- Do not touch with wet hands.
- Close the lid when not in use and while driving the vehicle.
- If this outlet is mishandled, it may cause an electric shock and failure.

CAUTION!

- Many accessories that can be plugged in draw power from the vehicle's battery, even when not in use (i.e., cellular phones, etc.). Eventually, if plugged in long enough, the vehicle's battery will discharge sufficiently to degrade battery life and/or prevent the engine from starting.

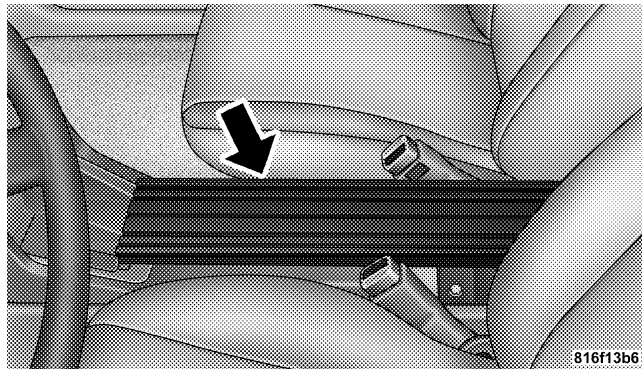
(Continued)

CAUTION! (Continued)

- Accessories that draw higher power (i.e., coolers, vacuum cleaners, lights, etc.), will degrade the battery even more quickly. Only use these intermittently and with greater caution.
- After the use of high power draw accessories, or long periods of the vehicle not being started (with accessories still plugged in), the vehicle must be driven a sufficient length of time to allow the alternator to recharge the vehicle's battery.
- Power outlets are designed for accessory plugs only. Do not hang any type of accessory or accessory bracket from the plug. Improper use of the power outlet can cause damage.

CONSOLE FEATURES**Equipment Mounting Bracket — If Equipped**

The equipment mounting bracket is located between the driver's and front passenger's seat. Refer to the Police Upfitter's Guide (www.fleet.chrysler.com) for details.



816f13b6

Equipment Mounting Bracket

UNDERSTANDING YOUR INSTRUMENT PANEL

CONTENTS

■ Instrument Cluster Description	26	□ Hour Meter	26
--	----	------------------------	----

INSTRUMENT CLUSTER DESCRIPTION

Hour Meter

The trip odometer button is located on the left side of the instrument cluster next to the fuel gauge. With the ignition switch turned to the ON position and the engine OFF, press and hold this button for three seconds to display one of the following options:

- First press (H) — Engine On (running), Time In Gear, PARK, REVERSE, etc.
- Second press (h) — Idle Time (recording only when vehicle is in PARK)
- Third press — will return to odometer display

STARTING AND OPERATING

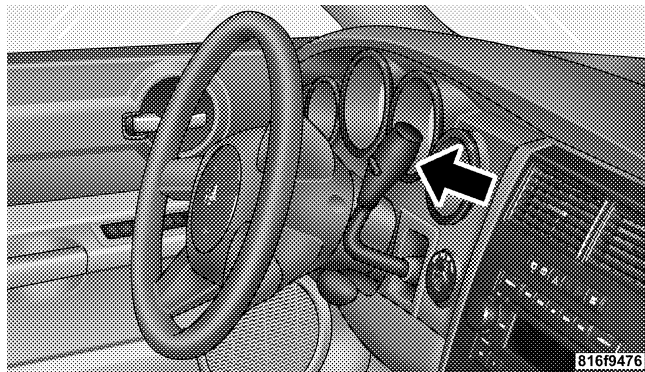
CONTENTS

■ Automatic Transmission	28	□ AutoStick® Operation	29
□ Shift Lever	28	■ Vehicle Loading	30
■ AutoStick®	28		

AUTOMATIC TRANSMISSION

Shift Lever

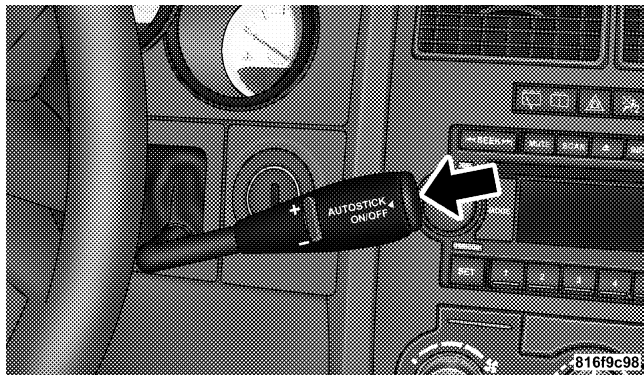
The shift lever is located on the steering column. Refer to the Owner's Manual for specific details about shifting.



Shift Lever

AUTOSTICK®

Autostick® is a driver-interactive transmission that offers manual gear shifting, to provide you with more control. Autostick® allows you to maximize engine braking, eliminate undesirable upshifts and downshifts, and improve overall vehicle performance. This system can also provide you with more control during passing, city driving, cold slippery conditions, mountain driving, trailer towing, and many other situations.



Autostick® Switch

Autostick® Operation

To activate Autostick® mode, place the shift lever in the DRIVE position, then press and release the AUTOSTICK switch on the end of the shift lever. A number (indicating

the current transmission gear) will be illuminated in the transmission gear display (located in the instrument cluster) while Autostick® mode is active.

Next, press the AUTOSTICK switch up (+) or down (-). This allows you to select a higher or lower range of gears. Pressing the bottom of the switch (-) triggers a downshift, and pressing the top of the switch (+) triggers an upshift. The transmission will remain in the current gear until an upshift or downshift is chosen. The transmission will automatically downshift as the vehicle slows to a stop (to prevent engine lugging) and will display the current gear. Pressing the top of the switch (+) when at a stop will allow starting in second gear. After a stop, the driver should manually upshift (+) the transmission as the vehicle is accelerated.

30 STARTING AND OPERATING

To exit the Autostick® mode, perform either of the following:

- Press and release the AUTOSTICK switch. The transmission will now operate automatically; shifting between the five available gears. You can shift in or out of Autostick® mode at any time without taking your foot off the accelerator pedal.
- Bring the vehicle to a complete stop, and place the shift lever in the PARK position.

VEHICLE LOADING

The load carrying capacity of your vehicle is shown on the “Vehicle Certification Label.” This label is attached to

the rear of the driver’s door. Do not exceed the Gross Vehicle Weight Rating (GVWR) or Gross Axle Weight Rating (GAWR) specified on the label.

While the weights and capacities shown in these tables is intended as supplemental loading information for passenger and luggage, the “Vehicle Certification Label” contains the most current load capacities and therefore, if different, will supersede the data in these tables. Refer to the Owner’s Manual for more information.

Gross Vehicle Weight Rating (GVWR)

Charger Police Vehicles	5,500 lbs (2 495 kg)
-------------------------	----------------------

Vehicle Loading — Charger Police Vehicles

	Front Axle	Rear Axle
Load (Including driver, passengers and cargo)		
3.5L Engine	419 lbs (190 kg)	851 lbs (386 kg)
5.7L Engine	419 lbs (190 kg)	851 lbs (386 kg)
GAWR		
3.5L Engine	2,850 lbs (1 293 kg)	2,850 lbs (1 293 kg)
5.7L Engine	2,850 lbs (1 293 kg)	2,850 lbs (1 293 kg)

WHAT TO DO IN EMERGENCIES

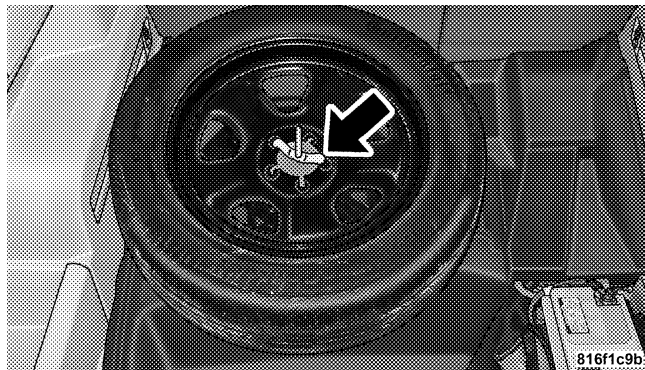
CONTENTS

- Jacking And Tire Changing 34
 - Full-Size Spare Tire — If Equipped 34
- Jump-Starting 34
 - Battery Access — Vehicles Equipped With Full-Size Spare Tire 34

JACKING AND TIRE CHANGING

Full-Size Spare Tire — If Equipped

The optional full-size spare tire is located above the rear compartment tub. Refer to the Owner's Manual for Jacking and Tire Changing instructions. However, torque the wheel lug nuts to 140 ft.lbs. (190 N•m).

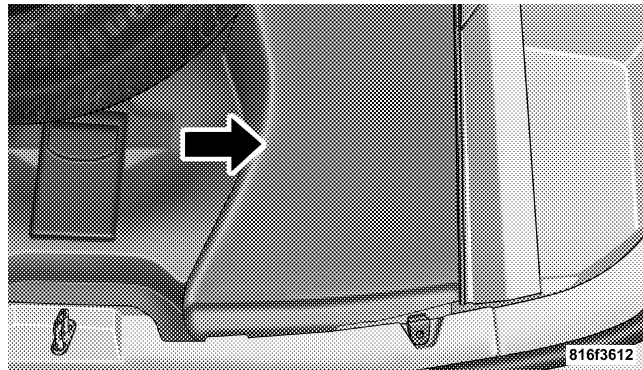


Spare Tire Removal

JUMP-STARTING

Battery Access — Vehicles Equipped With Full-Size Spare Tire

The battery in this vehicle is stored under an access cover in the rear compartment.



Battery Access

MAINTAINING YOUR VEHICLE

CONTENTS

■ Maintenance Procedures	36	□ Auxiliary Power Distribution Center	39
□ Brake System Maintenance	36	□ Rear Power Distribution Center	39
■ Fuses	37	■ Fluid Capacities	41
□ Integrated Power Module	38		

MAINTENANCE PROCEDURES

Police and fleet vehicles are equipped with heavy-duty parts that are designed specifically for the varying demands and unique requirements under which they are operated. This booklet illustrates and describes the operation of unique features and equipment that are either standard or optional on this vehicle. A description of features and equipment no longer available, or not ordered on this vehicle, may also be included. Please disregard any features and equipment described in this manual that is not on this vehicle.

Failure to maintain your vehicle properly may reduce vehicle performance and operational capabilities, adversely affect the safety of you and your passengers, as well as restrict your warranty coverage. Refer to the "Maintenance Schedule" in the Owner's Manual for the proper maintenance intervals.

The manufacturer reserves the right to make changes in design and specifications, and/or make additions to or improvements to its products, without imposing any obligation upon itself to install them on products previously manufactured.

Brake System Maintenance

WARNING!

- **Perform this procedure in a controlled environment, as high speeds and moderate rates of deceleration are necessary in order to complete this procedure. Failure to follow this warning can result in an accident with serious or fatal injuries.**

(Continued)

WARNING! (Continued)

- **In a collision, you and your passengers can suffer much greater injuries if you are not properly buckled up. You can strike the interior of your vehicle or other passengers, or you can be thrown out of the vehicle. Always be sure you and others in your vehicle are buckled up properly.**

All new brake systems have a burnishing (break-in) period. This burnishing (break-in) period will vary according to individual driving habits and driving conditions (e.g., rush hour, city, highway, etc). Smoke and odor associated with brake burnishing is normal. Therefore, we recommend using the following burnish procedure to burnish the heavy-duty brake system on your vehicle.

In a controlled environment, accelerate the vehicle to a speed of 60 mph (97 km/h), maintain this speed for a few seconds, and then apply the brakes for a moderate deceleration, slowing the vehicle to a speed of 10 to 5 mph (16 to 8 km/h). Repeat this sequence 40 times. However, allow 30 seconds between braking maneuvers to cool the brakes. After completing this procedure, allow the brakes to cool completely before driving the vehicle again.

FUSES

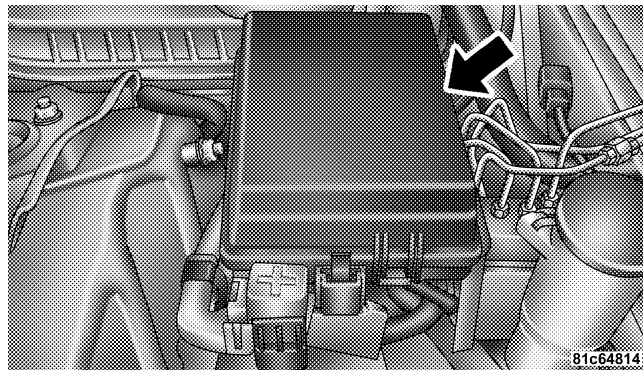
The following contains unique fuse information for police vehicles. Refer to “Fuses” in Section 7 of the Owner’s Manual for more information.

Integrated Power Module

CAUTION!

- When installing the Integrated Power Module cover, it is important to ensure the cover is properly positioned and fully latched. Failure to do so may allow water to get into the Integrated Power Module, and possibly result in an electrical system failure.
- When replacing a blown fuse, it is important to use only a fuse having the correct amperage rating. The use of a fuse with a rating other than indicated may result in a dangerous electrical system overload. If a properly rated fuse continues to blow, it indicates a problem in the circuit that must be corrected.

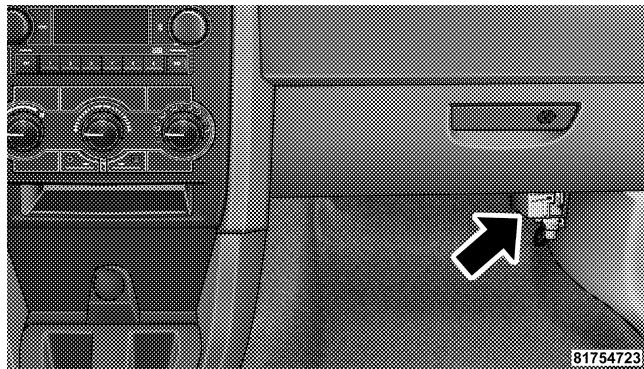
The Integrated Power Module is located in the engine compartment. This module contains fuses and relays.



Integrated Power Module

Auxiliary Power Distribution Center

The Auxiliary Power Distribution Center is located under the dash, below the glove compartment. This center contains fuses and relays.



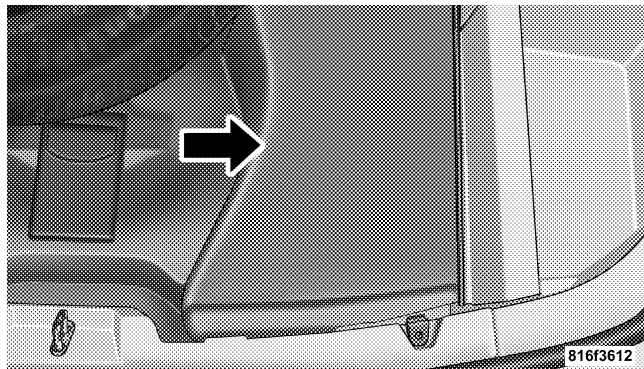
Under-Dash Fuse Access

Cavity	Mini-Fuse	Description
A1	15 Amp Blue	Right Spot Light
B1	15 Amp Blue	Left Spot Light
C1	20 Amp Yellow	Police Dome Light - If Equipped

Rear Power Distribution Center

The Rear Power Distribution Center is located in the rear compartment, under an access panel. This center contains fuses and relays.

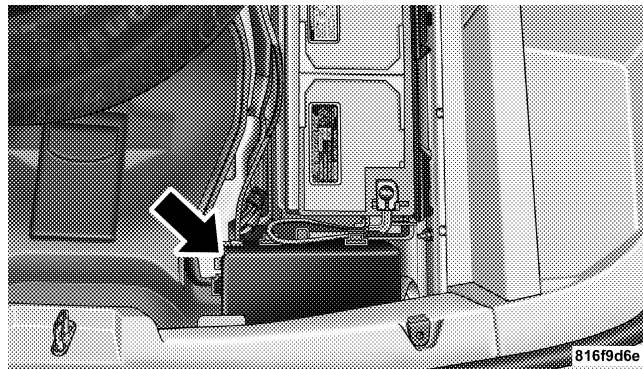
Rear Power Distribution Center Access — Vehicles Equipped with Full-Size Spare Tire



Rear Fuse Access

Do not place heavy items on the top of the battery cover.

Rear Power Distribution Center Access — Vehicles Equipped with Compact Spare Tire



Rear Fuse Access

Cavity	Mini-Fuse	Description
30	10 Amp Red	Interface Module

Cavity	Mini-Fuse	Description
40	5 Amp Tan	Switch Bank

FLUID CAPACITIES

	U.S.	Metric
Cooling System *		
3.5 Liter Engine (MOPAR® Antifreeze/Coolant 5 Year/100,000 Mile Formula) or equivalent	11.4 Quarts	10.8 Liters
5.7 Liter Engine (MOPAR® Antifreeze/Coolant 5 Year/100,000 Mile Formula) or equivalent	15.2 Quarts	14.4 Liters
* Includes heater and coolant recovery bottle filled to MAX level		

INDEX

Airbag	7	Fluid Capacities	41
Airbag Deployment	7	Immobilizer (Sentry Key)	6
Airbag, Window (Side Curtain)	7	Instrument Cluster	26
Automatic Transmission		Integrated Power Module (Fuses)	38
Autostick	28	Introduction	4
Autostick	28	Key, Sentry (Immobilizer)	6
Battery	34	Lights	20
Location	34	Loading Vehicle	30
Brake System	36	Capacities	30
Hoses	36	Locks	6
Capacities, Fluid	41	Door	6
Door Locks	6	Maintenance Procedures	36
Electrical Power Outlets	22	Occupant Restraints	7
Equipment Mounting Bracket	24		

Power		Supplemental Restraint System - Airbag	7
Distribution Center (Fuses)	39	Tilt Steering Column	21
Outlet (Auxiliary Electrical Outlet)	22	Tires	
Restraints, Occupant	7	Spare Tire	34
Sentry Key (Immobilizer)	6	Transmission	
Shifting	28	Shifting	28
Automatic Transmission	28	Vehicle Loading	30
Side Curtain (Window Airbag)	7	Window Airbag (Side Curtain)	7
Spare Tire	34		
Steering			
Tilt Column	21		
Wheel, Tilt	21		