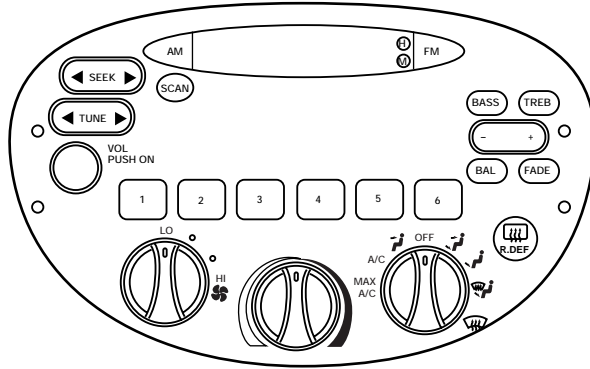


## Contents

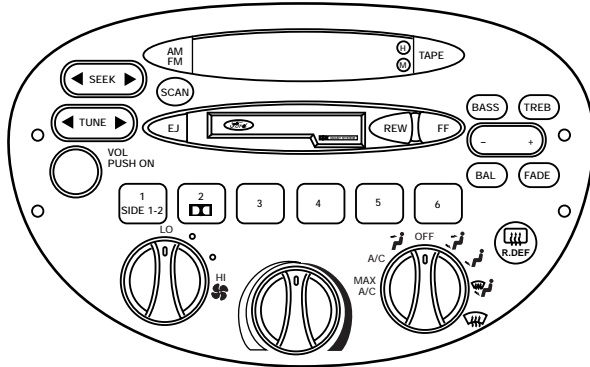
Audio Systems	2
Controls and Features	7
Display	16
Care and Cleaning	17
Radio Frequency Information	20
Index	21

# Audio Systems

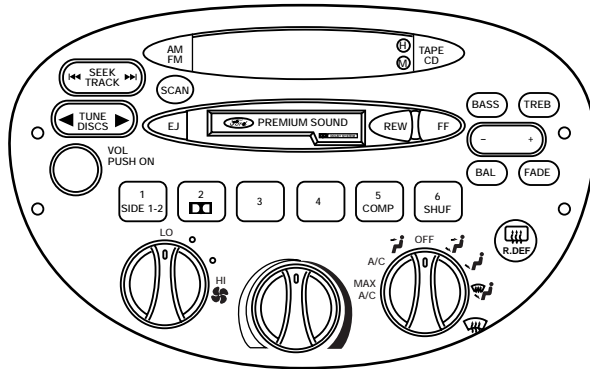
## Electronic Search Radio (ESR)



## Electronic Search Radio with Cassette (ESC)

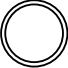

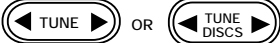
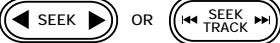
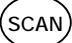







## ESC with Cassette & CD DJ (Compact Disc Changer)



\*Air conditioning systems optional

# Audio Systems






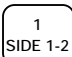

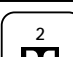
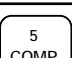
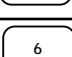

Audio System Feature	Name	Electronic Search Radio (ESR)	Electronic Search Radio with Cassette (ESC)	ESC with CD DJ (Compact Disc Changer)
	Volume/Power Control	✓	✓	✓
	AM/FM Select	✓	✓	✓
	Tune Adjust	✓	✓	✓
	Seek Function	✓	✓	✓
	Scan Function	✓	✓	✓
	Radio Station Memory Preset	✓	✓	✓
	Bass Adjust	✓	✓	✓
	Treble Adjust	✓	✓	✓
	Speaker Balance Adjust	✓	✓	✓
	Speaker Fade Adjust	✓	✓	✓

✓ = Feature included on audio system

# Audio Systems

## Audio System Feature

## Audio System

Name	Electronic Search Radio (ESR)	Electronic Search Radio with Cassette (ESC)	ESC with CD DJ (Compact Disc changer)
 OR 		✓	✓
			✓
		✓	✓
		✓	✓
		✓	✓
		✓	✓
		✓	✓
			✓
			✓
	✓	✓	✓

✓ = Feature included on audio system

## Controls and Features

### USING YOUR AUDIO SYSTEM

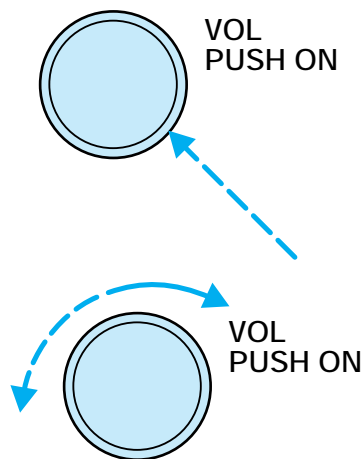
#### Turning the power on / adjusting the volume

To turn the audio system on or off, press the power knob.

To adjust the volume, turn the volume knob.

If you turn off the ignition, the audio system will come back on at the preset medium level when the ignition is turned back on.

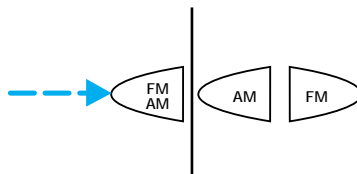
- Turning the knob to the right will increase the volume.
- Turning the knob to the left will decrease the volume.



#### Using the AM/FM select

The AM/FM select button works in radio, tape (if equipped), and CD (if equipped) modes.

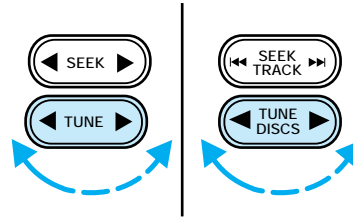
- In radio mode, the AM/FM select buttons allow choice between AM or FM frequency bands. Pressing the buttons switches between AM, FM1, and FM2 preset memory stations.
- In cassette mode, pressing the AM/FM select buttons stops cassette play and begins radio play.
- In CD mode, pressing the AM/FM select buttons stops CD play and begins radio play.



### Using the tune adjust

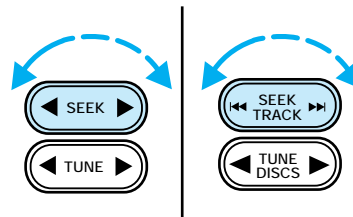
The tune button works in radio or CD (if equipped) mode.

- In radio mode, push ◀ to move to the next frequency down the band (whether or not there is a listenable station located there). Push ▶ to move to the next frequency up the band (whether or not there is a listenable station located there). Hold the button down to move quickly through the frequencies.
- In CD mode, push ◀ to select the previous disc in the CD changer. (Play will begin with the first track of the disc unless the CD changer is in shuffle mode. For more information on the shuffle function, see *Using the shuffle function* in this guide.) Hold the button down to continue reversing through the discs.
- Push ▶ to select the next disc in the CD changer. Hold the button down to fast forward through the discs.



### Using the seek function

- In radio mode, press seek ◀ or ◀◀ to find the next listenable station down the frequency band.
- Press seek ▶ or ▶▶ to find the next listenable station up the frequency band.
- In the tape mode, press seek ◀ or ◀◀ to listen to the previous tape selection.

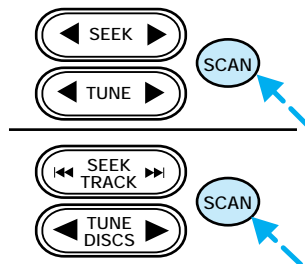


## Controls and Features

- Press seek ► to listen to the next selection on the tape.
- In CD mode, press seek track ◀ to listen to the previous CD track. If a selection has been playing for more than three seconds and the ◀ is pressed, the CD will replay the selection from the beginning.
- Press seek track ► to listen to the next track on the CD. If you are playing the last track when ► is pressed, the disc will skip back to the first track on the CD.

### Using the scan function

- In radio mode, press the scan button to hear a five-second sampling of all listenable stations on the frequency band. To stop the scan mode on a particular station, press the button again.
- In tape mode, press the scan button to hear an eight-second sampling of all tape selections. (The tape scans in a forward direction. At the end of the tape's first side, the direction automatically reverses to the opposite side of the tape.) To stop at a particular tape selection, press the scan button again.
- In CD mode, press the scan button to hear an eight-second sampling of all CD selections. (The CD scans in a forward direction, wrapping back to the





## Controls and Features

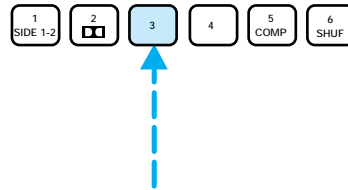
first track at the end of the CD.)  
To stop at a particular selection,  
press the scan button again.

### Using the radio station memory preset

The radio is equipped with six station memory preset buttons. These buttons may be used to select up to six preset AM stations and twelve preset FM stations (six in FM1 and six in FM2).

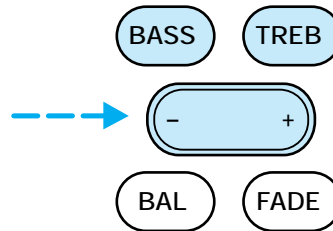
To preset stations:

1. Use the AM/FM select buttons to choose a frequency band.
2. Select a station. For more information on selecting a station, see *Using the tune adjust* in this guide.
3. Press and hold a memory preset button until the sound resumes, indicating that the station is held in memory on the button that you selected.



### Using the bass and treble adjust

The bass and treble adjust buttons allow you to increase (+) or decrease (-) the bass and treble output.



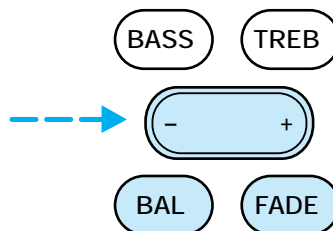
## Controls and Features

### Using the speaker balance adjust

Speaker sound distribution may be adjusted between the right (+) and left (-) speakers by using the balance button.

Speaker sound distribution may be adjusted between the front (+) and back (-) speakers by using the fade button.

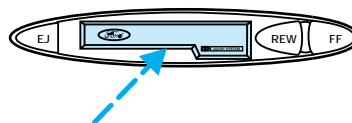
To test speaker functions, press and hold radio memory preset buttons three and six. The audio system will automatically run through each of the possible speaker outputs (front left, front right, rear left, rear right). The system display will show what speaker is being tested.



### Using your cassette player (if equipped)

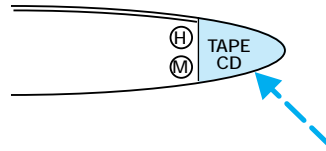
Push only slightly when inserting a cassette tape (with the open edge to the right). A cassette deck loading mechanism pulls the tape in the rest of the way. The ignition and radio do not need to be on to insert a tape.

You can switch from CD (if equipped) to tape play by inserting a tape into the cassette deck.



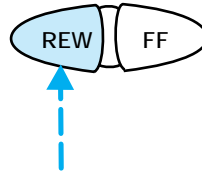
### Using the tape/CD select (if equipped)

- To begin tape play (with a tape loaded into the audio system), while in the radio or CD mode, press the tape button. Pressing the button during rewind or fast forwarding stops the rewind or fast forward function.
- To begin CD play (if CDs are loaded in the CD changer), press the CD button. The first track of the disc will begin playing.

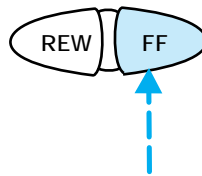


### Using the rewind and fast forward functions (if equipped)

To rewind a tape or CD, press the rewind button.



To fast forward a tape or CD, press the fast forward button.



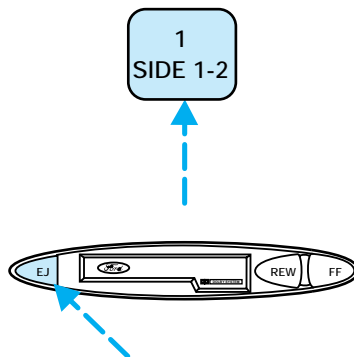
- In tape mode, at the end of the first side of the tape the direction automatically reverses and the opposite side of the tape plays.

## Controls and Features


### Using the tape direction select (if equipped)


To play the alternate side of a tape, press the tape direction select button (preset #1).

To stop and eject a cassette tape, press the eject button. If the radio power is on when you eject a tape, the radio begins playing.



### Dolby® noise reduction (if equipped)

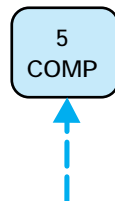
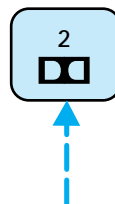
To activate and then deactivate the Dolby® noise reduction in tape or CD mode, press the  (preset #2).

The noise reduction system is manufactured under license from Dolby® Labs Licensing Corporation. Dolby and  are trademarks of Dolby® Laboratories Licensing Corporation.

### Using the compression adjust (if equipped)

To bring soft and loud CD passages closer together for a more consistent listening level, press the compression adjust button (preset #5).

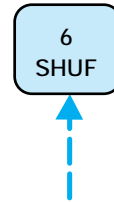
Press again to turn off the feature.



### Using the shuffle function ( if equipped)

To listen to tracks on the current CD in random order, press the shuffle button (preset #6).

Random order play continues until the button is pressed again.



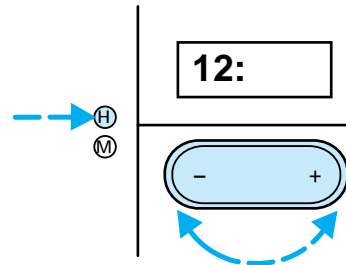
### Setting the clock

The time is displayed:

- until an audio function button is pressed.
- approximately ten seconds after each audio system change.
- when the audio system is off and the ignition is ON.

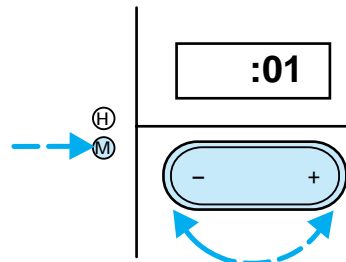
To set the clock:

1. Press the **(H)** and use the bass/ treble/ speaker adjust button to move to the desired hour.



2. Press the **(M)** and use the bass/ treble/ speaker adjust button to move to the desired minute.

If you choose to adjust only the hour or the minute (not both at the same time), adjust and the clock will automatically revert to the new time (complete with both adjusted and unadjusted digits displayed).



## Controls and Features

### Using the Ford compact disc player (if equipped)

The CD changer is located in the trunk of your vehicle.

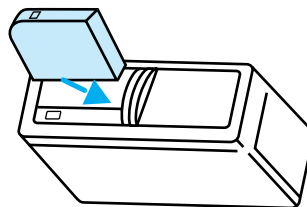
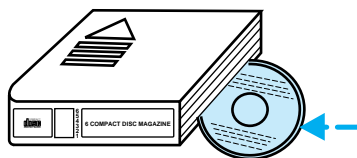
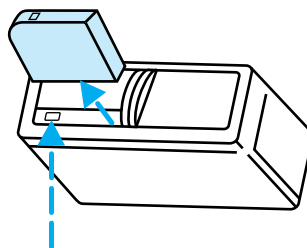
To access the CD changer magazine, slide the magazine's left door panel to the right.

Press ▲ to eject the CD magazine from the changer.

The CD magazine may be ejected or inserted without the vehicle key in the ignition and without the radio power on.

Make sure that only one disc is inserted in each slot, and that the discs are inserted with the label surface upward. You may insert up to six discs.

Insert the CD magazine into the changer.



The magazine does not need to be full in order for the CD changer to operate.





Radio power must be on in order to play the CDs in the CD changer.

## Controls and Features



The laser beam used in the compact disc player is harmful to the eyes; do not attempt to disassemble the player unit.

## Display

<b>Display</b>	<b>Information</b>
 ®	Indicates Dolby® Noise Reduction activation
	Indicates tape play
1 or 2	Indicates side of tape playing
	Indicates tape is rewinding or fast forwarding
CD-##	Indicates CD number playing (e.g., CD-01, CD-02, etc.)
TR-##	Indicates CD track number playing (e.g., TR-01, TR-02, etc.)
##-##	Indicates CD number and track number (e.g., 03-10, etc.)
NO DISC	Indicates CD changer is empty
C	Indicates CD compression factor activation
SHF ##-##	Indicates shuffle feature activation and disc and track number playing
NO CD	Indicates empty slot, mechanical error, unreadable disc, focus error, or system shutdown due to high heat
NO DJ	Indicates CD changer not connected or not communicating
AM, FM1, FM2	Indicate frequency band audio system is in
87.9 to 107.9 FM (530 to 1610 AM)	Indicates currently playing radio station
	Indicates stereo operation
Illuminated bars	Indicate volume, relative level of bass and treble, and relative levels of speaker balance and fade
TAPE	Indicates tape is playing
SC	Indicates tape is scanning
NO TAPE	Indicates no tape in player when tape select button is pushed



### **Troubleshooting problems with your compact disc player**

If play does not begin once a disc is inserted:

- the radio is not on.
- the unit is in the stop mode.
- moisture is condensed on the lenses within the unit. Remove the disc and wait approximately one hour for moisture to evaporate.

If the sound skips:

- you may be traveling on a rough road or playing badly scratched discs. Skipping will not scratch the discs or damage the player.

If the CD player does not work:

- the disc is already loaded into the player.
- the disc is inserted with the label surface downward.
- the disc is dusty or defective.
- the player's internal temperature is above 75°C (167°F). Allow the player to cool down before operating.
- a disc with format and dimensions not within industry standards is inserted.

### **Caring for your compact discs and player (if applicable)**

- Handle discs by their edges only. Never touch the playing surface.

## Care and Cleaning

- Do not expose discs to direct sunlight or heat sources for extended periods of time.
- Do not insert more than one disc into the CD player's CD slot.

### **Caring for your cassettes and cassette player (if applicable)**

- Only use cassettes that are 90 minutes long or less.
- Do not expose tapes to direct sunlight, high humidity, extreme heat, or extreme cold. Allow tapes that may have been exposed to extreme temperatures to reach a moderate temperature before playing.
- Tighten very loose tapes by inserting a finger or pencil into the hole and turning the hub.
- Remove loose labels before inserting tapes.
- Do not leave tapes in the cassette player for an extended period when not being played.

# Radio Frequency Information

## RADIO FREQUENCY INFORMATION

The Federal Communications Commission (FCC) and the Canadian Radio and Telecommunications Commission (CRTC) establish the frequencies AM and FM stations may use for their broadcasts. Allowable frequencies are:

AM 530, 540—1600, 1610 kHz in 10 kHz steps

FM 87.9, 88.1—107.7, 107.9 Mhz in .02 Mhz steps

Not all frequencies are used in a given area.

### Radio reception factors

Three factors primarily affect radio reception:

- **Distance/strength.** The farther an FM signal travels, the weaker it is. The listenable range of the average FM station is approximately 40 km (24 miles). This range can be affected by signal modulation. Signal modulation is a process radio stations use to increase their strength and/or volume relative to other stations.
- **Terrain.** Hills, mountains, and tall buildings between your vehicle's antenna and the radio station signal can cause FM signal reception problems. Static can be caused on AM stations by power lines, electric fences, traffic lights, and thunderstorms.

## Radio Frequency Information

Moving away from the interfering structure (out of its “shadow”) returns your reception to normal.

- **Station overload.** Weak stations are sometimes captured by stronger stations when you pass a broadcast tower. A stronger station may temporarily overtake a weaker station and play while the weak station 's frequency is displayed.

The audio system automatically switches to single channel reception if it will improve the reception of a station normally received in stereo.

AM/FM select .....	6	Fast forward function .....	11
Audio power .....	6	Memory preset buttons .....	9
Bass adjust .....	9	Power button .....	6
Cassette player		Radio frequency	
operation .....	10,18	information .....	19
CD select .....	11	reception .....	19
Cleaning your vehicle		Rewind function .....	11
CD player and discs .....	17	Scan function .....	8
Clock		Seek function .....	7
setting the clock .....	13	Shuffle mode .....	13
Compact disc changer		Speaker balance adjust .....	10
care .....	17	Stations	
operation .....	14	selecting .....	9
troubleshooting .....	17	Tape direction select .....	12
Compression adjust .....	12	Tape select .....	11
Display .....	16	Treble adjust .....	9
Dolby® noise reduction .....	12	Tune adjust .....	7