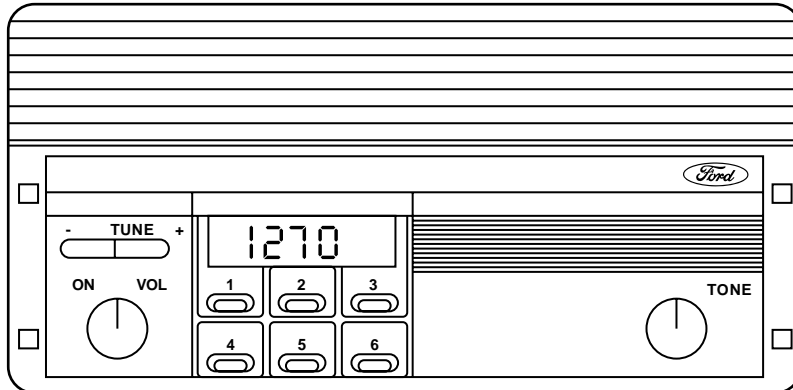


## Table of contents

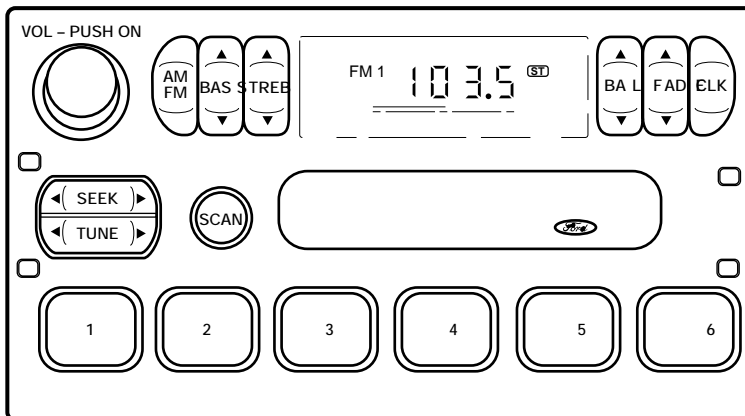
Audio systems	2
Controls and features	4
Display	19
Care and cleaning	20
Radio frequency information	21
Warranties and service	22
Index	23

## Audio systems

### ELECTRONIC AM RADIO (IF EQUIPPED)

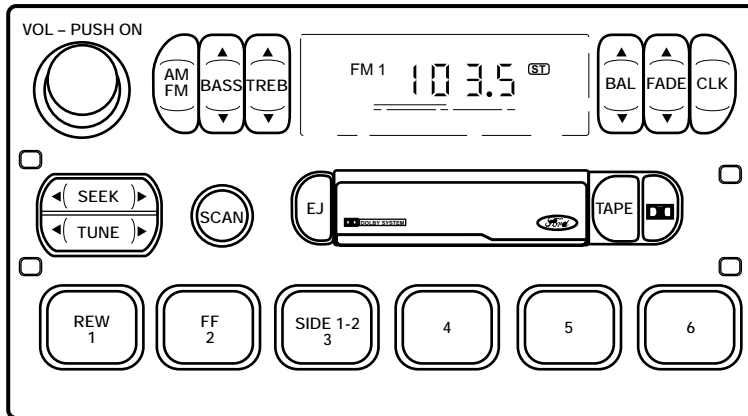


### ELECTRONIC STEREO RADIO (IF EQUIPPED)


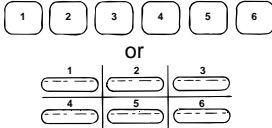





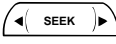
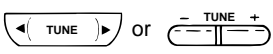



## Audio systems

### ELECTRONIC STEREO RADIO WITH CASSETTE (IF EQUIPPED)







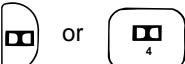
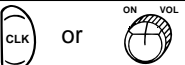


## Controls and features

Audio System Feature	Audio System	Electronic AM Radio	Electronic Search Radio (ESR)	Electronic Search Radio with Cassette (ESC)
Name				
	Volume/Power Control	✓	✓	✓
	Radio Station Memory Preset	✓	✓	✓
	AM/FM Select		✓	✓
	Bass Adjust		✓	✓
	Treble Adjust		✓	✓
	Speaker Balance Adjust		✓	✓
	Speaker Fade Adjust		✓	✓
	Seek Function		✓	✓
	Tune Adjust	✓	✓	✓
	Scan Function		✓	✓

✓ = Feature included on audio system

## Controls and features

Audio System Feature	Name	Electronic AM Radio	Electronic Search Radio (ESR)	Electronic Search Radio with Cassette (ESC)
	Tape Eject			✓
	Tone Adjust	✓		
	Tape Play Select			✓
	Rewind Function			✓
	Fast Forward Function			✓
	Tape Direction Select			✓
	Dolby® Noise Reduction			✓
	Clock	✓	✓	✓

✓ = Feature included on audio system

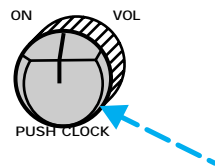
## Controls and features

### USING RADIO CONTROLS

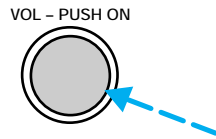
#### Volume/power control

Press the control to turn the audio system on or off.

- AM radio

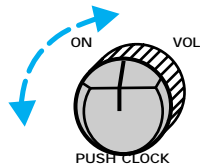


- AM/FM or AM/FM cassette radio



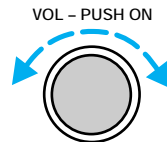
Turn control to raise or lower volume.

- AM radio



## Controls and features

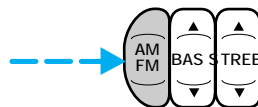
- AM/FM or AM/FM cassette radio



If the volume is set above a certain level and the ignition is turned off, the volume will come back on at a “nominal” listening level when the ignition is turned back on. If you wish to maintain your preset volume level, turn the audio system off with the power control before switching off the ignition.

### **AM/FM select**

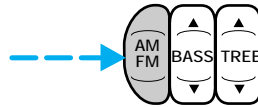
The AM/FM select control works in radio and tape modes (if equipped).



## Controls and features

### **AM/FM select in radio mode**

This control allows you to select AM or FM frequency bands. Press the control to switch between AM, FM1 or FM2 memory preset stations.



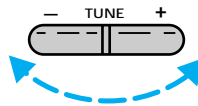
### **AM/FM select in tape mode**

Press this control to stop tape play and begin radio play.

### **Tune adjust**

#### **AM radio:**

- Press the left side of the control to move to the next frequency down the band (whether or not a listenable station is located there). Hold the control to move through the frequencies quickly.
- Press the right side of the control to move to the next frequency up the band (whether or not a listenable station is located there). Hold for quick movement.

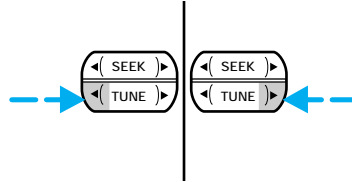




## Controls and features

### AM/FM or AM/FM cassette radio:

- Press the ◀ to move to the next frequency down the band (whether or not a listenable station is located there). Hold the control to move through the frequencies quickly.
- Press the ▶ to move to the next frequency up the band (whether or not a listenable station is located there). Hold for quick movement.

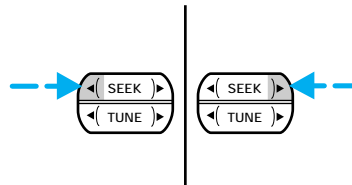


### Seek function

The seek function control works in radio and tape mode (if equipped).

#### **Seek function in radio mode**

- Press ◀ to find the next listenable station down the frequency band.



- Press ▶ to find the next listenable station up the frequency band.

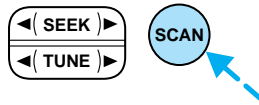
#### **Seek function in tape mode**

- Press ◀ to listen to the previous selection on the tape.
- Press ▶ to listen to the next selection on the tape.

## Controls and features

### Scan function

The scan function works in radio and tape mode (if equipped).



### **Scan function in radio mode**

Press the SCAN control to hear a brief sampling of all listenable stations on the frequency band. Press the control again to stop the scan mode.

### **Scan function in tape mode**

Press the SCAN control to hear a short sampling of all selections on the tape. (The tape scans in a forward direction. At the end of the tape's first side, direction automatically reverses to the opposite side of the tape.) To stop on a particular selection, press the control again.

### **Radio station memory preset**

The radio is equipped with six station memory preset controls.

#### **AM radio:**

These controls can be used to select up to six preset AM stations.

#### **AM/FM or AM/FM cassette radio:**

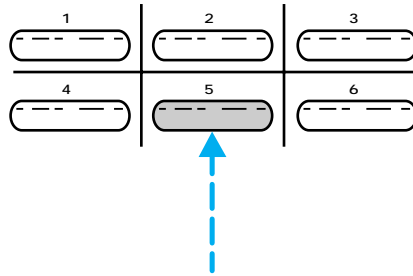
These controls can be used to select up to six preset AM stations and twelve FM stations (six in FM1 and six in FM2).

## Controls and features

### Setting memory preset stations

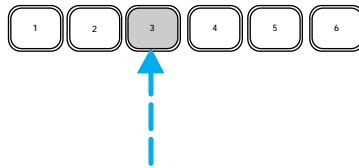
#### AM Radio:

1. Select a station. Refer to *Tune adjust* for more information on selecting a station.
2. Press and hold a memory preset control until the sound returns, indicating the station is held in memory on the control you selected.



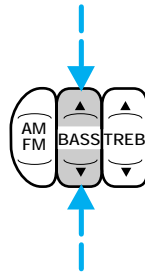
#### AM/FM or AM/FM cassette radio:

1. Select the frequency band with the AM/FM select control.
2. Select a station. Refer to *Tune adjust* or *Seek function* for more information on selecting a station.
3. Press and hold a memory preset control until the sound returns, indicating the station is held in memory on the control you selected.



#### Bass adjust

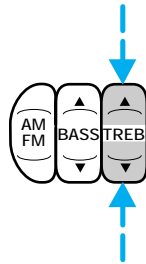
The bass adjust control allows you to increase or decrease the audio system's bass output.



## Controls and features

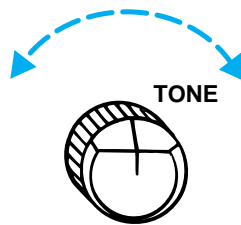
### Treble adjust

The treble adjust control allows you to increase or decrease the audio system's treble output.



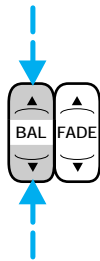
### Tone adjust

The tone control adjusts the bass and treble balance. Rotate the control clockwise to increase the treble response and counterclockwise to increase the bass response.



### Speaker balance adjust

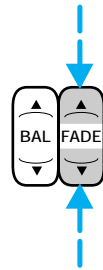
Speaker sound distribution can be adjusted between the right and left speakers.



## Controls and features

### Speaker fade adjust

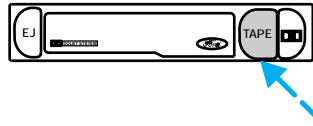
Speaker sound distribution can be adjusted between the front and rear speakers.



### Tape play select

Press the TAPE control to begin tape play (with a tape loaded in the audio system while in radio mode).

Pressing the control during rewinding and fast-forwarding stops the rewind or fast-forward function.



### Rewind

The rewind control (REW) works in tape modes (if equipped).

#### **Rewind function in tape mode**

After pressing REW, the radio plays until rewind is stopped (with the tape control) or the beginning of the tape is reached.



## Controls and features

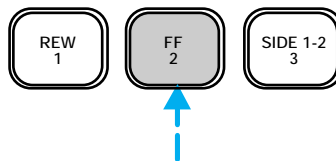
### Fast forward

The fast forward control (FF) works in tape mode (if equipped).

#### ***Fast forward function in tape mode***

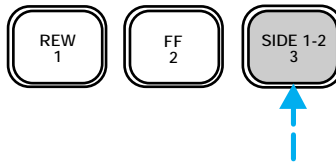
After pressing FF, the radio plays until the fast forward function is stopped (with the tape play select control or the fast forward control) or the end of the tape is reached.

At the end of the first side of the tape, direction automatically reverses and the opposite side of the tape plays.



### Tape direction select

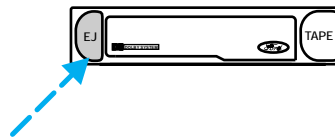
Press SIDE 1-2 to play the alternate side of a tape.



## Controls and features


### Tape eject

Press EJ to stop and eject a cassette tape.

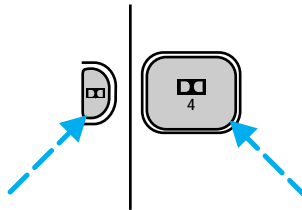


### Dolby® noise reduction

Dolby® noise reduction operates only in tape mode. Dolby® reduces the amount of hiss and static during tape playback.

Press the  button to activate (and deactivate) Dolby® noise reduction.

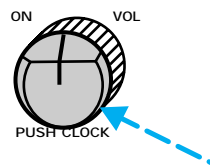
The noise reduction system is manufactured under license from Dolby Laboratories Licensing Corporation.



### Clock

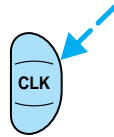
Press the control to display the time on the audio system display.

- AM radio



## Controls and features

- AM/FM or AM/FM cassette radio



Time is displayed:

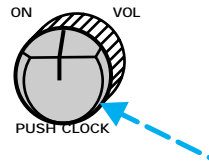
- until an audio function control is pressed.
- approximately ten seconds after each audio system change.
- when the audio system is off and the ignition is ON.

To remove the clock display, press the control again.

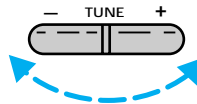
### **Setting the clock**

#### **AM radio:**

Hold the control and press:



- the left side of TUNE control to increase hour.
- the right side of TUNE control to increase minutes.





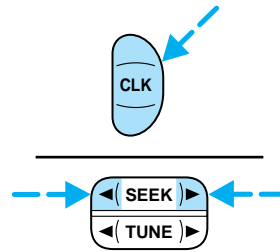
## Controls and features

### AM/FM or AM/FM cassette radio:

To set the hour, hold the CLK control and press:

◀ to increase hour and

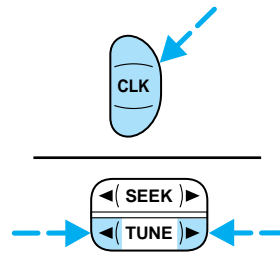
▶ to decrease hours.



To set the minute, hold the CLK control and press:

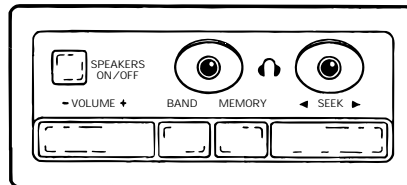
◀ to increase minutes and


▶ to decrease minutes.

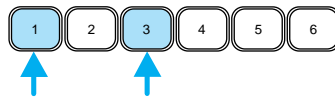


### REAR SEAT CONTROLS (IF EQUIPPED)

The rear seat controls allow the rear seat passengers to operate the radio and use headphones.



To turn on the rear seat controls, press the memory preset controls 1 and 3 at the same time. The  will appear in the display.



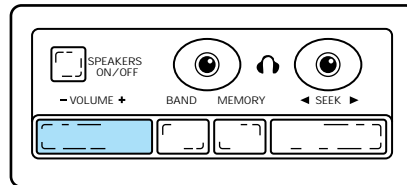
Pressing 1 and 3 at the same time again will turn the rear seat controls off.

## Controls and features

### Adjusting volume

Press the + control to increase volume.

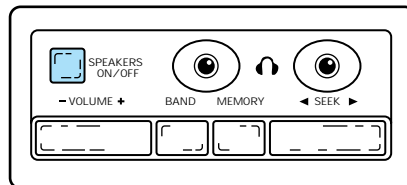
Press the — control to decrease volume.




From the rear seat controls, volume control can be set no higher than the current radio setting unless the speakers are turned off. Refer to *Turning speakers on and off*.



### Turning the speakers on and off

Press to turn the speakers on or off.



### Using headphones

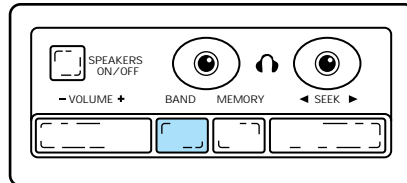
Plug a 3.5 mm headphone (not included) into the  jack to operate headphones with speakers turned off.

Plug headphone jack into the   jack to operate headphones with the speakers turned on.

## Display

### AM or FM select

Push the BAND control to change the frequency band between AM, FM1 and FM2.



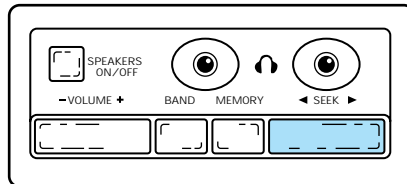
### Memory preset button

Push the MEMORY control to access the station you have set into memory preset 1.

Push the MEMORY control successively to access stations 1-6.

### Seek function

Press the ► side of the SEEK control to seek the next highest radio station.

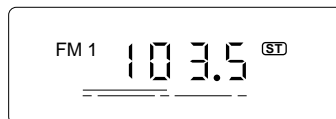


Press the ◀ side of the SEEK control the next lower radio station.






In tape mode, use the SEEK function to access the next ► or previous ◀ selection.

### DISPLAY

The display screen gives information on the status of the audio system.



## Care and cleaning

Display↵	Information
AM, FM1, FM2↵	Indicates frequency band audio system is in.
87.9 to 107.9/530 to 1610↵	Indicates currently playing radio station
 (ST)	Indicates stereo operation
Illuminated bars↵	Indicates volume, relative level of bass and treble and relative levels of speaker balance and fade.
TAPE↵	Indicates tape is playing
SC↵	Indicates tape is scanning
NO TAPE↵	Indicates no tape in player when tape select button is pushed.
	Indicates↵ Dolby® Noise↵ Reduction activation
	Indicates tape play
1 or 2↵	Indicates side of tape playing
	Indicates↵ tape↵ is↵ rewinding↵ or↵ fast forwarding
	Indicates rear seat control is on.

### CLEANING CASSETTE PLAYER

Clean the tape player head with a cassette cleaning cartridge after ten to twelve hours of play to maintain the best sound and operation.

### CASSETTE AND CASSETTE PLAYER CARE

- Use only cassettes that are 90 minutes long or less.
- Do not expose tapes to direct sunlight, high humidity, extreme heat or extreme cold. Allow tapes that may have been exposed to extreme

## Radio frequency information

temperatures to reach a moderate temperature before playing.

- Tighten very loose tapes by inserting a finger or pencil into the hole and turning the hub.
- Remove loose labels before inserting tapes.
- Do not leave tapes in the cassette player for a long time when not being played.

### **RADIO FREQUENCY INFORMATION**

The Federal Communications Commission (FCC) and the Canadian Radio and Telecommunications Communications (CRTC) establish the frequencies AM and FM stations may use for their broadcasts. Allowable frequencies are:

AM 530, 540–1600, 1610 kHz steps

FM 87.9, 88.1–107.1, 107.9 Mhz steps

Not all frequencies are used in a given area.

### **RADIO RECEPTION FACTORS**

Three factors can affect radio reception:

- Distance/strength. The further an FM station travels, the weaker it is. The listenable range of the average FM station is approximately 40 km (24 miles). This range can be

## Warranties and service

affected by “signal modulation.” Signal modulation is a process radio stations use to increase their strength/volume relative to other stations.

- Terrain. Hills, mountains and tall buildings between your vehicle’s antenna and the radio station signal can cause FM reception problems. Static can be caused on AM stations by power lines, electric fences, traffic lights and thunderstorms. Moving away from an interfering structure (out of its “shadow”) returns your reception to normal.
- Station overload. Weak stations are sometimes captured by stronger stations when you pass a broadcast tower. A stronger station may temporarily overtake a weaker station and play while the weak station frequency is displayed.

The audio system automatically switches to single channel reception if it will improve the reception of a station normally received in stereo.

### **WARRANTIES AND SERVICE**

Refer to the “Warranty Guide” for audio system warranty information.

If service is necessary, see your dealer or a qualified technician.

## Index

AM/FM select .....	7	Rewind function .....	13
Audio power .....	6	Scan function .....	10
Bass adjust .....	11	Seek function .....	9
Clock .....	15	Speaker balance adjust .....	12
Display .....	19	Stations	
Dolby		selecting .....	10
Pr noise reduction .....	15	Tape direction select .....	14
Fast forward function .....	14	Tape select .....	13
Radio frequency		Treble adjust .....	12
information .....	21	Warranties	
reception .....	21	radio .....	22