



## Econoline/Club Wagon

---

Your satisfaction is our #1 goal. If you have questions or concerns with your vehicle, we suggest you follow these steps:

1. Contact your Sales Representative or Service Advisor at your selling/servicing dealership.
2. If the inquiry or concern remains unresolved, contact the Sales Manager or Service Manager at the dealership.
3. If the inquiry or concern cannot be resolved at the dealership level, please contact the Ford Customer Assistance Center.

In the United States:

**Ford Motor Company  
Customer Assistance Center  
300 Renaissance Center  
P.O. Box 43360  
Detroit, MI 48243  
1-800-392-3673 (FORD)  
TDD for the hearing impaired: 1-800-232-5952**

In Canada:

**Customer Assistance Centre  
Ford Motor Company of Canada, Limited  
P.O. Box 2000  
Oakville, Ontario L6J 5E4  
1-800-565-3673 (FORD)**

Outside the U.S. or Canada:

**FORD MOTOR COMPANY  
WORLDWIDE EXPORT OPERATIONS  
1555 Fairlane Drive  
Fairlane Business Park #3  
Allen Park, Michigan 48101  
Telephone: (313) 594-4857  
Fax: (313) 390-0804**

All rights reserved. Reproduction by any means, electronic or mechanical, including photocopying, recording, or by any information storage and retrieval system or translation in whole or part is not permitted without written authorization from Ford Motor Company.

Copyright © 1995 Ford Motor Company

---

# Table of Contents

---

Introductory Information .....	1
Safety Restraints .....	11
Starting Your Econoline .....	55
Warning Lights and Gauges .....	67
Instrument Panel Controls .....	81
Steering Column Controls .....	99
Features .....	113
Electronic Sound Systems .....	149
Driving Your Econoline .....	195
Roadside Emergencies .....	243
Customer Assistance .....	259
Reporting Safety Defects.....	266
Accessories .....	271
Servicing Your Econoline .....	279
Quick Index .....	369
Index .....	377

---

# Introductory Information

---

## Ford's Commitment to You

At Ford Motor Company, excellence is the continuous commitment to achieve the best result possible. It is dedication to learning what you want, determination to develop the right concept, and execution of that concept with care, precision, and attention to detail. In short, excellence means being the standard by which others are judged.

### Our Guiding Principles

- Quality comes first.** For your satisfaction, the quality of our products and services must be our number one priority.
- You are the focus of everything we do.** Our work must be done with you in mind, providing better products and services than our competition.
- Continuous improvement is essential to our success.** We must strive for excellence in everything we do: in our products — in their safety and value — and in our services, our human relations, our competitiveness, and our profitability.
- Employee involvement is our way of life.** We are a team. We must treat one another with trust and respect.
- Dealers and suppliers are our partners.** We must maintain mutually beneficial relationships with dealers, suppliers, and our other business associates.

- **Integrity is never compromised.** Our conduct worldwide must be pursued in a manner that is socially responsible and commands respect for its integrity and for its positive contributions to society.

## Things to Know About Using This Guide

Congratulations on the purchase of your new vehicle. This guide has information about the equipment and the options for your new vehicle. You may not have bought all of the options available to you. If you do not know which information applies to your vehicle, talk to your dealer.

This guide describes equipment and gives specifications for equipment that was in effect when this guide was approved for printing. Ford may discontinue models or change specifications or design without any notice and without incurring obligation.

### NOTES and WARNINGS

**NOTES** give you additional information about the subject matter you are referencing.

**WARNINGS** remind you to be especially careful in those areas where carelessness can cause damage to your vehicle or personal injury to yourself, your passengers or other people. Please read all **WARNINGS** carefully.



## **Finding Information in This Guide**

After you have read this guide once, you will probably return to it when you have a specific question or need additional information. To help you find specific information quickly, you can use the table of contents or the index.

The **Quick Index** at the end of the book provides a page number following each item which indicates where detailed information can be found.

This guide has a **table of contents** at the beginning of the book to show chapter titles.

To use the **Index**, turn to the back of the book and search in the alphabetical listing for the word that best describes the information you need. If the word you chose is not listed, think of other related words and look them up. We have designed the Index so that you can find information under a technical term.

## **Canadian Owners — French Version**

French Owner Guides can be obtained from your dealer or by writing to Ford Motor Company of Canada, Limited, Service Publications, P.O. Box 1580, Station B, Mississauga, Ontario L4Y 4G3.

## **Your Maintenance Schedule and Record Booklet**

The *Maintenance Schedule and Record* booklet lists the services that are most important for keeping your vehicle in good condition. A record log is also provided to help you keep track of all services performed.

## **About the Warranties**

Your vehicle is covered by three types of warranties: Basic Vehicle Warranty, Extended Warranties on certain parts, and Emissions Warranties.

Read your *Warranty Information Booklet* carefully to find out about your vehicle's warranties and your basic rights and responsibilities.

If you lose your *Warranty Information Booklet*, you can get a new one free of charge. Contact any Ford or Lincoln-Mercury dealer, or refer to the addresses and phone numbers on the first page of this owner guide.

### **Buying a Ford Extended Service Plan**

If you bought your vehicle in the U.S., you can buy a Ford Extended Service Plan for your vehicle. This optional contract provides service protection for a longer period of time than the basic warranty that comes with your vehicle.

You do not have to buy this option when you buy your vehicle. However, your option to purchase the Ford Extended Service Plan runs out after 18 months or 18,000 miles. See your dealer for more details about the Ford Extended Service Plan.

If you purchased a Canadian vehicle and did not take advantage of the Ford Extended Service Plan at the time of purchase, you may still be eligible. See your dealer for the details.

## Special Notices

### NOTICE TO OWNERS OF LIGHT TRUCK AMBULANCE CONVERSIONS

If your light truck is equipped with the **Ford Ambulance Preparation Package**, it can be utilized as an ambulance. Ford urges ambulance manufacturers to follow the recommendations of the **Ford Incomplete Vehicle Manual**, **Ford Truck Body Builder's Layout Book**, and the **QVM Guidelines** as well as pertinent supplements. For further information, please call the Light Truck Body Builders Advisory Service on 1-800-635-5560.

Use of your Ford light truck as an ambulance, without the **Ford Ambulance Preparation Package** voids the Ford New Vehicle Limited Warranty and may void the Emissions Warranties. In addition, ambulance usage without the preparation package could cause high underbody temperatures, overpressurized fuel, and a risk of spraying fuel which could lead to fires. If your light truck is equipped with the **Ford Ambulance Preparation Package** it will say so on its information decal. The decal is located on the driver's side door pillar or on the rear edge of the driver's door. You can determine whether the ambulance manufacturer followed Ford's recommendations by directly contacting that manufacturer. **NOTE: Ford Ambulance Preparation Package** is only available on certain 7.3L Diesel Econoline and F-Series vehicles.



## NOTICE TO OWNERS OF DIESEL-POWERED VEHICLES

Read the *7.3L Diesel Engine Owner's Guide Supplement* for information regarding correct operation and maintenance of your diesel-powered light truck.

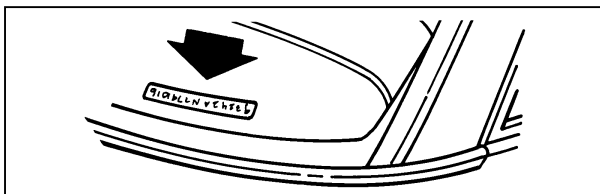
### Your Vehicle Identification Number (VIN)

Your Vehicle Identification Number (VIN) is the same as the warranty number that appears on your owner card. You should include this number any time you write to Ford Motor Company about your vehicle.

The Vehicle Identification Number is attached to your vehicle in the following places:

#### ***Complete Ford Built Vehicles***

- on the metal tag attached to the top of the instrument panel on the driver's side — you can see the tag by looking through the windshield from outside your vehicle.



#### **Vehicle Identification Number (VIN/Serial Number)**

- on the Safety Compliance Certification Label — this label is attached to the left front door lock facing or the door latch post pillar. It is required by the National Highway Traffic Safety Administration and is made of special material. If someone tampers with it, it will be destroyed and/or a destruction pattern will appear.

The label contains the name of the manufacturer, the month and year of manufacture, the certification statement and the Vehicle Identification Number. The label also contains Gross Vehicle Weight Rating and Gross Axle Weight Ratings, wheel and tire data and information codes for additional vehicle data. For further information about the Safety Compliance Certification Label and the information contained on it, refer to the Index.

### ***Incomplete Vehicles***

On completed derivations of incomplete vehicles, the Safety Compliance Certification Label is affixed at a location determined by a subsequent stage manufacturer of the completed vehicle. In these cases the completed vehicle is manufactured in two (or more) stages by two (or more) separate manufacturers, with the manufacture of the completed vehicle occurring at a later date than the manufacture of the incomplete vehicle. Consequently, the model year of the completed vehicle may be later than the model year of its chassis.

### **Federal Highway Administration Regulation**

Regulations such as those issued by the Federal Highway Administration or issued pursuant to the Occupational Safety and Health Act (OSHA), and/or state and local laws and regulations may require additional equipment for the way you intend to use the vehicle. It is the responsibility of the registered owner to determine the applicability of such laws and regulations to your intended use for the vehicle, and to arrange for the installation of required equipment. Your Ford dealer has information about the availability of many items of equipment which may be ordered for your vehicle.

## Breaking Your Vehicle In

Your new vehicle goes through an adjustment or break-in period during the first 1,000 miles (1,600 km) that you drive it. During the break-in period, you need to pay careful attention to how you drive your vehicle.

**Avoid sudden stops.** Because your vehicle has new brake linings, you should take these steps:

- Watch traffic carefully so that you can anticipate when to stop.
- Begin braking well in advance.
- Apply the brakes gradually.

The break-in period for new brake linings lasts for 100 miles (160 km) of city driving or 1,000 miles (1,600 km) of highway driving.

Wheel lug nuts must be retightened to proper torque specifications at 500 miles/800 km of new vehicle operation. Proper torque specifications are provided in this guide. Also retighten to proper torque specification at 500 miles/800 km after any wheel change or any other time the wheel lug nuts have been loosened.

**Use only the type of engine oil that Ford recommends.** See *Engine oil recommendations* in the Index. Do not use special “break-in” oils.

# **Cleaning the Outside of Your Vehicle**

## **Washing and Polishing Your Vehicle**

Wash the outside of your vehicle, including the underside, with a mild detergent.

DO NOT:

- Wash your vehicle with hot water
- Wash your vehicle while it sits in direct sunlight
- Wash your vehicle while the body is hot

Pollen, bird droppings and tree sap can damage the paint, especially in hot weather. Wash your vehicle as often as necessary to keep it clean.

Take similar precautions if your vehicle is exposed to chemical industrial fallout.

Paint damage resulting from fallout is not related to a defect in paint materials or workmanship and therefore is not covered by warranty. Ford, however, believes that continual improvement in customer satisfaction is a high priority. For this reason, Ford has authorized its dealers to repair, at no charge to the owner, the surfaces of new vehicles damaged by environmental fallout within 12 months or 12,000 miles (20,000 km) of purchase, whichever comes first. Customers may be required to bring their vehicle in for inspection by a Ford representative.

Polish your vehicle to remove harmful deposits and protect the finish.

## **Cleaning Chrome and Aluminum Parts**

Wash chrome and aluminum parts with the same detergent you use to wash the vehicle body, such as Ford Premium Car Wash Concentrate. You can use Ford Extra Strength Tar and Road Oil Remover or equivalent to clean grease, oil, and tar from chrome-plated parts, including wheelcovers, aluminum wheels, bumpers, or anodized aluminum parts.

## **Cleaning Plastic Parts**

Some of your vehicle's exterior trim parts are plastic. Clean with a tar and road oil remover if necessary. Use a vinyl cleaner for routine cleaning.

Do not clean plastic parts with thinners, solvents or petroleum-based cleaners.

If you have your vehicle rustproofed, remove oversprayed rustproofing with a tar and road oil remover. If rustproofing is not removed from plastic and rubber parts, it can cause deterioration.

---

# Safety Restraints

---

## Important Safety Belt Information

The use of safety belts helps to restrain you and your passengers in case of a collision. In most states and in Canada the law requires their use.

Safety belts provide best restraint when:

- the seatback is upright
- the occupant is sitting upright (not slouched)
- the lap belt is snug and low on the hips
- the shoulder belt is snug against the chest
- the knees are straight forward

To help you remember to fasten your safety belt, a warning light may come on and a chime may sound. See *Safety Belt Warning Light and Chime* in the *Warning Lights and Gauges* chapter.

See the following sections in this chapter for directions on how to properly use these safety belts. Also see *Safety Restraints for Children* in this chapter for special instructions about using safety belts for children.

 <b>WARNING</b>
--

<p><b>Make sure that you and your passengers wear safety belts. Always drive and ride with your seatback upright and the lap belt snug and low across the hips.</b></p>
---

**⚠️ WARNING**

**Passengers should not be allowed to ride in the cargo area. Persons not riding in a seat with a fastened seat belt are much more likely to suffer serious injury in a collision. Cargo should always be secured to prevent it from shifting and causing damage to the vehicle or harm to passengers.**

**⚠️ WARNING**

**Never let a passenger hold a child on his or her lap while the vehicle is moving. The passenger cannot protect the child from injury in a collision.**

**⚠️ WARNING**

**To reduce the risk of serious injury in a collision, children should always ride with the seatback upright.**

**⚠️ WARNING**

**Never wear the shoulder belt under the arm. Never swing it around the neck over the inside shoulder. Never use a single belt for more than one person or across more than one seating position. Each seating position in your vehicle has a specific safety belt assembly which is made up of one buckle and one tongue that are designed to be used as a pair. Failure to follow these precautions could increase the risk and/or severity of injury in a collision.**

**⚠ WARNING**

**Lock the doors of your vehicle before driving to lessen the risk of the door coming open in a collision.**

Your vehicle is equipped with a dual locking mode retractor on the shoulder belt portion of the combination lap/shoulder safety belt for front seat passenger and rear seat outboard passengers.

### **Dual Locking Mode Retractors**

#### **Vehicle Sensitive (Emergency) Locking Mode**

In this operating mode, the shoulder belt retractor will allow the occupant freedom of movement, locking tight only on hard braking, hard cornering or impacts of approximately 5 mph (8 km/h) or more.

The front seat belt retractor can also be made to lock by pulling/jerking on the belt.

#### **Automatic Locking Mode**

In this operating mode, the shoulder belt retractor will be automatically locked and remain locked when the combination lap/shoulder safety belt is buckled, and does not allow the occupant freedom of movement. This mode provides the following:

- A tight lap/shoulder belt fit on occupant
- Child seat/infant carrier installation restraint

This mode must be used when installing a child seat on the front passenger seat and rear outboard seats where dual locking retractors are provided.



To switch the retractor from the “emergency locking mode” to the “automatic locking mode,” perform the following steps:

1. Buckle the lap/shoulder combination belt.
2. Grasp the shoulder portion of the belt and pull downward until all of the belt is extracted, and when allowed to retract, a clicking sound will be heard. At this time, the belt retractor is in the “automatic locking mode” (child restraint mode).
3. A clicking sound will continue to be heard as the belt is allowed to retract. This indicates that the retractor is in the “automatic locking mode.”

**NOTE: When the combination lap/shoulder belt is unbuckled and allowed to retract completely, the retractor will switch back to the vehicle sensitive (emergency) locking mode. See the detailed instructions under *Safety Seats for Children* in this chapter.**

## **Combination Lap and Shoulder Belts**

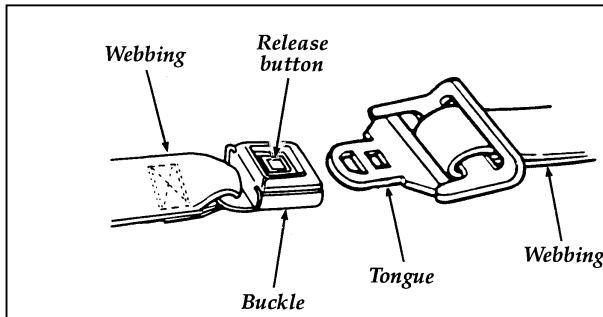
While your vehicle is in motion, the combination lap and shoulder belt adjusts to your movement. However, if you brake hard, corner hard or if your truck receives an impact of 5 mph (8 km/h) or more, the combination lap/shoulder belt locks and helps reduce your forward movement. The front seat belt systems can also be made to lock by jerking on the shoulder belt.

**NOTE: The rear belts cannot be made to lock up by jerking on shoulder belt.**

After you get into your vehicle, close the door and lock it. Then adjust the seat to the position that suits you best.

### To fasten the belt

Pull the combination lap/shoulder belt from the retractor so that the shoulder portion of the belt crosses your shoulder and chest. Be sure the belt is not twisted. If it is, remove the twist. Insert the belt tongue into the proper buckle until you hear a snap and feel it latch. Make sure the tongue is securely fastened to the buckle by pulling on tongue.



### **⚠️ WARNING**

**Use the shoulder belt on the outside shoulder only. Never wear the shoulder belt under the arm. Never swing it around the neck over the inside shoulder. Never use a single belt for more than one person. Failure to follow these precautions could increase the risk and/or severity of injury in a collision.**

To tighten the lap portion of the belt, pull up on the shoulder belt until it fits you snugly. The belt should rest as low on your hips as possible.

**⚠ WARNING**

**Front and rear seat occupants, including pregnant women, should wear safety belts for optimum protection in an accident.**

Due to folding rear seats, sometimes the buckles and tongues toward the center of the vehicle may be hidden by the rear edge of the seat cushion. Pull them out so they will be accessible.

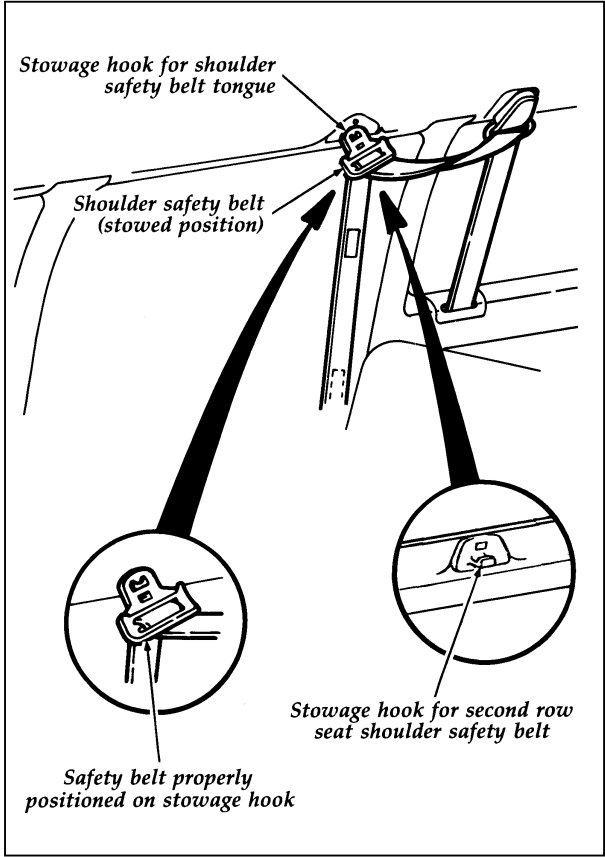
While you are fastened in the seat belt, the combination lap and shoulder belt adjusts to your movement. However, if you brake hard, turn hard, or if your vehicle receives an impact of 5 mph (8 km/h) or more, the lap and shoulder belt will become locked and help reduce your forward movement.

***All Three Passenger Bench/Bed Seat or Captain's Chair***

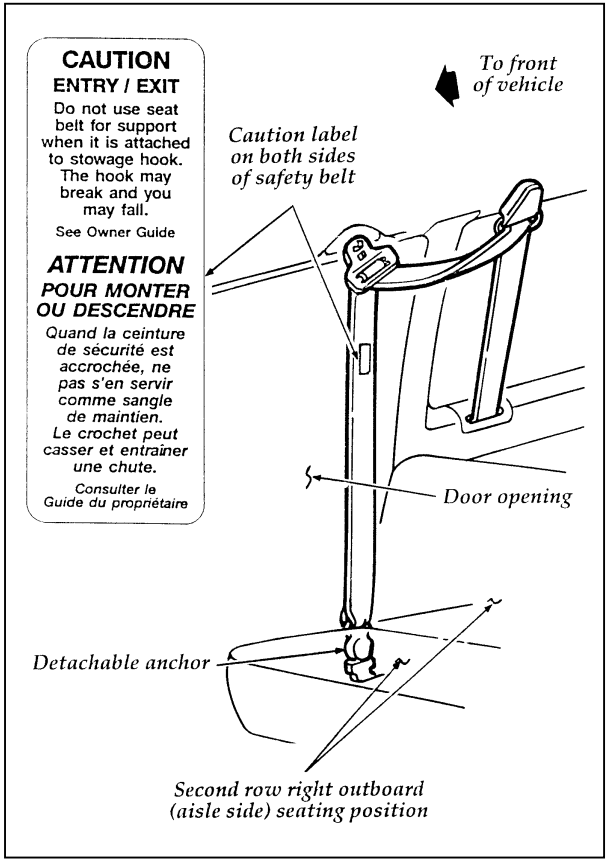
In addition to anchorages in the floor and roof structures, some rear safety belts have a detachable anchor mounted to the outboard side of the rear seats. This should remain attached, except when removing the rear seats.

The second row passenger side outboard seating position uses a hook above the sliding/cargo door to stow the shoulder safety belt when entering or exiting the vehicle or when it is not being used.

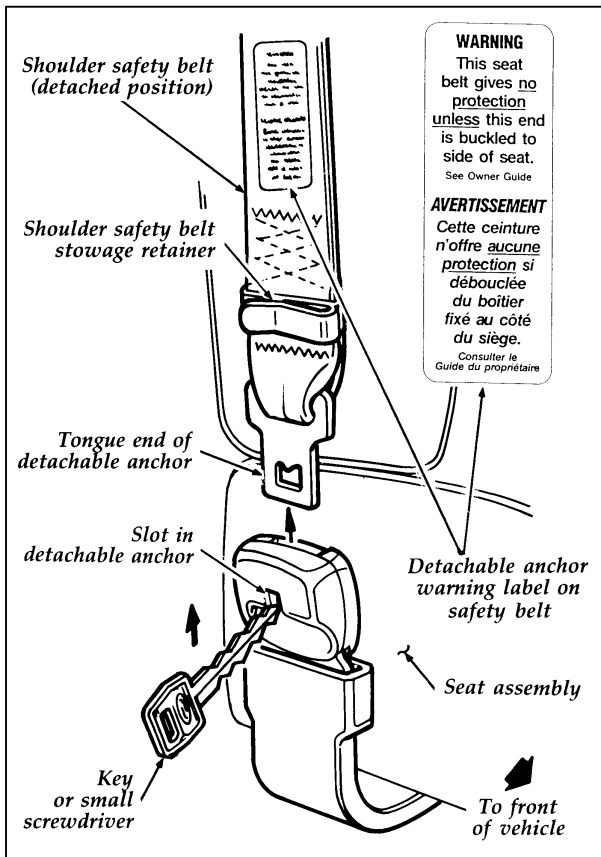
**NOTE: When the belt is stowed using the hook, DO NOT use the hanging belt as an assist when entering the vehicle.**



**Proper stowage of shoulder safety belt**



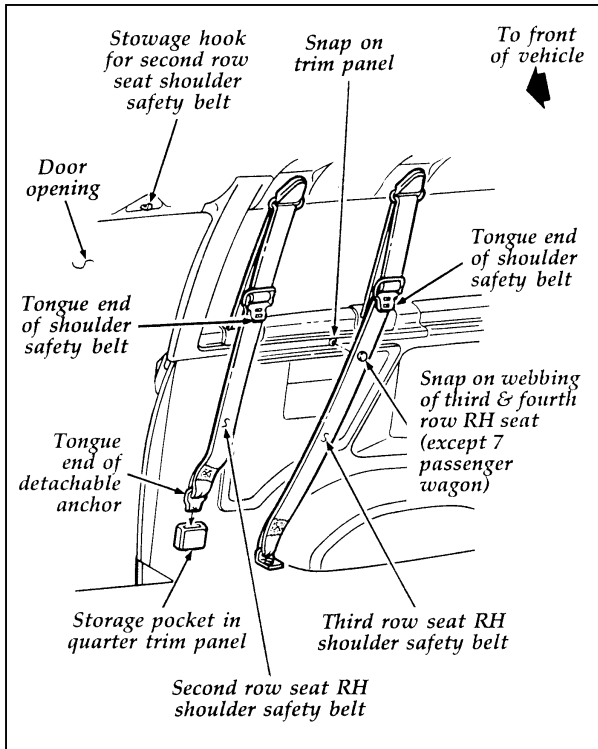
Location of the stowage hook caution label on safety belt



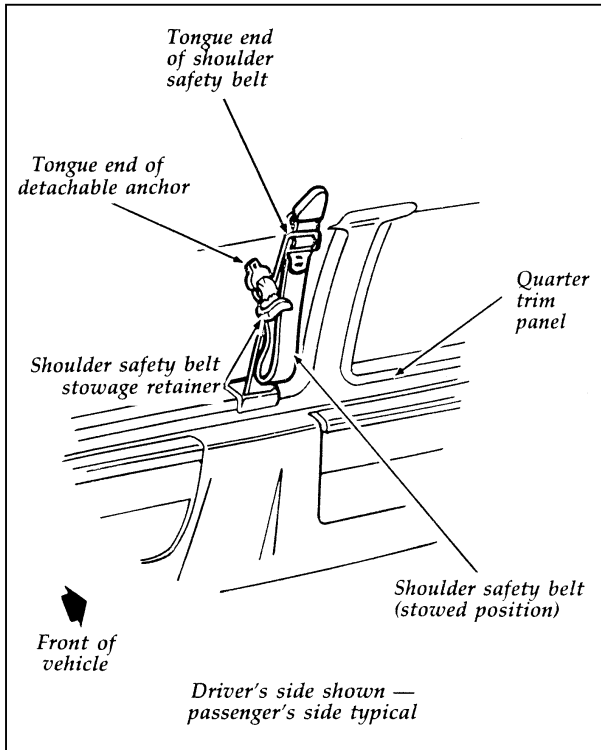
**Location of the detachable anchor warning label on safety belt**

In order to remove the rear seat, the safety belt must be disengaged from the seat. To disengage the safety belt from the seat, insert a key or small screwdriver into the slot provided on the detachable anchor. Then lift upward. See previous illustration.

Whenever a rear seat has been removed, the tongue end of the detachable anchor must be correctly stowed. See the following illustrations.



**Rear seat shoulder safety belt — stowage (with seat removed)**



Rear seat shoulder safety belt — stowage (with seat removed)

**⚠ WARNING**

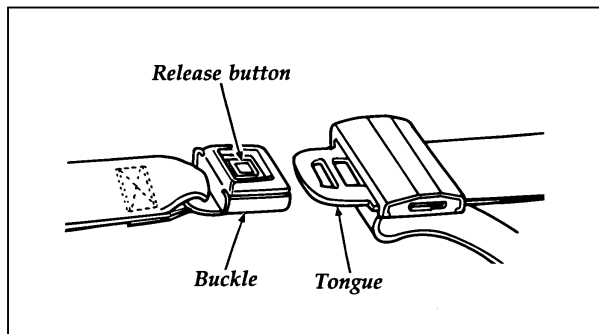
**When reinstalling a rear seat in your vehicle it must be placed in its original position. Improper installation of the seat will prevent correct use of the safety belts and could increase the risk of injury. Refer to the warning label on the seat belt.**



After installing the rear seat, make sure the safety belt is not twisted before you insert it into the detachable anchor. A twisted safety belt may cause the retractor to not work properly. Then insert the detachable anchor tongue into the detachable anchor until you hear a “snap” and feel the latch engage.

### **Adjustable Lap Belts Without Retractors**

On the center seat of the three-passenger bench seat, and both inboard seats of the four-passenger bench seat, you will find a lap belt without a retractor, but does have a locking adjustable tongue. Shorten and fasten these belts when you are not using them. To make each belt longer, tip the tongue at a right angle to the belt and pull the belt over your lap until the tongue reaches the buckle.



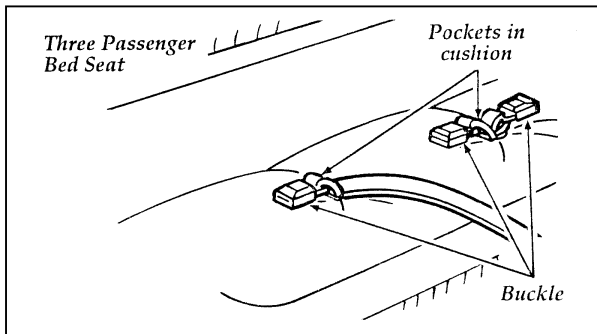
#### **Fastening occupant safety lap belts**

To fasten the belt, pull the belt across your hips and insert the tongue into the correct buckle on your seat until you hear a snap and feel it latch. Make sure the buckle is securely fastened by pulling tongue.

Adjust the belt so that it fits snugly and as low as possible around the hips:

- If you need to lengthen the belt, unfasten it and repeat the procedure above.
- If you need to shorten the belt, pull on the loose end of the webbing.

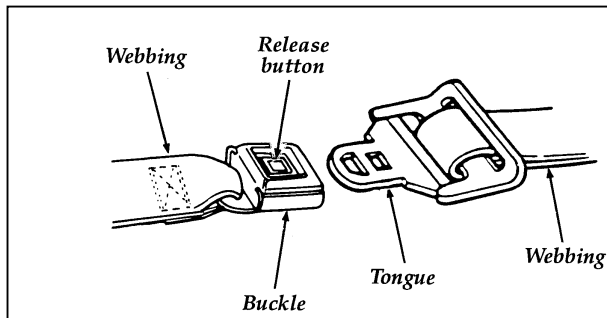
### Safety Belt Bed/Seat Pocket



Location of the safety belt bed/seat pockets

### To unfasten the belt:

1. Push the release button on the buckle. This allows the tongue to unlatch from the buckle.



Unfastening the outboard lap/shoulder belts

2. While the belt retracts, guide the tongue to its stowed position. If you do not guide the tongue, it may strike you or part of the vehicle.

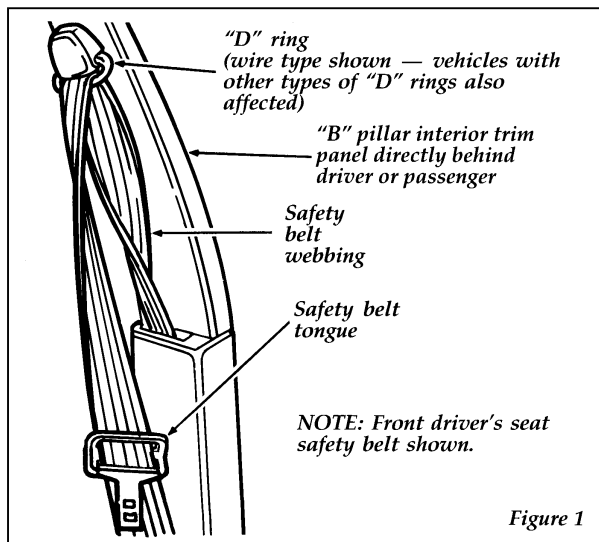
### **How to Untwist or Unjam a Safety Belt Retractor**

If you should jam the lap belt retractor by allowing the belt to retract when it is twisted, you can free the webbing with this procedure:

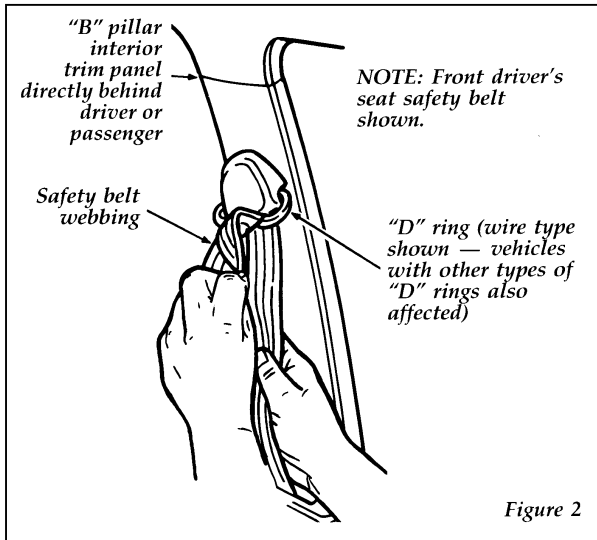
1. Pull on the belt with both hands to tighten it on the retractor spool.
2. Feed the belt back into the retractor until it is completely retracted. Repeat previous step if necessary.
3. Pull the belt out of the retractor as far as it will go and untwist the belt or remove the object that is jamming the belt. Let the belt retract.
4. Then, pull the belt out and let it retract several times to make sure that the belt works properly.

## Procedure to Correct a Twisted Safety Shoulder Belt at the “D” Ring (if so equipped) Front and/or Rear Outboard Seating Positions.

**NOTE:** The restraint system shown in the following figures may be different than the restraint system in your vehicle. However, use these figures and this procedure to correct a twisted safety shoulder belt at any outboard seating position that has a “D” ring.

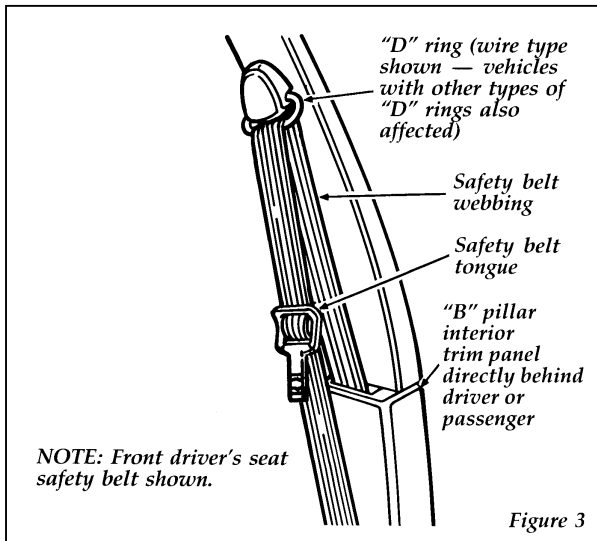


1. Grasp the belt webbing at the "D" ring. See Figure 2.



2. Rotate and fold the belt webbing over itself as required to remove the twist.
3. Feed the folded portion of the belt through the "D" ring.

4. When completed, the safety belt should look like Figure 3.



## Safety Belt Extension Assembly

For some people, the safety belt may be too short even when it is fully extended. You can add about eight inches (20 cm) to the belt length with a safety belt extension assembly (part number 611C22). Safety belt extensions are available at no cost from your dealer.

Use only extensions manufactured by the same supplier as the safety belt. Manufacturer identification is located at the end of the webbing on the label. Also, use the safety belt extension only if the safety belt is too short for you when fully extended. Do not use extension to change the fit of the shoulder belt across the torso.

**⚠️ WARNING**

**Failure to follow these instructions will affect the performance of the safety belts and increase the risk of personal injury.**

## **Safety Belt Maintenance**

Check your safety belt system periodically to make sure that it works properly and isn't damaged. If the webbing shows any wear, nicks or cuts, have it examined by a qualified technician to determine if replacement is necessary. Always have your safety belt system checked after a collision by a qualified technician.

All safety belt assemblies, including retractors, buckles, front seat belt buckle support assemblies (slide bar) (if so equipped), child safety seat tether bracket assemblies (if so equipped), and attaching hardware, should be inspected after any collision. Ford recommends that all safety belt assemblies used in vehicles involved in a collision be replaced. However, if the collision was minor and a qualified technician finds that the belts do not show damage and continue to operate properly, they do not need to be replaced. Safety belt assemblies not in use during a collision should also be inspected and replaced if either damage or improper operation is noted.

### **Cleaning the Safety Belts**

Clean the safety belts with any mild soap solution that is recommended for cleaning upholstery or carpets. Do not bleach or dye the belt webbing because this may weaken it.

## **Air Bag Supplemental Restraint System (SRS)**

***Driver air bag for E-150, E-250 and E-350, except cutaway and strip chassis***

If the letters “SRS” appear in the center of the steering wheel, your vehicle is equipped with a driver side air bag supplemental restraint system, located in the steering wheel.

The driver air bag is a Supplemental Restraint System (SRS), provided in addition to the driver lap/shoulder belt, and is designed to supplement the protection provided to a properly belted driver in moderate to severe frontal collisions. The supplemental air bag system does not provide restraint to the lower body.

### **The Importance of Wearing Safety Belts**

<b>⚠ WARNING</b>
<b>Safety belts must be worn by all vehicle occupants to be properly restrained and help reduce the risk of injury in a collision.</b>

<b>⚠ WARNING</b>
<b>All occupants of the vehicle, including the driver, should always wear their safety belts, even when an air bag Supplemental Restraint System is provided.</b>



There are four very important reasons to use safety belts even with an air bag system. Use your safety belts to:

- help keep you in the proper seating position (away from the air bag) when it inflates
- reduce the risk of harm in rollover, side or rear impact collisions, because an air bag is not designed to inflate in such situations
- reduce the risk of harm in frontal collisions that are not severe enough to activate the supplemental air bag
- reduce the risk of being thrown from your vehicle

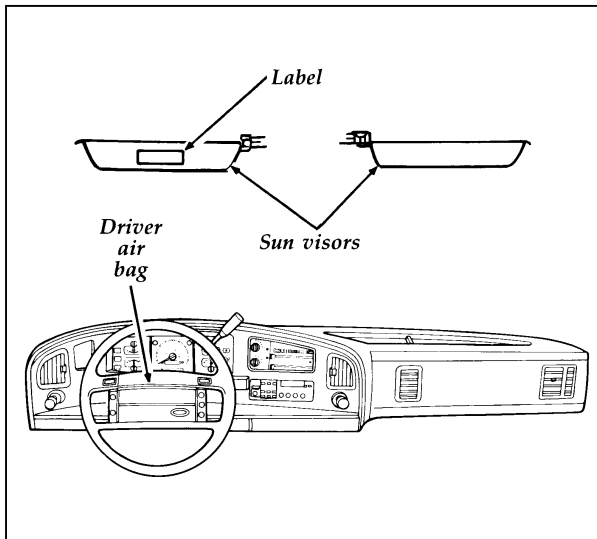
### **The Importance of Being Properly Seated**

In a collision, the air bag must inflate extremely fast to help provide additional protection for you. In order to do this, the air bag must inflate with considerable force. If you are not seated in a normal riding position with your back against the seatback, the air bag may not protect you properly and could possibly hurt you as it inflates.

 <b>WARNING</b>
<b>Do not place objects or mount equipment on or near the air bag cover on the steering wheel or in front seat areas that may come in contact with a deploying air bag. Failure to follow this instruction may increase the risk of personal injury in the event of a collision.</b>

## How the Air Bag Supplemental Restraint System Operates

The air bag supplemental restraint system has two main parts. One part is the air bag system with the driver air bag and inflator located in the center of the steering wheel. The second part is the electrical system, which has impact sensors, and a diagnostic module, and backup power supply. The diagnostic module monitors its own internal circuits and the supplemental air bag electrical system readiness, including the impact sensors, the system wiring, the air bag system readiness light, air bag power, and the air bag ignitor.



The location of the air bag and warning label

The air bag system uses a readiness light on the instrument cluster or a tone to indicate the condition of the system. When you turn the ignition to the ON position, this light will illuminate for approximately six (6) seconds and then turn off. This indicates that the system is operating normally. **NOTE:** Maintenance of the air bag system is not required.

A problem with the system is indicated by one or more of the following: the readiness light will either flash or stay lit, or it will not light, or a group of five beeps will be heard.

**⚠ WARNING**

**If any of these things happen, even intermittently, have the air bag system serviced at your Ford or Lincoln-Mercury dealer immediately.**

***Tone generator***

The air bag readiness light indicates the air bag system condition. However, a series of five sets of five beeps will be heard only if the readiness light does not work and there is a problem with the air bag system. This also means that the Air Bag Supplemental Restraint System (SRS) is in need of service. The tone pattern will repeat (five sets of five beeps) periodically until the problem and light are repaired. Unless serviced, the Air Bag Supplemental Restraint System may not function properly in the event of a collision.

**⚠ WARNING**

**Do not attempt to service, repair, or modify the Air Bag Supplemental Restraint System or its fuses. See your Ford or Lincoln-Mercury dealer.**

The air bag system is designed to stay out of sight until it is activated. The air bag system is designed to deploy in frontal and front-angled collisions more severe than hitting a parked vehicle of similar size and weight head-on at about 28 mph (45 km/h). Because the system senses the crash severity rather than vehicle speed, **some** frontal collisions at speeds above 28 mph (45 km/h) will not inflate the air bag. The system activates when the sensors detect a forward deceleration equal to or greater than the deceleration experienced if you would drive your vehicle into a solid wall at 14 mph. In some side impacts, the forward deceleration of your vehicle can be great enough to deploy your air bag.

The following four steps show how the air bag system works:

1. Sensors in the vehicle will detect the degree of severity of a frontal impact. When the sensor system is activated, electric current flows to the inflator and the system ignites the gas generant.
2. The propellant then rapidly burns in the metal container. The rapid burning produces nitrogen gas and small amounts of dust. The nitrogen gas and dust are cooled and filtered during inflation of the air bag.
3. The inflating supplemental air bag splits open the trim cover. The supplemental air bag then rapidly unfolds and inflates in front of the driver.

**NOTE: STEPS 1-3 TAKE PLACE IN A FRACTION OF A SECOND.**

4. After inflation, the gas empties through holes in the air bag. The air bag deflates at once.

The surface of the air bags and the vehicle interior may be dusted with a powdery residue. The powder is cornstarch or talcum powder, which is used to lubricate the air bag as it inflates, and sodium compounds such as sodium carbonates (e.g., baking soda), and possibly a very small amount of sodium hydroxide that may be irritating to the skin and eyes, but is not toxic.

Right after air bag inflation, you may notice smoke (from the powder and dust) and smell the burnt propellant. This is normal.

 **WARNING**

**Air bag system components get hot after inflation. Do not touch them after inflation.**

Air bags may not inflate in certain frontal collisions, even though the vehicle may be badly damaged. The fact that your air bag did not inflate in such a collision does not mean that something is wrong with the air bag system. Rather, it means the crash forces were not severe enough to need an air bag to prevent serious injury.



Inflated driver side air bag

**⚠️ WARNING**

**If the air bag is inflated, THE AIR BAG WILL NOT FUNCTION AGAIN AND MUST BE REPLACED IMMEDIATELY. If the air bag is not replaced, the unrepaired area will increase the risk of injury in a collision.**

### ***Disposal of supplemental air bag equipped vehicles***

For disposal of air bags or air bag equipped vehicles, see your local Ford or Lincoln-Mercury dealer, or refer to the procedures in the 1995 Ford Service Manual. Information on how to order a service manual is available at an authorized Ford or Lincoln-Mercury dealer. You can also order a service manual using the order form in the *Accessories* chapter of your Owner Guide.

### ***Service and information labels***

Service and information labels are attached to the sun visors, the headliner above the sun visors (Canadian vehicles), and the radiator support in the engine compartment.

## **WARNING TO AVOID SERIOUS INJURY:**

- For maximum safety protection in all types of crashes, you must always wear your safety belt.
- Do not sit or lean unnecessarily close to the air bag.
- Do not place any objects over the air bag or between the air bag and yourself.

See the Owner Manual for further information and explanations.



<p><b>⚠ WARNING</b></p> <p><b>DO NOT TAMPER WITH OR DISCONNECT THE AIR BAG SYSTEM WIRING.</b> You could inflate the bag(s) or make it inoperative which may result in injury. See Shop Manual.</p>
<p><b>⚠ AVERTISSEMENT</b></p> <p><b>NE PAS MANIPULER NI DÉBRANCHER LE CÂBLAGE ÉLECTRIQUE DU DISPOSITIF D'UN COUSSIN DE SÉCURITÉ.</b> Cela pourrait gonfler le coussin de sécurité ou le mettre hors service et entraîner des blessures. Voir le manuel de réparation.</p> <p>F40B-5400014-AA</p>

Label on radiator support in the engine compartment

## Safety Restraints for Children

In the U.S. and Canada, you are required by law to use safety restraints for children. If small children ride in your vehicle — this generally includes children who are four years old or younger and who weigh 40 pounds (18 kg) or less — you must put them in safety seats that are made specially for children. Safety belts alone do not provide maximum protection for these children. Check your local and state laws for specific requirements.

<p><b>⚠ WARNING</b></p>
<p><b>Never let a passenger hold a child on his or her lap while the vehicle is moving. The passenger cannot protect the child from injury in a collision.</b></p>

**⚠️ WARNING**

**Passengers should not be allowed to ride in the cargo area. Persons not riding in a seat with a fastened seat belt are much more likely to suffer serious injury in a collision. Cargo should always be secured to prevent it from shifting and causing damage to the vehicle or harm to passengers.**

**⚠️ WARNING**

**Carefully follow all of the manufacturer's instructions included with the safety seat you put in your vehicle. If you do not install and use the safety seat properly, the child may be injured in a sudden stop or collision.**

When possible, put children in the rear seat of your vehicle. Accident statistics suggest that children are safer when properly restrained in the rear seating positions than in the front seating positions.

**⚠️ WARNING**

**Safety belts and seats can become hot in a vehicle that has been closed up in sunny weather; they could burn a small child. Check seat covers and buckles before you place a child anywhere near them.**

**⚠️ WARNING**

**Never leave a child unattended in your vehicle.**

## Safety Belts for Children

Children who are too large for child safety seats should always wear safety belts. (See instructions with your child seat, or contact its manufacturer, to determine maximum size of child that will safely fit in the seat.)

**⚠️ WARNING**

**If safety belts are not properly worn and adjusted as described, the risk of serious injury to the child in a collision will be much greater.**

If the shoulder belt portion of one of the lap and shoulder belts can be positioned so that it does not cross or rest in front of the child's face or neck, the child should wear the lap and shoulder belt. Moving the child closer to the center of the vehicle may help provide a good shoulder belt fit.

**⚠️ WARNING**

**If the shoulder belt cannot be properly positioned, move the child to one of the seats with a lap belt only (preferably in a rear seat) and use the lap belt.**

Lap belts and the lap belt portion of lap and shoulder belts should always be worn snugly and below the hips, touching the child's thighs.

**⚠️ WARNING**

**To reduce the risk of serious injury in a collision, children should always ride with the seatback upright.**

## Safety Seats for Children

Use a safety seat that is recommended for the size and weight of the child. Always follow the safety seat manufacturer's instructions when installing and using the safety seat.

Ford recommends the use of a child safety seat having a top tether strap. Install the child safety seat in a seating position which is capable of providing a tether anchorage. For more information on top tether straps see *Attaching Safety Seats With Tether Straps* in this chapter.

When installing a child safety seat, be sure to use the correct safety belt buckle for that seating position making sure the tongue is securely fastened in the buckle and for a shoulder/lap belt combination with a sliding tongue make sure the retractor is in the "automatic locking mode."

Most child safety seats can be used in this vehicle only in vehicle seating positions with lap-shoulder belts. The Ford Tot-Guard should NOT be used in this vehicle. Any booster-type seat that places the vehicle's lap belt or shoulder belt around a shield above and ahead of the child's hips should not be used in this vehicle. This type of safety seat could cause injury by tipping over the front edge of the vehicle seat during a collision.

 <b>WARNING</b>
<b>The following instructions MUST BE FOLLOWED to reduce risk of injury from a safety seat tipping too far forward in a severe crash.</b>

A safety seat can appear to be securely fastened by the safety belts, but the high forces during a severe crash could tip it forward if held only by a lap belt.

***Infants (under one year)***

Restrain infants in a rear-facing infant safety seat or convertible safety seat in the rear-facing position. These safety seats can be placed in any passenger seating position in this vehicle other than the last row of a 12 or 15 passenger club wagon, and restrained by either a lap or lap-shoulder belt according to the instructions on the safety seat. In vehicle seats equipped with lap-shoulder belts make sure the retractor is in the automatic locking mode.“

***Toddlers (one to four years)***

Install forward-facing convertible safety seats only in vehicle seating positions equipped with lap-shoulder belts. Forward facing convertible safety seats can be used in the center of the three-passenger second row bench seat only if a top tether strap is used. Ford recommends placing forward-facing safety seats in the second row and using safety seats with top tether straps for added protection. For more information on top tether straps see *Attaching safety seats with tether straps* later in this section.

 <b>WARNING</b>
--

<p><b>DO NOT use a forward-facing safety seat or an infant seat in the last row of a 12- or 15-passenger Club Wagon.</b></p>
--

All child restraint systems are designed to be secured in vehicle seats by lap belts or by the lap portion of a lap-shoulder belt.

**⚠ WARNING**

**If you do not properly secure the safety seat, the child occupying the seat may be injured during a collision or sudden stop. An unsecured safety seat could also injure other passengers.**

**⚠ WARNING**

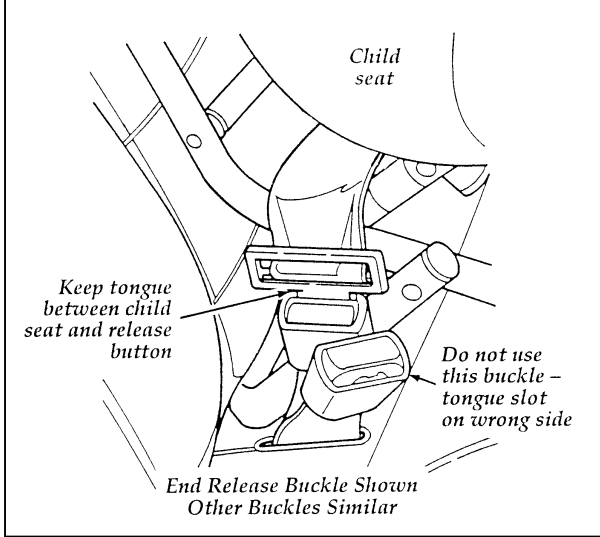
**Carefully follow all of the manufacturer's instructions included with the safety seat you put in your vehicle. If you do not install and use the safety seat properly, the child may be injured in a sudden stop or collision.**

**⚠ WARNING**

**Seatbacks should be upright for use with child safety seats.**

**⚠ WARNING**

**Always keep the buckle release button pointing upward and away from the child seat, with the tongue between the child seat and the release button as shown in the following illustration.**



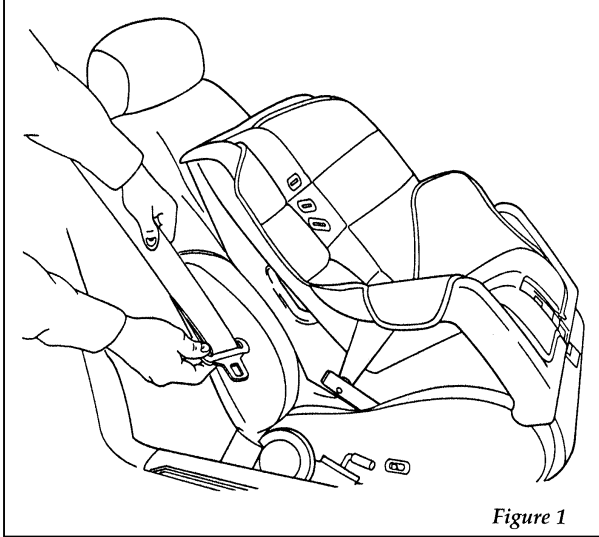
## Installing Child Safety Seats

Your vehicle is equipped with a dual locking mode retractor on the shoulder belt portion of the combination lap/shoulder safety belt for the front seat passenger and rear seat outboard passengers.

If you choose to install a forward-facing child safety seat or infant carrier in the front seating positions, move vehicle seat as far back as possible.

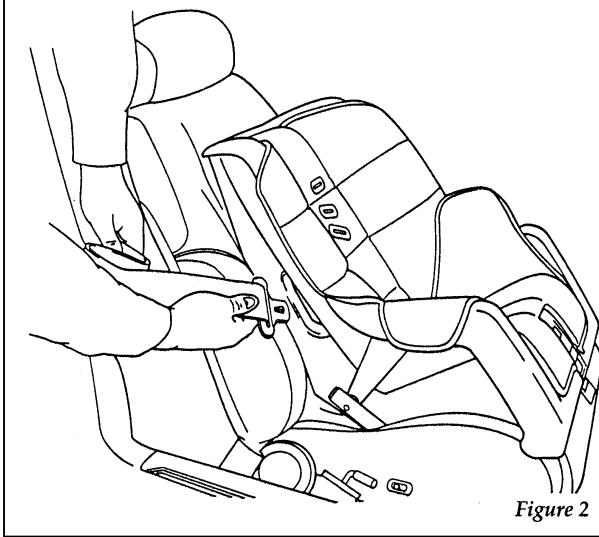
For seating positions equipped with a dual-locking mode retractor, use the following procedure:

1. Position the child seat in the center of the passenger seat.
2. Pull down on shoulder belt, then grasp shoulder belt and lap belt together. Figure 1.



3. While holding the shoulder and lap belt portions together, route the tongue through the child seat according to the child seat manufacturer's instructions. See Figure 2. Be sure that the belt webbing is not twisted.

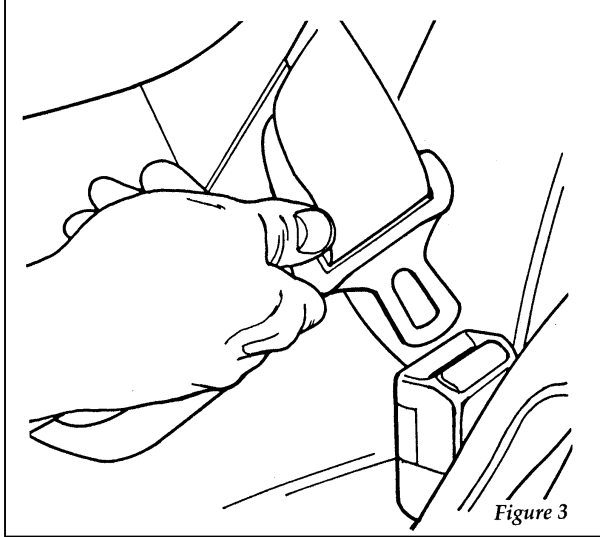




*Figure 2*

**Routing the lap/shoulder belt**

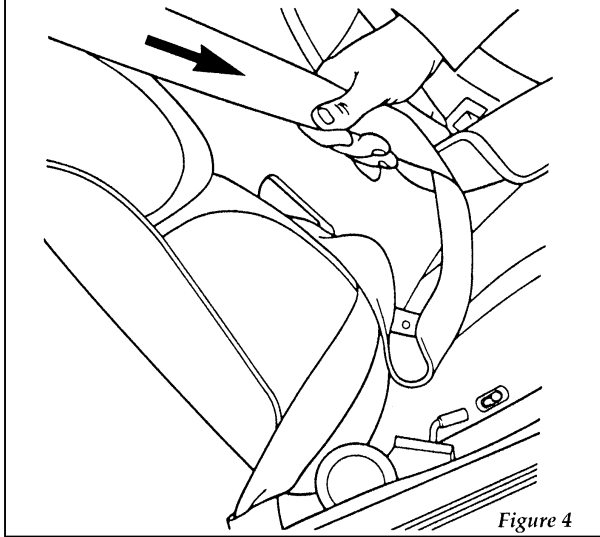
4. Insert the belt tongue into the buckle for that seating position until you hear and feel the latch engage. Figure 3. Make sure tongue is latched securely to buckle by pulling on tongue.



**Buckling the belt**

5. Grasp the shoulder portion of the belt and pull downward until all of the belt is extracted and a click is heard. At this time, the retractor is in the automatic locking mode (child seat restraint mode). Figure 4.

**NOTE: The dual-locking mode retractor must be in the automatic locking mode to properly restrain a child.**



*Figure 4*

**Setting the retractor to automatic locking mode**

6. Allow the belt to retract. Pull up on the shoulder webbing. A clicking sound will be heard as the belt retracts. This indicates the retractor is in the automatic locking mode. Push down on the child seat while you pull up on the belt to remove any slack in the belt. Figures 5 and 6.

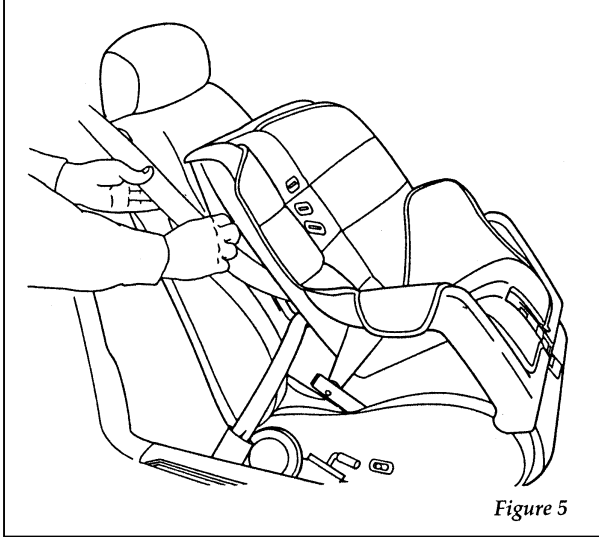
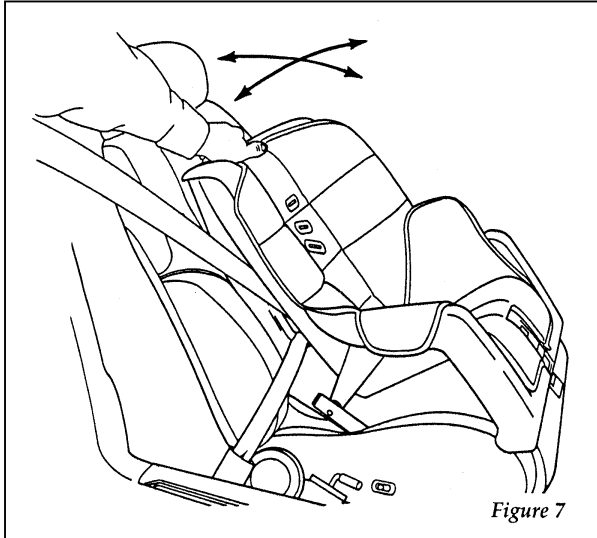


Figure 5



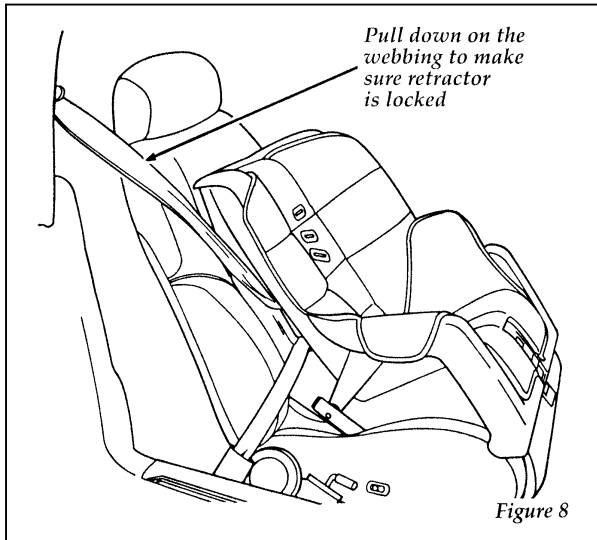
Figure 6

7. Before placing the child in the child seat, forcibly tilt the seat from side to side, and tug it forward to make sure that the seat is securely held in place, Figure 7.



Checking that the seat is secure

8. Double check that the retractor is in the automatic locking mode. Try to pull more belt out of the retractor. If you cannot, the belt is in the automatic locking mode, Figure 8.



#### Checking the retractor

9. Check to make sure that the child seat is properly secured prior to each use. If the retractor is not locked, repeat steps 4 through 7.

To remove the retractor from automatic lock mode, allow webbing to retract fully to its stowed position and the retractor will automatically switch back to the vehicle sensitive locking mode for normal adult usage.

## **Installing a Child Safety Seat at the Rear Center Seating Position with Locking Adjustable Lap Belt**

1. Lengthen the lap belt. To lengthen the belt, hold the tongue so that its bottom is perpendicular to the direction of webbing while sliding the tongue up the webbing.
2. Place the child safety seat in the center seating position.
3. Route the tongue and webbing through the child seat according to the child seat manufacturer's instructions.
4. Insert the belt tongue into the proper buckle for the center seating position until you hear a snap and feel it latch. Make sure the tongue is securely fastened to the buckle by pulling on tongue.
5. Push down on the child seat while pulling on the loose end of the lap belt webbing to tighten the belt.
6. Before placing the child into child seat, forcibly tilt the child seat from side-to-side and in forward directions to ensure that the seat is held securely in place. If the child seat moves excessively, repeat steps 5 through 6, or properly install the child seat in a different seating position.

## **Attaching Safety Seats With Tether Straps**

### ***General Instructions***

Some manufacturers make safety seats that include an upper tether strap that goes over the seatback and attaches to an anchoring point. Other manufacturers offer the tether strap as an accessory. Contact the manufacturer of your child safety seat for information about ordering a tether strap.

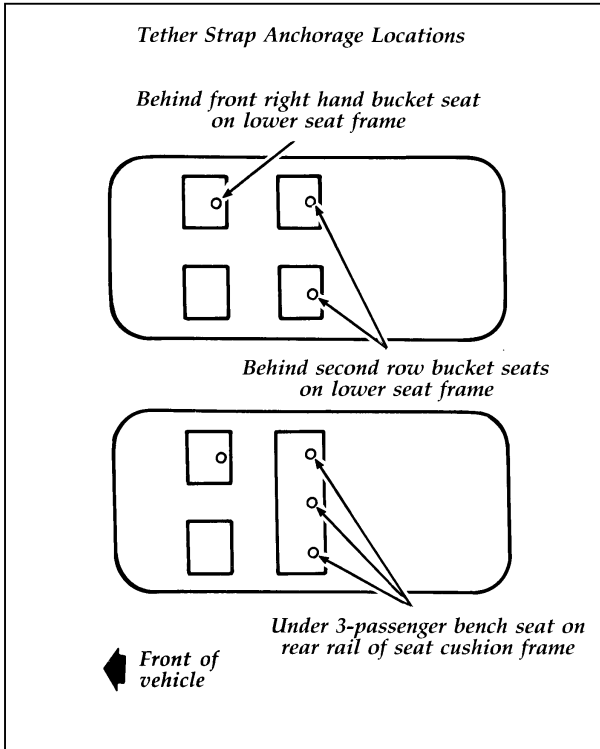
You can install a tether strap anchor bracket to the back of the seat by using a tether anchor kit (613D74), available at no charge from any Ford dealer.

Read and follow the instructions provided with the kit carefully for installation of the child tether strap anchor.

Follow the child seat manufacturer's instructions to attach the tether strap to the tether bracket.

Ford recommends placement of tethered safety seats in a rear seating position with the tether strap attached to the tether anchoring point as shown in the following illustration. The front, right hand seating position may be used if it is the only seating position available.





**Tether strap anchorage locations**

**⚠ WARNING**

**Only use the tether attachment hole locations shown in the illustrations. The tether anchor may not perform properly if the wrong mounting location is used.**

**⚠ WARNING**

**Failure to follow these precautions could increase the chance of injury in an accident.**

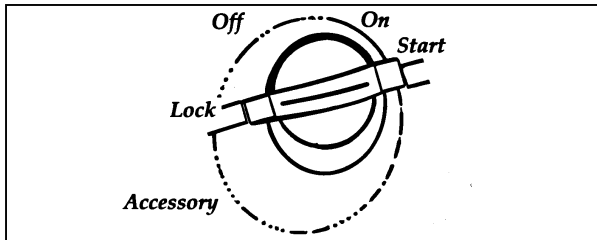
---

# Starting Your Econoline

---

## Ignition

### Understanding the Positions of the Ignition



The positions of the key in the ignition lock cylinder.

ON allows you to test your vehicle's warning lights (except the brake system warning light) to make sure they work before you start the engine. The key returns to the ON position once the engine is started and remains in this position while the engine runs.

START cranks the engine. Release the key once the engine starts so that you do not damage the starter. The key should return to ON when you release it. The START position also allows you to test the brake warning light.

OFF allows you to shut off the engine and all accessories without locking the steering wheel or the automatic transmission gearshift lever.

LOCK locks the steering wheel. It also locks the gearshift.

LOCK is the only position that allows you to remove the key. The LOCK feature helps to protect your vehicle from theft.

If the key is stuck in the LOCK position, move the steering wheel left or right until the key turns freely.

ACCESSORY allows some of your vehicle's electrical accessories such as the radio and the windshield wipers to operate while the engine is not running.

### ***Ignition Key Buzzer or Chime***

The buzzer or chime will sound if you open the driver's door while the key is in the ignition. Never leave your vehicle unattended with the key in the ignition.

### **Removing the Key From the Ignition**

Procedures for removing your key from the ignition are as follows:

***Your vehicle's gearshift lever is mounted on the column:***

1. Put the gearshift in P (Park).
2. Set the parking brake fully before removing your foot from the service brake. (This will avoid "binding" or "loading" the park gear if you park on a grade.)
3. Turn the ignition key to LOCK.
4. Remove the key.

 <b>WARNING</b>
<b>Always set the parking brake fully and make sure the gearshift is securely latched in P (Park).</b>

**⚠ WARNING**

**Do not leave children, unreliable adults, or pets alone in your vehicle. They could accidentally injure themselves or others through inadvertent operation of the vehicle. Further, on hot, sunny days, temperatures in a closed vehicle could quickly become high enough to cause severe and possibly fatal injuries to people as well as animals.**

## **Fuel-Injected Engines**

**NOTE:** For owners of diesel-powered vehicles, refer to the *Diesel Engine Owners Guide Supplement* for information on starting your vehicle.

When starting a fuel-injected engine, **the most important thing to remember is to avoid pressing down on the accelerator before or during starting.** Only use the accelerator when you have problems getting your vehicle started. See *Starting Your Engine* in this chapter for details about when to use the accelerator while you start your vehicle.

Because your vehicle's engine is electronically controlled by a computer, some control conditions are maintained by power from the battery. If you ever disconnect the battery, install a new battery, or experience a dead battery you must allow the computer to "relearn" its idle conditions before your vehicle will drive properly. To let the engine do this, put the gearshift in P (Park), turn off all the accessories, and start the vehicle. Let the engine idle for at least one minute.

If you do not let the engine relearn its idle, the idle quality of your vehicle may be adversely affected until the idle is relearned. Your vehicle will eventually relearn its idle while you drive it, but it takes much longer than if you use the previous procedure.

## Starting your vehicle

### Preparing to Start Your Vehicle

**⚠ WARNING**

**Do not start your vehicle in a closed garage or other enclosed area. Never sit in a stopped vehicle for more than a short period of time with the engine running. Exhaust fumes are toxic. See *Guarding Against Exhaust Fumes* in this chapter for more instructions.**

Before you start your vehicle, do the following:

1. Make sure you and all your passengers buckle your safety belts. See *Safety Restraints* in the Index for more details.
2. Make sure the headlamps and other accessories are turned off when starting.
3. Make sure that the gearshift is in P (Park) and the parking brake is set before you turn the key.

### Testing the Warning Lights

Before you start your vehicle, you should test the warning lights on the instrument panel to make sure that they work. Refer to the *Warning Lights and Gauges* chapter.

If your Brake Warning Light does light up with the key in the ON position, you may not have fully released the parking brake or the brake fluid may be low.

## Starting Your Engine

To start your engine:

1. Follow the steps under *Preparing to Start Your Vehicle* at the beginning of this section.
2. Turn the ignition key to the ON position.
3. DO NOT depress the accelerator pedal when starting your engine. DO NOT use the accelerator while the vehicle is parked.
4. Turn the key to the START position (cranking) until the engine starts. Allow the key to return to the ON position after the engine has started.

If you have difficulty in turning the key, rotate the steering wheel slightly because it may be binding.

### For a cold engine:

- At temperatures **10°F (-12°C) and below**: If the engine does not start in **fifteen (15) seconds** on the first try, turn the key to OFF, wait approximately ten (10) seconds so you do not flood the engine, then try again.
- At temperatures **above 10°F (-12°C)**: If the engine does not start in **five (5) seconds** on the first try, turn the key to OFF, wait approximately ten (10) seconds so you do not flood the engine, then try again.
- Do not hold the key in the START position for more than **fifteen (15) seconds** at a time.

**For a warm engine:**

- Do not hold the key in the START position for more than **five (5) seconds** at a time. If the engine does not start within five (5) seconds on the first try, turn the key to the OFF position. Wait a few seconds after the starter stops, then try again.

Whenever you start your vehicle, release the key as soon as the engine starts. Excessive cranking could damage the starter or flood the engine.

After you start the engine, let it idle for a few seconds. Keep your foot on the brake pedal and put the gearshift lever in gear. Release the parking brake. Slowly release the brake pedal and drive away in the normal manner.

**NOTE: Your vehicle is equipped with a brake-shift interlock feature. This feature prevents you from shifting from P (Park) unless you have the brake pedal depressed. (The ignition must be in the ON position.) If you cannot shift from P (Park) with the brake pedal depressed:**

1. Apply the parking brake.
2. Remove the key.
3. Insert the key and rotate one position clockwise (ignition in the OFF position).
4. Apply the brake pedal and shift to N (Neutral). (If the vehicle is shifted to P (Park), you must repeat the previous steps.)
5. Start the vehicle.

If you need to shift out of P (Park) by using the alternate procedure described above, it is possible that a fuse has blown and that your brakelamps may also not be functional. Please refer to the chapter titled *Servicing Your Econoline* in this Owner Guide for instructions on checking and replacing fuses.

 **WARNING**

**DO NOT DRIVE YOUR VEHICLE UNTIL YOU VERIFY THAT THE BRAKELAMPS ARE WORKING.**

**For cold or warm engines:**

If the engine still does not start after two attempts:

1. Turn the ignition key to the OFF position.
2. Press the accelerator all the way to the floor and hold it.
3. Turn the ignition key to the START position.
4. Release the ignition key when the engine starts.
5. Release the accelerator gradually as the engine speeds up. Then drive away in the normal manner.

If the engine still does not start, the fuel pump shut-off switch may have been triggered. For directions on how to reset the switch see *Fuel Pump Shut-Off Switch* later in this chapter.

A computer system controls the engine's idle speed. When you start your vehicle, the engine's idle speed normally runs higher than when it's warmed up. These faster engine speeds will



make your vehicle move slightly faster than its normal idle speed. It should, however, slow down after a short time. If it does not, have the idle speed checked.

If the engine idle speed does not slow down automatically, do not allow your vehicle to idle for more than 10 minutes. Have the vehicle checked.

**⚠️ WARNING**

**Extended idling at high engine speeds can produce very high temperatures in the engine and exhaust system, creating the risk of fire or other damage.**

**⚠️ WARNING**

**Do not park, idle, or drive your vehicle in dry grass or other dry ground cover. The emission system heats up the engine compartment and exhaust system, which can start a fire.**

If you consistently start your vehicle in subzero temperatures, use an engine block heater (if your vehicle has this option).

### **Engine Block Heater (If equipped)**

Engine block heaters are strongly recommended if you live in a region where temperatures reach -10°F (-23°C) or below. An engine block heater warms the engine coolant, which improves starting, warms up the engine faster, and allows the heater-defrost system to respond quickly.

**⚠️ WARNING**

**To prevent electrical shock, do not use your heater with ungrounded electrical systems or two-pronged (cheater) adapters.**

For best results, plug the heater in at least three hours before you start your vehicle. Using the heater for longer than three hours will not damage the engine, so you can plug it in at night to start your vehicle the following morning.

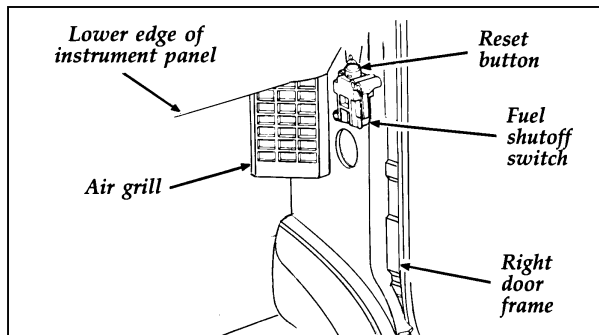
**NOTE:** Be sure to disconnect the engine block heater before driving your vehicle.

## If the Engine Cranks but Does Not Start or Does Not Start After a Collision

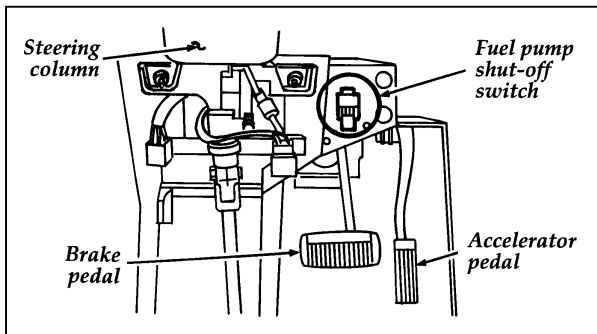
### Fuel Pump Shut-off Switch

If the engine cranks but does not start or does not start after a collision, the fuel pump shut-off switch may have been triggered. The shut-off switch is a device intended to stop the fuel pump when your vehicle has been involved in a substantial jolt.

Once the shut-off switch is triggered, you must reset the switch by hand before you can start your vehicle.



**Fuel pump shut-off switch location**



Fuel pump shut-off switch location — Commercial stripped chassis vehicles

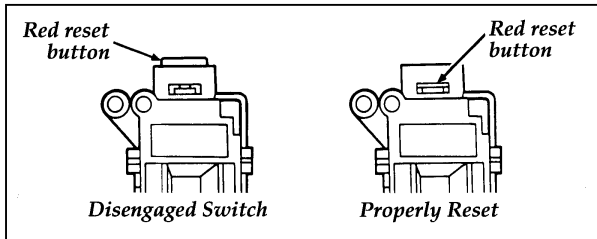
**⚠ WARNING**

**If you see or smell fuel, do not reset the switch or try to start your vehicle. Have all the passengers get out of the vehicle and call the local fire department or a towing service.**

If your engine cranks but does not start after a collision or substantial jolt:

1. Turn the ignition key to the OFF position.
2. Check under the vehicle for leaking fuel.
3. If you do not see or smell fuel, push the red reset button down. If the button is already set, you may have a different mechanical problem.
4. Turn the ignition key to the ON position for a few seconds, then turn it to the OFF position.
5. Check under the vehicle again for leaking fuel. **If you see or smell fuel, do not start your vehicle again.** If you do not see or smell fuel, you can try to start your vehicle again.

6. Check all vehicle warning lights before driving your vehicle.



Reset button for fuel pump shut-off switch

### Guarding Against Exhaust Fumes

Carbon monoxide, although colorless and odorless, is present in exhaust fumes. Take precautions to avoid its dangerous effects.

#### **⚠ WARNING**

**Do not start your vehicle in a closed garage or other enclosed area. Never sit in a stopped vehicle for more than a short period of time with the engine running. Exhaust fumes are toxic. See *Guarding Against Exhaust Fumes* in this chapter for more instructions.**

#### **⚠ WARNING**

**If you smell exhaust fumes inside your vehicle, have your dealer inspect your vehicle immediately. Do not drive if you smell exhaust fumes.**

If your vehicle has rear windows and doors that were installed as part of a van conversion, close them while it is running. This prevents exhaust fumes from being drawn into the passenger compartment.

Have the exhaust and body ventilation systems checked whenever:

- your vehicle is raised for service
- the sound of the exhaust system changes
- your vehicle has been damaged in a collision

Improve your ventilation by keeping all air inlet vents clear of snow, leaves, and other debris.

If the engine is idling while you are stopped in an open area for long periods of time, open the windows at least one inch (2.5 cm). Also, adjust the heating or air conditioning to bring in outside air.

- HEATING** — Set fan speed on MEDIUM or HIGH, with the function control lever on FLOOR, DEFROST or VENT and the temperature control lever on any desired position.
- AIR CONDITIONING** — Set fan speed on MEDIUM or HIGH with the function control lever on any position (except OFF or MAX) and the temperature control lever at a comfortable level.

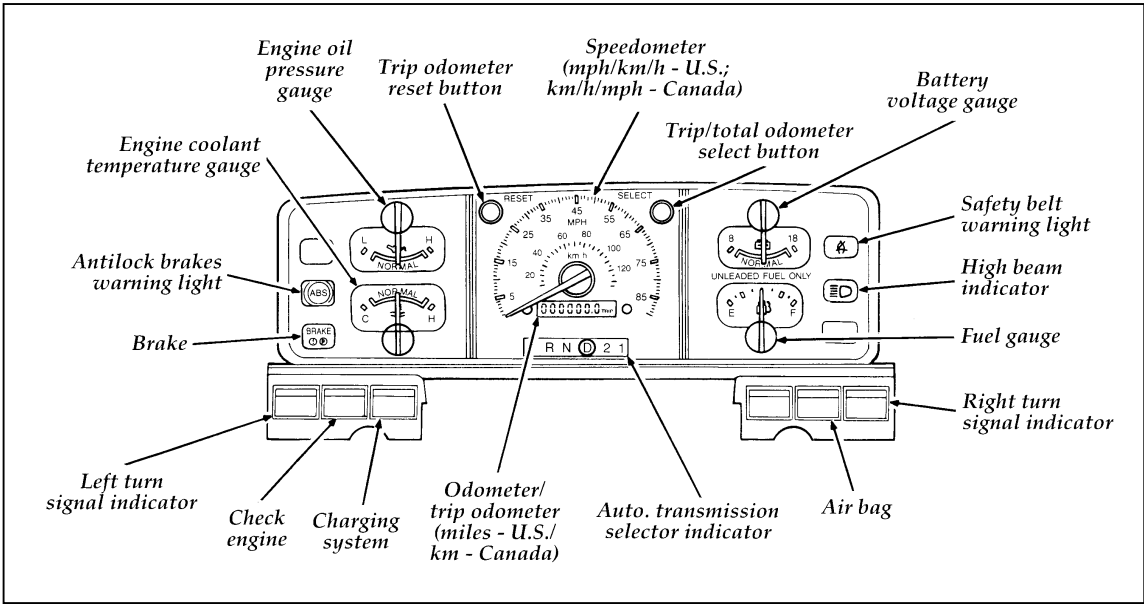
---

# Warning Lights and Gauges

---

The instrument panel (dashboard) on your vehicle is divided into several different sections. The illustrations on the following pages show the major parts of the instrument panel that are described in this chapter. Some items shown may not be on all vehicles.

In your vehicle, the warning lights and gauges are grouped together on the instrument panel. We call this grouping a cluster. Your vehicle has a mechanical cluster.



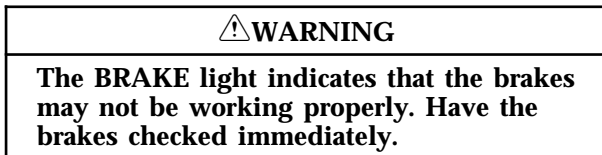
## The Mechanical Cluster

The following warning lights and gauges are on the mechanical cluster. All of the warning lights and gauges alert you to possible problems with your vehicle. Some of the lights listed are optional. The following sections detail what each of these indicators means.

### Brake System Warning Light

The red warning light for the brakes can show three things — that either the parking brake is not fully released, that the brake fluid level is low in the master cylinder reservoir or the vacuum pressure is low on diesel engine vehicles. If the fluid level is low, the brake system should be checked by a qualified service technician.

This light comes on when you turn the ignition key to START to verify that the indicator bulb is working. If the light stays on or comes on after you have released the parking brake fully, have the hydraulic brake system serviced.



Brake warning light symbols

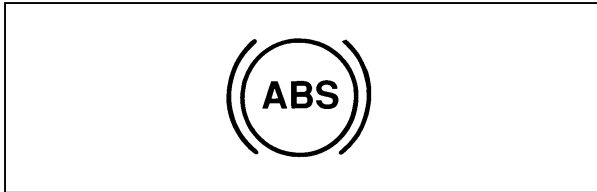


## Anti-Lock Brake System Warning Light

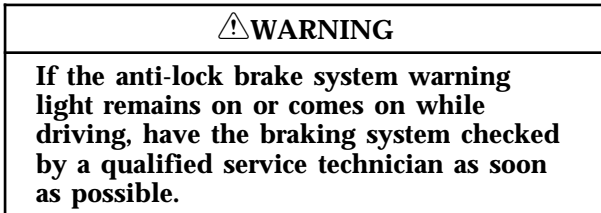
To check the **amber** ABS brake warning light turn the ignition key to ON. The ABS brake warning light should glow momentarily.

**NOTE:** If it does not glow momentarily, have your vehicle's electrical system checked immediately.

**NOTE:** If the ABS brake warning light begins to flash in a repeatable flash sequence, check the rear anti-lock system continuous power fuse and brake lights for proper operation.



Antilock warning light symbol

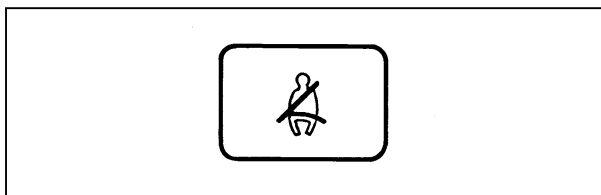


**NOTE:** If a fault occurs in the anti-lock system, and the brake warning light is not lit, the anti-lock system is disabled but normal brake function remains operational.

## Safety Belt Warning Light and Chime

This warning light and chime remind you to fasten your safety belt. The following conditions will take place:

- If the safety belt is not buckled when the key is turned to the ON position, the light comes on for 1 to 2 minutes and the chime sounds for 4 to 8 seconds.
- If the safety belt is buckled while the light is on and the chime is sounding, both the light and chime turn off.
- If the safety belt is buckled before the ignition is turned to the ON position, neither the light nor the chime will come on.



Safety belt warning light symbol

## Check Engine Warning Light

The Powertrain On-Board Diagnostic II (OBD II) system consists of the hardware and software necessary to monitor the operation of the powertrain. The OBD II system is designed to check the function of the vehicle's powertrain control system during normal operation. If an emission problem is detected, the Check Engine Warning Light (in the cluster) is turned on.



**CHECK  
ENGINE**

**Check engine warning light symbol**

Modification or additions to the vehicle may cause incorrect operation of the OBD II system. Additions such as burglar alarms, cellular phones, and CB radios must be carefully installed. Do not install these devices by tapping into or running wires close to powertrain control system wires or components.

The light comes on briefly when you turn the ignition key to **ON**, but it should turn off when the engine starts. If the light does not come on when you turn the ignition to **ON** or if it comes on and stays on when you are driving, have your vehicle serviced as soon as possible. This indicates a possible problem with one of the vehicle's emission control systems. You do not need to have your vehicle towed in.

If the light turns on and off at one (1) second intervals while you are driving the vehicle, it means that the engine is misfiring. If this condition persists, damage could occur to the engine or catalytic convertor. Have your vehicle serviced at the first opportunity. You do not need to have your vehicle towed in.

If the light turns on and off on rare occasions while you are driving, it means that a malfunction occurred and the condition corrected itself.

An example of a condition which corrects itself occurs when an engine running out of fuel begins to misfire. In this case, the Check Engine Warning Light may turn on and will then set a Diagnostic Trouble Code indicating that the engine was misfiring while the last of the fuel was being consumed. After refueling, the Check Engine Warning Light will turn off after the vehicle has completed three consecutive warm up cycles without a misfire condition occurring. A warm up cycle consists of engine start from a cold condition (engine at ambient temperature) and running until the engine reaches normal operating temperature.

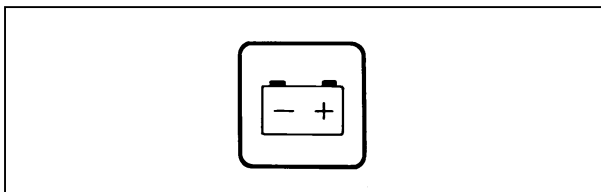
On the fourth engine start up, the Check Engine Warning Light will turn off as soon as the engine begins to crank. It is not necessary to have the engine serviced.

Under certain conditions, the Check Engine Warning Light may come on if the fuel cap is not properly installed. If the Check Engine Warning Light comes on and you suspect that the fuel cap is not properly installed, pull off the road as soon as it is safely possible and turn off the engine. Remove and replace the fuel cap, making sure it is properly seated.

After completing the three consecutive warm up cycles and on the fourth engine start up, the Check Engine Warning Light should turn off. If the light does not go off after the fourth engine restart, have your vehicle serviced by your dealer or a qualified technician.

## Charging System Light

This light, shown as a battery symbol on your cluster, indicates that your battery is not being charged and that you need to have the electrical system checked.



Charging system light

This light comes on every time you turn the ignition to the ON or START position (engine off). The light should go off when the engine starts and the alternator begins to charge.

## Supplemental Air Bag Readiness Light and Tone Generator

This light illuminates for six seconds when the ignition is turned to the ON position. If the light fails to illuminate, continues to flash, remains on, or if a series of five beeps is heard, have the system serviced as soon as possible.



Supplemental air bag readiness light

## **Anti-Theft Alarm Light (If equipped)**

This light flashes on and off when the ignition switch is OFF and any door is opened. As soon as you lock the doors, the light glows steadily. Within 30 seconds of closing all the doors, the light goes out. This indicates that the alarm system is armed.



**Anti-Theft Alarm Light**

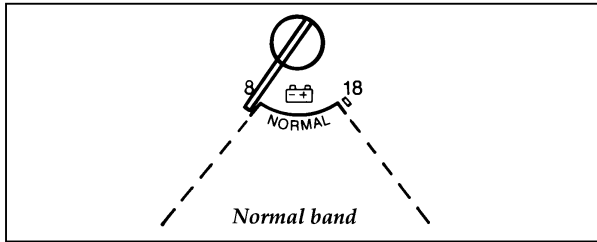
## **Battery Voltage Gauge (Voltmeter)**

This gauge shows you the battery voltage when the ignition key is in the ON position.

If you are running electrical accessories (when the engine is off, or idling at a low speed), the pointer may move toward the lower end of the normal band. If it stays outside the normal band area, have your vehicle's electrical system checked as soon as it is safely possible.

If the battery is operating under cold weather conditions, the pointer may indicate in the upper range of the NORMAL band while the battery is charging. If you are running electrical accessories with the engine off or idling at a low speed, or the battery is not fully charged, the pointer may move toward the lower end of the NORMAL band.

If it stays outside the NORMAL band, have your vehicle's electrical system checked as soon as it is safely possible.



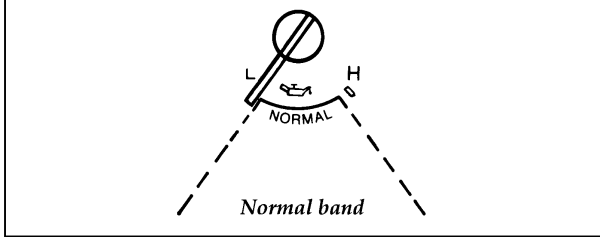
**Battery voltage gauge**

## **Engine Oil Pressure Gauge**

This gauge indicates the engine's oil pressure, not the oil level. However, if your engine's oil level is low, it could affect the oil pressure. With the engine running, the pointer should move into the NORMAL band. If the pointer drops below the NORMAL band while the engine is running, you have lost oil pressure and continued operation will cause severe engine damage.

If you lose engine oil pressure:

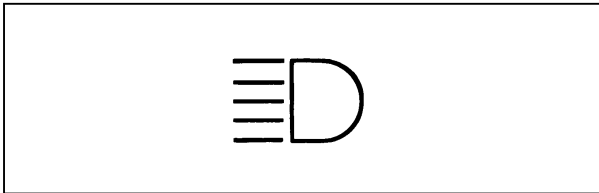
1. Pull off the road as soon as safely possible.
2. Shut off the engine immediately or severe engine damage could result.
3. Check the engine's oil level, following the instructions on checking and adding engine oil. Refer to *Engine oil* in the Index. If you do not follow these instructions, you or others could be injured. To assure an accurate reading, your vehicle should be on level ground.
4. If the level is low, add only as much oil as necessary before you start the engine again. Do not overfill. Do not operate the engine if the pointer is below the NORMAL band, regardless of the oil level. Contact your nearest dealer for further service actions.



Engine oil pressure gauge

### High Beam Light

This light comes on when the headlamps are turned on high beam or when you flash the lights.



High beam indicator light

### “Headlamps On” Alert Chime

This chime will sound if you open the door while the headlamps or parklamps are on.

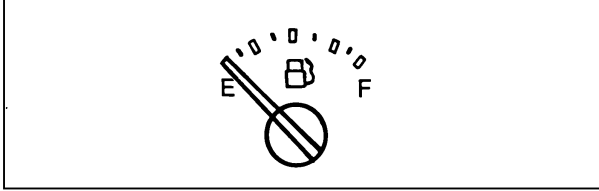
### Fuel Gauge

The fuel gauge displays approximately how much fuel is in the fuel tank only when the ignition switch is ON.

The fuel gauge indicator may vary slightly when the vehicle is in motion.

With ignition switch OFF, the fuel gauge indicator may drift from the ignition switch ON position.





Fuel gauge

## Engine Coolant Temperature Gauge

This gauge tells you the temperature of the engine coolant, not the coolant level. If the coolant is not at its proper level or mixture, the gauge indicator will not be accurate.

The pointer moves from the C (cold) mark into the Normal band as the engine coolant warms up. It is acceptable for the pointer to fluctuate within the Normal band under normal driving conditions. Under certain driving conditions, such as heavy stop and go traffic or driving up hills in hot weather, the pointer may indicate at the top of the Normal band.

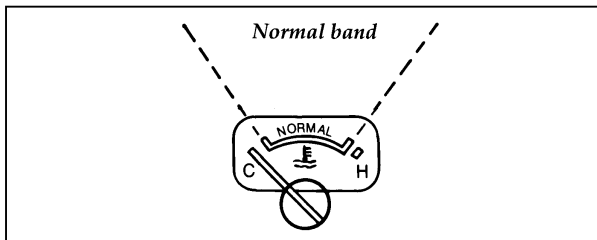
If, under any circumstances, the pointer moves above the NORMAL band, the engine coolant is overheating and continued operation may cause engine damage.

If your engine coolant overheats:

1. Pull off the road as soon as it is safely possible.
2. Turn off the engine. If you do not stop the engine as soon as safely possible, severe engine damage could result.
3. Let the engine cool. **DO NOT REMOVE COOLANT SYSTEM FILL CAP UNTIL THE ENGINE IS COOL.**

4. Check the coolant level following the instructions on checking and adding coolant to your engine, see *Engine Coolant* in the Index. If you do not follow these instructions, you or others could be injured.

For instructions on checking and adding coolant to your engine, see *Engine coolant* in the Index. If you do not follow these instructions, you or others could be injured.



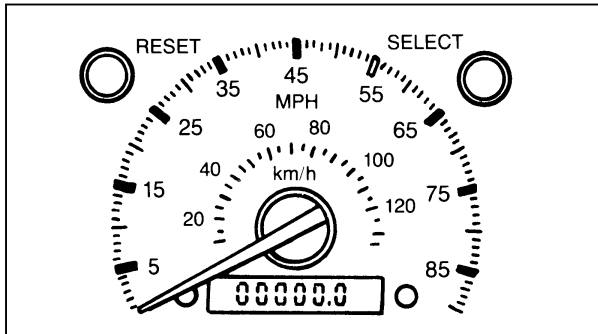
Engine coolant temperature gauge

## Speedometer

The speedometer tells you how many miles (kilometers) per hour your vehicle is moving.

Your vehicle contains a speedometer which receives its input from the Anti-Lock brake sensor. The speedometer is also used to provide a speed signal for correct operation of the vehicle's Powertrain Control Module (PCM), electronic transmission, and speed control (if so equipped). Because of this, it is very **IMPORTANT** to change the speedometer's internal conversion constant if the size of the tires on the vehicle is changed. Changing the conversion constant to the proper value when the tires are changed will also ensure that the speedometer retains the original factory-set accuracy. **NOTE:** The conversion constant can only be changed **six times** once the vehicle leaves the factory. Your Ford dealership service personnel can change the conversion constant.

Some vehicles are equipped with a vehicle speed (MPH/km/h) limiting device that is contained within the Powertrain Control Module (PCM). The purpose of this device is to maintain peak vehicle speed below a specified limit. (Vehicle speed limits may vary based on engine displacement).



Speedometer

### **Odometer/Trip Odometer**

The Liquid Crystal Display (LCD) odometer is a combination trip odometer and total odometer. The total odometer is normally displayed. To see the trip odometer, press and release the SELECT BUTTON on the upper right side of the speedometer. To zero out the trip odometer, press and release the RESET button on the upper left side of the speedometer while the trip odometer is displayed. If the trip odometer is displayed, press and release the "Select" button to return the display to the total odometer value.

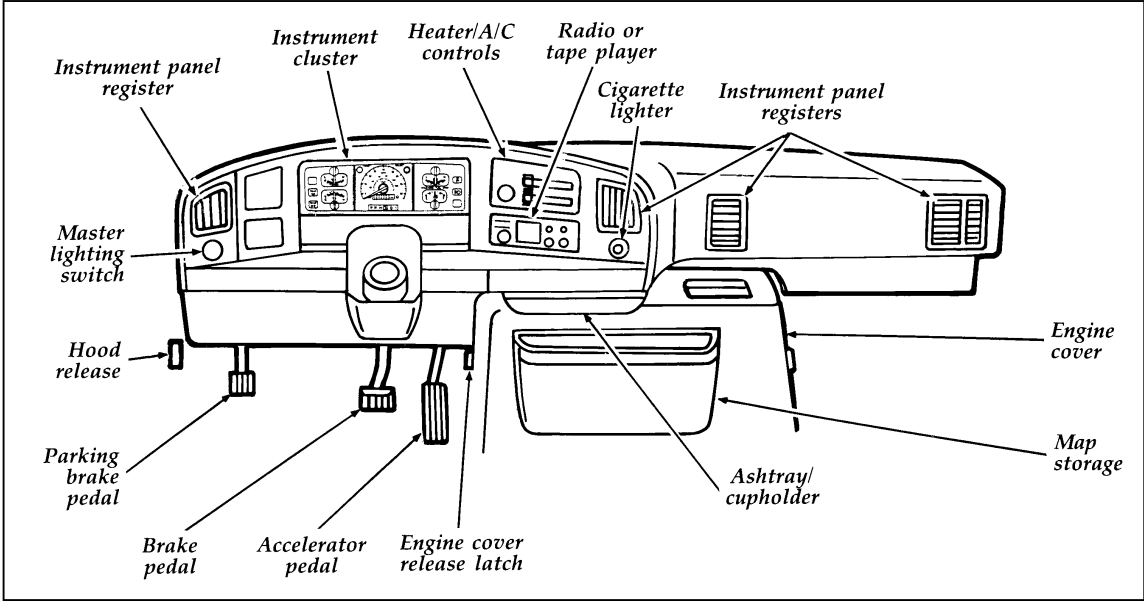
---

# Instrument Panel Controls

---

**NOTE:** The following section does not apply to Stripped Chassis vehicles. See your Body Builder's instructions for location and operation of controls for climate control systems, lamps, radio and windshield wiper/washer.

Instrument Panel & Controls



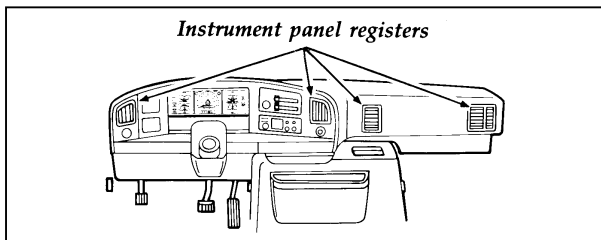
## The Climate Control Systems

Your vehicle is equipped with a control assembly designed to handle either a combination A/C-Heater System or a Heater-Only System.

If your vehicle has a factory installed auxiliary system, the front control will be equipped with a rear fan control switch. If it is a factory installed auxiliary system with REAR A/C and REAR HEATER functions, an auxiliary fan speed control switch is installed in the rear of the vehicle.

### Instrument Panel Registers

There are four registers in the instrument panel. Each of these registers contains a louver assembly which can be manually adjusted to direct airflow up, down, left and right. An illustration of the register locations follows.

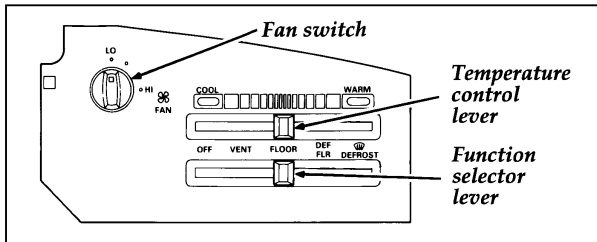


Instrument panel registers

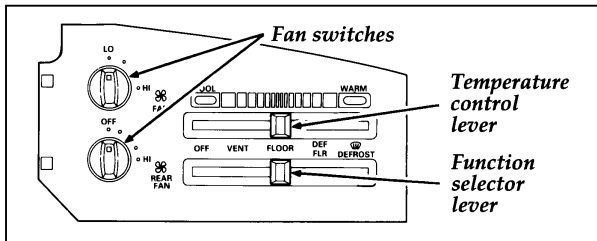
### Standard Heater

The control for your Heater system is located at the center of the instrument panel and will operate only when the ignition key is turned to the RUN position. Your Heater will heat or ventilate your vehicle interior depending on the Function lever position and temperature you select. The bottom lever is the Function Selector lever which allows you to determine where the

air will be directed. The top lever is the Temperature lever. The setting or position of the top lever determines the temperature of the air that flows into the vehicle.



**Front heater only**






**Front and rear heater only**

To turn your Heater system on, move the lower lever to any position except OFF. This will turn the fan ON and allow air flow into the vehicle. To turn your Heater off, move the lower lever to OFF. This will turn the fan off and stop air flow from coming into the vehicle.

### ***Temperature selection***

The temperature lever is the top lever located below the broken RED and BLUE band. The RED part of the band (right side) is the heat or WARM area. The BLUE area (left side) is the cool or unheated temperature area. Any position selected between full right and full left will give a temperature between the two extreme temperatures.

### ***Fan Speed Adjustment***

The  knob (upper left) on the control is the fan speed knob which controls the volume of air flow. Rotate the  knob to the right to increase fan speed and increase the amount of air entering the vehicle. Four fan speed positions are available and are indicated by LO, two separate dots and HI beside the  control knob. The HI position provides the most air flow.

### ***Airflow selections (lower lever)***

#### **VENT**

Use **VENT** to bring outside air through the instrument panel registers. You can heat the air in this position by moving the top lever into the **RED** area. The air **CANNOT** be cooled below the outside temperature.



#### **FLOOR**

Air flow will be to the floor when **FLOOR** is selected. The air can be heated by moving the top lever into the **RED** area.

#### **DEF FLR**

Select **DEF FLR** to get air to the floor and windshield defrosters at the same time.


#### **DEFROST**

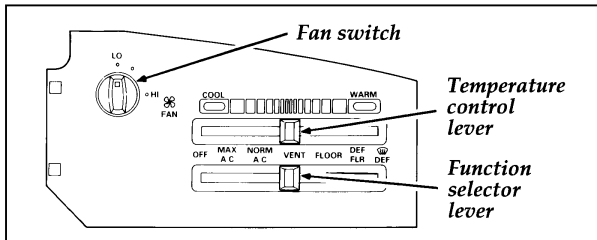
Select  **DEFROST** to obtain maximum air flow to the windshield. Move the top lever into the **RED** area for the air temperature required to defrost. Rotate the  knob to increase or decrease the air flow.



## Operating Tips

The following tips will help you to get the most satisfaction from your heater system.

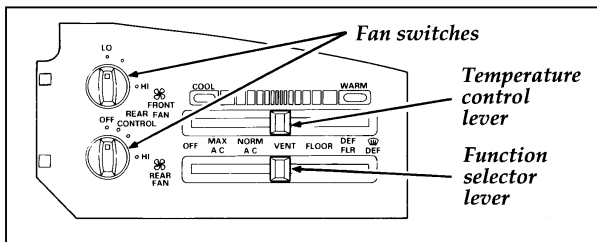
- In humid weather, select  **DEFROST**. This will help to prevent windshield fogging. After a few minutes of operation, you may select another air flow position.
- To prevent humidity buildup inside your vehicle, always drive with the heater system turned on.
- Do not put objects under the front seats unless your vehicle is equipped with an underseat storage tray. Improperly stored objects will interfere with the flow of air under the seats to the back seat area.
- Remove any snow, ice, or leaves from the air intake area at the bottom of the windshield.



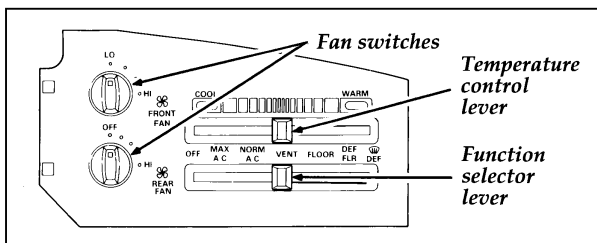
Front A/C — Heater only (Main system)

## Operational Air Conditioner and Heater

The control for your Air Conditioning and Heater system is located at the center of the instrument panel and will operate only when the ignition key is turned to the RUN position. Your Air Conditioner & Heater will heat and/or cool your vehicle interior depending on the Function lever position and temperature you select. The bottom lever is the Function Selector lever which allows you to select heating or cooling and determine where the air will be directed. The top lever is the Temperature lever. The setting or position of the top lever determines the temperature of the air that flows into the vehicle.



Front and Rear A/C and Heater (Main and Auxiliary system)



A/C and Heater, front - Heater only, rear

To turn your Air Conditioner & Heater system on, move the lower lever to any position except OFF. This will turn the fan ON and allow air flow into the vehicle. To turn your Air Conditioner & Heater off, move the lower lever to OFF. This will turn the fan off and stop air flow from coming into the vehicle.

### ***Temperature selection***

The temperature lever is the top lever located below the broken RED and BLUE band. The RED part of the band (right side) is the heat or WARM area. The BLUE area (left side) is the cooling or COOL temperature area. Any position selected between full right and full left will give a temperature between the two extreme temperatures.

### ***☼ Fan speed adjustment***

The ☼ knob (upper left) on the control is the fan speed knob which controls the volume of air flow. Rotate the ☼ knob to the right to increase fan speed and increase the amount of air entering the vehicle. Four fan speed positions are available and are indicated by LO, two separate dots and HI beside the ☼ control knob. The HI position provides the most air flow.

### ***Airflow selections (lower lever)***

#### **VENT**

Use **VENT** to bring outside air through the instrument panel registers. You can heat the air in this position by moving the top lever into the RED area. The air CANNOT be cooled below the outside temperature regardless of the top lever setting. Select **NORMAL A/C** or **MAX A/C** to get cooled air through the instrument panel registers.

## **NORM A/C**

Select **NORM A/C** to get refrigerated outside air through the instrument panel registers. The **NORM A/C** position is used for cooling except when it is extremely hot or fast cooling of the vehicle is needed. Then, select **MAX A/C** for fast cooling and return to **NORM A/C** when you are comfortable.

## **MAX A/C**

The **MAX A/C** position produces cool air more rapidly to provide faster cooling of your vehicle. This is possible because cooler air is drawn from inside the passenger area and then refrigerated again instead of using warmer outside air. Using inside air will also make the fan sound louder which is normal when using **MAX A/C**. The air flow will be from the instrument panel registers.



## **FLOOR**

Air flow will be to the floor when **FLOOR** is selected. The air cannot be cooled in the **FLOOR** position but can be heated by moving the top lever into the **RED** area.

## **DEF FLR**


Select **DEF FLR** to get air to the floor and windshield defrosters at the same time. If the outside temperature is about 50°F (9°C) or warmer, the air will also be dehumidified to remove moisture. This feature will help prevent fogging in humid weather. The air can be cooled or heated.

## DEFROST

Select  DEFROST to obtain maximum air flow to the windshield. Move the top lever into the RED area for the air temperature required to defrost. When the outside temperature is about 50°F (9°C) or warmer, the air will be dehumidified to remove moisture. The air can be cooled or heated. Rotate the  knob to increase the air flow.

### Operating Tips

The following tips help you get the most satisfaction from your air conditioner and heater system:

- In humid weather, select  DEFROST. This will help to prevent windshield fogging. After a few minutes of operation, you may select another air flow position.
- To prevent humidity buildup inside your vehicle, always drive with the air conditioner and heater system turned on.
- Do not put objects under the front seats unless your vehicle is equipped with an underseat storage tray. Improperly stored objects will interfere with the flow of air under the seats to the back seat area.
- Remove any snow, ice, or leaves from the air intake area of your Air Conditioner and Heater System which could block the air intake. The intake area is located at the bottom of the windshield.

## Auxiliary Heater and Air Conditioner (If equipped)

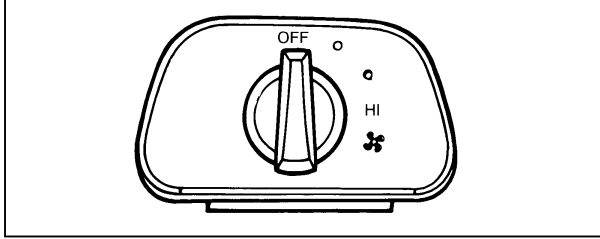
If your vehicle is equipped with a factory installed auxiliary unit (heater or heater/air conditioner), the front control assembly will include separate switches for FRONT and REAR fan control. Fan speed for front and rear systems can be set as desired by adjusting these switches.

In addition, on vehicles equipped with auxiliary A/C, an auxiliary unit fan switch is located in the headliner at a location between the front and rear seats.

- To control the auxiliary fan with this switch, the rear fan switch on the front control must be in the REAR CONTROL position.

**NOTE: The air flow from the auxiliary unit is discharged from the headliner registers (if so equipped) or the A/C register (untrimmed vehicles) when front control selector is in MAX A/C, NORM A/C and VENT only, and from floor registers when front control is in FLOOR FLR/DEF and DEF only.**

- The auxiliary unit does not provide for mixing of hot and cold air; adjustment of temperature in the rear may be accomplished by increasing or decreasing the rear fan speed.



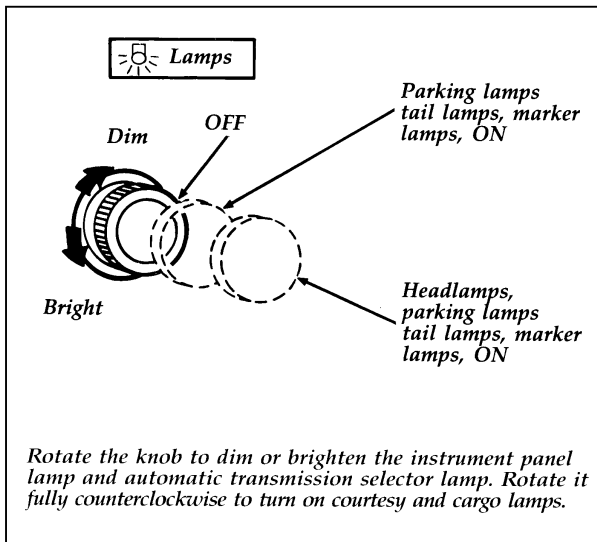
Rear mounted auxiliary fan switch

## **The Interior and Exterior Lights**

### **Turning On the Exterior Lights**

To turn on your headlamps, parking lamps, marker lamps, and tail lamps, use the headlamp switch to the left of the steering column.

1. Pull the headlamp control knob toward you to the first position. Parking lamps, tail lamps and marker lamps are now on.
2. Pull the headlamp control knob toward you to the outer position. Headlamps are now on in addition to the above.
3. Rotate the knob when it is in an on position to brighten or dim the instrument panel lamps. Rotate fully counterclockwise to operate courtesy and cargo lamps.



#### Headlamp switch

### Cleaning the Exterior Lamps

Do not use dry paper towel, chemical solvents or abrasive cleaners to clean the lamps, as these may cause scratches or crack the lamps.

### Daytime Running Light System

#### *(Canadian vehicles only)*

The Daytime Running Light (DRL) system turns the high beam headlamps on, with a reduced light output, when:

- The headlamp system is in the OFF position, and
- The vehicle is running, and
- The vehicle has a fully released parking brake.



**NOTE:** You may notice that the lights flicker when the vehicle is turned on or off. This is a normal condition.

**⚠ WARNING**

**The Daytime Running Light (DRL) system will not illuminate the tail lamps and parking lamps. Turn on your headlamps at dusk. Failure to do so may result in a collision.**

### **Lighting Up the Instrument Panel and the Interior of Your Vehicle**

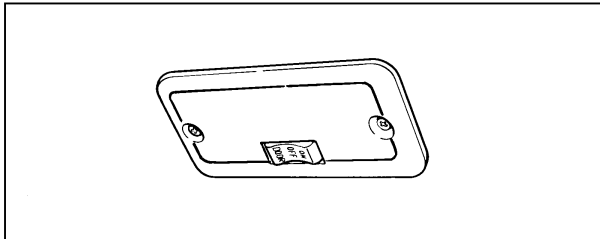
The instrument panel lights can be turned on by pulling the headlamp switch toward you to either the first or outer position. You can brighten or dim the instrument panel lights by rotating the headlamp switch knob.

### **Cargo, Courtesy and Dome Lamps**

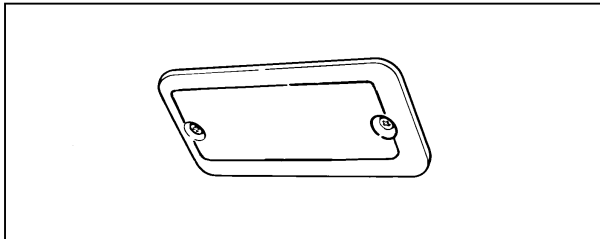
Rear cargo lamps, equipped with an ON/OFF/DOOR switch will light when the doors are closed and the switch is in the ON position.

The standard dome lamp and cargo lamp (with switch in DOOR position, if so equipped) operate as courtesy lamps when either front door is opened. Both the dome lamp and cargo lamp can be turned on by rotating the headlamp switch knob.

When the cargo lamp switch (if so equipped) is in the "OFF" position, it will not turn on when you open the doors or turn the headlamp switch knob.



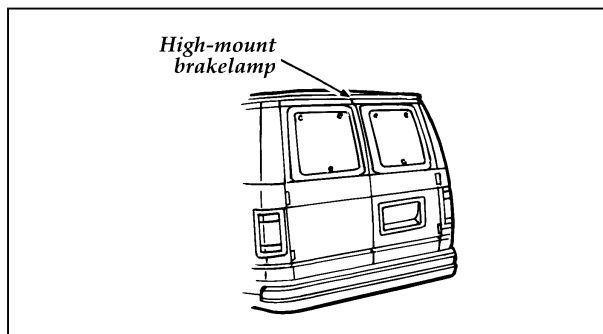
**Rear cargo lamp with rear headliner**



**Cargo lamp without rear headliner**

## High-mount Brakelamp

The highmount brakelamp is located outside the vehicle, directly over the rear doors.



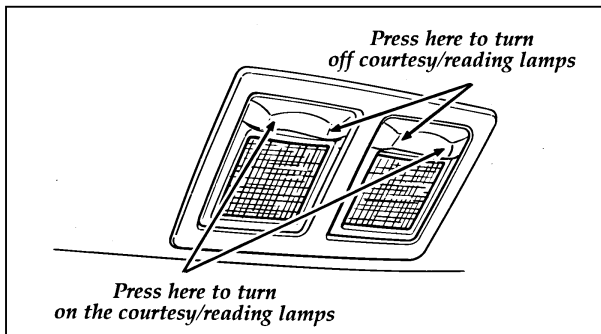
### Highmount stoplamp

## Front and Rear Courtesy/Reading Lamps

Your vehicle may be equipped with either one courtesy/reading lamp located at the front-center or three courtesy/reading lamps located at the front-center, mid-center and rear-center of the headliner (roof). The right lamps are for the right side passengers and the left lamps are for the driver and rear left side passenger.

With the lens in the flat position, the courtesy/reading lamp will illuminate when any door is opened or when the headlamp dimmer knob is rotated to the courtesy lamp position.

With the lens in the rotated position, the courtesy/reading lamp will illuminate.



Courtesy/reading lamps

### **Cleaning the Instrument Panel Lens**

Clean the instrument panel lens with a soft cloth and a glass cleaner, such as Ford Ultra-Clear Spray Glass Cleaner, or equivalent. Do not use paper towel or an abrasive cleaner to clean the lens as these may cause scratches.

### **Cleaning the Interior Lamps**

Your interior dome lamps and map lamps are plastic and should be cleaned with a mild detergent diluted in water. Rinse them with clear water.

---

# Steering Column Controls

---

The controls on the steering column and wheel are designed to give you easy access to the controls while you are driving.

## The Turn Signal Lever

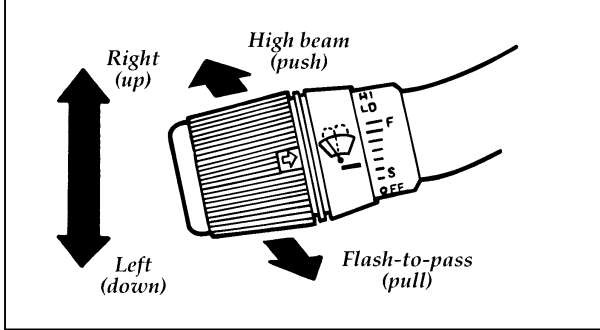
You can use the turn signal lever on the left side of the steering column to:

- operate the turn signals and cornering lamps
- turn the high beams on/off
- flash the lamps
- turn the windshield wipers and washer on/off

## Turn Signals

Move the lever up to signal a right turn. Move it down to signal a left turn. The corresponding indicator light in the instrument cluster will flash.

If the turn signal stays on after you turn, move the lever back to the center (off) position.



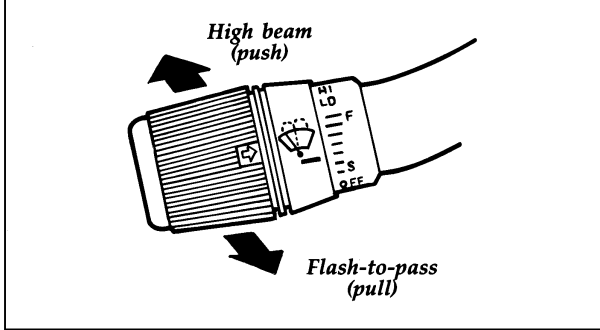
### **Turn signal lever and functions**

If the turn indicator light in the instrument panel does not illuminate or remains on (doesn't flash) when you signal a turn, the turn signaling system is malfunctioning. Have this condition corrected as soon as possible, but make sure that you use the accepted hand signals in the meantime.

### **High Beams**

To turn on the high beams, turn the headlamp control knob to the headlamp ON position and push the turn signal lever away from you until it latches. When the high beams are ON, the high beam indicator light on the instrument panel comes on.

To turn off the high beams, pull the lever toward you until it latches. The high beam indicator light turns off.



Headlamp high beam switch and turn signal lever

## Flashing the Lights

To flash the headlamps, pull the lever toward you for a moment and then release it. The headlamps will flash whether the headlamp knob is in the on or off position.

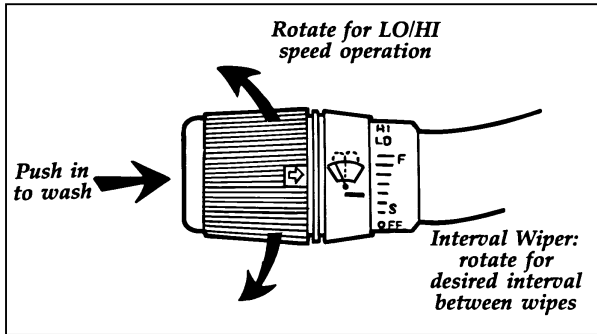
## Windshield Wipers and Washer

To turn on the windshield wipers, the ignition key must be turned to the ON or ACC position.

Turn the knob on the end of the turn signal lever toward the front of the vehicle. You can turn it to either the LO or HI speed position.

## Variable Interval Wipers

In addition to two speed wipers, your vehicle is equipped with wipers that you can set to operate at varying intervals. For example, you can set the interval so they wipe less often when it drizzles or more often in heavier rain.



Interval wiper on turn signal lever

To set the interval wipers, rotate the knob at the end of the turn signal lever toward or away from the instrument panel to the interval operation you desire.

## Windshield Washer

To clean the windshield, push in the end of the wiper knob. For a constant spray, keep the knob pushed in. After you release the knob, the wipers operate for two to three cycles before turning off (if wipers were off) or returning to the interval selected.

Do not try to clean the windshield when the washer fluid container is empty or activate the washers at any time for more than 15 seconds continuously. This could damage the washer pump system.



**⚠ WARNING**

**In freezing weather, the washer solution may freeze on the windshield and obscure your vision. Always warm up the windshield with the defroster before you use the washer fluid. If you cannot see through the windshield clearly, it can increase the risk of being involved in a collision.**

For information about refilling the washer fluid or replacing your windshield wiper blades, see *Windshield washer fluid and Wipers* in the Index.

## **Hazard Flasher**

The hazard flasher is used to alert other drivers to hazardous situations.

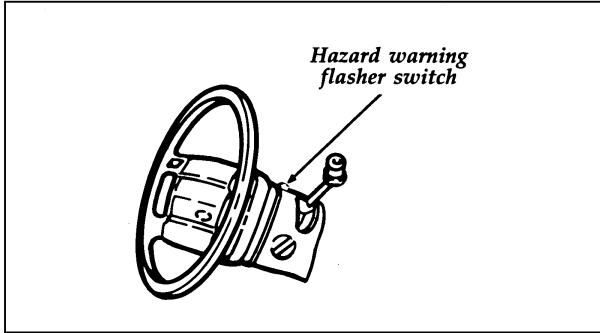
The flashers will flash and the high-mount brakelamp will stay on steadily (not flash) with the brake pedal depressed.

The flashers work whether your vehicle is running or not. The flashers work for up to two hours when the battery is fully charged and in good condition without draining the battery excessively. If the flashers run for longer than two hours or if the battery is not fully charged, the battery can be drained.

To use the hazard flasher:

1. Push in the flasher button; it will pop out and the lamps will begin to flash.
2. To stop the flashers, push in the flasher button again.

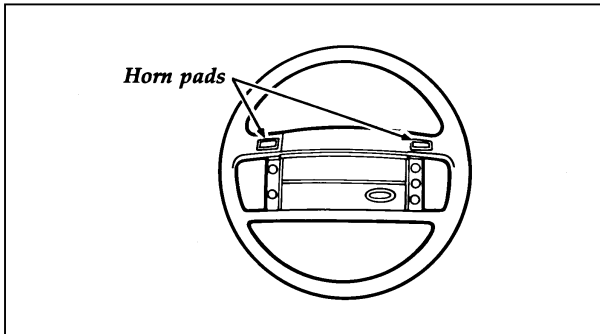
**NOTE: The flasher button will be sticking up slightly higher when ON than when OFF.**



Hazard flasher

## Horn

To sound the horn, press either horn pad.

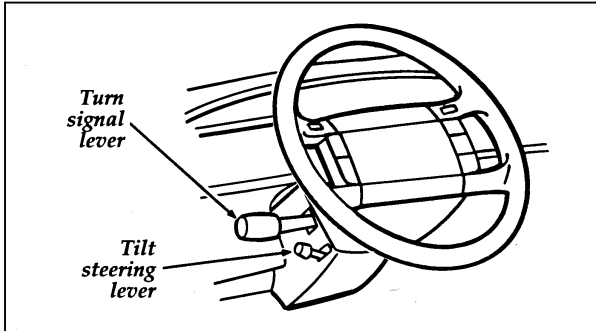


Horn location (with speed control option)

## Tilt Steering (If equipped)

**⚠ WARNING**

**Never adjust the steering wheel when the vehicle is moving.**



**Turn signal and tilt release wheel lever**

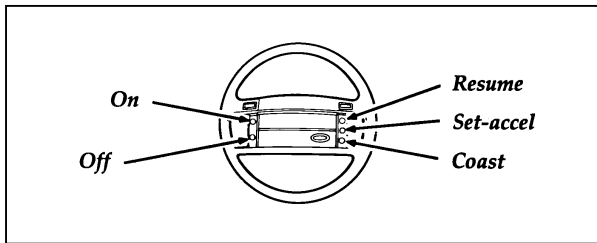
To change the position of the steering column/wheel, pull the release lever on the column toward you. Tip the steering wheel to the desired position. Release the lever to lock the steering wheel in place.

Be sure the steering wheel locks in a notch. It is not infinitely adjustable. Do not adjust the steering wheel while the vehicle is in motion.

## Speed Control (If equipped)

Your vehicle has speed control, so you can automatically maintain a constant speed above 30 mph (50 km/h). The switches to operate the speed control are on the steering wheel.

Use of radio transmitting equipment that is not Federal Communications Commission (FCC) or in Canada the Canadian Radio and Telecommunications Commission (CRTC) approved may cause the speed control to malfunction. Therefore, use only properly installed FCC (CRTC in Canada) approved radio transmitting equipment in your vehicle.



The speed control switches

To set the speed control:

1. Press and release the ON switch.
2. Accelerate to the desired speed above 30 mph (50 km/h) using the accelerator pedal.
3. Press the SET ACCEL switch and release it immediately to set your speed. If you keep this switch pressed, your speed will continue to increase.
4. Take your foot off the accelerator pedal. Your vehicle will maintain the speed you set.

If you drive up or down a steep hill, your vehicle may momentarily slow down or speed up, even though the speed control is on. This is normal.

**NOTE:** If your speed increases above your set speed while driving in **D** (Overdrive) on a downhill grade, you may want to depress the transmission control switch located on the shift lever to turn off overdrive to reduce vehicle speed. Speed control cannot reduce the vehicle speed if it goes above your set speed on a downhill grade. For the best fuel economy during normal driving conditions, leave the shift select in **D** (Overdrive), or resume as soon as practical.

**⚠ WARNING**

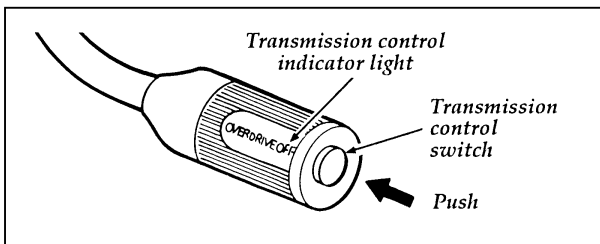
**Do not use the speed control in heavy traffic or on roads that are winding, slippery, or unpaved.**

In mountainous areas, at higher elevations, or when pulling a trailer, the speed control may not be able to maintain the preset speed with the transmission in **D** (Overdrive).

**⚠ WARNING**

**Do not shift the transmission into N (Neutral) with the speed control on.**

To maintain a preset speed under the above conditions, with electronically controlled transmissions — press the Transmission Control Switch. The indicator light will turn on and illuminate the word “OFF.” This will cancel “Overdrive”. You can press the Transmission Control Switch on or off at any speed. For the best fuel economy during normal driving conditions, press the Transmission Control Switch to turn off the light. This allows overdrive operation.



Transmission control switch and Indicator light

## Accelerating With the Speed Control Operating

You can use the accelerator pedal to speed up momentarily. When you take your foot off the accelerator, the vehicle will return to the set speed.

## Resetting the Speed Control

To reset the speed control to a **lower speed**, press and hold the COAST switch. Let your vehicle slow down to the desired speed and release the COAST switch.

Your vehicle has a “tap-down” feature that allows you to decrease your current speed in increments of 1 mph (1.6 km/h) by a momentary tap of the COAST switch. Multiple taps of the COAST switch will decrease your vehicle speed 1 mph (1.6 km/h) for each tap.

For example, if you are currently set at 65 mph (104 km/h) and tap the COAST switch 5 times your vehicle speed will decrease and set at 60 mph (96 km/h).

To reset the speed control to a **higher speed**, you can follow any of these procedures:

- Accelerate to the desired speed using the accelerator pedal, then press the SET ACCEL switch and release it immediately.
- Press and hold the SET ACCEL switch until the vehicle accelerates to the desired speed, then release the switch.
- TAP-UP — This allows you to increase your current speed in increments of 1 mph (1.6 km/h) by a momentary tap of the SET-ACCEL switch. Multiple taps of the SET-ACCEL switch will increase your vehicle speed 1 mph (1.6 km/h) for each tap. For example, if you are currently set at 60 mph (96 km/h) and tap the SET-ACCEL switch 5 times your vehicle speed will increase and set at 65 mph (104 km/h).

### **Turning the Speed Control Off**

You can cancel the speed control while you are driving.

- Press the OFF switch. The speed control is off. If you want to resume speed control, press the ON switch and reset the speed control by pressing the SET ACCEL button.
- Press the brake pedal slightly. The speed control is suspended, but you can reset it by pressing SET ACCEL or return to the previous set speed with the RESUME switch.

In addition, the speed control is turned off each time you turn the vehicle off.

## **Driving uphill or on a steep grade**

When the speed control is on, your vehicle may significantly drop speed when driving uphill, especially with a heavy load. If the speed drops more than 8 to 14 mph (15 - 25 km/h) the automatic speed control will, by design, be canceled. You may have to temporarily resume manual speed control while driving up a steep grade in order to maintain the speed you desire.

Frequent shifting of an automatic transmission or speed loss during speed control operation can be eliminated by shifting out of overdrive into drive (or by pressing the Transmission Control Switch, if equipped). These conditions could occur in hilly terrain or at higher elevations.

If the speed control “dropped out” after your climb is completed, the speed of your vehicle can be reset with the SET ACCEL switch, or returned to the previous set speed with the RESUME switch, as long as you are driving over 30 mph (50 km/h).



## Resuming a Set Speed

If you press the brake pedal, the speed control is cancelled. You can return to the speed you set by using the RSM switch, as long as you did not press the OFF switch.

To resume the speed you had before, you must be driving at least 30 mph (50 km/h).

Press and release the RESUME switch. Your vehicle gradually returns to the previously set speed and then maintains it.

 <b>WARNING</b>
--

<b>If your vehicle has speed control, do not use it on slippery roads. You could lose control of your vehicle and could injure someone.</b>
---

---

# Features

---

Your vehicle has a variety of features designed for your comfort, convenience and safety. Read this chapter to find out about standard and optional features.

**NOTE: For Stripped Chassis vehicles, see your Body Builders manual for location and operation of all items defined in this section.**

## Doors

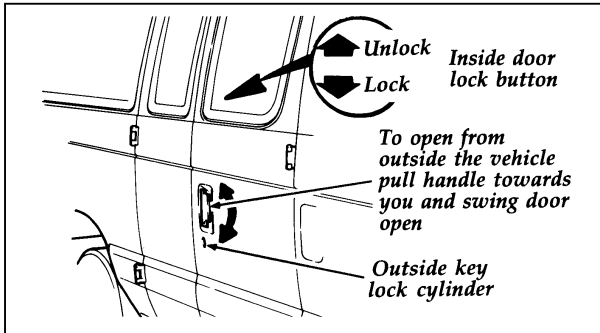
### Anti-theft front door lock knobs

Anti-theft lock knobs are designed to preclude unlocking the door by pulling up on the bullet type lock knob. To unlock and open the front door from the inside of the vehicle, pull on the inside door handle.

### Side Double Doors (If equipped)

To open the forward door of the side double door from the inside, first unlock the door with the lock plunger or the power lock switch. Now reach into the depression in the door and pull the release handle inward. Open the forward side door from the outside by pulling the door handle towards you.

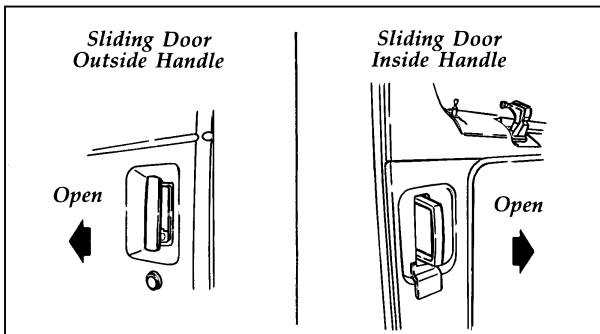
The rear side door cannot be opened until the forward side door is open. With the forward side door open, pull the release handle (from the middle of the rear door pillar) to open the rear side door.



Side double door handles

## Sliding Door

Unlock the door first. Then unlatch the sliding door by pulling the inside handle to the rear, or by pulling the outside handle outward. Now slide the door back until the catch at the bottom of the door engages. To close, pull the inside handle forward or pull the outside handle forward, and slide the door forward until it is closed and latched. If the door is not completely closed repeat the process.

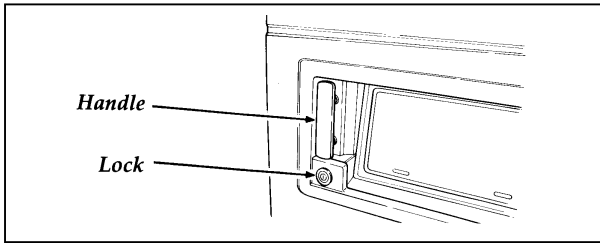


Sliding door handles

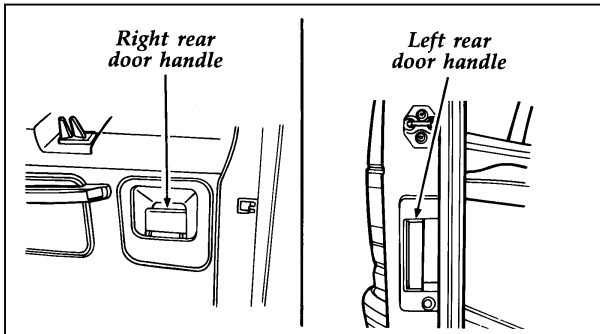
## Dual Rear Cargo Door

To open the right rear door from the inside, first unlock the door with the lock plunger. Now reach into the depression in the door and pull the release handle inward. Open the right rear door from the outside by pulling on the door handle.

The left rear door cannot be opened until the right rear door is open. With the right rear door open, pull the release handle (from the middle of the left door) to open the left door.



Dual rear cargo door handles - outside



Dual rear cargo door handles - inside

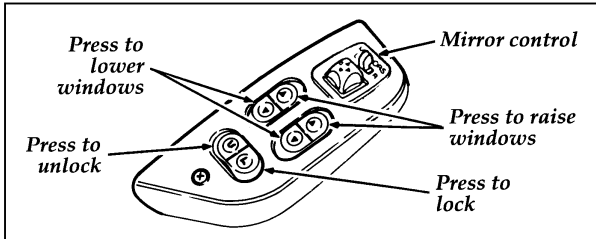
**⚠ WARNING**

**Do not operate your vehicle with the rear double doors open.**

### **Power Door Locks (If equipped)**

The power door lock switches are located in the front doors. To lock all doors push the switch marked L. To unlock all doors push the switch marked U.

The manual door locks will override the power door lock controls.



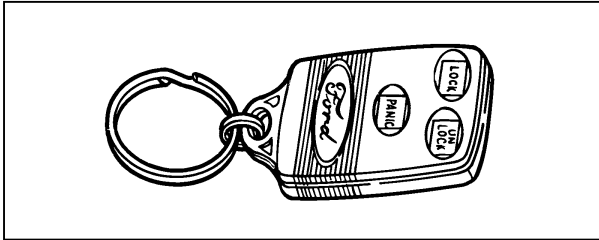
Power door lock controls

### **Remote Entry System (If equipped)**

If your vehicle has the remote entry system, you can lock or unlock the vehicle doors without using a key. The remote also has a personal alarm feature. The buttons for the system are located on the two hand held transmitters that came with your vehicle.

The system will work with up to four transmitters. Your vehicle came with two transmitters. Additional transmitters can be ordered from your dealer.

The remote entry features only operate with the ignition in the OFF position.



The remote entry transmitter

### ***Unlocking the doors with the remote entry system***

To unlock the driver's door, press the UNLOCK button.

To unlock the other doors, press the UNLOCK button a second time within five (5) seconds of unlocking the driver's door.

### ***Locking the doors with the remote entry system***

To lock all the doors, press the LOCK button. This will also arm the optional factory installed Anti-Theft system.

### ***Remote entry personal alarm***

If you wish to activate the remote entry system personal alarm, press the PANIC button. This will honk the horn and flash the lights for approximately 2 minutes 45 seconds. You can turn it OFF by pressing the PANIC button again from the same transmitter or by turning the ignition to the ON or ACCESSORY position.

When you use the remote entry UNLOCK or PANIC buttons, the illuminated entry system turns on the vehicle's interior lights for 25 seconds. You can turn these lights off with the remote entry LOCK button or by turning the ignition to the ON or ACCESSORY position.

*This device complies with Part 15 of the FCC Rules. Operation is subject to the following two conditions: (1) This device may not cause harmful interference, and (2) This device must accept any interference received, including interference that may cause undesired operation.*

### ***Arming and Disarming the Alarm System with Remote Entry***

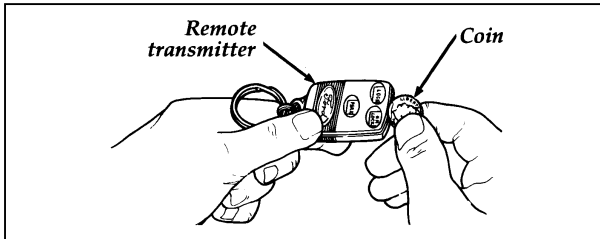
Your Remote Entry System will automatically arm the factory installed Anti-Theft System when the doors are locked, and automatically disarm it when the doors are unlocked. The remote will also reset the anti-theft alarm (when the driver's door is unlocked) if it was triggered.

The remote entry system may not arm and disarm non-factory installed anti-theft systems.

### ***Replacing the batteries***

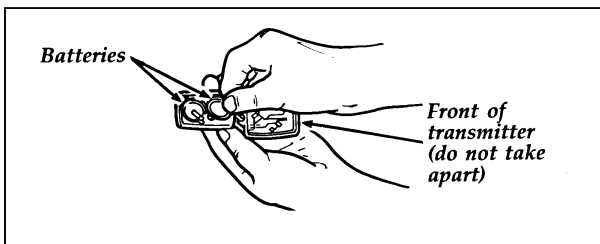
The remote entry transmitter is powered by two coin type three-volt lithium 2016 batteries (included) that should last for several years of normal use. If you notice a significant decrease in operating range, the batteries should be replaced. Replacement batteries can be purchased at most pharmacies, watch stores or at your Ford or Lincoln-Mercury dealer.

**NOTE:** The operating range of the remote entry system can also be affected by weather conditions (such as very cold temperatures) or structures around the vehicle (buildings, other vehicles, radio and TV towers, etc.). Typical operating range will allow you to be up to 33 feet (10 meters) away from your vehicle.



**Opening the remote transmitter**

The transmitter can be snapped apart to replace the batteries by twisting a thin coin between the two halves of the transmitter. **DO NOT TAKE THE FRONT PART OF THE TRANSMITTER APART.** When installing the new batteries, be sure to place the positive (+) side down as marked. Snap the two halves back together.



**Replacing the batteries**



### ***Replacing lost transmitters***

In the event a transmitter is lost, you should take all your vehicle's transmitters to your dealer to have the remote entry system deprogrammed for the lost transmitter. This is necessary to prevent further unauthorized use of the lost transmitter.

You can also purchase additional transmitters (up to 4 transmitters can be used) from your dealer. You will need to take all your transmitters to the dealer so they can program them to the remote entry system all at the same time.

### ***Memory lock (sliding door)***

Your Econoline has a "Memory Lock" feature that does not require the sliding door or the 60/40 cargo doors to be closed before using the power locks. If you lock your doors with the power lock switch or the Remote Transmitter while the door is open, the door will automatically lock after it is closed.

### **illuminated Entry System (If equipped)**

This system will provide illumination of the vehicle's interior courtesy lamps when either outside front door handle is pulled or when the Remote Entry System is used to unlock the door or sound the Personal Alarm. The system will automatically turn off after approximately 25 seconds or when the ignition is turned to the START or ACCESSORY position.

**NOTE: The inside lights will not turn off if you have turned them on with the dimmer knob or if any door is open.**

## Anti-theft system (If equipped)

When armed, this system helps protect your vehicle against break-ins or theft.

When an unauthorized entry occurs, the system triggers and will:

- flash the headlamps, parking lamps, and alarm indicator lamp
- honk the horn
- disable the starting circuit to prevent the vehicle from being started

### ***Arming the system***

1. Remove the key from the ignition.
2. Open any door. The alarm indicator light will start flashing to remind you to arm the system.
3. Lock the doors by using the power door lock switch. The alarm indicator light will now glow steadily.

**NOTE: The system can also be armed by pressing the LOCK button on the remote transmitter after the doors have been closed.**

4. Close all doors. The alarm indicator light will then remain on steadily for approximately 30 more seconds and then go out. When the light goes out the system is armed.

**NOTE: Be sure to close all doors completely. If not, the alarm indicator light will remain on. Remember, your anti-theft system is armed only after the alarm indicator light remains on steadily for approximately 30 seconds after the last door is closed, and then goes out.**

The anti-theft system is designed to work with the factory installed remote entry system. It may not work with other remote entry systems.

### ***Disarming an untriggered anti-theft system***

You can disarm the system by unlocking either front door or the rear door with your door key. Turn the key all the way to the end of travel or the system will not disarm.

You can also disarm the system by unlocking the driver's door by using the UNLOCK button of the remote entry transmitter.

If the system is armed and you remain in your vehicle, simply insert the key into the ignition and turn it to ON. This disarms the system and allows you to open the door and exit without triggering the system.

### ***Disarming a triggered system***

The alarm can be disarmed by:

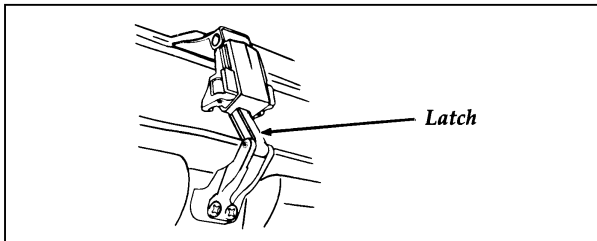
- unlocking any door with the key, or
- using the UNLOCK button of the remote entry transmitter

**NOTE: The flashing lights and honking horn will shut off automatically within 2 minutes 45 seconds after the system is triggered. It will trigger again if another intrusion occurs. However, the starter circuit remains disabled until the system is disarmed.**

## Windows

### ***Side, cargo door and rear door window controls (If equipped)***

To open, press down on the window latches. Then depress the levers on each side of the latch and pull the latch upward. Move the latch out and depress into the open position. To close, depress the levers on each side of the latch. Lift the latch and pull inward, then press down on the latch to lock the levers.



Window latch

#### **! WARNING**

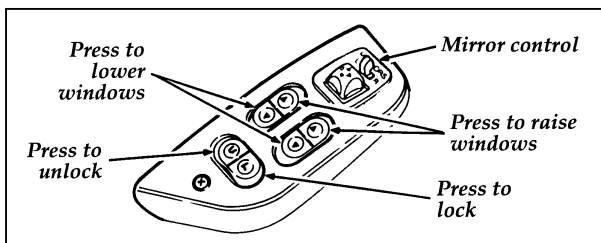
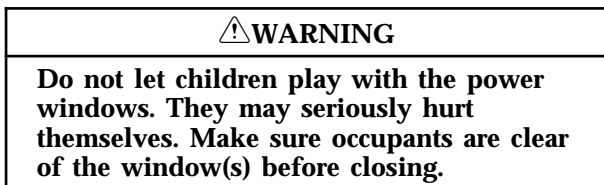
**Rear doors, rear door flipper windows, and van conversion windows, should be closed while driving. This will prevent exhaust fumes from being drawn into your vehicle.**

If you can't avoid leaving one or all of the above windows open, you should pay careful attention to the following precautions:

- Adjust your climate control system to force outside air into your vehicle.
- Completely open the outside air vents, if your vehicle is so equipped.

## Using the Power Windows (If equipped)

Each door has a power control that opens and closes the window on that door. The driver's door has a master control switch that operates both front door windows. You must place the ignition switch in the ON or ACC position to use your power window controls.



Master control switch

## Seats

### Adjusting the Front Seat Manually

To move the front seat forward or rearward:

1. Find the adjustment lever at the lower left corner of the front seat.
2. Push the lever to the left to unlatch the seat.
3. Move the seat to the desired position.
4. Release the lever to latch the seat in its new position. Make sure the seat locks securely in place.

**⚠️ WARNING**

**Never adjust the driver's seat or seatback when the vehicle is moving.**

**⚠️ WARNING**

**Do not pile cargo higher than the seatbacks to avoid injuring people in a collision or sudden stop.**

**⚠️ WARNING**

**To reduce the risk of serious injury in a collision, always drive and ride with your seatback upright and the lap belt snug and low across the hips.**

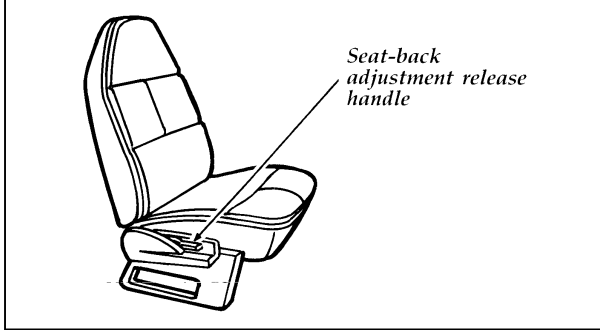
**⚠️ WARNING**

**To reduce the risk of serious injury in a collision, children should always ride with the seatback upright.**

### **Reclining Bucket Seats**

You can tilt the seat back of your bucket seats backward.

1. On the right hand side of the seat, lift the recliner handle up and hold it in place.
2. Lean against the back of the seat and adjust it to the position you want.
3. Release the handle to lock the seat back in place.
4. To return the seat back upright, lift the handle and lean forward.



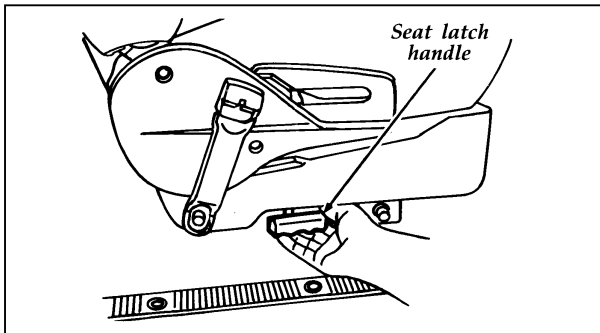
Reclining bucket seat

## Quick Release Rear Captain Chairs

### *Second row*

To remove:

1. Disengage the lap/shoulder safety belt from the seat by inserting a key or similar device into the slot in the detachable anchor and lifting upward. Stow the tongue end of the detachable anchor as shown.
2. Pull the seat latch handle, located on the right hand side of the seat base, and pull seat toward the right hand side of vehicle to disengage four pins from the floor mount.

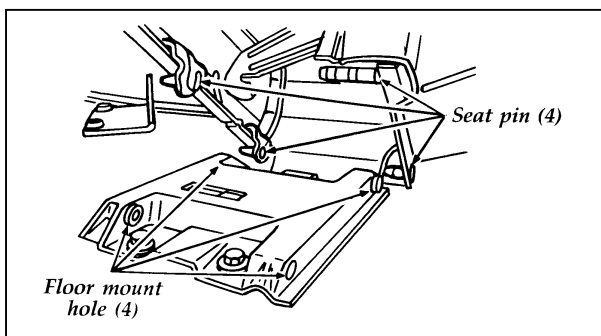


Removing the quick release rear captains chair

3. Remove the seat from the vehicle.

To install the rear bucket seat:

1. Lift the seat assembly into the vehicle and position the seat to the floor mount.
2. Engage the four seat pins into their respective floor mount holes and push the seat toward the left hand side of the vehicle to fully engage.



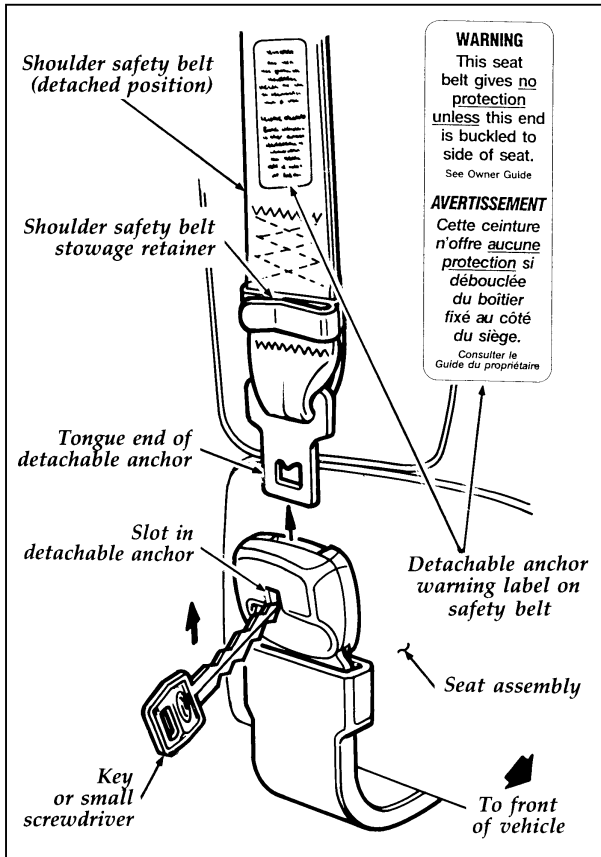
#### Installing the quick release rear captains chair

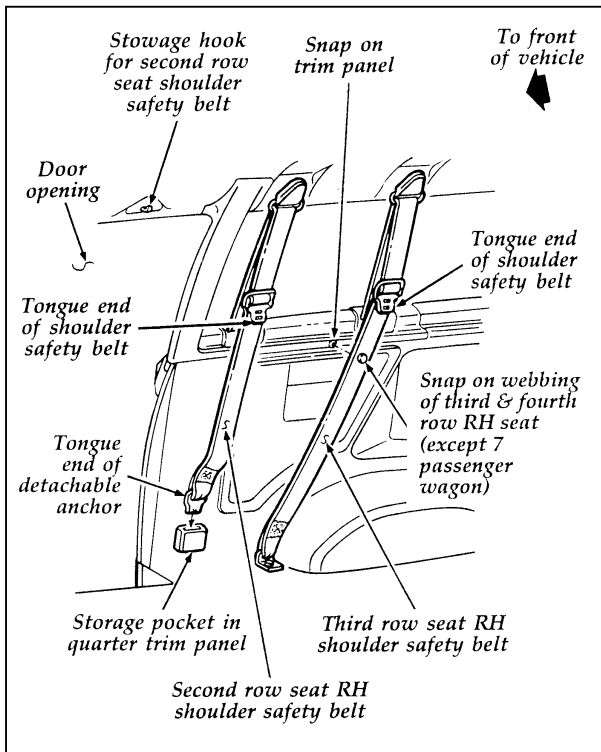
3. Push the seat latch handle downward to a full stop. This locks the seat in position.
4. Before you engage the safety belt, be sure it is not twisted. Remove any twist, then insert the tongue end of the detachable anchor into the detachable anchor until you hear a “snap” and feel the latch engage.

#### **⚠️ WARNING**

**Check to see that the seat is latched securely in position. Keep floor area free of objects that would prevent proper seat engagement. Never attempt to adjust the seat latch while the vehicle is in motion.**







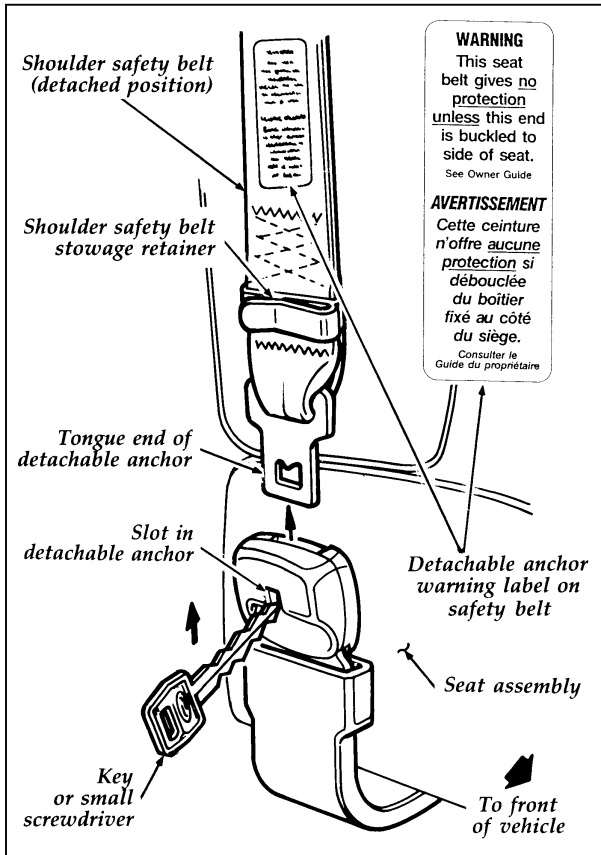
Rear seat shoulder safety belt — stowage (with seat removed)

## Quick Release Rear Passenger Seat Assembly

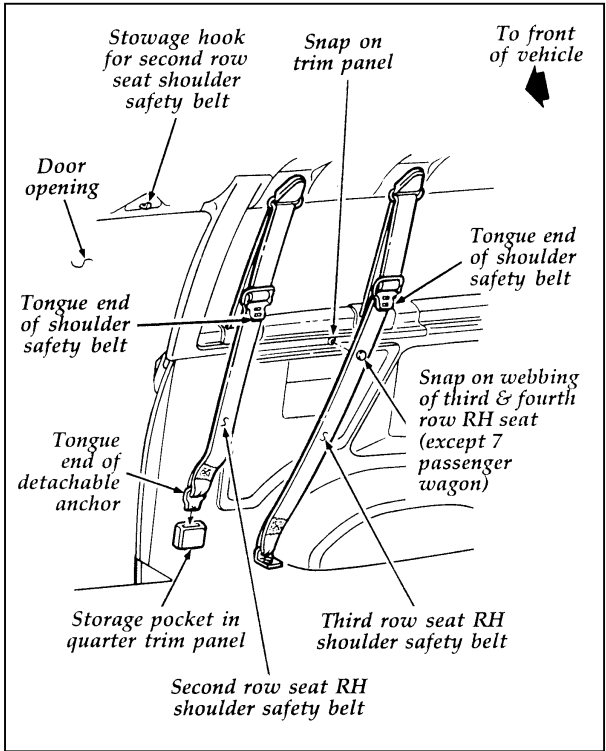
### Three Passenger and Four Passenger Bench and Bed Seats

To remove the seat assembly:

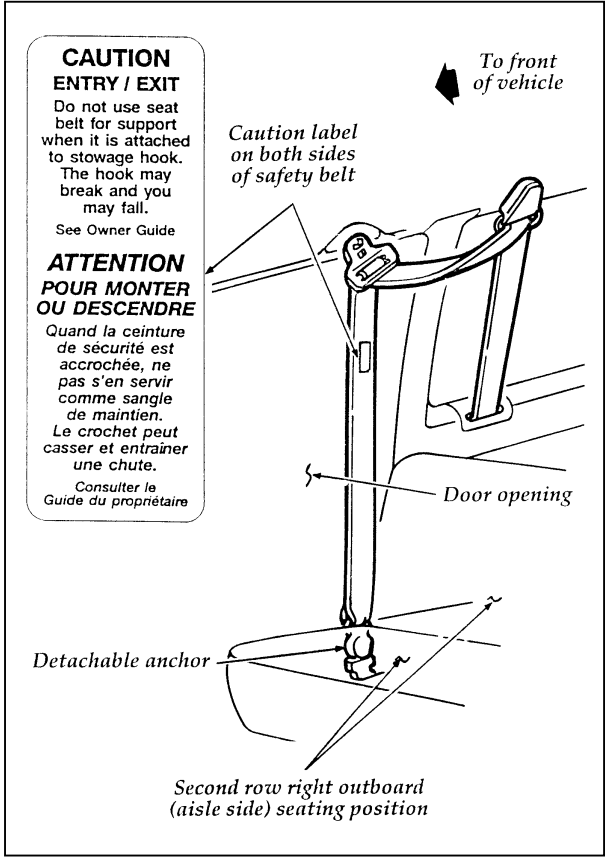
1. Disengage the lap/shoulder safety belt from the seat by inserting a key or screwdriver into the slot in the detachable anchor and lifting upward. Stow the tongue end of the detachable anchor as shown in the illustration.



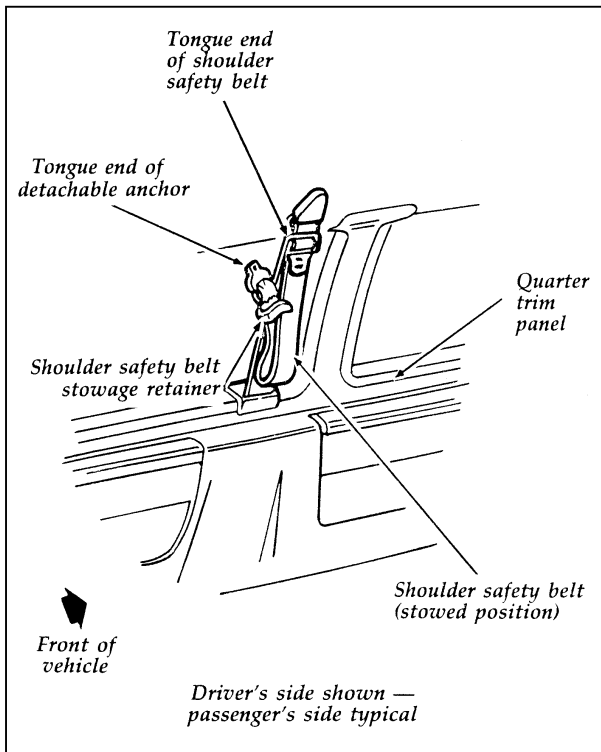
**Location of the detachable anchor warning label on safety belt**



**Rear seat shoulder safety belt — stowage (with seat removed)**



Location of the stowage hook caution label on safety belt



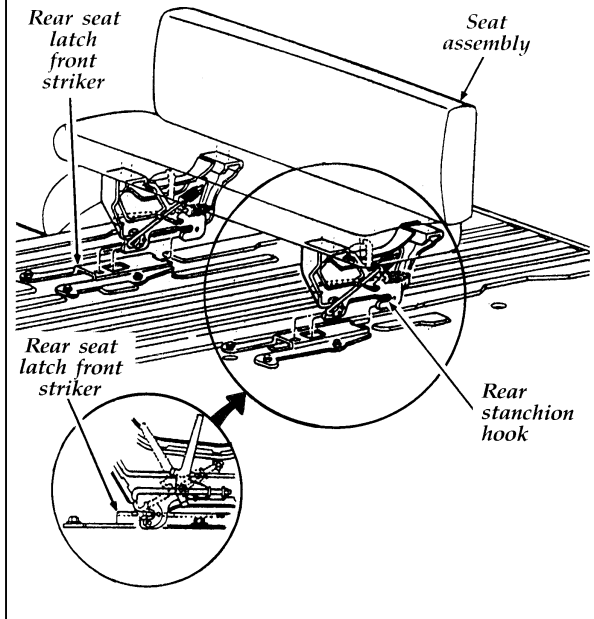
**Rear seat shoulder safety belt — stowage (with seat removed)**

2. Lift and rotate the LH/RH seat latch handles rearward.
3. Lift the LH/RH latch rod hook ends out of the locking holes in the front strikers.
4. Move (slide) the seat rearward and lift the seat's rear stanchion hooks away from the rear latch strikers in the floor prior to lifting the front stanchion hooks out from the front latch strikers in the floor. Refer to the illustration.
5. Remove the seat assembly from vehicle.

To install the seat assembly:

1. Place the seat assembly in the vehicle.
2. Align the front stanchion hooks to the front latch strikers in the floor prior to lowering the seat's rear stanchion hooks and aligning them with the rear latch strikers in the floor.
3. Engage the LH/RH latch rod hook ends in the front striker locking holes.
4. Rotate the LH/RH latch handles forward, and at the same time, slide the seat assembly forward to engage the floor strikers. Continue forward movement until it reaches the end of its travel.
5. Before you engage the lap/shoulder safety belt to the seat, make sure the belt is not twisted. A twisted belt may cause the retractor to not work properly. Remove any twist, then insert the tongue end of the detachable anchor into the detachable anchor until you hear a "snap" and feel the latch engage. Refer to the previous illustration.

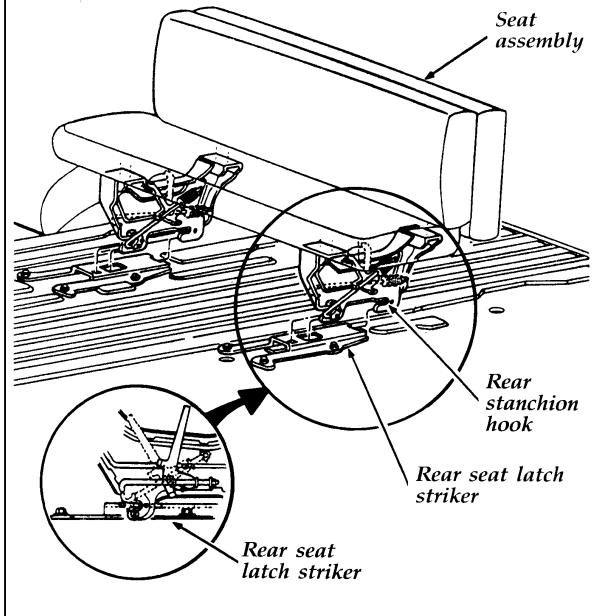
*The rear seat (3 passenger) with automatic locking seat belt retractors at the outboard locations must always be installed in the first bench seat position.*



**Quick seat release — bench seat**



*The rear seat (3 passenger) with automatic locking seat belt retractors at the outboard locations must always be installed in the first bench seat position.*



Quick seat release — bed seat

**⚠ WARNING**

**Keep striker area free of foreign objects that would prevent front and rear retainers from engaging the strikers properly.**

**⚠ WARNING**

**Before using the seat, make sure that the latch hooks are securely locked around the floor pins.**

**⚠ WARNING**

**Never adjust the driver's seat or seatback when the vehicle is moving.**

**⚠ WARNING**

**Always latch the vehicle seat to the floor, whether the seat is occupied or empty. If not latched, the seat may cause injury during a sudden stop.**

### **Floor Striker Removal**

To remove striker:

1. Remove striker attaching bolts and washers.
2. Remove striker.
3. Apply a bead of Ford Caulking Cord, Part No. D6AZ-19560-A or an equivalent to the floor pan side of the washers.
4. Ensure proper sealing by installing the bolts and washers into the mounting holes without the striker. Tighten to 5-10 ft-lb (7-13 N·m). **Do not over tighten.**

To reinstall floor striker:

1. Remove the bolts and washers.
2. Install striker and bolts and washers. Tighten bolts to 34-46 ft-lb (47-63 N·m).

**NOTE: Never substitute other than specified bolts and washers.**

## **Seat/bed conversion**

### ***To convert the seat/bed to a bed:***

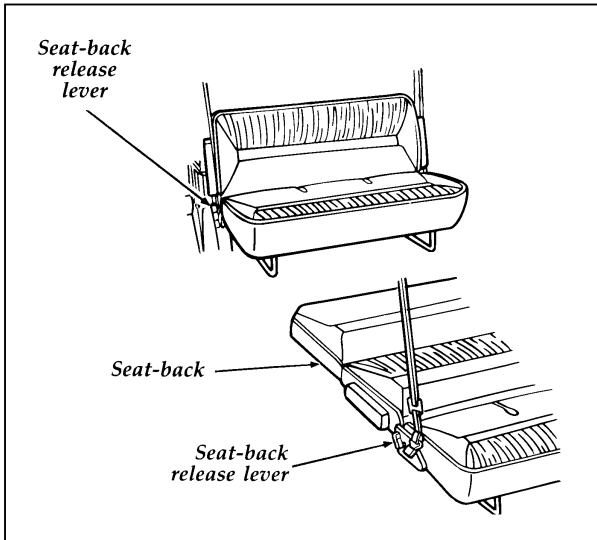
1. While in the rear of the vehicle, behind the seat, rotate the release lever on the right side of the seat while pulling the seat back extension panel rearward and up until flat.
2. Tuck the safety belts into the pockets on the seat cushion while in the bed position.

### ***To convert the bed to a seat:***

1. While in front of the seat, pull the release lever up and at the same time pull the seatback up. Raise the seatback to the full upright and locked position.
2. Make sure the safety belts are free and available for use.
3. Push the seat back extension forward, making sure the latch engages.

**⚠ WARNING**

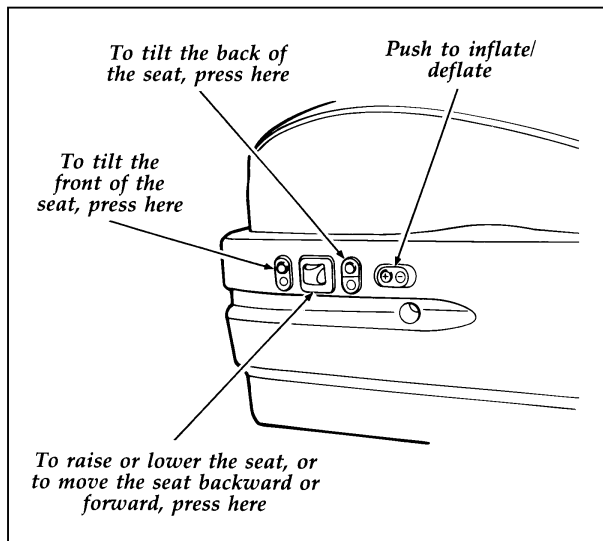
**The seat/bed should not be occupied while the vehicle is moving unless it is in the upright, fully-latched position.**



**Seat/bed conversion**

## Using the Power Seats (If equipped)

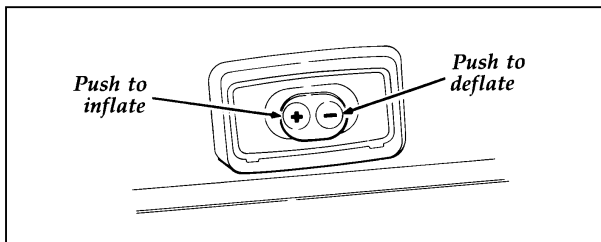
If your vehicle has the power seat option, you can adjust it in several directions. The controls are on the outboard side of the seat.



The power controls on the driver's seat

## Using the Power Lumbar Support and Side Bolsters

If your vehicle is equipped with this option, you can inflate a lumbar support pad in the seat back. To inflate the lumbar pad, push the (+) side of the rocker switch. To deflate push the (-) side of the switch.



Power lumbar switch

## Cleaning the Seats

### *Leather and vinyl*

For routine cleaning, wipe the surface with a soft, damp cloth. For more thorough cleaning, wipe the surface with a leather and vinyl cleaner or a mild soap.

Wipe the surface with a damp, soft cloth, then dry and buff with a dry, soft cloth.

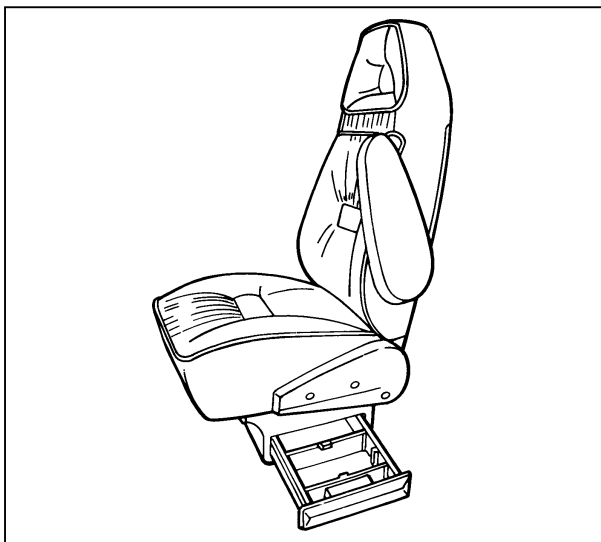
### *Fabric*

Remove dust and loose dirt with a whisk broom or a vacuum cleaner. Remove fresh spots immediately. Follow the directions that come with the cleaner.

**NOTE:** Before using any cleaner, test it on a small, hidden area of fabric. If the fabric's color or texture is adversely affected by a particular cleaner, do not use it.

## **Underseat storage drawer (If equipped)**

If your Econoline is equipped with the optional front passenger seat drawer, it can be opened by moving the latch lever upward and pulling the drawer toward the center of the vehicle. The drawer can be removed by pulling it to the full open position and lifting the tab on the top surface, inside the drawer. The drawer is not lockable.



**Underseat storage drawer — RH front passenger seat only**

## Mirrors

With the door closed and the seat adjusted for comfort and proper vehicle control, move the mirrors for best view by tilting up or down, left or right. Do not adjust the mirrors while the vehicle is in motion.

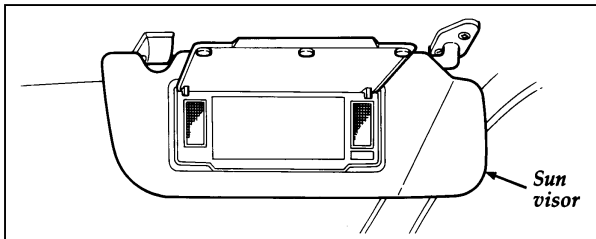
**NOTE: Models equipped without rear door windows are not equipped with a rearview mirror.**

### WARNING

**Make sure you can see clearly through the rearview mirror at all times. Do not allow anything to block your vision. If you can't see through the mirror, you could be involved in an accident and injure yourself or others.**

### Illuminated Vanity Mirror (If equipped)

Your vehicle may feature illuminated vanity mirrors on the sun visors. You can turn on the lighted mirror by lifting the mirror door cover.



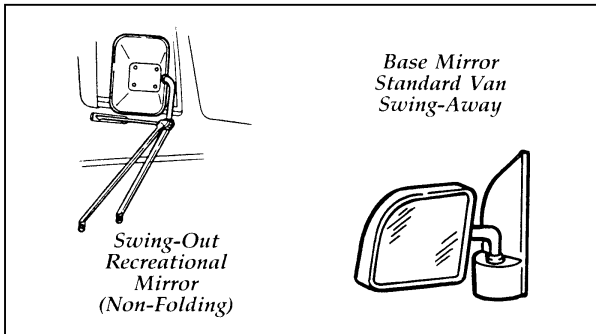
Visor vanity mirror



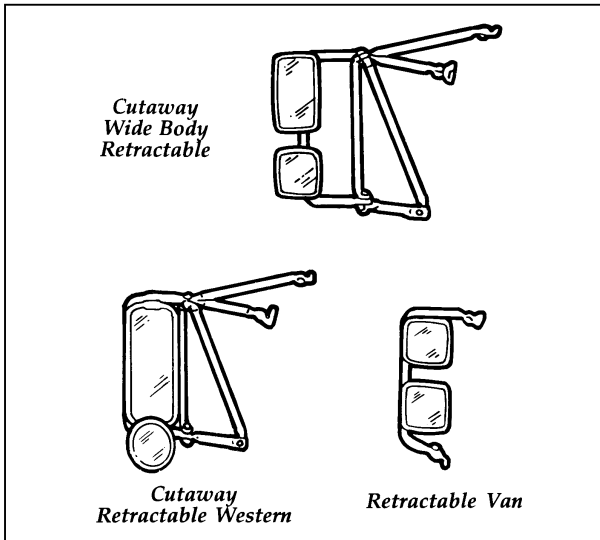
## Outside Mirrors (Manual Control)

Adjust outside mirrors with the door closed and the seat adjusted for comfort and proper vehicle control. Move the mirrors for best view by tilting up or down, left or right.

On vehicles equipped with fold-away mirrors, the mirrors should be folded rearward into the body position before entering automatic car wash systems.



Outside mirrors — manual control



**Outside mirrors — manual control**

On vehicles equipped with “non” folding (swing-out recreational) mirrors, automatic car wash systems are not recommended. Use special truck wash facilities for vehicles with this type of mirror.

For the Econoline van without rear door windows and all Econolines equipped with the swing-out recreational mirrors, the right-hand side mirror is a flat glass mirror. All other right-hand side/view mirrors used on the Econoline are convex. Convex mirrors have a curved surface and will show a wider view of the lane next to and behind your vehicle.

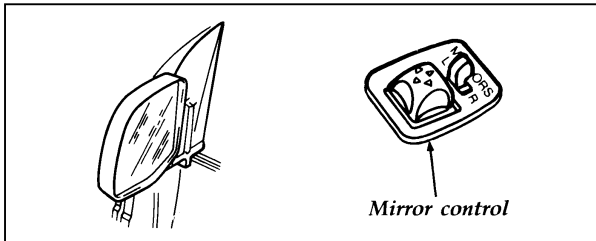
**⚠ WARNING**

**The side view mirror on the right makes objects appear smaller and farther away than they actually are.**

## Dual Electric Remote Control Mirrors (If equipped)

To adjust the remote controlled side mirrors:

1. Find the control switch in the driver's door panel.
2. Select the right or left mirror by moving the selector switch to R or L.
3. Move the control knob in the direction you want to move the mirror.
4. Return the selector switch to the middle position to keep the mirror in place.

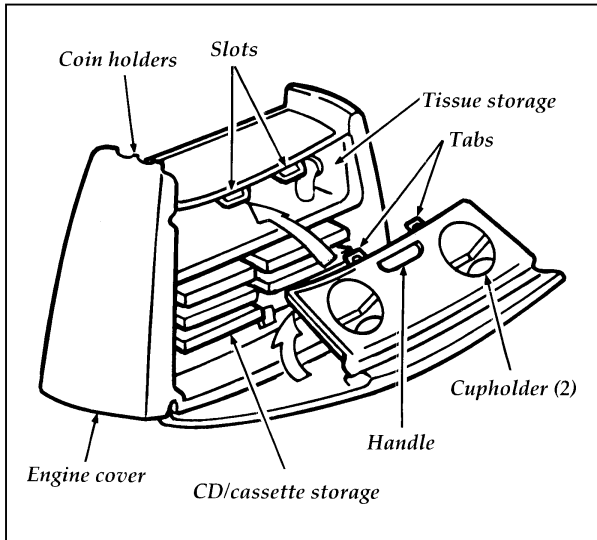


### **Power mirror control**

Do not clean the plastic housing of any electric mirror with gasoline or other petroleum-based cleaning products.

## Console

Your vehicle may have a full console. The full console has the features shown in the illustration below.



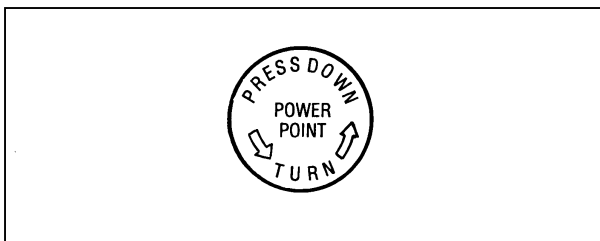
### The features on the console

1. To install the table, locate the tabs into the slots on the engine cover and push.
2. To store table, lift at handle.

## Power Point Electrical Outlet

The power point outlet is located in the left hand (driver's side) quarter panel, next to the rear ashtray. This outlet should be used in place of the cigarette lighter for optional electrical accessories.

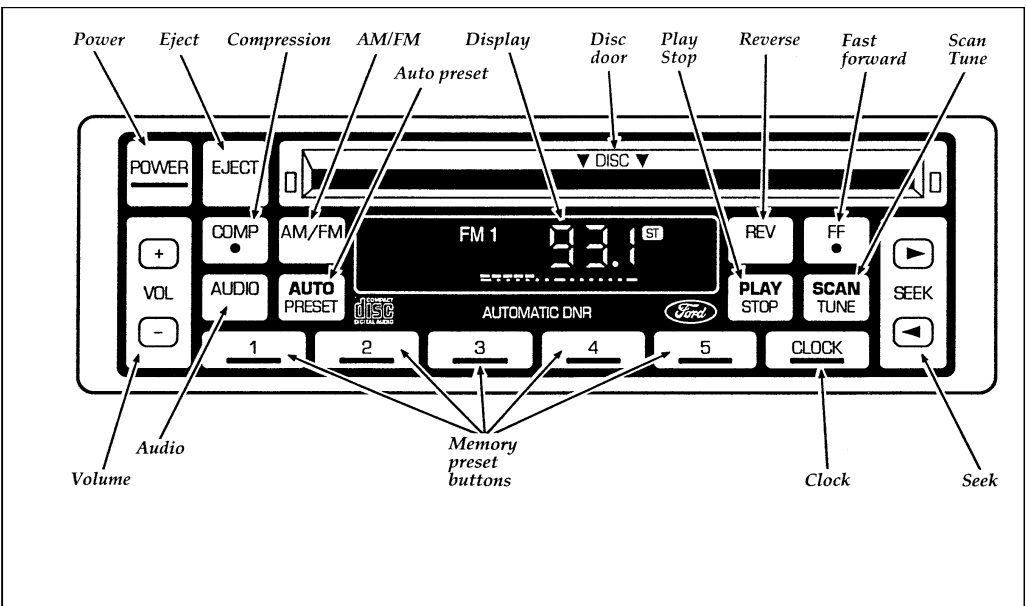
**NOTE: Do not use the cigarette lighter in place of the power point.**



**Power point electrical outlet**

To access the outlet, press down while rotating the cover counterclockwise.

# Electronic Sound Systems



Compact Disc Radio

## Compact Disc Radio

The Compact Disc Radio combines the Electronic Stereo Radio with the Ford Compact Disc Player.

### Using the Controls on Your New Radio/CD Player

Most of the features of this unit work for both radio and CD operation. Also, some of the knobs and buttons control several different functions, so be sure to read all of the operating instructions carefully.

#### ***How to turn the radio on and off***

Press the “POWER” button to turn the radio on. Press it again to turn it off.

#### ***How to adjust the volume***

Press the +/– side of the “VOL” button to increase/decrease the volume. Bars illuminate in the display to show the relative volume level.

**NOTE:** If the volume level is set above a certain listening level when the ignition switch is turned off, when the ignition switch is turned back on, the volume will come back to a “nominal” listening level. However, if the radio power is turned off (with the “POWER” button), the volume will remain in the position it was set at when radio power is switched back on.

#### ***Selecting the AM or FM frequency band***

Push the “AM/FM” button to select the desired frequency band. When in the radio mode, pushing the button more than once will alternate between AM, FM1 and FM2. These functions are used with the station memory buttons described under *How to tune radio stations*.

### ***How to tune radio stations***

There are four ways for you to tune in a particular station. You can manually locate the station using the “SCAN/TUNE” button, “SEEK” the station, “SCAN” to the station or select the station by using the memory buttons, which you can set to any desired frequency. These four methods are described below.

- Using the “SCAN/TUNE” button to manually tune

You can change the frequency up or down one increment at a time (FM changes in increments of 200kHz; AM changes in increments of 10kHz) by first pressing the “SCAN/TUNE” button twice (display shows “TUNE”), then — **within approximately five seconds** — pressing and releasing either the top ► or bottom ◀ half of the “SEEK” button. To change frequencies quickly, press and **hold down** either the top or bottom half of the “SEEK” button. While you are manually tuning, the display will show a blinking “M”.

Manual tuning adjusts your radio to any allowable broadcast frequency, whether or not a station is present on that frequency. (See *All About Radio Frequencies* in this section.)



#### Using the “SEEK” function

This feature on your radio allows you to automatically select listenable stations up or down the frequency band. Press the top ► half of the “SEEK” button to select the next listenable station up the frequency band. Press the bottom ◀ half of the button to select the next listenable station down the frequency band. By pressing and holding the button, listenable stations can be passed over to reach the desired station.

#### Using the “SCAN/TUNE” button to scan radio stations

Pressing the “SCAN/TUNE” button once enters the scan mode (display will indicate “SCN”). Pushing the top ► half of the “SEEK” button will begin the scan mode up the frequency band, stopping on each listenable station for approximately five seconds. Pushing the bottom ◀ half of the “SEEK” button will begin the scan mode down the frequency band, again stopping on each listenable station for approximately five seconds.

To stop the scan mode on the presently sampled station press the “SCAN/TUNE” button again.

#### Setting the Station Memory Preset buttons

Your radio is equipped with 5 station memory buttons. These buttons can be used to select up to 5 preset AM stations and 10 FM stations (5 in FM1 and 5 in FM2). Follow the easy steps below to set these buttons to the desired frequencies.

1. Select a band, then select a frequency.
2. Press one of the memory preset buttons and hold the button until the sound returns. That station is now held in memory on that button.
3. Follow the two steps above for each station memory preset button you want to set.

**NOTE: If the vehicle's battery is disconnected, the clock and station memory preset buttons (if programmed in auto mode) will need to be reset.**

Using the Automatic Memory Load feature

You can activate the **Auto Memory Load** feature by pressing and holding the "AUTO PRESET" button **for approximately three seconds**. Auto Memory Load sets all memory buttons in AM, FM1 and FM2 sequentially by seeking out the first five strong stations for the respective band and storing them in memory buttons 1-5. (FM2 will store the second set of strong stations from the FM band.)

With Auto Memory Store, you can continually set strong stations into your memory buttons without losing your existing memory presets, which is especially handy while traveling. Your radio will automatically set your memory buttons to the strong local stations so you don't have to continually manually tune to existing stations.

Activate Auto Memory Store by pushing the “AUTO PRESET” button once. Your radio will set the first five strong stations of the band you are in (AM, FM1 or FM2) into the memory buttons. The display will show “AUTO”, then run through the frequencies, stopping momentarily on the stations being set into the memory buttons. The radio is now in the “AUTO” mode and this display will show “AUTO” each time a preset is activated.

**NOTE: If there are fewer than five strong stations in the frequency band, the remaining unfilled buttons will store the last strong station detected on the band.**

After all stations have been filled, the radio will begin playing the station stored on memory button 1.

To deactivate the Auto Memory Store mode and return to the manually-set memory button stations (or those stations set using Auto Memory Load), simply push the “AUTO PRESET” button. Display will show “AUTO” then “OFF”. The next time Auto Memory Store is activated on that band, the radio will store the next set of five strong stations.

### ***Using the “AUDIO” button to adjust the tone balance and speaker output***

- Increasing or decreasing bass response

Push the “AUDIO” button repeatedly until the display reads “BASS.” Push the “+” side of the “VOL” button to increase bass (more “lows”), and push the “-” side to decrease bass (less “lows”).

Increasing or decreasing treble response

Push the “AUDIO” button repeatedly until the display reads “TREB.” Push the “+” side of the “VOL” button to increase treble (more “highs”), and push the “-” side to decrease treble (less “highs”).

Adjusting speaker balance

Balance control allows you to adjust the sound distribution between the right and left speakers. Push the “AUDIO” button repeatedly until the display reads “BAL.” Push the “+” side of the “VOL” button to shift the sound to the right speakers, and push the “-” side to shift the sound to the left speakers.

Adjusting speaker fader

Fade control allows you to adjust the sound distribution between the front and rear speakers. Push the “AUDIO” button repeatedly until the display reads “FADE.” Push the “+” side of the “VOL” button to shift the sound to the front speakers, and push the “-” side to shift the sound to the rear speakers.

**NOTE: Illuminated bars in the display show relative levels of bass and treble and positions of speaker balance and fader functions after adjustments are made, then revert to volume level set.**

### ***Clock operation***

When in the radio mode, push the “CLOCK” button to switch from radio frequency to clock. Only the clock numerals will be displayed in the clock mode — there is no A.M./P.M. indication. When in the clock mode, the time will be displayed until the button is pushed again. However, if you retune the radio while it is in the clock mode, the new radio frequency will be displayed for approximately ten seconds and then change back to clock.

When in the CD mode, push the “CLOCK” button to change the display from elapsed time mode to track number mode to clock mode. If the CD track selection is changed when you are in the clock or elapsed time mode, the new track number will be displayed for approximately ten seconds and then revert back to the previous mode.

The clock can also be viewed with the ignition off. Push the “CLOCK” button and the time will be displayed momentarily.

To set the clock, simultaneously press the “CLOCK” button and either the bottom (◀) half of the “SEEK” button to set hours, or the top (▶) half of the “SEEK” button to set minutes.

### **Using the Controls on Your New Compact Disc Player**

Your new Ford Compact Disc Player is capable of playing 12 cm *or* 8 cm discs, without an adapter! The Player operates when the power is on and a disc is inserted (**label side up**). Handle the disc by its edge only. (Be sure to read and follow all of the care and cleaning instructions under *How To Take Care of and Clean Your CD Player and Discs*.)

**NOTE: If after you insert a disc, the disc is ejected and “ERROR” begins scrolling in the display, remove the disc and reinsert it right side up (label side up).**

The digital display on your CD player will either show the track (selection) number or the elapsed time. (The display mode can be selected by pressing the “CLOCK” button.) Indicators for play (▶), stop (■) and compression (“C”) are also in the display. (These features are described later.)

Once a disc is inserted, operation of the CD player will override that of the radio.

**NOTE: The volume, bass, treble, balance and fader controls on the radio are also used with the CD player. Refer to earlier operating instructions on these controls.**

### ***How to insert a disc and begin play***

Insert one disc, **label side up** into the disc opening. When inserted, the disc automatically loads into the unit and play starts at the beginning of the first track (selection).

When the disc reaches the end, the disc player automatically returns to the beginning of the disc and resumes playing.

**NOTE: Once a disc is inserted, the disc opening is secured to prevent the accidental insertion of a second disc.**

**NOTE:** The CD player has heat protection circuitry to protect the laser diode. If the temperature of the player reaches 167°F (75°C), the heat detection circuit will shut off the player and “TOO HOT” will scroll in the display for approximately five seconds (radio will resume playing). When the temperature returns to normal operating range, the CD player will again be operational.

### ***How to stop and restart the CD player***

When a disc is loaded, the unit automatically enters the play mode and the play indicator ► illuminates. To stop temporarily, press the “PLAY/STOP” button or the “AM/FM” button. The stop indicator ■ in the display illuminates and operation returns to the radio mode. To resume CD play, press the “PLAY/STOP” button once again.

**NOTE:** If the ignition key is turned OFF during play and then is set to the ON or ACCESSORY position, the CD player will resume playing in the mode it was in when ignition was turned off.

### ***Using the “SEEK” feature***

The “SEEK” feature allows you to quickly find a particular selection on the disc.

Press the bottom (◀) half of the “SEEK” button once to repeat the current playing selection. Press the top (▶) half of the “SEEK” button to advance to the next selection.

Pressing and holding the bottom (◀) or top (▶) half of the “SEEK” button will scroll backward and forward respectively through the tracks.

### ***How to fast forward or reverse your CD player***

To quickly search for a particular point in a selection, press the “FF” button (to fast forward) or the “REV” button (to reverse). While either button is pressed, the disc goes forward or backward at two different speeds depending on how long the button is held down. (Pressing either button for more than three seconds will speed up the process.) Release the button at the desired point (found by watching the elapsed playing time in the display or by listening to the sound during fast forward or reverse). When you have reached the beginning of track 1, the CD player will begin playing.

When you have reached the end of the disc by keeping the fast forward button pressed, the display will show “END” and the player will go into pause mode. Push the “PLAY/STOP” button to begin playing the first track of the disc, press the “REV” button to back up from the end of the disc, or use the “SEEK” function to locate a desired track.

### ***Using the “SCAN” function***

Press the “SCAN/TUNE” button to enter the scan mode. Once in the scan mode, press the top (▶) or bottom (◀) half of the “SEEK” button to scan forward or reverse, respectively. The CD player will begin scanning the disc, stopping on each listenable track for approximately eight seconds. This continues until you press the “SCAN/TUNE” button a second time. While in the scan mode, the display shows the current sampled track number.



### ***Special features of your CD player***

#### Compression

The compression feature will bring soft and loud passages closer together for a more consistent listening level.

To turn the compression on, press the “COMP” button. When on, the compression indicator (“C”) will appear in the display. Press the button again to turn off.

#### Automatic Disc Storage

If the disc is ejected from the CD player but is not removed from the disc opening within approximately 10 seconds, the player will automatically reload the disc for storage, unless the disc is automatically ejected due to a “focus error” (disc inserted upside down). In this case, the disc will not be automatically reloaded.

### ***How to eject the disc***

Push the “EJECT” button to stop play, eject the disc and resume radio operation of your audio system.

**NOTE:** You can eject the disc while the radio power and/or ignition is on or off.

## How To Take Care of and Clean Your CD Player and Discs

To ensure the continued performance of your Ford Compact Disc Player, carefully read the following precautions:

- Always handle the disc by its edge. Never touch the playing surface.
- Before playing, inspect the disc for any contamination. If needed, clean the disc with an approved disc cleaner, such as the Discwasher® Compact Disc Cleaner or the Allsop 3® Compact Disc Cleaner, by wiping from the center out to the edges. **Do not use a circular motion to clean.**
- Do not clean discs with solvents such as benzine, thinner, commercially available cleaners or antistatic spray intended for analog records.
- Do not expose the disc to direct sunlight or heat sources such as defroster and floor heating ducts. Do not leave any discs in a parked car in direct sunlight where there may be a considerable rise in temperature or damage may result.
- After playing, store the disc in its case.
- If a disc has already been inserted, do not try to insert another disc. Doing so may damage the disc player.
- Do not insert anything other than a disc into the disc player.

**CAUTION:** The use of optical instruments with this product will increase eye hazard as the laser beam used in this compact disc player is harmful to the eyes. Do not attempt to disassemble the case. Refer servicing to qualified personnel only.

### **Common Operating Conditions of Your CD Player**

The following information is designed to help you recognize typical situations that could be mistakenly interpreted as mechanical malfunctions of the disc player.

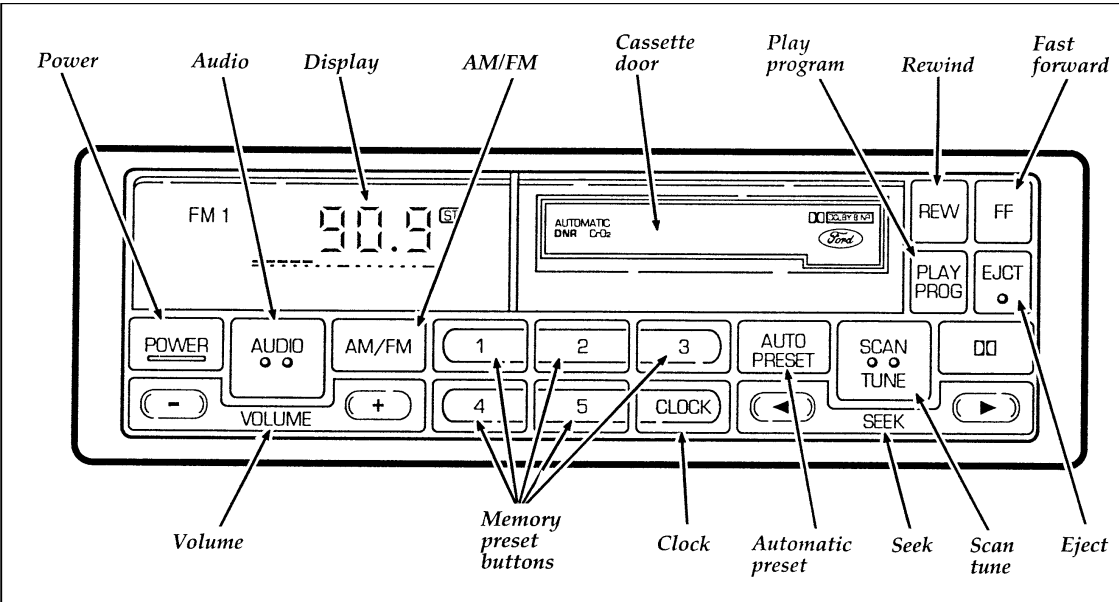
- A disc is already loaded.
- The disc is inserted with the label surface downward.
- The disc is dusty or defective.
- The player's internal temperature is above 140°F (60°C). Allow the player to cool off before operating.
- Different manufacturers of compact discs may produce discs with different dimensions or tolerances, some of which may not be within industry standards or in accordance with the CD format. Because of this, a new disc that is free of dust and scratches could be defective and may not play on your Ford Compact Disc Player.

If play does not begin after the CD button is pushed:

- The radio is not on.
- The unit is in the stop mode.
- Moisture may have condensed on the lenses within the unit. If this occurs, remove the disc and wait approximately an hour until the moisture evaporates.

If the sound skips:

- Badly scratched discs or extremely rough roads will cause the sound to skip. Skipping will not damage the disc player or scratch the discs.



## **Using the Controls on Your New Radio**

### ***How to turn the radio on and off***

Press the “POWER” button to turn the radio on. Press it again to turn it off.

### ***How to adjust the volume***

Press the +/– side of the “VOL” button to increase/decrease the volume. Bars illuminate in the display to show the relative volume level.

**NOTE:** If the volume level is set above a certain listening level when the ignition switch is turned off, when the ignition switch is turned back on, the volume will come back to a “nominal” listening level. However, if the radio power is turned off (with the “POWER” button), the volume will remain in the position it was set at when radio power is switched back on.

### ***Selecting the AM or FM frequency band***

Push the “AM/FM” button to select the desired frequency band. When in the radio mode, pushing the button more than once will alternate between AM, FM1 and FM2. These functions are used with the station memory buttons described under *How to Tune Radio Stations*.

### ***How to tune radio stations***

There are four ways for you to tune in a particular station. You can manually locate the station using the “SCAN/TUNE” button, “SEEK” the station, “SCAN” to the station or select the station by using the memory buttons, which you can set to any desired frequency. These four methods are described below.

#### □ Using the “TUNE” function

You can change the frequency up or down one increment at a time (FM changes in increments of 200 kHz; AM changes in increments of 10 kHz) by first pressing the “SCAN/TUNE” button twice (display shows “TUNE”), then — **within approximately five seconds** — pressing and releasing either the right (▶) or left (◀) side of the “SEEK” button. To change frequencies quickly, press and **hold down** either the right or left side of the “SEEK” button.

Manual tuning adjusts your radio to any allowable broadcast frequency, whether or not a station is present on that frequency. (See *All About Radio Frequencies* in this section.)

#### □ Using the “SEEK” function

This feature on your radio allows you to automatically select listenable stations up or down the frequency band. Press the right ▶ side of the “SEEK” button to select the next listenable station up the frequency band. Press the left ◀ side of the button to select the next listenable station down the frequency band. By holding the button down, listenable stations can be passed over to reach the desired station.

#### Using the “SCAN” function

Pressing the “SCAN/TUNE” button once enters the scan mode (display will indicate “SCN”). Pushing the right (▶) side of the “SEEK” button will begin the scan mode up the frequency band, stopping on each listenable station for approximately a five-second sampling. Pushing the left (◀) side of the “SEEK” button will begin the scan mode down the frequency band, again stopping on each listenable station for approximately a five-second sampling.

To stop the scan mode on the presently sampled station press the “SCAN/TUNE” button again.

#### Setting the Station Memory Preset buttons

Your radio is equipped with 5 station memory buttons. These buttons can be used to select up to 5 preset AM stations and 10 preset FM stations (5 in FM1 and 5 in FM2).

Follow the easy steps below to set these buttons to the desired frequencies:

1. Select a band, then select a frequency.
2. Press one of the memory preset buttons and hold the button until the sound returns. That station is now held in memory on that button.
3. Follow the two steps above for each station memory preset button you want to set.

**NOTE: If the vehicle’s battery is disconnected, the clock and station memory preset buttons (if programmed in auto mode) will need to be reset.**



## □ Using the Automatic Memory Load feature

You can activate the **Auto Memory Load** feature by pressing and holding the “AUTO PRESET” button for **approximately three seconds**. Auto Memory Load sets all memory buttons in AM, FM1 and FM2 sequentially by seeking out the first five strong stations for the respective band and storing them in memory buttons 1-5. (FM2 will store the second set of strong stations from the FM band.)

With Auto Memory Store, you can continually set strong stations into your memory buttons without losing your existing memory presets, which is especially handy while traveling. Your radio will automatically set your memory buttons to the strong local stations so you don't have to continually manually tune to existing stations.

Activate Auto Memory Store by pushing the “AUTO PRESET” button once. Your radio will set the first five strong stations of the band you are in (AM, FM1 or FM2) into the memory buttons. The display will show “AUTO”, then run through the frequencies, stopping momentarily on the stations being set into the memory buttons. The radio is now in the “AUTO” mode and this display will show “AUTO” each time a preset is activated.

**NOTE: If there are fewer than five strong stations in the frequency band, the remaining unfilled buttons will store the last strong station detected on the band.**

After all stations have been filled, the radio will begin playing the station stored on memory button 1.

To deactivate the Auto Memory Store mode and return to the manually-set memory button stations (or those stations set using Auto Memory Load), simply push the “AUTO PRESET” button. Display will show “AUTO” then “OFF”. The next time Auto Memory Store is activated on that band, the radio will store the next set of five strong stations.

### ***Adjusting the tone balance and speaker output of your radio***

#### Increasing or decreasing bass response

Push the “AUDIO” button repeatedly until the display reads “BASS.” Push the “+” side of the “VOL” button to increase bass (more “lows”), and push the “-” side to decrease bass (less “lows”).

#### Increasing or decreasing treble response

Push the “AUDIO” button repeatedly until the display reads “TREB.” Push the “+” side of the “VOL” button to increase treble (more “highs”), and push the “-” side to decrease treble (less “highs”).

#### Adjusting speaker balance

Balance control allows you to adjust the sound distribution between the right and left speakers. Push the “AUDIO” button repeatedly until the display reads “BAL.” Push the “+” side of the “VOL” button to shift the sound to the right speakers, and push the “-” side to shift the sound to the left speakers.

## □ Adjusting speaker fader

Fade control allows you to adjust the sound distribution between the front and rear speakers. Push the "AUDIO" button repeatedly until the display reads "FADE." Push the "+" side of the "VOL" button to shift the sound to the front speakers, and push the "-" side to shift the sound to the rear speakers.

**NOTE: Illuminated bars in the display show relative levels of bass and treble and positions of speaker balance and fader functions after adjustments are made, then revert to volume level set.**

## Using the Controls of Your Cassette Tape Player

### *How to insert a tape*

Your cassette tape player is equipped with power loading. Once you insert a tape and push slightly (with the **open edge to the right**), the loading mechanism draws the tape the rest of the way in and play will begin after a momentary tape tightening process. Display indicates "M" (for metal/CrO<sub>2</sub>) while tape is playing.

**NOTE: A cassette tape can be loaded with the ignition on whether or not the radio power is one.**

### *How to locate a desired track on the tape*

There are four ways to quickly locate a desired selection on the tape. You can use the fast forward, rewind, "SEEK" or "SCAN" function. Following are brief descriptions of each.

Fast forwarding the tape

To fast forward the tape, press the “FF” button. The radio will automatically begin playing until fast forward is manually stopped. At the end of the tape, the direction automatically reverses and plays the other side of the tape.

Rewinding the tape


To rewind the tape, press the “REW” button.

The radio will automatically begin playing until rewind is manually stopped or the beginning of the tape is reached.

Using the “SEEK” function with your cassette tape player

While in the tape mode, push the right (▶) side of the “SEEK” button to seek forward to the next selection on the tape. Push the left (◀) side to seek the previous tape selection.

**NOTE: If you want to restart a currently playing tape selection, press the left (◀) side of the “SEEK” button after approximately three seconds into the current selection.**

Whirling sprockets in the display () indicate the direction of tape travel.

Using the “SCAN” function with your cassette tape player

Press the “SCAN/TUNE” button to enter the scan mode (display indicates “SCN”). Pushing the right (▶) side of the “SEEK” button will begin the forward scan mode on the tape currently playing, stopping on each tape selection for approximately an eight-second sampling.

Pushing the left (◀) side of the “SEEK” button will begin the reverse scan mode, stopping on each previous tape selection for approximately an eight-second sampling. While scanning, the display indicates whirling sprockets plus an “S” (◻ S).

To stop the scan mode on the presently sampled tape selection press the “SCAN/TUNE” button again.

- How to change the side of the tape being played

The alternate track of the tape can be selected anytime by pressing the “PLAY/PROG” button.

### ***How to eject the tape***



To stop the tape and eject the cassette, press the “EJECT” button. The radio will resume playing if the radio power is on. The tape cartridge can be ejected with radio power (and/or ignition) on or off.

### ***How to store the tape***

Press the “AM/FM” button to stop the tape player and resume radio play. The cassette will be stored in the tape player and the ◼ symbol in the display will be lit until you push the “PLAY PROG” button to resume tape play. Fast forward and fast rewind can be used while the tape is in storage mode without interrupting radio play.

### ***Using the Dolby® B noise reduction feature***

**NOTE:** Noise reduction system manufactured under license from Dolby Labs Licensing Corporation. “Dolby” and double-D symbol are trademarks of Dolby Laboratories Licensing Corporation.

Push the  button to activate. When on, the  symbol above the button will be lit.

### **Clock Operation**

#### ***How to view the clock mode***

Press the “CLOCK” button to alternate the frequency and time in the display. In the clock mode, pressing any radio function will automatically display the radio frequency for approximately ten seconds before changing back to the clock mode.

#### ***How to set the clock***

1. Turn the radio on.
2. Press and hold in the “CLOCK” button, press the “SEEK” button left (◀) to advance the hours and right (▶) to advance the minutes.

**NOTE:** The clock displays 12-hour time with no AM/PM indications.

**NOTE:** On the High-Level Audio System, the clock can be set with the radio power on or off

### ***Tape error messages***

Your cassette tape player is equipped to diagnose certain problems you may experience. Error codes are as follows:

*Error 0* — Communication error between the radio controller and the tape controller. The cassette player will eject the tape. Insert the tape again. If the same error code appears, turn the ignition off, then back on again and insert the tape.

*Error 1* — Possible problem cartridge. The cassette tape player will eject the tape. Insert the tape again. If the same error code appears in the display, try a different cartridge.

*Error 2* — Tape eject or load failure. Your cassette tape player will go into the pause mode. Push "EJCT" to eject the tape. If the tape doesn't eject, refer the problem to qualified personnel for service.

### **Tips on Caring for the Cassette Player and Tapes**

In order to keep your cassette tape player performing the way it was meant to, read and follow these simple precautions:

- Using a Ford Cassette Cleaning Cartridge to clean the tape player head after 10-12 hours of play will help maintain the best playback sound and proper tape operation.
- Only cassettes that are 90 minutes long or less should be used. Tapes longer than 90 minutes are thinner and subject to breakage or may jam the tape player mechanism.

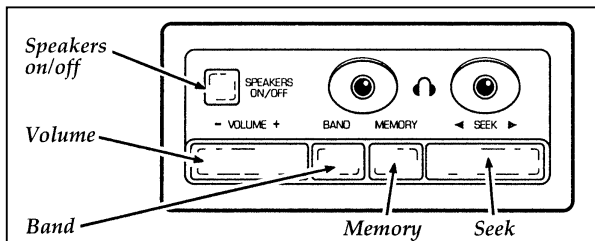
- ❑ Protect cassettes from exposure to direct sunlight, high humidity and extreme heat or cold. If they are exposed to extreme conditions, allow them to reach a moderate temperature before playing.
- ❑ If a tape is loose inside the cassette, tighten it before playing by putting your finger or a pencil into one of the holes and turning the hub until the tape is tight.
- ❑ Loose labels on cassette tapes can become lodged in the mechanism. Remove any loose label material before inserting cassette.
- ❑ Do not leave a tape in the cassette tape player. High heat in the vehicle can cause the cassette to warp.

## Rear Seat Radio Controls

### Using the Rear Seat Radio Controls

Rear seat radio controls are available on Econoline models equipped with Compact Disc Radios or High-Level Audio Systems only.

The rear seat radio controls are located behind the driver on the left hand side of the vehicle. These controls duplicate several radio functions of the radio and allow the use of headphones in the vehicle.



Rear Seat Radio Controls



### ***How to turn the rear seat radio controls on and off***

Press memory preset buttons “1” and “3” simultaneously on the face of your radio to turn the rear seat radio controls on. A headphones symbol (🎧) will appear in the display when the rear seat controls are on. Press “1” and “3” simultaneously again to turn rear seat radio controls off.

### ***How to adjust the volume***

Press the right (+) side of the “VOLUME” rocker switch to increase volume, and push the left (-) side to decrease the volume of the rear speakers.

**NOTE: Rear seat control volume can be set no higher than current radio setting unless speakers are turned off. See note under How to turn speakers on and off.**

### ***Setting the AM or FM frequency band***

Push the “BAND” button to change the frequency band.

### ***Using the “MEMORY” button***

Push the “MEMORY” button to access the station you have set into memory button 1 on the face of the radio. Successively pushing this button will access, numerically, all stations set into the Station Memory Preset buttons (1 through 5).

### ***How to turn the speakers on and off***

When the rear seat controls are on, push the “SPKRS ON-OFF” button to turn all speakers off. Push again to turn all speakers on.

**NOTE:** Turning the ignition off, then on again will not turn the speakers back on, if previously turned off by the “SPKRS ON-OFF” button on the rear seat controls.

### ***Using the “SEEK” function***

Press the right (▶) side of the “SEEK” rocker switch to seek to the next radio station. Press the left (◀) side of the “SEEK” rocker switch to seek to the previous radio station.

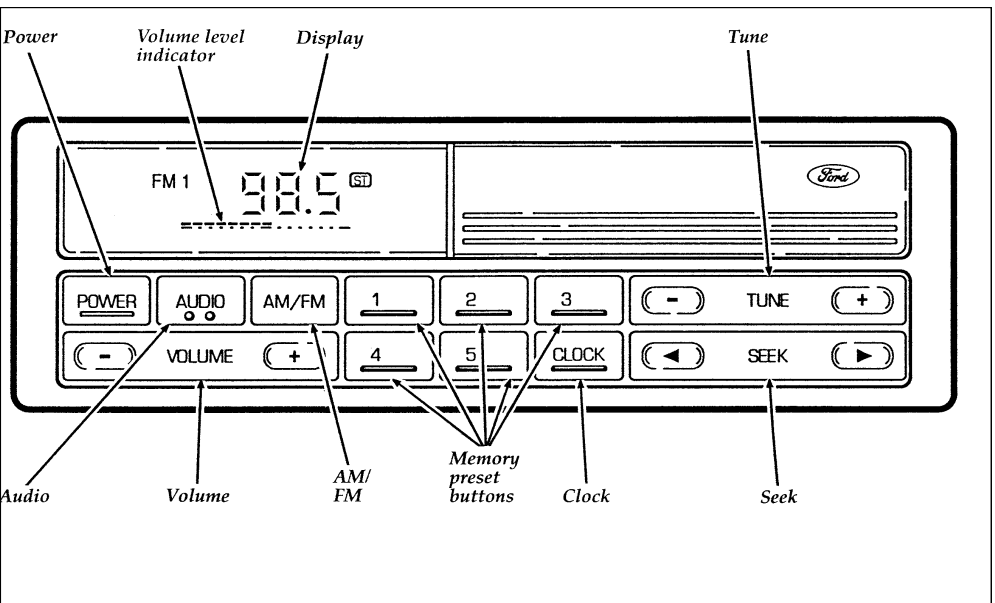
**NOTE:** When using the rear seat controls with a High-Level Audio System, the “SEEK” function on the rear seat controls will also function with cassettes, seeking the next (“SEEK ▶”) or previous (“◀ SEEK”) selection on the tape.

### ***Using headphones with the rear seat controls***

Two 3.5mm headphone jacks have been provided on the rear seat controls. Plug headphone(s) into the provided jack(s) to operate headphones.

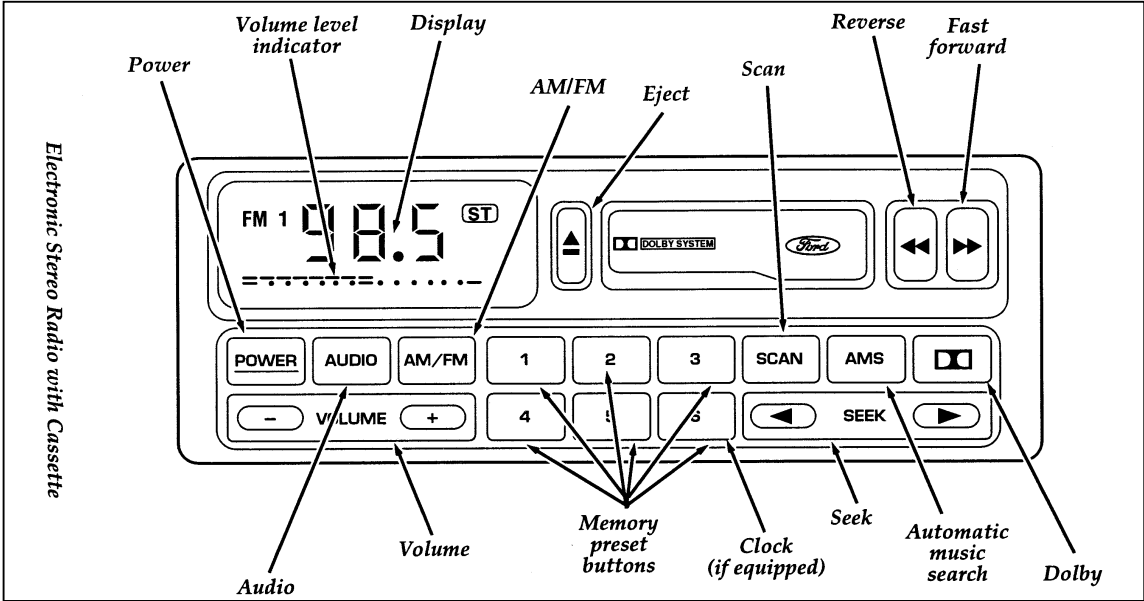
# Electronic Stereo and Stereo Cassette Radios

Using the Controls on Your New Radio



Electronic Stereo Radio

Electronic Stereo Radio with Cassette



Electronic Stereo Radio with Cassette

### ***How to tune radio stations (Stereo Radio)***

There are three ways for you to tune in to a particular station. You can manually locate the station by using the “TUNE” button, “SEEK” the station or select the station by using the memory preset buttons, which you can set to any desired frequency.

### ***How to tune radio stations (Stereo Cassette Radio)***

There are four ways for you to tune in to a particular station. You can manually locate the station by using Automatic Music Search (“AMS”), “SEEK” the station, “SCAN” to the station or select the station by using the memory buttons, which you can set to any desired frequency.

#### Using the “TUNE” function

You can change the frequency up or down one increment at a time by pressing and releasing either the right (+) or left (-) side of the “TUNE” button. To change frequencies quickly, press and hold down either the right or left side of the “TUNE” button.

Manual tuning adjusts your radio to any allowable broadcast frequency, whether or not a station is present on that frequency. (See *All About Radio Frequencies* in this section.)

- Using the “AMS” function to manually tune your radio (Stereo Cassette Radio)

You can change the frequency up or down one increment at a time by first pressing the “AMS” button (display shows “TUNE”) then within approximately five seconds pressing and releasing either the right ► or left ◀ side of the “SEEK” button. To change frequencies quickly, press and **hold down** either the right or left side of the “SEEK” button.

- Using the “SEEK” function

This feature on your radio allows you to automatically select listenable stations up or down the frequency band. Press the right ► side of the “SEEK” button to select the next listenable station up the frequency band. Press the left ◀ side of the button to select the next listenable station down the frequency band. By holding the button down, listenable stations can be passed over to reach the desired station.

- Using the “SCAN” function (Stereo Cassette Radio)

Press the “SCAN” button to enter the scan mode. The radio will begin scanning up the frequency band, stopping on each listenable station for approximately a five-second sampling. This continues until you press the “SCAN” button a second time.

- Setting the Station Memory Preset buttons

Your radio is equipped with 5 station memory buttons. These buttons can be used to select up to 5 preset AM stations and 10 preset FM stations (5 in FM1 and 5 in FM2).

Follow the easy steps below to set these buttons to the desired frequencies:

1. Select a band, then select a frequency.
2. Press one of the memory preset buttons and hold the button until the sound returns. That station is now held in memory on that button.
3. Follow the two steps above for each station memory preset button you want to set.

**NOTE: If the vehicle's battery is disconnected, the clock and station memory preset buttons (if programmed in auto mode) will need to be reset.**

### ***Adjusting the tone balance and speaker output of your radio***

Push the "AUDIO" button repeatedly until the display reads "BASS." Push the right (+) side of the "VOLUME" button to increase bass (more "lows"), and push the left (-) side to decrease bass (less "lows").

#### Increasing or decreasing treble response

Push the "AUDIO" button repeatedly until the display reads "TREB." Push the right (+) side of the "VOLUME" button to increase the treble (more "highs"), and push the left (-) side to decrease treble (less "highs").

## ***Speaker features and operation***

### Adjusting speaker balance

Balance control allows you to adjust the sound distribution between the right and left speakers. Push the “AUDIO” button repeatedly until the display reads “BAL.” Push the right (+) side of the “VOLUME” button to shift the sound to the right speakers, and push the left (-) side to shift the sound to the left speakers.

### Adjusting speaker fader

Fade control allows you to adjust the sound distribution between the front and rear speakers. Push the “AUDIO” button repeatedly until the display reads “FADE.” Push the right (+) side of the “VOLUME” button to shift the sound to the front speakers, and push the left (-) side to shift the sound to the rear speakers.

**NOTE: Illuminated bars show relative levels of bass and treble and positions of speaker balance and fader functions after adjustments are made, then revert to volume level set.**



## **Using the Controls of Your Cassette Tape Player**

### ***How to insert a tape***

Insert a cassette (with the open edge to the right) firmly into the tape door opening, making sure the cassette is completely in and “seated.”

**NOTE: A cassette tape can be loaded with the ignition on whether or not the radio power is on.**

### ***How to locate a desired track on the tape***

#### Using the Automatic Music Search (“AMS”)

Press and hold the “AMS” button (“AMS” will appear in the display). Then, push the left ◀◀ button to rewind to the beginning of the current selection or press the right ▶▶ button to fast forward to the beginning of the next selection.


#### How to change the side of the tape being played

The alternate track (other side) of the tape can be selected at any time by pushing both fast-wind buttons (◀◀ and ▶▶) at the same time. The number in the display will alternate between 1 and 2.

### ***How to eject the tape***

To stop the tape and eject the cassette, press the “EJECT” button. The radio will resume playing.

### ***Using the Dolby® B noise reduction feature***

Push the  button to activate. Push again to deactivate.

**NOTE: Noise reduction system manufactured under license from Dolby Labs Licensing Corporation. “Dolby” and double-D symbol are trademarks of Dolby Laboratories Licensing Corporation.**

### ***How to view the clock mode***

Press the “CLOCK” button to alternate the frequency and time in the display. In the clock mode, pressing any radio function will automatically display the radio frequency for approximately ten seconds before changing back to the clock mode.

### ***How to set the clock***

1. Turn the radio on.
2. Press and hold in the “CLOCK” button, press the “SEEK” button left (◀) to advance the hours and right (▶) to advance the minutes.

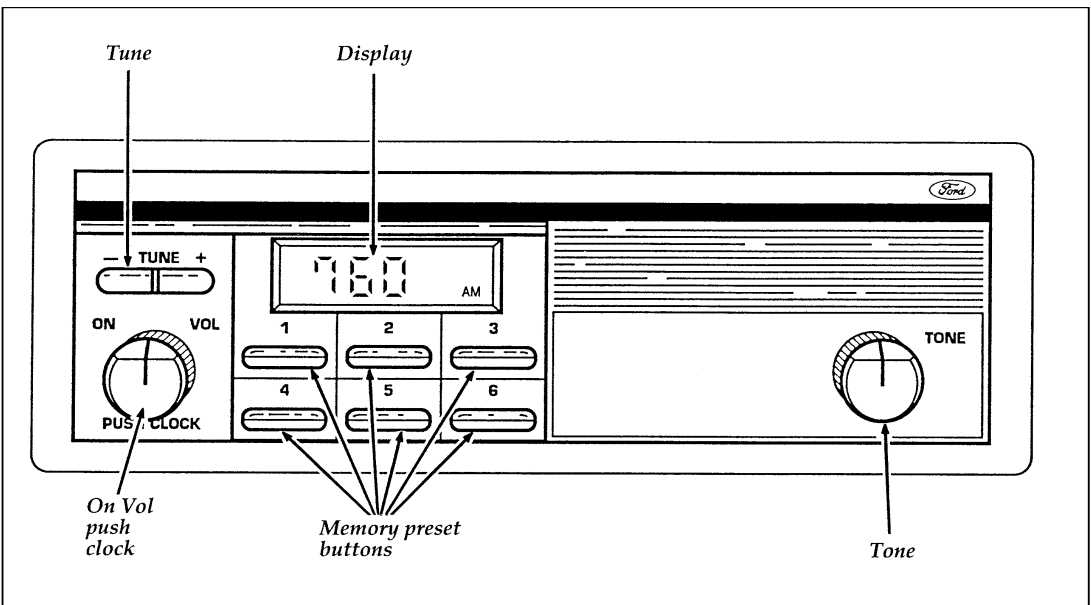
**NOTE: The clock displays 12-hour time with no AM/PM indications.**

## **Tips on Caring for the Cassette Player and Tapes**

In order to keep your cassette tape player performing the way it was meant to, read and follow these simple precautions:

- Using a Ford Cassette Cleaning Cartridge to clean the tape player head after 10-12 hours of play will help maintain the best playback sound and proper tape operation.
- Only cassettes that are 90 minutes long or less should be used. Tapes longer than 90 minutes are thinner and subject to breakage or may jam the tape player mechanism.
- Protect cassettes from exposure to direct sunlight, high humidity and extreme heat or cold. If they are exposed to extreme conditions, allow them to reach a moderate temperature before playing.
- If a tape is loose inside the cassette, tighten it before playing by putting your finger or a pencil into one of the holes and turning the hub until the tape is tight.
- Loose labels on cassette tapes can become lodged in the mechanism. Remove any loose label material before inserting a cassette.
- Do not leave a tape in the cassette tape player when not in use. High heat in the vehicle can cause the cassette to warp.

# Electronic AM Radio



Electronic AM Radio

## Using the Controls on Your New Radio

### ***How to turn the radio on and adjust the volume***

Press the “ON/VOL-PUSH-CLOCK” control to turn the radio on. Press again to turn it off. Rotate the control clockwise to increase the volume.

**NOTE:** If your radio has a clock feature, turn the radio on by rotating the control clockwise. Pushing the control in will change the display from the radio frequency to the clock (time) or from the clock to the radio frequency.

### ***How to tune radio stations***

There are two ways for you to tune to a particular station. You can manually locate a station using the “TUNE” button or select a station using the “MEMORY PRESET” buttons, which you can set to any desired frequency.

#### Using the “TUNE” function

You can change the frequency up or down one increment at a time by pressing and releasing either the right (▶) or left (◀) side of the “TUNE” button. To change frequencies quickly press and hold down either the right or left side of the “TUNE” button.

The “TUNE” control adjusts your radio to any allowable broadcast frequency regardless of whether or not a station is present on that frequency. (See *All About Radio Frequencies* in this section.)

## ❑ Setting the Station Memory Preset buttons

Your radio is equipped with 6 station memory preset buttons. These buttons can be used to select up to 6 preset AM stations. Follow the easy steps below to set these buttons to the desired frequencies:

1. Tune to the desired frequency.
2. Press one of the memory preset buttons and hold the button in until the sound returns. That station is now held in memory on that button.
3. Follow the two steps above for each station memory preset you want to set.

**NOTE: If the vehicle's battery is disconnected, the clock and station memory preset buttons (if programmed in auto mode) will need to be reset.**

### ***Adjusting the tone balance and speaker output of your radio***

The "TONE" button on the right side of your radio controls the bass and treble balance. Rotate the control clockwise to increase the treble response (more highs) and counterclockwise to increase the bass response (more lows).

## **Clock Operation**

### ***How to view the clock mode***

Press the "CLOCK" button to alternate the frequency and time in the display. In the clock mode, pressing any radio function will automatically display the radio frequency for approximately ten seconds before changing back to the clock mode.

### ***How to set the clock***

1. Turn the radio on.
2. Press and hold in the ON/VOL-PUSH-CLOCK control.
3. While holding the “ON/VOL-PUSH-CLOCK” button in, press the “TUNE” button left (–) to advance the hours and right (+) to advance the minutes.

**NOTE: The clock displays 12-hour time with no AM/PM indications.**

### **Common Radio Reception Conditions**

Several conditions prevent FM reception from being completely clear and noise-free, such as the following:

1. Distance/Strength

The strength of the FM signal is directly related to the distance the signal must travel. The listenable range of an average FM signal is approximately 25 miles (40 kilometers). Beyond this distance, the radio is operating in a fringe area and the signal becomes weaker.

**NOTE: Always make sure your antenna (Whether you have a power antenna or a manually adjustable antenna) is fully extended to its maximum length for proper reception. If your antenna is not fully extended, you may experience signal loss while traveling in fringe reception areas.**

2. Terrain

The terrain (hilly, mountainous, tall buildings) of the area over which the signal travels may prevent the FM signal from being noise-free.

If there is a building or large structure between the antenna and station, some of the signal “bends” around the building, but certain spots receive almost no signal. Moving out of the “shadow” of the structure will allow the station to return to normal.

When the radio waves are reflected off objects or structures, the reflected signal cancels the normal signal, causing the antenna to pick up noise and distortion. Cancellation effects are most prominent in metropolitan areas, but also can become quite severe in hilly terrain and depressed roadways.

To minimize these conditions, a stereo/mono blend circuit has been incorporated into this system. This feature automatically switches a weak stereo signal to a clearer monaural signal, which improves the quality of reception.

Several sources of static are normal conditions on AM frequencies. These can be caused by power lines, electric fences, traffic lights and thunderstorms.

Another reception phenomenon is **Strong Signal Capture and Overload**. This can occur when listening to a weak station and when passing another broadcast tower. The close station may capture the more distant station, although the displayed frequency does not change. While passing the tower, the station may switch back and forth a few times before returning to the original station.

When several broadcast towers are present (common in metropolitan areas) several stations may overload the receiver, resulting in considerable station changing, mixing and distortion.



Automatic gain control circuitry for both AM and FM bands has been incorporated into this system to reduce strong signal capture and overload.

## **All About Radio Frequencies**

The Federal Communications Commission (FCC) and the Canadian Radio Telecommunications Commission (CRTC) establish the frequencies AM and FM radio stations may use for their broadcasts. The allowable frequencies are, AM: 530, 540...1600, 1610 kHz in 10 kHz steps; FM: 87.9, 88.1...107.7, 107.9 MHz in 0.2 MHz steps.

Not all frequencies will be assigned to a given area. This radio will tune to each of these frequencies using manual tune and no fine tuning is necessary as radio stations may not use other frequencies.

Some FM radio stations advertise a “rounded-off” frequency which is not the frequency they actually broadcast on. For example, a radio station that is assigned a frequency of 98.7 MHz may call itself “Radio 99” even though 99.0 MHz is not an allowable FM broadcast frequency.

## **Important Warranty and Service Information**

### **Warranty**

Your sound system is warranted for three years or 36,000 miles (60,000 kilometers), whichever comes first. Consult your vehicle warranty booklet for further information. Ask your dealer for a copy of this limited warranty.

### **Service**

At Ford Electronics, we stand behind our audio systems with a comprehensive service and repair program. If anything should go wrong with your Ford audio system, return to your dealer for service. There is a nationwide network of qualified Ford authorized repair centers to assist you.

---

# Driving Your Econoline

---

Procedures for driving your vehicle will vary depending on which type of transmission your vehicle has.

- an Automatic Transmission (C-6)
- an Electronic 4-speed Automatic Transmission (E4OD)
- an Electronic 4-speed Automatic Transmission (4R70W)

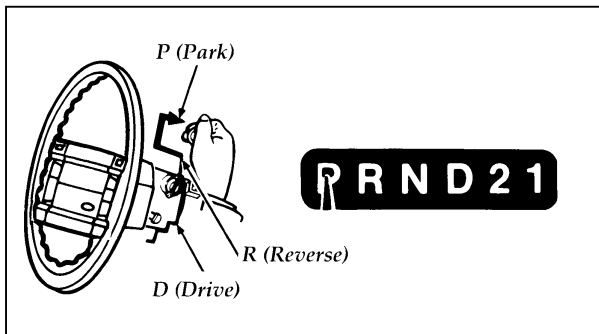
Your vehicle is equipped with an Electronic Powertrain Control Module that limits engine and/or vehicle speeds with a cut-out mode to promote durability.

## Automatic Transmission Operation (C-6)

### Putting Your Vehicle in Gear

Your vehicle's gearshift is on the steering column. You can put the gearshift in any of several positions.

**NOTE: Do not rest your hand on the gearshift lever while driving your vehicle because you could cause the gearshift lever to move out of position.**



The positions of the column-mounted gearshift

**⚠ WARNING**

**Hold the brake pedal down while you move the gearshift lever from position to position. If you do not hold the brake pedal down, your vehicle may move unexpectedly and injure someone.**


Once you place the gearshift securely into position, gradually release the brake pedal and use the accelerator as necessary.

**NOTE: Your vehicle is equipped with a brake-shift interlock feature. This feature prevents you from shifting from P (Park) unless you have the brake pedal depressed. (The ignition must be in the ON position.) If you cannot shift from P (Park) with the brake pedal depressed:**

1. Apply the parking brake.
2. Remove the key.
3. Insert the key and rotate one position clockwise (ignition in the OFF position).

4. Apply the brake pedal and shift to N (Neutral). (If the vehicle is shifted to P (Park), you must repeat the previous steps.)
5. Start the vehicle.

If you need to shift out of P (Park) by using the alternate procedure described above, it is possible that a fuse has blown and that your brakelamps may also not be functional. Please refer to the chapter titled *Servicing Your Econoline* in this Owner Guide for instructions on checking and replacing fuses.

 <b>WARNING</b>
<b>DO NOT DRIVE YOUR VEHICLE UNTIL YOU VERIFY THAT THE BRAKELAMPS ARE WORKING.</b>

## **R (Reverse)**

With the gearshift in the R (Reverse) position, the vehicle will move backward. You should always come to a complete stop before shifting into or out of R (Reverse).

## **Driving**

### ***When to use D (Drive)***

This is the normal driving position. As the vehicle picks up speed, automatic upshifts from First gear to Second and Second to Third will occur. The transmission automatically downshifts as speed decreases.

### ***When to use 2 (Second)***

Use 2 (Second) to drive up moderately steep grades, to start-up on slippery roads or to provide engine braking on downgrades.

Do not go faster than 55 mph (88 km/h) in this gear.

### ***When to use 1 (Low)***

Use 1 (Low) to drive up steep grades and to provide maximum engine braking on hilly roads. Upshifts from 1 (Low) can be made by manually shifting to 2 (Second) or D (Drive). Selection of 1 (Low) gear provides only First gear operation at start-up. When driving, manually shifting to 1 (Low) will result in downshifts to Second gear or First gear depending on vehicle speed.

**NOTE: Do not drive faster than 30 mph (48 km/h) in this gear.**

### **P (Park)**

Always come to a complete stop before you shift into P (Park). This position locks the transmission and prevents the rear wheels from turning. To securely latch the gearshift in the P (Park) position, pull it toward you, push it completely counterclockwise against the stop, and then push it toward the instrument panel.

The gearshift is securely latched in P (Park) if you cannot rotate it in a clockwise direction without lifting it toward you.

 <b>WARNING</b>
---

<b>Always set the parking brake fully and make sure the gearshift is securely latched in P (Park).</b>
--

 <b>WARNING</b>
--

<b>Never leave your vehicle unattended while it is running.</b>
---

## **Forced Downshifts**

To gain added acceleration in D (Drive) (when passing another vehicle) push the accelerator to the floor. The transmission will downshift to Second gear at speeds from about 35 to 55 mph (56 to 88 km/h) or to either First or Second gear at speeds under 35 mph (56 km/h).

## **Power Braking**

Increasing the engine speed above idle without vehicle movement (such as holding the brake) in a forward or reverse gear causes transmission stall. **Continued operation in the stall condition can result in transmission overheat, malfunction or fluid expulsion.**

## **Automatic Transmission Operation (E4OD and 4R70W)**

The E4OD and 4R70W transmissions are electronically controlled four speed automatic transmissions with overdrive. Transmission operation is controlled by the Powertrain Control Module (PCM).

The PCM will automatically adjust transmission operation to make up for varying conditions. Several sensors located on the engine and transmission such as Throttle Position, Engine Speed, Vehicle Speed and Transmission Temperature are used by the PCM to shift the transmission into a higher or lower gear when required for the best performance and fuel economy. For example, you may notice that the transmission will upshift to a higher gear more quickly when the vehicle is first driven and has not reached normal operating temperature.

The PCM also controls the transmission's Torque Converter Clutch to further raise vehicle performance and fuel economy. The Torque Converter Clutch will engage when the transmission operating temperature and other conditions determined by the PCM have been met. Engagement of the clutch may be noted as a decrease in engine speed after an upshift has completed or when the driver has depressed the throttle while driving at a steady road speed.

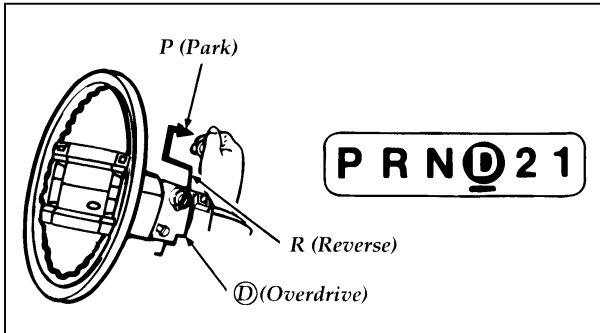
To help in troubleshooting, the PCM continually performs self-tests on the electronic control system and if any faults are detected, will store them in memory. The Transmission Control Indicator Light (TCIL), which is located on the gearshift lever, may flash steadily if a malfunction has been detected. If the TCIL is flashing, contact your Ford dealer as soon as possible. If this condition persists, damage to the transmission could occur.

**NOTE: The word "OFF" located on the end of the gearshift lever is the transmission control indicator light (TCIL).**

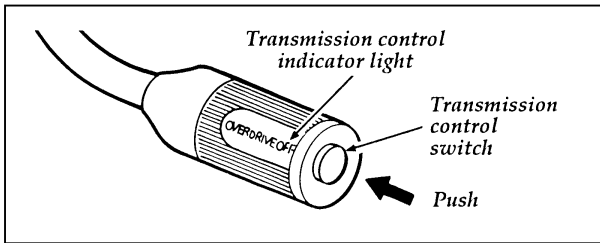
### **Putting Your Vehicle in Gear**

Your vehicle's gearshift is on the steering column. The Transmission Control Switch and indicator light are located on the end of the gearshift lever. You can put the gearshift in any of the several positions.





The positions of the column-mounted gearshift



Transmission Control Switch and indicator light (located on the gearshift lever)

**⚠ WARNING**

**Hold the brake pedal down while you move the gearshift lever from position to position. If you do not hold the brake pedal down, your vehicle may move unexpectedly and injure someone.**

Once you place the gearshift securely into position, gradually release the brake pedal and use the accelerator as necessary.

**NOTE: Your vehicle is equipped with a brake-shift interlock feature. This feature prevents you from shifting from P (Park) unless you have the brake pedal depressed. (The ignition must be in the ON position.) If you cannot shift from P (Park) with the brake pedal depressed:**

1. Apply the parking brake.
2. Remove the key.
3. Insert the key and rotate one position clockwise (ignition in the OFF position).
4. Apply the brake pedal and shift to N (Neutral). (If the vehicle is shifted to P (Park), you must repeat the previous steps.)
5. Start the vehicle.

If you need to shift out of P (Park) by using the alternate procedure described above, it is possible that a fuse has blown and that your brakelamps may also not be functional. Please refer to the chapter titled *Servicing Your Econoline* in this Owner Guide for instructions on checking and replacing fuses.

 **WARNING**

**DO NOT DRIVE YOUR VEHICLE UNTIL YOU VERIFY THAT THE BRAKELAMPS ARE WORKING.**

## **R (Reverse)**

With the gearshift in the R (Reverse) position, the vehicle will move backward. You should always come to a complete stop before shifting into or out of R (Reverse).

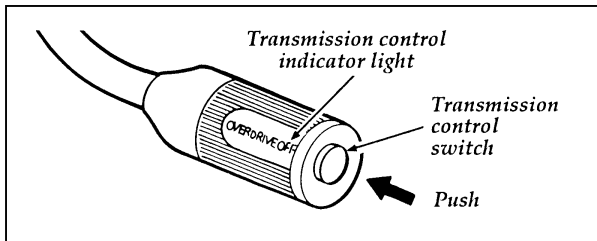
## Driving

### **When to use **D** (Overdrive)**

This is the normal driving position. As the vehicle picks up speed, automatic upshifts to second, third and fourth gears will occur when **D** Overdrive is chosen on the selector and the transmission control switch has not been pressed. The transmission will shift into the correct gear when the right speed is achieved, for the accelerator pedal position you have chosen.

### **When to use Drive**

You will note that there isn't a drive position on your gearshift indicator. However, you will find a Transmission Control Switch and an indicator light labeled "Overdrive" located on the end of the gearshift lever. Press this switch and the word "OFF" will illuminate on the shift lever knob. With the word "OFF" illuminated, the transmission will operate in gears one through three. Operating in the Overdrive "OFF" mode gives more engine braking than Overdrive and is useful for descending hills or when towing.



**Transmission Control Switch and indicator light (located on the gearshift lever)**

To return the transmission to the normal **D** Overdrive operation, press the transmission control switch again. The Transmission Control Indicator Light will not be illuminated when Overdrive operation resumes. This switch may be used to select O/D ON or O/D OFF any time the vehicle is being driven.

When starting your vehicle, the overdrive system will automatically be in the normal overdrive mode.

If the Transmission Control Indicator Light is flashing on and off steadily, a transmission system malfunction was detected. The transmission will operate in a failure management mode and may have harsh engagements, firm shift feel, or abnormal shift schedule. If this condition persists, damage to the transmission could occur. Contact your dealer as soon as possible.

### ***When to use 2 (Second)***

Use 2 (Second) to start-up on slippery roads or to provide additional engine braking on downgrades. This position provides 2 (Second) gear operation only.

### ***When to use 1 (Low)***

Use 1 (Low) to provide maximum engine braking on steep downgrades. Upshifts from 1 (Low) can be made by manually shifting to 2 (Second) or **D** (Overdrive). Selection of 1 (Low) gear provides only low gear operation from start-up. Selection of 1 (Low) while at higher speeds provides a shift to second gear, and a shift to first gear will occur after the vehicle decelerates to the proper speed.

## **P (Park)**

Always come to a complete stop before you shift into P (Park). This position locks the transmission and prevents the rear wheels from turning. To securely latch the gearshift in the P (Park) position, pull it toward you, push it completely counterclockwise against the stop, and then push it toward the instrument panel.

The gearshift is securely latched in P (Park) if you cannot rotate it in a clockwise direction without lifting it toward you.

<b>⚠ WARNING</b>
------------------

<b>Always set the parking brake fully and make sure the gearshift is securely latched in P (Park).</b>
--

<b>⚠ WARNING</b>
------------------

<b>Never leave your vehicle unattended while it is running.</b>
---

## **Forced Downshifts**

To gain extra acceleration in **D** Overdrive or Drive (O/D OFF), push the accelerator to the floor. The transmission will automatically downshift to the appropriate gear: third, second or first.

## **Power Braking**

Increasing the engine speed above idle without vehicle movement (such as holding the brake) in a forward or reverse gear causes transmission stall.

**NOTE: Continued operation in the stall condition can result in transmission overheating, malfunction or fluid expulsion.**

## Steering Your Vehicle

Your vehicle comes with power steering. Power steering uses energy from the engine to help steer your vehicle.

If the amount of effort needed to steer your vehicle changes at a constant vehicle speed, have the power steering system checked. If the power steering system breaks down (or if the engine is turned off), you can steer the vehicle manually but it takes more effort.

Never hold the steering wheel to the extreme right or left for more than five seconds if the engine is running. This can damage the power steering pump.

**NOTE: After any severe impact such as striking large potholes, sliding into curbs on icy roads, or a collision involving the front end, observe the steering wheel alignment. If the spokes of the steering wheel seem to be in a different position while going straight down the road, have the front suspension and steering checked for possible damage.**

## Brakes

### Front Disc Brakes

The front disc brakes are self-adjusting. They do not require service other than periodic inspection for pad wear.

## Rear Drum Brakes

The rear drum brakes are self-adjusting. Automatic adjustment occurs when the brakes are applied while “backing up.” If normal operation does not include much backing, adjust the brakes when they seem “low,” using the procedure under *If Brakes Do Not Grip Well or Pedal is Low* in this chapter.

## Rear Disc Brakes (Econoline Super Duty Only)

The rear disc brakes are self-adjusting. They do not require service other than periodic lubrication of the caliper slide rails and inspection for pad wear.

## Hydraulic Power Brakes

The hydraulic brake system is made up of two independent hydraulic circuits. One hydraulic circuit supplies fluid to the front disc brakes and the other hydraulic circuit supplies fluid to the rear drum brakes. These two circuits are supplied by a common hydraulic brake fluid reservoir, with a fluid level sensor.

The brake light in the instrument cluster will light for low brake fluid in the common brake fluid reservoir.

 <b>WARNING</b>
<b>An increase in pedal travel will result in reduced braking capability. The brake system should be checked immediately.</b>

## **Hydraulic Brake Booster System (Hydro Boost)**

The Hydro Boost system receives its source of power from the power steering system pump.

### **Rear Anti-lock Brakes (If equipped)**

Your vehicle may be equipped with a Rear Anti-lock Brake System. This system prevents at least one and often both rear wheels from completely locking up when the brakes are applied in a panic stop, for example.

Even with the Anti-lock Brake System, you should be careful when braking. Front brake lock up on any surface, even on smooth pavement causes loss of steering control. Heavy braking on roads with loose surfaces such as snow or gravel, or severe pavement irregularities could also cause you to lose steering control of your vehicle.

 <b>WARNING</b>
<b>If the anti-lock brake system warning light remains on or comes on while driving, have the braking system checked by a qualified service technician as soon as possible.</b>

**NOTE: If a fault occurs in the anti-lock system, and the brake warning light is not lit, the anti-lock system is disabled but normal brake function remains operational.**

### **Anti-lock Brake System (If equipped)**

Your vehicle may be equipped with a Four Wheel Anti-lock Braking System (4WABS). The 4WABS helps the driver to maintain vehicle control by preventing wheel lockup during hard braking.



The 4WABS operates with a computer that is able to optimize vehicle control during braking on varying tire and road conditions by modulating the brake pressure at each of the front wheels and the rear axle. This “pumping action” is similar to the driver “pumping” the brakes but happens at a much faster rate.

**⚠ WARNING**

**The Anti-lock system does NOT assist the vehicle in stopping quickly on wet or icy surfaces. Heavy braking combined with poor road conditions could cause you to lose steering control of your vehicle.**

***Using anti-lock brakes***

The operation of a vehicle with 4WABS is not similar to the operation of normal brakes. Some differences exist and are listed below:

- Apply the brake steadily. In the event of a panic stop, do NOT “pump” the brakes. “Pumping” the brakes during an Anti-lock stop will diminish braking effectiveness.
- During an Anti-lock stop, the driver will notice a brake pedal pulsation and hear some noise from the engine compartment. This is an indication that the 4WABS system is working correctly and is normal.

**⚠ WARNING**

**The Anti-lock system does NOT decrease the time necessary to apply the brakes. Always leave enough room between the vehicle in front of you and your vehicle.**

### ***4WABS driver warning light***

The 4WABS computer continuously monitors the system while driving for any electrical faults or system malfunctions. In addition, the 4WABS computer performs an initial system check called bulb proveout when the vehicle ignition is switched on. During bulb proveout, the amber “ABS” light on the instrument cluster will momentarily illuminate and then go out.

**NOTE: After starting the vehicle and upon initial drive-off, the driver may notice a single pulse of the brake pedal and a noise from the engine compartment. This is part of the initial system check and is normal.**

Should a malfunction in the 4WABS system occur, the amber “ABS” light on the instrument cluster will come on and stay on indicating that the antilock system has been shut down and the vehicle needs to be serviced. Normal braking is not affected unless the red brake warning light is also illuminated.

**NOTE: It is important to note that when the ABS Warning Light is illuminated the ABS system is disabled. The vehicle must be serviced immediately to restore the benefits of the Anti-lock system.**

**NOTE: Mobile phones or radio transmitters not installed by Ford Motor Company may interfere with the Anti-lock System. Should the Anti-lock system activate unexpectedly or the Anti-lock Warning Light illuminate after installation of such a unit, have the installation of the unit checked.**

## **If Brakes Do Not Grip Well or Pedal is “Low”**

If brakes do not grip well, it may indicate the rear drum brakes need adjustment. To do this, drive the vehicle in reverse at 5 mph (8 km/h) on level, dry pavement. Stop the vehicle by firmly applying the brakes. Repeat this procedure four or five times.

If during normal operation the brake pedal seems “low”, it may indicate the need for a brake system inspection and/or service. You should have your brakes checked as soon as possible.

Occasional brake squeal during light to moderate stops does not affect the function of the brake system and is normal. However, if the squeal becomes annoyingly loud or increases significantly in frequency of occurrence, return the vehicle to your dealer for inspection.

 <b>WARNING</b>
<b>Modifications to the suspension spring rates and/or vehicle ride height may adversely affect vehicle stopping ability.</b>

### **If Brakes Pull**

- Check tire pressure.
- Perform the self-adjustment procedure described under *If Brakes Do Not Grip Well or Pedal is “Low.”*

If pull occurs during the first 500 miles (800 km), make 10 moderately fast stops from 40 mph (65 km/h) and then perform the self-adjustment procedure above. It may be necessary to repeat this operation to properly seat new brake linings and pads.

## Stopping Distances

Stopping distances vary with different loads and driving conditions. Use caution when encountering new conditions and acquaint yourself with vehicle performance. Take full advantage of engine braking power when slowing down.

## Applying the Brakes

Apply the brake pedal gradually. Use the “squeeze” technique — push on the brake pedal with a steadily increasing force. This allows the wheels to continue to roll while you are slowing down, which lets you steer properly.

 <b>WARNING</b>
--

<b>Do not drive with your foot resting on the brake pedal. This will increase your vehicle's stopping distance and may also cause brake damage.</b>
---

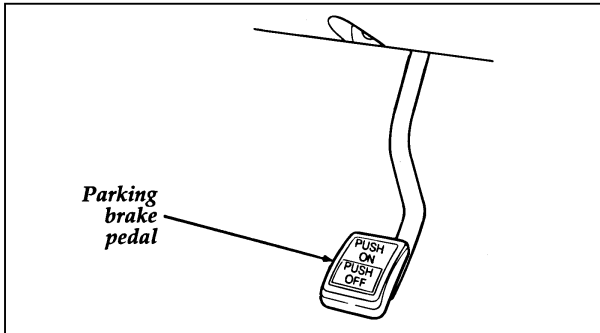
 <b>WARNING</b>
--

<b>If you are driving down a long or steep hill, shift to a lower gear. Do not apply your brakes continuously, as they may overheat and become less effective.</b>
--

## Using the Parking Brake

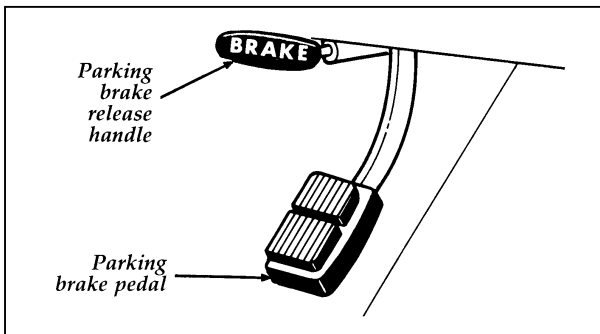
The parking brake should be used whenever you park your vehicle.

The parking brake pedal is suspended just below the bottom of the instrument panel to the left of the service brake. To set the parking brake while parking your vehicle, press the brake pedal with your right foot and hold it while you push the parking brake pedal down firmly with your left foot.



### **Parking Brake**

To release the parking brake, press the service pedal with your right foot and hold it while you push the parking brake pedal down firmly with your left foot.



### **Parking brake (Commercial stripped chassis only)**

To release the parking brake for Commercial Stripped Chassis vehicles, press the service brake pedal with your right foot and pull the parking brake release lever.

**⚠️ WARNING**

**Always set the parking brake fully and make sure the gearshift is latched in P (Park). Turn off the ignition whenever you leave your vehicle.**

**⚠️ WARNING**

**If the parking brake is fully released, but the Brake System light remains on, have the brakes checked immediately. They may not be working properly.**

The parking brake is not designed to stop a moving vehicle, but you can use the parking brake to stop your vehicle in an emergency if the normal brakes fail. However, since the parking brake applies only the rear brakes, the stopping distance will increase greatly and the handling of your vehicle will be adversely affected.

## **Driving Under Special Conditions**

### **Tips for Safe Driving**

As with any new vehicle, yours may drive and handle differently from your previous vehicle. Use care until you become accustomed to its various features and driving characteristics.

Operate your vehicle within reasonable limits. Sudden acceleration, deceleration, turning, or combinations of these maneuvers can cause a vehicle to behave differently than anticipated.

## Wheel Spin

- Extreme acceleration can cause the rear wheels to spin, perhaps resulting in reduced steering control.


If the wheels spin during vehicle start-up, shift to a different gear:

- Electronic 4-Speed Automatic Transmission  
E4OD: use 2 (Second)
- 3-Speed Automatic (C6): use 2 (Second)

Move forward slowly and evenly. If this does not work, try rocking the vehicle.

## High Speed Driving

Ford Motor Company recommends obeying posted speed limits.

 <b>WARNING</b>
<b>Driving too fast for conditions creates the possibility of loss of vehicle control. Driving at very high speeds for extended periods of time may result in damage to vehicle components.</b>

### *Speed limiter*

All models are equipped with an Electronic Engine Control (EEC) system which limits the maximum engine speed and thus road speed in top gear. Vehicle operation is normal since the controlled maximum speed is above posted highway speeds in North America.

## Driving in Bad Weather

### *Slippery roads*

Drive cautiously on wet or snowy roads:

- Do not quickly move the steering wheel unless necessary.
- Drive slower than you normally would.
- Give your vehicle more distance to stop.
- To stop on ice, shift to N (Neutral) below 10 mph (16 km/h) and gently pump brakes. (Except with 4WAL)
- Consider using one of the lower gears.

 <b>WARNING</b>
<b>To avoid skidding and losing control on slippery roads, do not downshift into 1 (First) when you are moving faster than 20 mph (32 km/h).</b>

 <b>WARNING</b>
<b>The Anti-Lock Brake System may not prevent brake lock-up on extremely slippery surfaces.</b>

### *Traction-Lok Rear Axle (If equipped)*

This axle provides added drive away traction on slippery surfaces, particularly when one or more wheels are on a surface with poor traction.

Extended use of other than matching size tires on a Traction-Lok rear axle could result in a permanent reduction in effectiveness. This loss of effectiveness does not affect normal driving and should not be noticeable to the driver.



**⚠ WARNING**

**To avoid injury, never run the engine with one wheel off the ground, such as when changing a tire.**

***High water***

Never attempt to cross water that is fast flowing or of unknown depth.

Do not drive through flooded areas unless you are sure that the water is below the bottom of the wheel hubs.

If you must drive through high water, drive slowly. You may have limited traction or wet brakes, so allow extra stopping distance because your vehicle will not stop as quickly as usual.

After you drive through the standing water, apply your brakes gently several times as your vehicle moves slowly. This helps to dry the brakes.

**NOTE: If the transmission and transfer case is submerged in water, their fluids should be checked and changed, if necessary.**

**NOTE: All rear axle lube quantities must be replaced every 100,000 miles (160,000 km) or if the axle has been submerged in water. Otherwise, the lube should not be checked or changed unless a leak is suspected or repair required.**

### ***Rocking the vehicle***

If your vehicle gets stuck (for example, in mud or snow), you may rock it out of the spot. Shift in a steady rhythm between forward and reverse gears. Allow the transmission to fully engage, then press lightly on the accelerator. Do not rock the vehicle for more than a few minutes. This may overheat the engine and transmission, causing damage to both. In addition, other vehicle systems and components may also be damaged.

 <b>WARNING</b>
<b>Do not spin the wheels at over 35 mph (55 km/h). The tires may fail and injure a passenger or bystander.</b>

### **Driving With a Heavy Load**

There are limits to the amount of weight your vehicle can carry or tow. The total weight of your vehicle, plus the weight of the passengers and cargo, should never be more than the Gross Vehicle Weight Rating (GVWR). Also, the weight that your vehicle carries over the front axle and rear axle should never be more than the Gross Axle Weight Rating (GAWR) for the respective axle.

The weight limits of your vehicle's tires affect the GVWR or GAWR limitations. Usage of replacement tires with higher weight limit than originals does not increase GVWR or GAWR. Usage of lower capacity replacement tires may lower GVWR and GAWR limitations.

**⚠ WARNING**

**If the GVWR or the GAWR specified on the Safety Compliance Certification Label is exceeded, your vehicle may be damaged or you may lose control and injure someone.**

## **Vehicle/Trailer Loads**

All vehicles may tow a Class I trailer provided the Gross Combined Weight (GCW) is less than or equal to the GVWR shown on the Safety Compliance Certification Label. For heavier trailer applications, refer to the towing information found later in this chapter.

### **Trailer Towing (may require trailer tow option package)**

Towing a trailer puts additional loads on your vehicle's engine, transmission, axle, brakes, tires and suspension. For your safety and for the good of your vehicle, use the right equipment for the type of trailer you tow.

Your trailer towing capability will vary based on the standard and optional equipment on your vehicle. Refer to the following *Vehicle Loading/Towing Information* and the Trailer Towing Tables to determine the specific towing capability of your vehicle.

- Stay within the load limits when you tow.
- Carefully and thoroughly prepare your vehicle for towing, making sure to use the right equipment and to attach it properly. (See *Preparing to Tow* in this chapter.)
- Use extra caution when driving your vehicle while you tow. (See *Driving while you tow* in this chapter.)

- Service your vehicle more frequently if you tow a trailer. (See *Servicing your vehicle if you tow* in this chapter.)

Do not tow a trailer until your vehicle has been driven at least 500 miles (800 km).

## Vehicle Loading/Towing Information

Your vehicle's load capacity is designated by weight, not volume, so you cannot necessarily use all available space with large or heavy loads. Maximum safe vehicle weights as well as tire, rim sizes and inflation pressures are specified for your vehicle at the assembly plant on the Safety Compliance Certification Label. The Certification Label is located on the left front door lock facing or the door latch post pillar.

Trucks, unlike passenger cars, are basically custom vehicles designed to carry a load. Most owners start with a base vehicle and add production and dealer installed and/or aftermarket components to suit their tastes and purposes. Even trucks that are purchased for personal transportation only are likely to have considerable optional equipment, such as step bumpers and light bars, for example.

 **WARNING**

**Passengers should not be allowed to ride in the cargo area. Persons not riding in a seat with a fastened seat belt are much more likely to suffer serious injury in a collision. Cargo should always be secured to prevent it from shifting and causing damage to the vehicle or harm to passengers.**

Each additional item of equipment affects how much cargo a vehicle can carry. If a vehicle is overloaded, performance will suffer and service concerns may arise.

The following is a typical example of a Safety Compliance Certification Label and an explanation of how this information should be used:

**Sample Safety Compliance Certification Label**

*(Refer to actual label on your vehicle)*

**MFD. BY FORD MOTOR CO. IN U.S.A. DATE: XXXXX**

GVWR: XXXXXXXXXXXXXXXX	REAR GVWR: XXXXXXXX XXXXXXXX
FRONT GVWR: XXXXXXXX XXXXXXXX	WITH XXXXXXXXXXXX TIRES
WITH XXXXXXXXXXXX TIRES	XX RIMS
XXXXXXXXXX RIMS AT XX	PSI COLD XXXX
THIS VEHICLE CONFORMS TO FEDERAL MOTOR VEHICLE SAFETY STANDARDS IN EFFECT ON THE DATE OF MANUFACTURE SHOWN ABOVE.	
VIN: XXXXXXXXXXXXXXXXXXXX TYPE: XXXXXXXXXXXXXXXXXXXX	

SAMPLE

EST. PAINT COLOR: XXXXX XXXXX XXXXX	DISC: XXXXX	XXXXX
DR: TYPE GVW BODY SEATS AXLE SUPE SPRINGS	XXXXX	XXXXX
XXX XXX XXX XXX XXX XX	XXXXX	XXXXX
WF7JUA-128418-0A		

*On rear edge of driver's door*

3225 lbs. (1463 kgs)	3800 lbs. (1724 kgs)	
<i>maximum</i>	<i>maximum</i>	
6500 lbs. (2948 kgs)		<i>Maximum</i>

**Safety Compliance Certification Label**

Do not use the sample numbers on the Safety Compliance Certification Label shown. Use the actual numbers from your vehicle certification label.

221

## **Understanding Loading/Towing Information**

The following terms are used to describe the ability to carry or tow a load:

- Base Curb Weight
- Payload
- GVW (Gross Vehicle Weight)
- GVWR (Gross Vehicle Weight Rating)
- GAWR (Gross Axle Weight Rating)
- GCWR (Gross Combined Weight Rating)
- Maximum Trailer Weight Rating
- Maximum Trailer Weight
- Trailer Weight Range

### ***Base Curb Weight***

The Base Curb Weight is the weight of the vehicle including fuel, coolants, lubricants, emergency tools, spare wheel and tire. It also includes any equipment that is *standard* on that model. It does not include passengers, cargo or optional equipment installed by factory, dealer, aftermarket supplier or customer.

### ***Payload***

Payload is the combined, maximum allowable weight of cargo, occupants and optional equipment that the truck is designed to carry. It is Gross Vehicle Weight Rating minus the base curb weight.

### ***Gross Vehicle Weight (GVW)***

If you add base curb weight and the weight of a load (including passengers, cargo and optional equipment) being carried at a particular time, you get the Gross Vehicle Weight (GVW).

It is important to remember that *GVW is not a limit or a specification*. If an owner loads up a vehicle and weighs it, that's the GVW at that moment. If the owner piles on more of a load and weighs it again, that becomes the GVW...until such time as the vehicle is unloaded.

### ***Gross Vehicle Weight Rating (GVWR)***

To avoid overloading a vehicle, the owner should observe the manufacturer's specified Gross Vehicle Weight Rating. The GVWR is the maximum total weight of base vehicle, passengers, optional components and cargo that a particular vehicle was designed to carry.

### ***Gross Axle Weight Rating (GAWR)***

We have all seen a car or a truck that is loaded down in the rear and riding high in the front. This is a dangerous condition that usually means that the rear suspension components are under severe strain and that vehicle handling is impaired. There is more to carrying a load than just payload or GVWR.

Your Safety Compliance Certification Label not only gives the GVWR, it also gives the Gross Axle Weight Rating (GAWR) which is the carrying capacity for each axle system. For trucks, the rear axle will be designed to carry more weight than the front.

The rating is based on the carrying capacity of the *lowest rated* axle and suspension component as well as other factors. This is why it's so important to observe vehicle loading ratings. Overloading a vehicle punishes components and can lead to shortened service life or outright failure.

The capacity of the tires is included as part of the axle and suspension system, which is to be considered when determining the lowest rated component. Tires are rated to carry a specific maximum load at a specific maximum tire pressure.

Passenger car type tires when installed on light trucks and multipurpose passenger vehicles are rated at 10% lower load carrying capacity due to the differences in vehicle usages.

The vehicle must not be loaded to both the front and rear GAWR because the GVWR will be exceeded. The GAWR of the front and rear axles exceeds the GVWR when added together to allow flexibility in fore and aft loading of cargo.

With the tires inflated to the specified pressure the total weight of your vehicle must not exceed the GVWR and GAWR specified on the Safety Compliance Certification Label. This includes full fuel tank(s), vehicle equipment, and occupants as well as the cargo load.

### ***GCWR (Gross Combined Weight Rating)***

GCWR is the maximum combined weight of the towing vehicle (including passengers and cargo) and the loaded trailer. The GCWR is specified by the manufacturer to indicate the combined maximum loaded weight that the vehicle is designed to tow.



### ***Maximum Trailer Weight Rating***

The maximum trailer weight rating is the maximum weight of a trailer the vehicle is permitted to tow. It is specified by the manufacturer and is determined by subtracting the vehicle curb weight for each engine/transmission combination, any required option weight for trailer towing and the weight of the driver from the GCWR for the towing vehicle.

### ***Maximum Trailer Weight***

The maximum trailer weight is the maximum weight of a trailer the loaded vehicle is permitted to tow. It is determined by subtracting the weight of the loaded towing vehicle (including passengers and cargo) from the GCWR for the towing vehicle.

### ***Trailer Weight Range***

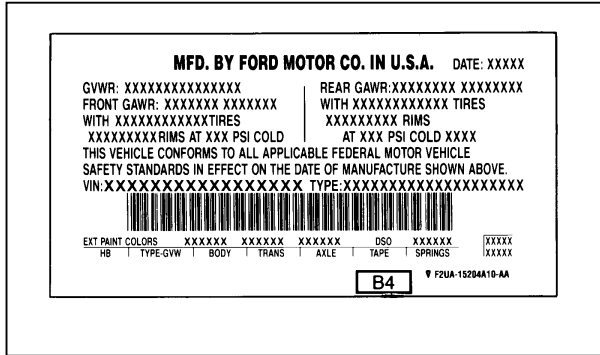
The trailer weight range is a specified range by weight, which the trailer must fall within, ranging from zero to the maximum trailer weight rating.

### **Calculating The Load**

To know how much weight your vehicle can carry:

- Obtain ratings from your Safety Compliance Certification Label, and the Trailer towing specifications in the owner guide (refer to the Index)
  - Refer to the following sample illustration to locate the various ratings on your Safety Compliance Certification Label.
  - If you do not plan on pulling a trailer, do not include these ratings into your calculations.

- Weigh your vehicle as you customarily operate the vehicle without cargo.
- Subtract the total weight of passengers, driver and optional equipment added by the factory, dealer or aftermarket supplier to determine how much cargo weight you can carry.



Sample label

If you suspect that your payload is excessive, have your vehicle weighed at a highway weigh station or appropriate commercial facility. Weigh the total vehicle and trailer (if applicable), then separately weigh the vehicle at the front and rear wheels. And finally, weigh the trailer separately if applicable.

Use this chart to perform your calculations.

### Actual Weights



GAW Front \_\_\_\_\_

GAW Rear \_\_\_\_\_

GAW Trailer \_\_\_\_\_

GVW (GAW Front & Rear) \_\_\_\_\_

GCW (Gross Combined Weight)  
(GAW Front & Rear & Trailer) \_\_\_\_\_

Refer to your owner manual charts to find the maximum  
GCWR for your type of engine and rear axle ratio.

Ratings	Actual	Load Capacity Available
GAWR F _____	_____	_____
R _____	_____	_____
GVWR _____	_____	_____
GCWR _____	_____	_____

Subtract the actual weights from the ratings to determine the available cargo load capacity.

**NOTE: The Truck Safety Compliance Certification Label has two weight related entries that sometimes cause confusion.**

Front Axle Reserve Capacity in Pounds (kgs): On the sample label, this value is given as 83 pounds (38 kgs). Does this mean that you are limited to adding only 83 pounds (38 kgs) of accessories to the front end capacity? Not exactly. This says that you can load 83 pounds (38 kgs) of options on the front axle, add 150

pound (68 kgs) passengers to all seating positions, and add evenly distributed cargo in the box without exceeding the GAWR F.

It is possible to hang heavier equipment on the front as long as the vehicle owner/operator compensates. This can be accomplished, if necessary, by carrying fewer passengers, less cargo or positioning cargo more toward the rear, which has the effect of reducing the load on the front. Keep in mind that the GAWR F, GAWR R, nor the GVWR should ever be exceeded.

Total Accessory Reserve Capacity in Pounds (kgs): On the sample label this value is given as 112 pounds (51 kgs). This is a number that is related to government crash test standards, and only indirectly reflects on the amount of accessory weight that can be carried.

In the case of both these numbers (83 and 112 pounds) (38 and 51 kgs), the important thing to remember is that for safe operation, an owner/operator should calculate the amount and the distribution of all weights (passengers, accessory equipment and cargo). These combined weights should fall below the vehicle's GVWR and GAWR.

## **Trailers**

Towing a trailer safely means having the proper weight on the tongue (usually 10% of the trailer weight). Load-equalizing hitches on large rigs may transfer weight to each of the vehicle's axles. This weight must be included in capacity calculations when determining if the vehicle is loaded within safe limits.

If your vehicle exceeds the GVWR, remove cargo from your vehicle accordingly. If your vehicle exceeds the GAWR for either axle, shift the load or remove cargo accordingly.

**⚠️ WARNING**

**If the GVWR or the GAWR specified on the Safety Compliance Certification Label is exceeded, your vehicle may be damaged or you may lose control and injure someone.**

**⚠️ WARNING**

**Towing trailers beyond the maximum recommended gross trailer weight could result in engine damage, transmission/axle damage, structural damage, loss of control, and personal injury.**

Use the Safety Compliance Certification Label to find the axle code number and the engine type for your vehicle.

Use the appropriate Maximum Gross Combined Weight Rating (GCWR) chart to find the Maximum GCWR for your type engine and rear axle ratio.


Subtract your Loaded Vehicle Weight from the Maximum GCWR found in the chart. This is the maximum trailer weight your vehicle can tow and must fall below the maximum shown under Trailer Weight on the chart.

**MFD. BY FORD MOTOR CO. IN U.S.A.**    DATE: XXXXX

GVWR: XXXXXXXXXXXXXXXX    REAR GAWR: XXXXXXXX XXXXXXXX  
 FRONT GAWR: XXXXXXXX XXXXXXXX    WITH XXXXXXXXXXXXXXXX TIRES  
 WITH XXXXXXXXXXXXXXXX TIRES    XXXXXXXXXXXX RIMS  
 XXXXXXXXXXXX RIMS AT XXX PSI COLD    AT XXX PSI COLD XXXX

THIS VEHICLE CONFORMS TO ALL APPLICABLE FEDERAL MOTOR VEHICLE  
 SAFETY STANDARDS IN EFFECT ON THE DATE OF MANUFACTURE SHOWN ABOVE.

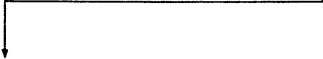
VIN: XXXXXXXXXXXXXXXX    TYPE: XXXXXXXXXXXXXXXX



EXT PAINT COLORS    XXXXXX    XXXXXX    XXXXXX    DSO    XXXXXX    XXXXX  
 HB    TYPE-GVW    BODY    TRANS    AXLE    TAPE    SPRINGS

**B4**    ▼ F2UA-1S204A10-AA

\*First two digits  
refer to Rear axle.



**Rear Axle Codes**

Code	Description	Capacity		Ratio
		Lbs.	Kgs	
<b>E-150 – E-250 – E-350 Conventional</b>				
12	Ford	3,800	1,723	2.73
17	Ford	3,800	1,723	3.31
18	Ford	3,800	1,723	3.08
19	Ford	3,800	1,723	3.55
23	Dana	5,400	2,450	3.54
24	Dana	5,400	2,450	3.73
32	Dana	6,340	2,875	4.10
33	Dana	6,340	2,875	3.54
34	Dana	6,340	2,875	3.73
35	Dana	6,340	2,875	4.09
39	Dana	6,340	2,875	3.55
52	Dana	7,800	3,538	4.10
56	Dana	7,800	3,528	4.10
62	Dana	8,000	3,629	4.10
84	Dana	9,450	4,288	4.63

**Rear Axle Codes (Cont'd)**

Code	Description	Capacity		Ratio
		Lbs.	Kgs	
<b>E-150 – E-250 – E-350 Limited Slip</b>				
B4	Dana	5,400	2,450	3.73
C2	Dana	6,340	2,875	4.10
C3	Dana	6,340	2,875	3.54
C4	Dana	6,340	2,875	3.73
C5	Dana	6,340	2,875	4.09
C9	Dana	6,340	2,875	3.55
E2	Dana	7,800	3,538	4.10
E6	Dana	7,800	3,538	4.10
F2	Dana	8,000	3,629	4.10
H7	Ford	3,800	1,723	3.31
H8	Ford	3,800	1,723	3.08
H9	Ford	3,800	1,723	3.55

**Engine Type, Displacement, Cylinders,  
Fuel Type, and Manufacturer  
(VIN Position 8)**

1 F T E F 2 5 **N** 5 G L A 0 0 0 1

VIN Code	Displacement		Cylinders	Fuel	Manufacturer
	Liter	CID			
Y	4.9	300	I-6	Gasoline	Ford
N	5.0	302	V-8	Gasoline	Ford
H	5.8	351	V-8	Gasoline	Ford
M	7.3	445	V-8	Diesel	Navistar
G	7.5	460	V-8	Gasoline	Ford

## Automatic Transmissions

TRAILER TOWING TABLE AUTOMATIC TRANSMISSION				
GCWR (Gross Combined Weight Rating)/Trailer Weights				
Engine (EFI)	Rear Axle Ratio	Maximum GCWR Lb (Kg)	Trailer Weight Range Lb (Kg) (0-Maximum)	Maximum Frontal Area of Trailer Ft <sup>2</sup>
<b>REGULAR VAN E-150</b>				
4.9L	3.08	9,000 (4,082)	0-4,100 (0-1,860)	60
4.9L	3.31	10,000 (4,536)	0-5,000 (0-2,268)	60
4.9L	3.55	10,000 (4,536)	0-5,000 (0-2,268)	60
5.0L	3.31	11,500 (5,216)	0-6,600 (0-2,994)	60
5.8L	3.55	12,000 (5,443)	0-7,000 (0-3,175)	60
<b>REGULAR VAN E-250</b>				
4.9L	3.54	10,000 (4,536)	0-4,700 (0-2,132)	60
4.9L	3.73	10,500 (4,763)	0-5,100 (0-2,313)	60
5.8L	3.73	13,000 (5,897)	0-7,600 (0-3,447)	60
<b>REGULAR VAN E-250 HD</b>				
4.9L	3.54	10,000 (4,536)	0-4,700 (0-2,132)	60
4.9L	3.73	10,500 (4,763)	0-5,100 (0-2,313)	60
5.8L	3.73	13,000 (5,897)	0-7,500 (0-3,402)	60



TRAILER TOWING TABLE (Cont'd) AUTOMATIC TRANSMISSION				
GCWR (Gross Combined Weight Rating)/Trailer Weights				
Engine (EFI)	Rear Axle Ratio	Maximum GCWR Lb (Kg)	Trailer Weight Range Lb (Kg) (0-Maximum)	Maximum Frontal Area of Trailer Ft <sup>2</sup>
<b>REGULAR VAN E-350</b>				
4.9L	3.73	10,500 (4,763)	0-5,100 (0-2,313)	60
5.8L	3.54	12,000 (5,443)	0-6,400 (0-2,903)	60
5.8L	4.09	13,000 (5,897)	0-7,200 (0-3,266)	60
7.3L (Diesel)	3.55	16,000 (7,258)	0-9,900 (0-4,491)	60
7.3L (Diesel)	4.10	20,000 (9,072)	0-10,000 (0-4,536)	60
7.5L	3.55	15,000 (6,804)	0-9,200 (0-4,173)	60
7.5L	4.10	18,500 (8,392)	0-10,000 (0-4,536)	60
<b>SUPER VAN E-250</b>				
4.9L	3.54	10,000 (4,536)	0-4,600 (0-2,087)	60
4.9L	3.73	10,500 (4,763)	0-5,000 (0-2,268)	60
4.9L	3.73	13,000 (5,897)	0-7,400 (0-3,357)	60
<b>SUPER VAN E-250 HD</b>				
4.9L	3.54	10,000 (4,536)	0-4,600 (0-2,087)	60
4.9L	3.73	10,500 (4,763)	0-5,000 (0-2,268)	60
5.8L	3.73	13,000 (5,897)	0-7,400 (0-3,357)	60

<b>TRAILER TOWING TABLE (Cont'd)</b>				
<b>AUTOMATIC TRANSMISSION</b>				
<b>GCWR (Gross Combined Weight Rating)/Trailer Weights</b>				
<b>Engine (EFI)</b>	<b>Rear Axle Ratio</b>	<b>Maximum GCWR Lb (Kg)</b>	<b>Trailer Weight Range Lb (Kg) (0-Maximum)</b>	<b>Maximum Frontal Area of Trailer Ft<sup>2</sup></b>
<b>SUPER VAN E-350</b>				
4.9L	3.73	10,500 (4,763)	0-4,900 (0-2,223)	60
5.8L	3.54	12,000 (5,443)	6,200 (2,812)	60
5.8L	4.09	13,000 (5,897)	0-7,200 (0-3,266)	60
7.3L (Diesel)	3.55	16,000 (7,258)	0-9,700 (0-4,400)	60
7.3L (Diesel)	4.10	20,000 (9,072)	0-10,000 (0-4,536)	60
7.5L	3.55	15,000 (6,804)	9,000 (4,082)	60
7.5L	4.10	18,500 (8,392)	0-10,000 (0-4,536)	60
<b>CLUB WAGON – REGULAR E-150</b>				
4.9L	3.31	10,000 (4,536)	0-4,700 (0-2,132)	60
4.9L	3.55	10,000 (4,536)	0-4,700 (0-2,132)	60
5.0L	3.31	11,500 (5,216)	0-6,200 (0-2,812)	60
5.8L	3.55	12,000 (5,443)	0-6,600 (0-2,994)	60

<b>TRAILER TOWING TABLE (Cont'd)</b>				
<b>AUTOMATIC TRANSMISSION</b>				
<b>GCWR (Gross Combined Weight Rating)/Trailer Weights</b>				
<b>Engine (EFI)</b>	<b>Rear Axle Ratio</b>	<b>Maximum GCWR Lb (Kg)</b>	<b>Trailer Weight Range Lb (Kg) (0-Maximum)</b>	<b>Maximum Frontal Area of Trailer Ft<sup>2</sup></b>
<b>CLUB WAGON – HD REGULAR E-350</b>				
4.9L	3.73	10,500 (4,763)	0-4,700 (0-2,132)	60
5.8L	3.54	12,000 (5,443)	0-6,000 (0-2,722)	60
5.8L	4.09	13,000 (5,897)	0-7,000 (0-3,175)	60
7.3L	3.55	16,000 (7,258)	0-9,500 (0-4,309)	60
7.3L	4.10	20,000 (9,072)	0-10,000 (0-4,536)	60
7.5L	3.55	15,000 (6,804)	0-8,800 (0-3,992)	60
7.5L	4.10	18,500 (8,392)	0-10,000 (0-4,536)	60

TRAILER TOWING TABLE (Cont'd) AUTOMATIC TRANSMISSION				
GCWR (Gross Combined Weight Rating)/Trailer Weights				
Engine (EFI)	Rear Axle Ratio	Maximum GCWR Lb (Kg)	Trailer Weight Range Lb (Kg) (0-Maximum)	Maximum Frontal Area of Trailer Ft <sup>2</sup>
<b>CLUB WAGON – SUPER E-350</b>				
4.9L	3.73	10,500 (4,763)	0-4,400 (0-1,996)	60
5.8L	3.54	12,000 (5,443)	0-5,700 (0-2,586)	60
5.8L	4.09	13,000 (5,897)	0-6,700 (0-3,039)	60
7.3L (Diesel)	3.55	16,000 (7,258)	0-9,200 (0-4,173)	60
7.3L (Diesel)	4.10	20,000 (9,072)	0-10,000 (0-4,536)	60
7.5L	3.55	15,000 (6,804)	0-8,500 (0-3,856)	60
7.5L	4.10	18,500 (8,392)	0-10,000 (0-4,536)	60
<b>E-SUPER DUTY</b>				
7.3L	4.63	20,000 (9,072)	0-10,000 (0-4,536)	60
7.5L	4.63	20,000 (9,072)	0-10,000 (0-4,536)	60
<b>NOTES:</b>				
<ul style="list-style-type: none"> <li>① Available in California only.</li> <li>- For high altitude operation, reduce GCW by 2% per 1,000 ft. (300 meters) elevation.</li> <li>- For definition of terms used in this table see 'UNDERSTANDING LOADING/TOWING INFORMATION' earlier in this section.</li> <li>- To determine the maximum trailer weight designed for your particular vehicle as equipped, follow the section called 'CALCULATING THE LOAD' earlier in this section.</li> <li>- Maximum trailer weights shown. The combined weight of the completed towing vehicle (including hitch, passengers and cargo) and the loaded trailer must not exceed the Gross Combined Weight Rating (GCWR).</li> </ul>				

### ***Required equipment***

- Super Cooling is required with trailers over 2,000 lb (907 kg).
- Super Cooling and Handling/Suspension Package or trailer towing package is required with trailers over 3,500 lb (1587 kg).

### **Preparing to Tow**

For your safety and for the good of your vehicle, use the right equipment for the type of trailer you tow. Also, make sure that all towing equipment is properly attached to your vehicle. If you are not certain that you are using the right equipment in the proper manner, see your Ford or Lincoln-Mercury dealer.

### ***Hitches***

For towing trailers up to 2,000 lb (907 kg), use a weight carrying hitch and ball which uniformly distributes the trailer tongue loads through the underbody structure. Use a frame-mounted weight distributing hitch for trailers over 2,000 lb (907 kg).

Do not use single clamp bumper hitches or hitches which attach to the axle. Provisions for multi-clamp type temporary bumper hitch have been provided (Class I, max. loading), if installed properly. Follow towing instructions of a reputable rental agency.

Whenever a trailer hitch and hardware are removed, make sure all mounting holes in the underbody are properly sealed to prevent noxious gases or water from entering.

### ***Trailer Tow/Step bumper***

The step bumper has a built-in hitch and only requires a ball with a one inch shank diameter. The step bumper has a limited Class III capability (5000 lb/2270 kg) trailer weight and 500 lb/227 kg tongue weight.

### ***Safety Chains***

Always use safety chains between your vehicle and trailer. Cross chains under the trailer tongue and allow slack for turning corners. Connect safety chains to the vehicle frame or hook retainers. Never attach chains to the bumper.

Located near the step bumper hitch ball position are two holes in the hitch plate for a Class III trailer (max). These holes may be used for safety chain attachment when towing with a step bumper. Always use safety chains when towing. Safety chains are used to retain connection between the towing and towed vehicle in the event of separation of the trailer coupling or ball. Cross the chains under the trailer tongue and allow slack for turning corners. Connect the chain to the hitch plate using a positive coupling, such as “Quick Links”, with a strength rating of at least that of the safety chain rating.

### ***Trailer Brakes***

Separate trailer brakes are required on most towed vehicles weighing over 1,500 lb (680 kg).

 <b>WARNING</b>
<b>Do not connect a trailer's hydraulic brake system directly to your vehicle's brake system. Your vehicle may not have enough braking power and your chances of having a collision greatly increase.</b>

### ***Trailer lamps***

Make sure your trailer lamps conform to Federal and local regulations.

Class I and Class II Trailer Tow electrical wiring provides two circuits (right hand and left hand) to operate trailer stop/turn tail lamps. Each stop/turn circuit will operate one combination stop/turn light bulb (#1157, 3157, 2357, or 3357) on the trailer. Never add more than one trailer light bulb to one circuit.

<b>⚠ WARNING</b>
<b>Always replace a fuse with one that has the specified amperage rating. Using a fuse with a higher amperage rating can cause severe wire damage and could start a fire.</b>

### **Driving While You Tow**

Be especially careful when driving while you tow a trailer. Never drive faster than 45 mph (70 km/h) when you tow in hilly country on hot days. Also, anticipate stops so that you can brake gradually.

If you use the speed control while you are towing on very long, steep grades, the speed control may shut off.

If your vehicle is equipped with an Electronic 4-Speed Automatic (E4OD or 4R70W) transmission, operate in Overdrive. Refer to the automatic transmission operation earlier in this chapter.

When descending a steep grade with a trailer, operate in Drive rather than Overdrive. If additional braking is needed, shift the automatic transmission gearshift into 2 (Second) gear or 1 (Low).

## **Servicing your vehicle if you tow**

If you tow a trailer for a long distance, your vehicle will need to be serviced more frequently than usual. Refer to the *Maintenance Schedule and Record* booklet for additional information.

### **Trailer towing tips**

Before starting on a trip, practice turning, stopping and backing in an area away from heavy traffic. Get to know the “feel” of the vehicle/trailer combination.

Practice backing up. Back up very slowly, with someone outside at the rear of your trailer to guide you. Place your hand at the bottom of the steering wheel and move it in the direction you want the rear of the trailer to swing. Slight movement of the steering wheel results in a much larger movement of the rear of the trailer.

Allow more room for stopping with a trailer attached. Trailer brakes should be applied first, whether manually or automatically controlled, when approaching a stop.

For a good handling truck-trailer combination, the trailer tongue load should be approximately 10-15% of the loaded trailer weight.

Make a thorough check of your equipment before starting out on the road. After you have traveled about 50 miles (80 km) stop in a protected area and double-check your hitch and electrical connections. Also check trailer wheel lug nuts for tightness.

When turning, drive slightly beyond the normal turning point so the trailer wheels will clear curbs or other obstructions.



When stopped in traffic for long periods of time in hot weather, place the gearshift selector lever in P (Park) to increase the engine idle speed. This aids in engine cooling and air conditioner efficiency. If the engine overheats, move the Function Selector Lever to VENT to stop the compressor and increase the engine speed for a short time.

Vehicles with trailers should not be parked on a grade. However, if you must park on a grade, place wheel chocks under the trailer's wheels as follows:

- Apply the brake pedal and hold.
- Have another person place the wheel chocks under the trailer wheels.
- With the chocks in place, release the foot service brakes, making sure the chocks are holding.
- Apply the parking brake by pressing the service brake pedal down firmly with your right foot while applying the parking brake pedal with your left foot.
- Shift the gearshift lever into P (Park).

To start, after being parked on a grade:

- Apply the foot service brakes and hold
- Start the engine
- Shift transmission into gear and release the parking brake
- Release the foot service brakes and move the vehicle uphill to free the wheel chocks
- Apply the brake pedal and hold while another person retrieves the chocks.

**NOTE: Diesel equipped vehicles not recommended for snow plowing.**

---

# Roadside Emergencies

---

## Jump-Starting Your Vehicle

**NOTE:** Read the *7.3L Diesel Engine Owner's Guide Supplement* for information on jump-starting your diesel-powered light truck.

Your vehicle's battery may die if you leave the lights on or any electrical equipment on after you turn the engine off. If this happens, you may be able to jump-start from a booster battery to start your vehicle.

**⚠ WARNING**

The gases around the battery can explode if exposed to flames, sparks, or lit cigarettes. An explosion could result in injury or vehicle damage.

**⚠ WARNING**

To protect yourself when charging a battery, always shield your face and eyes. Make sure that you can breathe fresh air.

**⚠ WARNING**

Applying too much pressure on the ends when lifting a battery could cause acid to spill. Lift the battery with a carrier or with your hands on the opposite corners.

**⚠ WARNING**

**Batteries contain sulfuric acid which burns skin, eyes, and clothing.**

If the acid touches someone's skin, eyes, or clothing, immediately flush the area with water for at least 15 minutes. If someone swallows the acid, have him or her drink lots of milk or water first, then Milk of Magnesia, a beaten egg, or vegetable oil. Call a doctor immediately.

**⚠ WARNING**

**Do not push-start your vehicle. You could damage the catalytic converter. For further information, see *Jumper Cables* in the Index.**

To avoid damaging your vehicle or your battery, and to avoid injury to yourself, follow these directions for preparing your vehicle to jump-start and connecting the jumper cables in the order they are given. If in doubt, call for road service.

### **Preparing Your Vehicle**

1. Your vehicle has a 12-volt starting system, so you need to use a 12-volt jumper system. You will damage your starting motor, ignition system, and other electrical parts if you connect them to a 24-volt power supply (either two 12-volt batteries in series or a 24-volt generator set).
2. Do not disconnect the battery of the disabled vehicle. You could damage the vehicle's electrical system.

3. Park the booster vehicle close to the hood of the disabled vehicle. **Make sure the vehicles do not touch each other.** Set the parking brake on both vehicles and stay clear of the engine cooling fan and other moving parts.
4. Check all battery terminals and remove any excessive corrosion before you attach the jumper cables.
5. Turn on the heater fan in both vehicles. Turning on the fan helps protect the electrical system from voltage surges. Turn off all other switches and lights in both vehicles to prevent possible damage to either vehicle's electrical systems.

### ***Connecting the jumper cables***

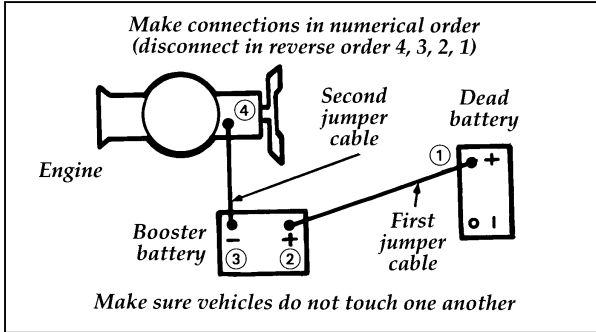
1. Connect one end of the first jumper cable to the positive (+) terminal of the discharged battery. (You can connect either jumper cable to the positive (+) terminal, as long as you use the same cable for both positive terminals.) Most jumper cables have a red cable and a black cable. The red cable is generally used for the positive terminals and the black for the negative ones.

**NOTE: DO NOT jump-start your auxilliary battery.**

2. Connect the other end of the first cable to the positive (+) terminal of the booster battery.
3. Connect one end of the second cable to the negative (-) terminal of the booster battery — NOT to the discharged battery.
4. Connect the other end of the second cable to a good metallic surface on the engine or frame of the disabled vehicle.

**⚠ WARNING**

**Do not connect the end of the second cable to the negative (-) terminal of the battery to be jumped. A spark may cause an explosion of the gases that surround the battery.**



Attaching jumper cables

### Jump-Starting

1. Make sure that the jumper cables are not in the way of moving engine parts, then start the booster vehicle. Run the engine at a moderate speed.
2. Let the discharged battery charge for a few minutes and then start the disabled vehicle. It may take a couple of tries before the vehicle starts. If the vehicle does not start after several attempts, there may be a different problem.
3. When both vehicles are running, let them idle for a few minutes to charge the discharged battery.

### ***Removing jumper cables***

1. **Always remove the jumper cables in the reverse order.** Remove the negative (–) end of the jumper cable from the metallic surface on the engine or frame of the disabled vehicle.
2. Remove the negative (–) cable from the booster battery.
3. Remove the positive (+) cable from the booster battery.
4. Remove the other end of the positive (+) cable from the discharged battery.

After the vehicle is started, let it idle for a while to let the engine “relearn” its idle conditions. Drive it around for a while with all electrical accessories turned off to let the battery recharge. **You may need to use a battery charger to fully recharge the battery.**

If you need to replace your battery, see *Battery* in the *Servicing Your Vehicle* chapter.

### **Changing a Tire**

If you get a flat tire while you are driving, do not apply the brake heavily. Instead, gradually decrease the speed. Hold the steering wheel firmly and slowly move to a safe place on the side of the road. Park on a level spot, turn off the ignition, set the parking brake, and turn on the hazard flashers.

#### **The Conventional Spare Tire**

If you have the conventional spare tire, you can use it as a spare or as a regular tire. This spare tire is identical to the other tires that come with your vehicle, although the wheel may not match.

**⚠ WARNING**

**To avoid injury, never run the engine with one wheel off the ground, such as when changing a tire.**

Extended use of other than matching size spare tires on a Traction-Lok axle could result in a permanent reduction in effectiveness. This loss of effectiveness does not affect normal driving and should not be noticeable to the driver.

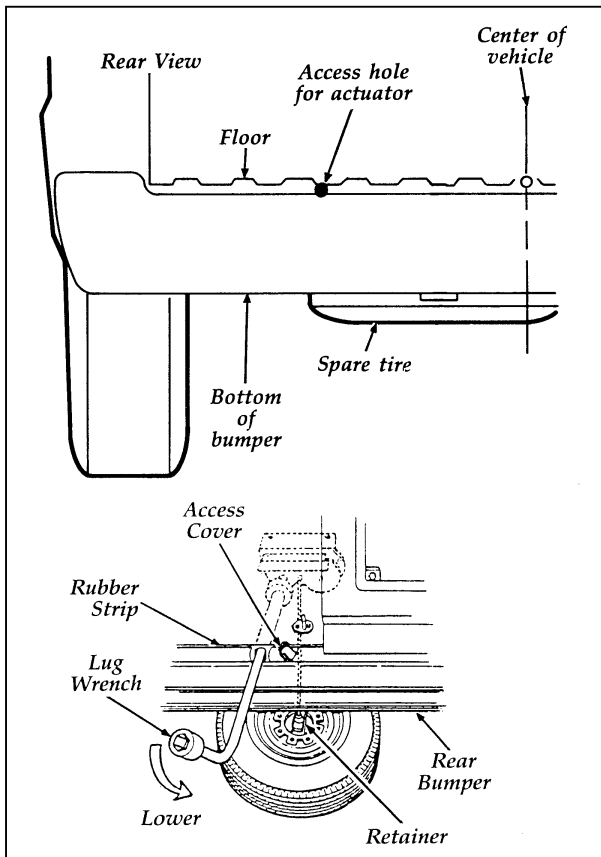
### **Spare Tire Location**

The spare tire for your vehicle is stowed at the rear under the frame (except cutaway and stripped chassis models).

#### ***To remove the spare tire:***

1. Open both of the rear doors. Remove the access cover from the rubber strip found behind the left door. Insert tapered end of lug wrench or tip of jack handle through the access hole. Turn counterclockwise until the cable extends enough to allow the spare tire to be pulled rearward from under the vehicle.
2. Slide the spare tire to the rear and remove the retainer from the wheel.
3. To stow the cable/retainer with spare removed, turn jack handle wrench clockwise until slack is removed.





The spare tire location and assembly

**To stow spare tire:**

1. Insert the jack handle or lug nut wrench into the actuator hole and turn counterclockwise until the cable/retainer is extended for insertion into the wheel.
2. Install the retainer through wheel center with valve stem facing up.

**NOTE: Stow aluminum wheel and tire with valve stem down.**

3. Rotate the handle clockwise to secure tire. Continue until the lift mechanism “slips”.
4. Check for proper seating against underbody supports and retighten if necessary.

**⚠ WARNING**

**Make sure the spare tire and jacking equipment are stowed and secured in the proper storage location.**

### **Preparing to Change the Tire**

**NOTE: To lift your vehicle by other than the front or rear jacking points, be sure to use only hoist adapters with a wide contact surface.**

1. Make sure that your vehicle will not move or roll. Put the gearshift in P (Park). Set the parking brake and block the wheel that is diagonally opposite the tire that you are changing.

When one of the back wheels is off the ground, the transmission alone will not prevent the vehicle from moving or slipping off the jack, even if the vehicle is in P (Park). To prevent the vehicle from moving when you change a tire, be sure the parking brake is set, then block the wheel (both directions) that is diagonally opposite (other side and end of the vehicle) to the tire being changed.

**⚠ WARNING**

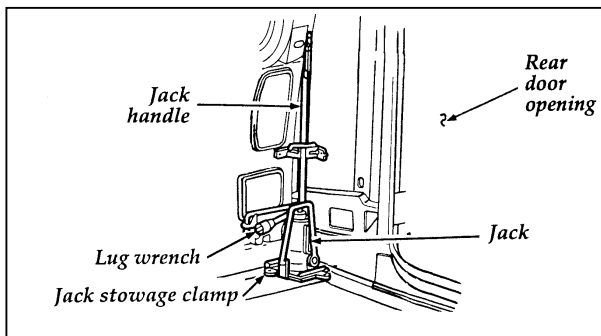
**If the vehicle slips off the jack, you or someone else could be seriously injured.**

**⚠ WARNING**

**On E-Super Duty vehicles, the parking brake is on the transmission. Therefore, the vehicle will not be prevented from moving when a rear wheel is lifted, even if the vehicle is in Park and the parking brake is applied. Be sure to block both directions of the wheel that is diagonally opposite to the wheel that is being lifted. If the vehicle slips off the jack, someone could be seriously injured.**

2. Get out the spare tire and jack.

The jack, jack handle and lug nut wrench are stowed as shown below.



**Jack handle and wrench stowage**

3. Use the tapered end of the lug nut wrench to unscrew wheel ornaments attached by retaining screws. Remove any wheel trim. Insert the tapered end of the lug nut wrench behind wheel covers or hubcaps and twist off.

4. Loosen the wheel nuts by pulling up on the handle of the lug nut wrench about one-half turn (counterclockwise). Do not remove the wheel lug nuts until you raise the tire off the ground.

### **Removing and Replacing the Tire**

1. Unfold the jack handle and lock into the jack. Use the jack handle to slide the jack under the vehicle.

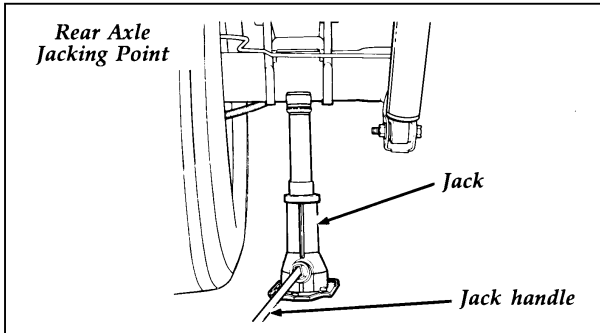
 <b>WARNING</b>
--

<b>To avoid injury, never run the engine with one wheel off the ground, such as when changing a tire.</b>
---

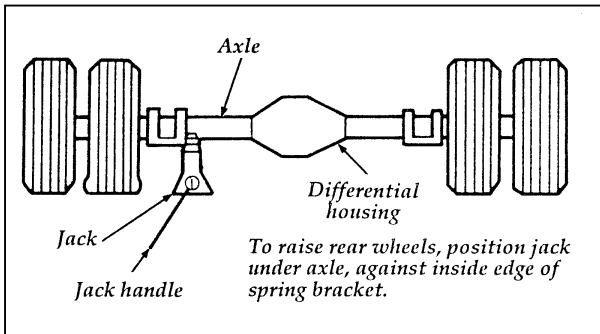
 <b>WARNING</b>
--

<b>To lessen the risk of personal injury, do not put any part of your body under the vehicle while changing a tire. Do not start the engine when your vehicle is on the jack. The jack is only meant for changing the tire.</b>
---

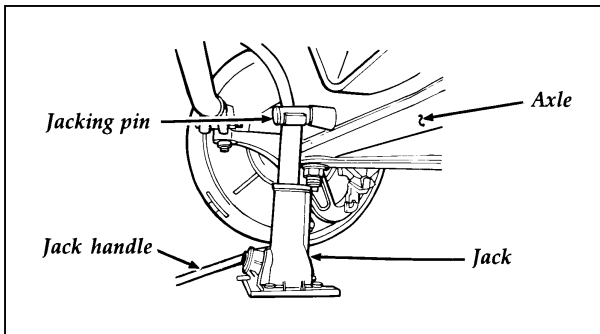
2. Positioning the jack
  - a. To raise a front or rear wheel, place the jack as shown in the following illustrations.



**Jacking point (All models except E-Super Duty)**

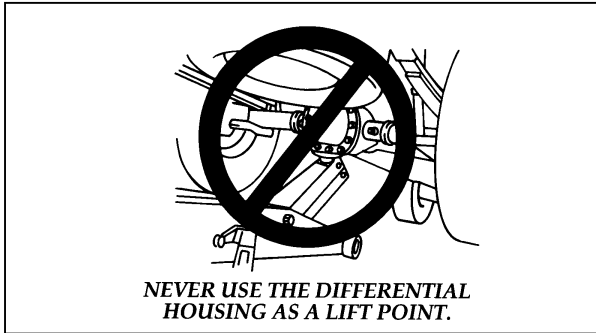


**Jacking point (E-Super Duty)**



**Instructions for jacking a wheel — All models**

- b. Turn the jack handle clockwise until the wheel is completely off the ground.

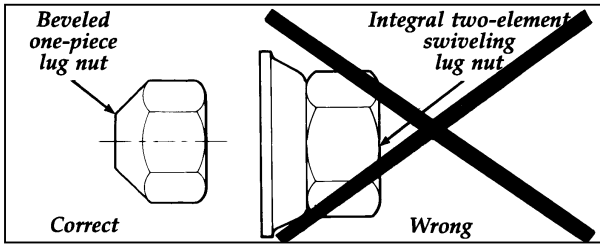


3. Remove the lug nuts with the lug nut wrench.
4. Replace the flat tire with the spare tire.

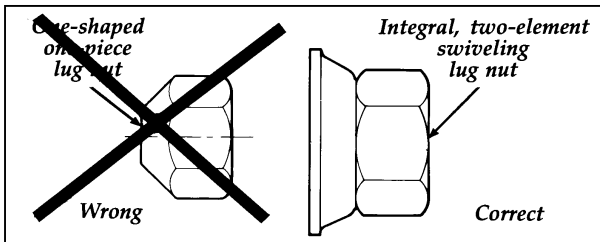
If your vehicle has dual rear wheels, there are locating pins on the hubs and wheels with corresponding holes. When you put the wheel back on, make sure the pins are lined up with the proper holes.

If your vehicle has single rear wheels, thread the lug nuts on the wheel studs with the beveled face toward the wheel. Use the lug nut wrench to screw the lug nut snugly against the wheel but do not tighten.

If your vehicle has dual rear wheels, thread the two-element swiveling lug nut on the wheel studs with the flange face toward the wheel. Use the lug nut wrench to screw the lug nut snugly against the wheel but do not tighten.

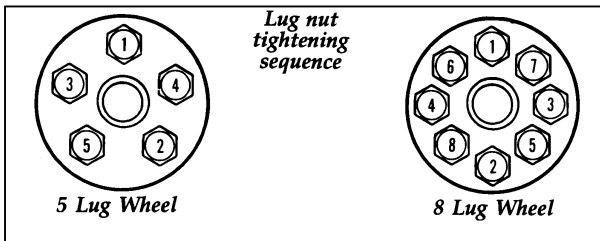


Single rear wheel nut



Dual rear wheel nut

5. Lower the vehicle by turning the jack handle counterclockwise.
6. Remove the jack and fully tighten the lug nuts in the order shown in the following illustration.



Lug nut tightening sequence

**⚠ WARNING**

**Use of wheels or lug nuts other than original equipment could cause damage to the wheel or mounting system and allow the wheels to come off while the vehicle is in motion.**

7. Replace any wheel covers, ornaments, or hub caps that your vehicle has. Make sure that they are screwed or snapped into place.
8. Put the tire, jack, and wrench away. (Make sure jack is securely fastened so it doesn't rattle when you drive.) The carrier is designed to hold the temporary spare which comes with your vehicle. The stowage of a full size tire in the spare tire carrier may damage the tire or the vehicle. The flat full size tire should be stowed securely in the vehicle until it can be repaired.
9. Unblock the wheels.

On vehicles equipped with dual rear wheels retighten the wheel lug nuts to the specified torque at 100 miles (160 km), and again at 500 miles (800 km) of new vehicle operation and at the intervals specified in the *Maintenance Schedule and Record* booklet.

Also retighten to the specified torque at 500 miles (800 km) of operation after any wheel change or any time the lug nuts are loosened.

**⚠ WARNING**

**Failure to retighten wheel lug nuts at mileages specified could allow wheels to come off while the vehicle is in motion.**



Model	Bolt Size	Wheel Lug Nut Torque*	
		Ft-Lb	N•m
E-150	1/2-20	100	135
E-250, E-350 (Single Rear Wheel Vehicles)	9/16-18	140	190
E-350 and E-Super Duty (Dual Rear Wheel Vehicles)	9/16-18	140	190
* Torque specifications are for nut and bolt threads free of dirt and rust. Do not use oil or grease on threads. Use only Ford recommended replacement fasteners.			

## If the Engine Cranks But Does Not Start or Does Not Start After a Collision

### The Fuel Pump Shut-off Switch

If the engine cranks but does not start or if you have had a collision, the fuel pump shut-off switch may have been triggered. The shut-off switch is a device that stops the fuel pump when your vehicle has been involved in a substantial jolt.

For information on how to check and reset the fuel pump shut-off switch, see *Fuel pump shut-off switch* in the Index.

## Towing Your Vehicle

The recommended method to tow your Econoline is with flatbed or wheel lift equipment. However, slingbelt towing is acceptable. On vehicles equipped with an air dam, the towbar will deform the rubber air dam.

 <b>WARNING</b>
--

<p><b>Never use a tow bar that attaches to the bumper when you tow your vehicle. This could damage the bumper and cause an accident.</b></p>
--

---

# Customer Assistance

---

## Roadside Assistance

Ford Motor Company has set up a 24-hour, seven-day-a-week hotline with trained operators that put you in touch with the help you need if you experience a problem with your vehicle. This complimentary service is provided to you throughout your warranty period of 3 years or 36,000 miles (60,000 km), whichever comes first. To purchase Roadside Assistance coverages beyond this period (available through Ford Auto Club in the United States or Ford and Lincoln-Mercury dealers in Canada), contact your Ford or Lincoln-Mercury dealer.

Roadside Assistance will cover the following:

- Mount your spare if you have a flat tire.
- Jump-start your battery if it is dead.
- Unlock your vehicle if you are locked out.
- Bring you fuel if you run out.
- Tow your vehicle if you are stranded. Even non-warranty related tows, like accidents or getting stuck in mud or snow, are covered (some exclusions apply, such as impound towing and repossession).

## **How to use Roadside Assistance**

Your Roadside Assistance identification card can be found in the Owner Guide portfolio in your glove compartment. Complete the card and place it in your wallet for quick reference.

To receive roadside assistance in the United States call 1-800-241-FORD (in Canada call 1-800-665-2006).

Should you need to arrange for roadside assistance yourself, Ford Motor Company will reimburse the reasonable cost. To obtain information about reimbursement call 1-800-241-FORD (in Canada call 1-800-665-2006).

## **If You Have a Service Problem**

Ford Motor Company has authorized Ford and Lincoln-Mercury dealerships that can service your vehicle for you. This chapter tells you how to get service or maintenance for your vehicle.

### **Service/Maintenance Concerns (U.S. or Canada)**

Ford recommends taking your vehicle to your selling dealer who wants to ensure your continued satisfaction. You may, however, take your vehicle to any authorized Ford or Lincoln-Mercury dealer. In most cases, your dealer will be able to resolve your concern.

If you are not satisfied with the service you received from your dealership's service department, talk to the service manager at the dealership. If you still are not satisfied, talk to the owner or general manager of the dealership. In most cases, you will have your concern resolved at this level.

If you are away from home when your vehicle needs to be serviced, or if you need more help than the dealer gave you, contact the Ford Customer Assistance Center to find an authorized dealership that may be able to help.

In the U.S., contact:

*Ford Motor Company  
Customer Assistance Center  
300 Renaissance Center  
P.O. Box 43360  
Detroit, Michigan 48243  
1-800-392-3673 (FORD)  
TDD for the hearing impaired: 1-800-232-5952*

If you live in Canada and have any questions or concerns that the dealership cannot answer, contact the Customer Assistance Centre.

*Customer Assistance Centre  
Ford Motor Company of Canada, Limited  
P.O. Box 2000  
Oakville, Ontario L6J 5E4  
1-800-565-3673 (FORD)*

Please have the following information available when contacting Ford Customer Assistance:

- your telephone number (both business and home)
- the name of the dealer and the city where the dealership is located
- the year and make of your vehicle
- the date purchased
- the current mileage on your vehicle
- your Vehicle Identification Number (VIN) (listed on your owner card)

If you still have a service or product complaint, you may wish to contact the Dispute Settlement Board (U.S. only) or the Canadian Motor Vehicle Arbitration Plan (CAMVAP) in Canada.

## **The Dispute Settlement Board (U.S. Only)**

The Dispute Settlement Board is a voluntary, independent dispute-settlement program available free to owners or lessees of qualifying Ford Motor Company vehicles.

The Dispute Settlement Board may not be available in all states. Ford Motor Company reserves the right to change eligibility limitations, modify procedures and/or to discontinue this process at any time without notice and without incurring obligations.

### **What Kind of Cases Does the Board Review?**

The Board reviews all product performance and service complaints on Ford, Mercury and Lincoln Cars and Ford and Mercury Light Trucks under warranty that have not been resolved by a dealer or Ford Motor Company.

The Board does not review issues involving:

- A non-Ford product
- A non-Ford dealership
- A vehicle sales transaction
- A request for reimbursement of consequential expenses unless incidental to a service or product complaint being reviewed
- Items not covered by your warranty
- Alleged liability claims

- Property damage where such damage is significant when compared to the economic loss alleged under the warranty dispute
- Cases currently in litigation
- Vehicles not used primarily for personal, family, or household purposes

**NOTE: Complaints involving vehicles on which applicable express written new vehicle warranties have expired at receipt of your application are not eligible. Eligibility may differ according to state law. For example, see the unique brochure for California purchasers/lessees.**

### **How Does the Board Work?**

The Board has four members:

- three consumer representatives
- a Ford or Lincoln-Mercury dealer

Consumer candidates for Board membership are recruited and trained by an independent consulting firm. Dealers are chosen because of their business leadership qualities.

If the involved vehicle is within 36 months and 36,000 miles of the date of delivery (warranty start date), you have a right to make an oral presentation before the Board by indicating your choice on the application. Also, oral presentations may be requested by the Board. A decision is made by the Board by simple majority vote.

Board members review all the materials related to each complaint and, based on the available information, arrive at a fair and impartial decision. Decisions are based on the written statements and any oral presentations made by each of the involved parties.

Because the Board usually meets only once a month, some cases will take longer than 30 days to be reviewed. The Board will make every effort to resolve each case within 40 days after it receives the customer application form.

After your case has been reviewed, the Board will mail you its decision in writing. It will also provide you with a form to indicate your acceptance or rejection of an award decision. The decisions of the Board are binding on the dealer and Ford, but customers may have other options available to them under state or federal law.

The decisions of the Board, however, may be introduced into evidence by any party in subsequent legal proceedings that may be initiated.

### **How Do You Contact the Board?**

Write to the Board at the following address to request a brochure/application. You will be sent a brochure and a one-page customer application form. The form should be completed and mailed to the same address.

*Dispute Settlement Board  
P.O. Box 5120  
Southfield, MI 48086-5120*



## What is the Review Process?

Your application will be reviewed and if it is determined to be eligible, you will receive an acknowledgment indicating the file number assigned to your application and the local Board address. At the same time, your dealer and Ford Motor Company representative are asked to submit statements.

To review your case properly, the Board needs the following information:

- legible copies of all documents and maintenance or repair orders that relate to the case
- the year, make, model, and vehicle identification number
- the date you bought your vehicle
- the date of repair and the mileage at the time of repair
- the current mileage
- the name of the dealer who sold you the vehicle or who serviced your vehicle
- a brief description of your unresolved complaint
- a brief summary of actions that were taken with the dealer and Ford Motor Company
- the names (if known) of all people you contacted at the dealership
- a description of the action you want done to resolve your concern.

Should your application NOT qualify for review, an explanation will be mailed to you.

Ford of Canada does not have a Dispute Settlement Board. If you have a problem that cannot be resolved by an agreement among you, Ford of Canada, and the Ford dealer, contact the Canadian Motor Vehicle Arbitration Plan (CAMVAP). In many areas of Canada, CAMVAP will help resolve the problem and, if necessary, will arrange for the matter to be arbitrated.

## **Reporting Safety Defects (U.S. Only)**

If you believe that your vehicle has a defect which could cause a crash or could cause injury or death, you should immediately inform the National Highway Traffic Safety Administration (NHTSA) in addition to notifying Ford Motor Company.

If NHTSA receives similar complaints, it may open an investigation, and if it finds that a safety defect exists in a group of vehicles, it may order a recall and remedy campaign. However, NHTSA cannot become involved in individual problems between you, your dealer, or Ford Motor Company.

To contact NHTSA, you may either call the Auto Safety Hotline toll-free at 1-800-424-9393 (or 366-0123 in the Washington, D.C. area) or write to: NHTSA, U.S. Department of Transportation, 400 Seventh Street, Washington D.C. 20590. You can also obtain other information about motor vehicle safety from the Hotline.

## Getting Help Outside the U.S. and Canada

Before you export your vehicle to a foreign country, contact the appropriate foreign embassy or consulate to make sure local regulations do not prevent you from registering your vehicle. Officials at the embassy can also help you decide whether you should import your vehicle to that country.

Officials at the embassy or consulate can tell you where to get unleaded fuel. If you cannot get unleaded fuel or can get only fuel with an anti-knock index that is lower than your vehicle needs, contact a district or owner relations office before you leave the U.S. or Canada.

Use of leaded fuel in your vehicle without a proper conversion may damage the effectiveness of your emissions control system and may cause engine knocking or serious engine damage. Ford Motor Company is not responsible for any damage that is caused by use of improper fuel.

You may also have difficulty importing your vehicle back into the U.S. if you use leaded fuel.

If your vehicle must be serviced while you are traveling or living in Central or South America, the Caribbean, or the Middle East, contact the nearest Ford dealership. If the dealership cannot help you, write to:

*FORD MOTOR COMPANY  
WORLDWIDE EXPORT OPERATIONS  
1555 Fairlane Drive  
Fairlane Business Park #3  
Allen Park, Michigan 48101 U.S.A.  
Telephone: (313) 594-4857  
Fax: (313) 390-0804*

If you are in other foreign countries, contact the nearest Ford dealership. If the dealership cannot help you, they can direct you to the appropriate Ford affiliate office.

If you buy your vehicle in North America and then relocate outside of the U.S. or Canada, register your Vehicle Identification Number and new address with Ford Motor Company Export Operations.

## **Ford of Canada Customer Assistance**

### **Ford Motor Company of Canada, Limited**

If you live in Canada and have any questions or concerns that the dealership cannot answer, contact the Customer Assistance Centre.

*Customer Assistance Centre  
Ford Motor Company of Canada, Limited  
P.O. Box 2000  
Oakville, Ontario L6J 5E4  
1-800-565-3673 (FORD)*

## **Mediation/Arbitration Program (Canada Only)**

In those cases where you continue to feel that the efforts by Ford and the dealer to resolve a factory-related vehicle service concern have been unsatisfactory, Ford of Canada participates in an impartial third party mediation/arbitration program administered by the Canadian Motor Vehicle Arbitration Plan (CAMVAP).

The CAMVAP program is a straight-forward and relatively speedy alternative to resolve a disagreement when all other efforts to produce a settlement have failed. This procedure is without cost to you and is designed to eliminate the need for lengthy and expensive legal proceedings.

In the CAMVAP program, impartial third-party Arbitrators conduct hearings at mutually convenient times and places in an informal environment. These impartial Arbitrators review the positions of the parties, make decisions and, where appropriate, render awards to resolve disputes. CAMVAP decisions are fast, fair and final as the arbitrator's award is binding on both you and Ford of Canada.

CAMVAP services are available in all territories and provinces, except Quebec. For more information, without charge or obligation, call your CAMVAP Provincial Administrator directly at 1-800-207-0685.

---

# Accessories

---

## **Ford Accessories for Your Vehicle**

A wide selection of accessories is available through your local authorized dealer. These fine accessories have been engineered specifically to fulfill your automotive needs. They are custom designed to complement the style and aerodynamic appearance of your Ford-built vehicle. In addition, each accessory is made from high quality materials and meets or exceeds Ford's rigid engineering and safety specifications. That is why Ford brand accessories are warranted for up to 3 years or 36,000 miles (60,000 km), whichever comes first. See your dealer for complete warranty information and accessory availability.

## **Safety, Comfort, and Convenience**

### **Comfort and Convenience**

Air Conditioner  
Beverage/Storage Console  
Engine Block Heater

### **Protection and Appearance Equipment**

Side Window Deflectors  
Cleaners  
Floor Mats – Front and Rear  
Hood Deflector  
Lubricants  
Running Boards  
Super Seal Fabric Protector (U.S. only)  
Super Seal Undercoating (U.S. only)  
Touch-Up Paints  
Waxes  
Wheel Splash Guards (Flat)  
Front End Cover  
Door Edge Guards

### **Safety Equipment**

Vehicle Security System  
Remote Keyless Entry  
Anti Theft Lug Nuts (Aluminum Wheels only)

### **Travel Equipment**

Gooseneck Recreational Mirror  
Speed Control  
Trailer Hitch (Class III/IV)  
Multi Sport Removeable Luggage Rack & Adaptors

### **Visibility Equipment**

Fog Lamps

**NOTE: When adding accessories, equipment, passengers, and luggage to your vehicle, do not exceed the total weight capacity of the vehicle or of the front or rear axle (GVWR, GAWR as shown on the Safety Compliance Certification Label). Consult your dealer for specific weight information.**

**NOTE: The Federal Communications Commission (FCC) or the Canadian Radio Telecommunications Commission (CRTC) regulates the use of mobile communications systems — such as two-way radios, telephones, and theft alarms — that are equipped with radio transmitters. Any such equipment installed in your vehicle should comply with FCC or CRTC regulations and should be installed only by a qualified technician.**

**NOTE: Mobile communications systems may harm the operation of your vehicle, particularly if they are not properly designed for automotive use or are not properly installed. For example, when operated, such systems may cause the engine to stumble or stall. In addition, such systems may themselves be damaged or their operation affected by operating your vehicle. (Citizens band [CB] transceivers, garage door openers, and other transmitters whose power output is 5 watts or less will not ordinarily affect your vehicle's operation.)**

**NOTE: Because we have no control over the installation, design, or manufacture of such systems, Ford cannot assume responsibility for any adverse effects or damage that may result if you use this equipment.**



**FLEET OWNERS SERVICE TECHNICIANS:**

To purchase available technical Service Information, Component Service Manuals, Video Tape Training and Text Training Manuals, request Service Training Materials Catalog 0000-006SPD from:

FORD SERVICE PUBLICATIONS

POST OFFICE BOX 07150

DETROIT, MICH 48207

or call: 313/865-5000 Extension: 264

## 1996 Econoline/Club Wagon Owner Manual Order Form

PUBLICATION FORM NO.	DESCRIPTION
FCS-12251-96	1996 Econoline/Club Wagon Service Manual
FCS-12106-96	1996 Powertrain Control/ Emission Diagnosis
FCS-12137-96	1996 Truck Service Specifications
FCS-12128-96	1996 Econoline/Club Wagon Electrical & Vacuum Troubleshooting Manual
93-VID-OM	Ford and the American Dream (50) Minutes of Historic/Nostalgic Videotape

- **NOTE:** For publications prior to year shown above, write for availability to the address shown below.
- Please allow ample time for postal service delivery.

### U.S. RESIDENTS

Make checks payable to: HELM, INCORPORATED

**MAIL ORDER TO:**

HELM, INCORPORATED  
P.O. Box 07150  
Detroit, Michigan 48207

**OR ORDER TOLL FREE:**

**1-800-782-4356**

Monday - Friday 8:00 A.M. - 6:00 P.M. EST  
For Credit Card Holder Orders Only

### CANADIAN RESIDENTS

Make cheques payable to: Ford Motor Company of Canada, Ltd.

**MAIL ORDER TO:**

Ford Motor Company of Canada, Ltd.  
Service Publications  
P.O. Box 1580, Station B  
Mississauga, Ontario, Canada L4Y 4G3

**OR ORDER TOLL FREE:**

**1-800-387-4966**

Monday - Friday 8:30 A.M. - 6:00 P.M. EST  
For Credit Card Holder Orders Only

**U.S. RESIDENTS USE THIS PAGE**

**ORDER TOLL FREE  
1-800-782-4356**

**NOTE: For Credit Card  
Holder Orders Only**  
Monday-Friday  
8:00 A.M.-6:00 P.M. EST

*If further information is needed, write to the address shown below or call 1-800-782-4356. Material cannot be returned for credit without receiving advance authorization within 14 days of delivery. On returns, a re-stocking fee may be applied against the original order.*

1 9 9 6	PUBLICATION FORM NUMBER	1996 ECONOLINE/CLUB WAG: PUBLICATION	QTY.	PRICE EACH	TOTAL PRICE
		FCS-12251-96	Econoline/Club Wag. SM		\$ 90.00
	FCS-12106-96	Powertrain Control/ED		160.00	
	FCS-12137-96	Truck Service Spec.		32.00	
	FCS-12128-96	Econoline/Club Wag. EVTM		34.00	
	93-VID-OM	Videotape		19.95	

<b>P A Y M E N T</b>	<input type="checkbox"/> Check or Money Order payable to Helm, Inc. (USA funds only - do not send cash.)	<b>TOTAL MATERIAL</b>	
	<input type="checkbox"/> MasterCard	Michigan Purchasers add 6% sales tax	
	<input type="checkbox"/> VISA <input type="checkbox"/> Discover	Handling Charge	\$4.00
	Account Number	<input type="text"/>	<input type="text"/>
	Expiration Date mo/yr:	<input type="text"/>	<input type="text"/>
		<input type="checkbox"/> Check here if billing address is different from shipping address shown.	
	(CUSTOMER SIGNATURE)	(DATE)	

<b>S H I P T O</b>	<b>NOTE:</b> Dealers and Companies please provide dealer or company name, along with the name of the person to whom the shipment should be sent. For purchases outside U.S.A. and Canada, please write to the following address for quotation. Mail completed order form to: HELM, INC • P.O. Box 07150 • Detroit, MI 48207. Please allow 6-8 weeks for delivery. Prices are subject to change without notice and without incurring obligation.	
	(CUSTOMER NAME)	(ATTENTION)
	(STREET ADDRESS - NO P.O. BOX NUMBERS)	(APT.NO.)
	(CITY)	(STATE) (ZIP CODE)
	DAYTIME TELEPHONE	AREA CODE (    )
	_____	

**CANADIAN RESIDENTS USE THIS PAGE**

<p align="center"><b>ORDER TOLL FREE</b> <b>1-800-387-4966</b></p>	<p align="center"><b>NOTE: For Credit Card Holder Orders Only</b> Monday-Friday 8:30 A.M.-6:00 P.M. EST</p>
<p><i>If further information is needed, write to the address shown below or call 1-800-387-4966. Material cannot be returned for credit without receiving advance authorization within 14 days of delivery. On returns, a re-stocking fee may be applied against the original order.</i></p>	

<b>1 9 9 6</b>	PUBLICATION FORM NUMBER	1996 ECONLINE/CLUB WAG. PUBLICATION	QTY.	PRICE EACH	TOTAL PRICE
		FCS-12251-96	Service Manual		\$ 92.00
	FCS-12106-96	Powertrain Control/ED		160.00	
	FCS-12137-96	Truck Service Spec.		39.00	
	FCS-12128-96	Electrical & Vacuum T.M.		46.00	

<b>P A Y M E N T</b>	<input type="checkbox"/> Cheques or Money Order payable to Ford Motor Company of Canada, Ltd. (Do not send cash.)		<b>TOTAL MATERIAL</b>	
	<input type="checkbox"/> VISA Only		<b>G.S.T. (7%)</b>	
			Handling/Shipping Charge Individual Item Order Except Service Manuals \$5.00 OR Service Manuals and Multiple Item Orders \$10.00 (French Owner Guide: No Charge)	
			<b>GRAND TOTAL</b>	

Account Number					
Expiration Date mo/yr:					<input type="checkbox"/> Check here if billing address is different from shipping address shown.
(CUSTOMER SIGNATURE)			(DATE)		

<b>S H I P T O</b>	<p><b>NOTE:</b> Dealers and Companies please provide dealer or company name, along with the name of the person to whom the shipment should be sent. Mail completed order form to: Ford Motor Company of Canada, Ltd. • Service Publications • P.O. Box 1580, Station B Mississauga, Ontario, Canada L4Y 4G3. Please allow 6-8 weeks for delivery. Prices are subject to change without notice and without incurring obligation.</p>				
	(CUSTOMER NAME)		(ATTENTION)		
	(STREET ADDRESS - NO P.O. BOX NUMBERS)			(APT.NO.)	
	(CITY)	(PROVINCE)	(POSTAL CODE)		
	DAYTIME TELEPHONE	AREA CODE ( )			

---

# Servicing Your Econoline

---

## Service Made Easy

Ford has two goals for servicing your vehicle.

1. When we can, we design parts that do not need to be serviced.
2. We want to make servicing your vehicle as easy as possible. To help you:
  - We highlight do-it-yourself items in yellow in the engine compartment so that you can find them easily.
  - When possible, we design parts — such as the headlamp bulbs — that can be replaced without tools.
  - We give you a Maintenance Schedule that makes tracking routine service for your vehicle easy. The maintenance schedule is located in the *Maintenance Schedule and Record* booklet.

This chapter tells you about the basic parts that you need to check and service regularly.

If your vehicle needs professional servicing, your dealership can provide the parts and service required. Check your *Warranty Information Booklet* to find out which parts and services are covered. Also see the *Customer Assistance* chapter of this Owner Guide.

Ford Motor Company recommends that the Owner Maintenance Checks listed in the *Maintenance Schedule and Record* booklet be performed for the proper operation of your

vehicle. In addition to the conditions listed in the *Owner Maintenance Checklist*, be alert for any unusual noise, vibration, or other indication that your vehicle may need service. If you do notice something unusual, see that your vehicle is serviced promptly.

## **Precautions When Servicing Your Vehicle**

Be especially careful when inspecting or servicing your vehicle. Here are some general precautions for your safety:

- If you must work with the engine running, avoid wearing loose clothing or jewelry that could get caught in moving parts. Take appropriate precautions with long hair.
- Do not work on a vehicle in an enclosed space with the engine running, unless you are sure you have enough ventilation.
- Never get under a vehicle while it is supported by a jack only. If you must work under a vehicle, use safety stands.
- Keep all lit cigarettes and other smoking materials away from the battery and all fuel-related parts.

If you disconnect the battery, the engine must “relearn” its idle conditions before your vehicle will drive properly. To find out how the engine does this, see *Battery* in this chapter.

***Working with the engine off:***

1. Set the parking brake fully and make sure that the gearshift is securely latched in P (Park).
2. Remove the key from the ignition after you turn the engine off.
3. Block the wheels. This will prevent your vehicle from moving unexpectedly.

***Working with the engine on:***

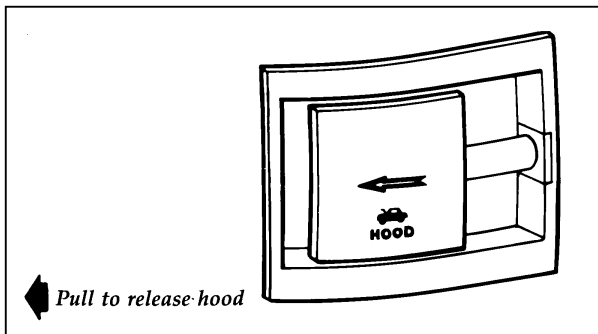
1. Set the parking brake fully and make sure that the gearshift is securely latched in P (Park).
2. Block the wheels. This will prevent your vehicle from moving unexpectedly.

 <b>WARNING</b>
--

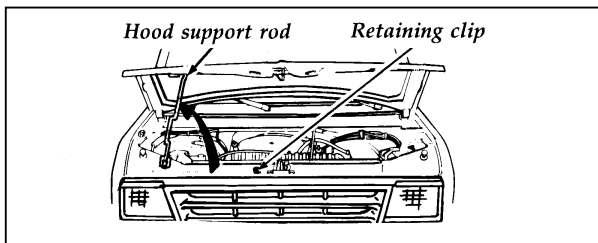
<b>Do not start your engine with the air cleaner removed and do not remove it while the engine is running.</b>
--

**Opening the Hood**

1. Pull the hood release handle, located on the left kick panel near the parking brake release handle.
2. While applying downward pressure on the hood, push the hood latch handle located behind the grille near the center front of the vehicle to the left.
3. Disconnect the hood support from the retaining clip on the radiator support and place it into the slot marked PROP in the underside of the hood.



**Hood release handle**



**Hood and support**

To close the hood, raise it so that the support rod comes away from the slotted hole in the hood. Place the support rod in its retaining clip and close the hood with enough force to make it latch. Be sure to oil the hood latch every six months to maintain smooth operation.

Always attempt to lift the hood after closing to be sure it is securely latched.



## Engine Compartment

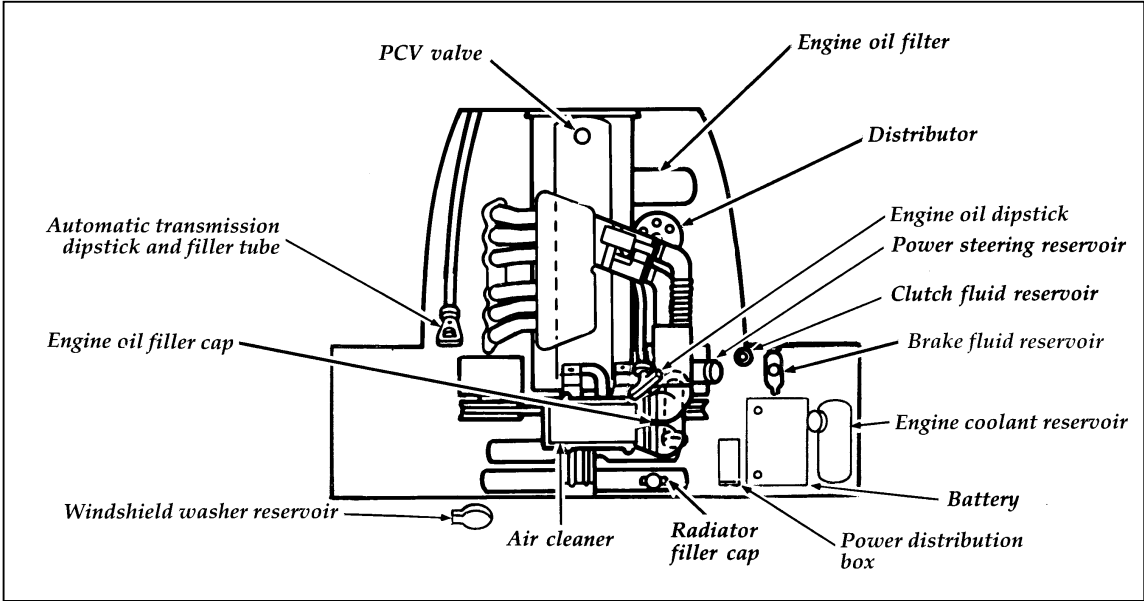
Your vehicle has one of the following types of engines:

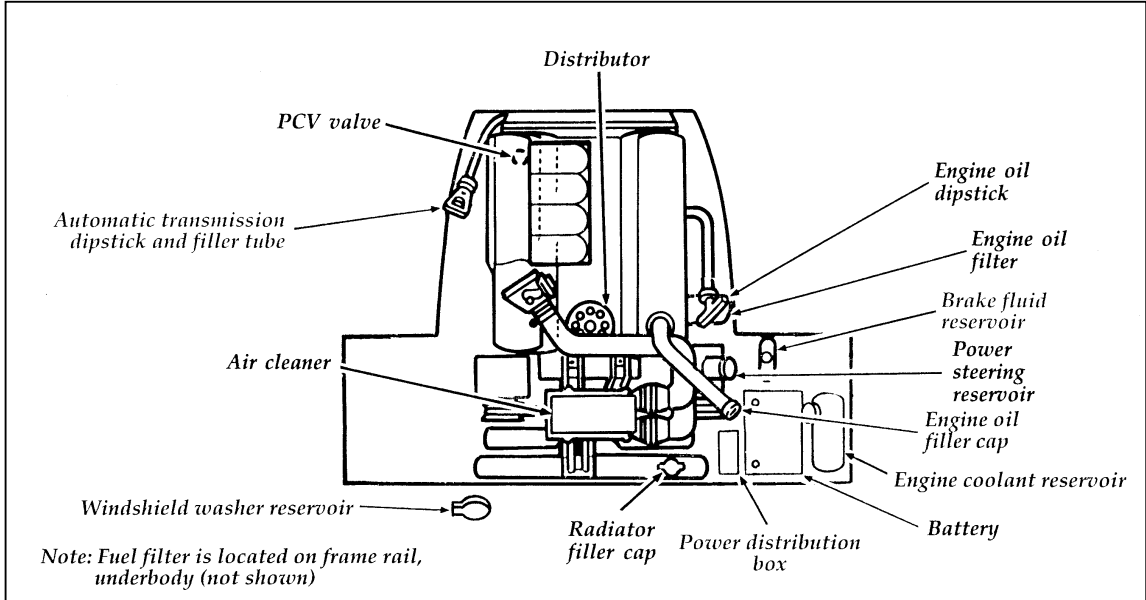
- A 4.9 Liter EFI, I-6 engine, or
- A 5.0 Liter EFI, V-8 engine, or
- A 5.8 Liter EFI, V-8 engine, or
- A 7.5 Liter EFI, V-8 engine.

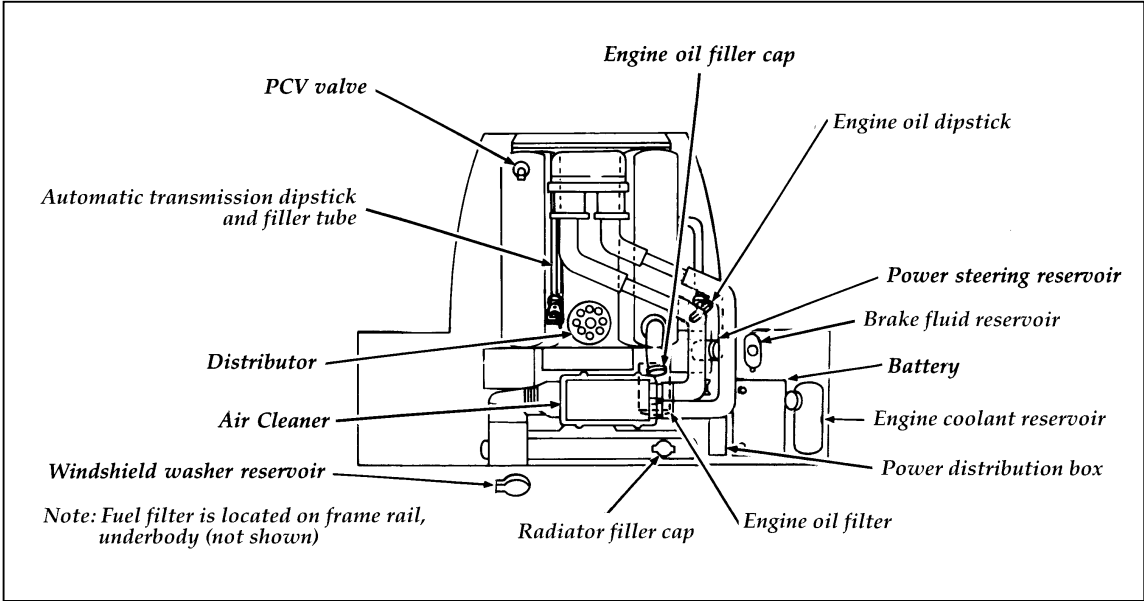
**NOTE: Read the *7.3L Diesel Engine Owner Guide Supplement* for information regarding correct service points for your diesel-powered vehicle.**

The following pages show diagrams of each engine type and where to find items that you should regularly service.

4.9L engine compartment service points





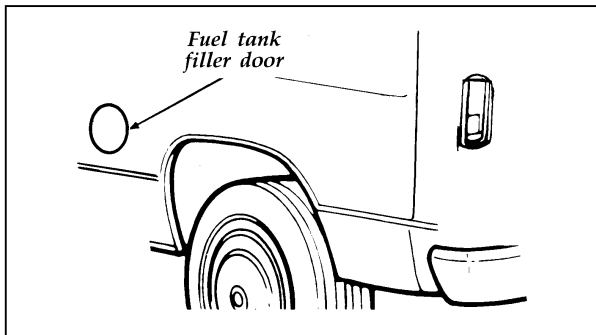


## Cleaning the Engine

A clean engine is more efficient because a buildup of grease and dirt acts as an insulator, keeping the engine warmer than usual.

- Extreme care must be used if a power washer is used to clean the engine. The high pressure fluid could penetrate sealed parts and assemblies causing damage or malfunctions.
- In order to avoid possible cracking of the engine block or fuel injection pump, do not spray a hot engine or injection pump with cold water.
- The alternator, distributor and air intake must be covered. Covering these components will help prevent water damage.
- Never wash or rinse the engine while it is running. Water getting into the engine may cause internal damage.

## Filling the Fuel Tank



Fuel filler door

## Opening the Fuel Filler Door

To open the fuel filler door of your vehicle, just insert your finger in the divot and pull the door open all the way.

**NOTE: For Stripped Chassis vehicles, see your Body Builders manual for the proper location of the fuel filler door.**

### *Removing the fuel cap*

The proper instructions for removing the fuel cap are as follows:

- Unscrew the fuel cap by exerting pressure on the plastic lock bar and rotating the fuel cap counterclockwise.
- Turn the fuel cap 1/2 to 3/4 of a turn until a hissing sound is heard. Wait until the hissing sound stops and then continue rotating counterclockwise to remove the fuel cap.
- Make sure that you follow the above fuel cap removal instructions and use caution. Such caution will minimize the possibility of fuel spraying during removal of the fuel cap.

To replace and secure the fuel cap; place it in position and rotate it clockwise until it clicks (ratchets). Doing so will not damage or break the fuel cap. The ratcheting mechanism allows the fuel cap to be sealed without overtightening.

If you lose the fuel cap, replace it with an authorized Motorcraft or equivalent part.

 <b>WARNING</b>
<b>If you do not use the proper fuel cap, the pressure in the fuel tank can damage the fuel system or cause it to work improperly in a collision.</b>

**NOTE:** If you replace your fuel cap with an aftermarket fuel filler cap, the customer warranty may be void for any damage to the fuel tank and/or fuel system.

**⚠ WARNING**

**If the fuel cap is venting vapor or if you hear a hissing sound, wait until it stops before completely removing the cap.**

A venting fuel tank is not an abnormal condition. It may be caused by:

- Too volatile a fuel for the weather conditions. The service stations sometimes sell winter grade fuel in the summer.
- Pulling a heavy load on hot days, or at high altitudes.
- Extended periods of idling with the engine RPM increased above the normal idle range.
- Parking vehicle in full sunlight for extended periods on extremely hot days.

### **Choosing the Right Fuel**

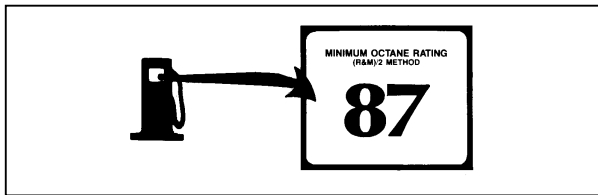
**NOTE:** Read the *7.3L Diesel Engine Owner Guide Supplement* for information regarding correct fuel requirements for your diesel-powered vehicle.

Use only UNLEADED FUEL in your vehicle. Using leaded fuel is prohibited by federal law. Your warranty may not apply if your vehicle is damaged because you used the wrong fuel.

Vehicle inspection programs may detect misfueling. Under these circumstances, you may be required by law to make costly repairs at your own expense.

## ***Octane recommendations***

**Your engine is designed to use regular unleaded fuel with an octane rating of 87.** In most cases, it is not necessary to use a fuel with an octane rating higher than 87. At service stations, the octane rating is displayed on a label on the pumps.



**Typical octane rating label**

In some parts of the country, “regular” grade fuels are sold with octane ratings of 86 or even less, especially in high altitude areas. We recommend that you do not use these fuels. Always use a fuel with an octane rating of 87, even if it is sold as a “midgrade” or “premium.”

Do not be concerned if your vehicle sometimes knocks lightly when you drive up a hill or when you accelerate. However, see your dealer or a qualified service technician if persistent, heavy knocking occurs because this can damage the engine.



### ***Fuel quality***

If you are experiencing starting, rough idle or hesitation problems when the engine is cold, it may be caused by fuel with low volatility. Try a different brand of fuel. If the condition persists, see your dealer or a qualified service technician.

Using a high-quality fuel makes your vehicle more responsive and maintains its good fuel economy and emissions by:

- protecting your fuel system from rusting.
- preventing the fuel lines from freezing.
- improving vehicle starting and warm-up.
- protecting the fuel system from vapor lock in very hot weather, which causes the engine to hesitate or stall and makes restarts difficult.
- minimizing deposits in fuel injectors, combustion chambers, and on intake valves.
- preventing your fuel system from “gumming up” when your vehicle is not used for long periods of time.
- preventing your engine from knocking and pinging.

It should not be necessary to add any aftermarket products to your fuel tank if you continue to use a high-quality fuel.

### ***Gasolines for clean air***

Fuels in certain areas of the country are required to contain oxygenates to improve air quality. Common oxygenates are ethanol or grain alcohol (blended at no more than 10%), methanol or wood alcohol (blended at no more than 5% with cosolvents and additives), and MTBE or methyl tertiary butyl ether (blended at no more than 15%).

Reformulated gasoline is also required in certain areas of the U.S. These fuels are designed to further reduce the emissions from your vehicle.

Generally, you should not experience difficulties operating your vehicle on reformulated gasoline or on fuels containing oxygenates. We encourage you to use these fuels.

### **Safety Information Relating to Automotive Fuels**

 **WARNING**

**Automotive fuels can cause serious injury or death if misused or mishandled.**

Gasoline and other automotive fuels are extremely flammable. Turn your vehicle off and do not smoke while refueling your vehicle. Keep sparks and other sources of ignition away from fuels.

Automotive fuels can be harmful or fatal if swallowed. Further, gasoline may be blended with methanol. Even small amounts of methanol can cause blindness and possibly death when swallowed. Therefore, never attempt to siphon any fuel by mouth.

If any fuel is swallowed, call a physician or poison control center immediately. **Do not delay calling a physician merely because no adverse effects are noticed at first; the toxic effects of a gasoline-methanol blend, including blindness, may not become apparent for many hours.** If gasoline is swallowed, do not induce vomiting. If a gasoline-methanol blend is swallowed, induce vomiting under the direction of a physician or poison control center.

Gasoline and gasoline-methanol blends may contain small amounts of carcinogens, such as benzene. Long-term exposure to unleaded gasoline vapors has caused cancer in laboratory animals. Further, excessive inhalation of fuel vapors can cause headache, dizziness, nausea, loss of coordination, and other symptoms which could interfere with your ability to safely operate your vehicle. To the extent possible, avoid breathing vapors while refueling. If fuel vapors are inhaled in excessive quantities, move the victim to fresh air and seek medical attention.

Fuels can also be harmful if absorbed through the skin. When refueling, be careful not to splash fuel on yourself or your clothing. If fuel is splashed on the skin, promptly remove contaminated clothing and wash the skin thoroughly with soap and water.

Fuels can cause severe eye irritation and possibly eye damage. If fuel is splashed in the eyes, remove contact lenses (if worn), flush with large amounts of water for 15 minutes, and seek medical attention.

You should be particularly careful if you are taking the medication "Antabuse" or other forms of disulfiram for the treatment of alcoholism. There is a possibility that breathing the vapors of a gasoline-methanol blend, or skin contact with such a blend, may cause the same kind of adverse reaction as drinking an alcoholic beverage. In sensitive individuals, serious personal injury or sickness could result. Consult a physician promptly if you experience an adverse reaction.

## ***Filling the fuel tank***

 <b>WARNING</b>
--

<p><b>Do not overfill the fuel tank. The pressure in an overfilled tank may cause leakage and lead to fuel spray and fire.</b></p>
--

To fill the fuel tank properly:

**NOTE: Extinguish all lit cigarettes, other smoking materials, and any open flames before fueling your vehicle.**

1. Remove the fuel cap by following the instructions above under *Removing the Fuel Cap* in this chapter. Proceed to add fuel to the tank only if your vehicle is on level ground.
2. Make sure that you pump unleaded fuel and put the nozzle all the way inside the fuel filler pipe.

**NOTE: If you spill any fuel on the body of your vehicle, clean it off immediately. The fuel may dull or soften the paint if you do not wash it off.**

3. Replace the fuel cap completely when you are finished. Turn it clockwise 1/4 turn until it is tight. It will click when it is fully tightened.

## Running Out of Fuel

If your vehicle runs out of fuel, try to stop on level ground away from traffic. Add at least two gallons (8 liters) of fuel to start your vehicle again. If your vehicle is not on level ground, you may need as much as five gallons (20 liters) of fuel to start it.

You may need to crank the engine several times before the fuel system starts to pump fuel from the tank to the engine.

## Fuel Economy

Fuel economy is an estimate of the efficiency of your vehicle and can be calculated as Miles Per Gallon (MPG) or Liters Per 100 Kilometers (L/100K).

Do not calculate fuel economy during your vehicle's break-in period. This would not be an accurate estimate of how much fuel your vehicle will normally use.

To calculate fuel economy:

1. Fill the tank completely and record the initial odometer reading.
2. Every time you buy fuel record the amount (in gallons or liters) purchased.
3. After at least three to five tankfuls, fill the fuel tank and record the final odometer reading.
4. Use these equations to calculate your fuel economy.

English:  $\text{MPG} = (\text{total miles}) / (\text{gallons used})$ .

Metric:  $\text{L}/100\text{K} = (\text{liters used}) \times 100 / (\text{total kilometers})$

## **Comparisons With EPA Fuel Economy Estimates**

EPA fuel economy figures are obtained from laboratory tests under simulated road conditions and may not reflect the actual conditions you experience or your style of driving. The EPA fuel economy estimate is not a guarantee that you will achieve the fuel economy shown.

### **Improving Fuel Economy**

Fuel economy is affected by a number of variables which can reduce efficiency. You can improve fuel economy by understanding these variables and minimizing their effect.

The following decrease fuel economy:

- Lack of regular, scheduled maintenance
- Driving with your foot on the brake
- Sudden stops
- Excessive speed
- Extended engine idling
- Heavy loads
- Underinflated tires
- Extended use of the A/C, defroster, rear window defroster and other accessories
- Aftermarket add-ons such as bike, ski or luggage racks, bug deflectors, etc.

## Engine Oil Recommendations

We recommend using Motorcraft oil or an equivalent oil meeting Ford Specification WSS-M2C153-F and displaying the American Petroleum Institute CERTIFICATION MARK on the front of the container.



The API Certification Mark

Never use:

- “Non-Detergent” oils
- Oils labeled API SA, SB, SC, SD, SE, SF or SG
- Additional engine oil additives, oil treatments or engine treatments

### ***For vehicles with 5.8L engines***

Engine oils with an **SAE 5W-30** viscosity are **PREFERRED** for your vehicle. They provide the best engine performance, fuel economy and engine protection for all climates down to -15°F (-25°C).

Synthetic engine oils which are **CERTIFIED** and of the preferred viscosity may be used in your engine. The engine oil and oil filter must still be changed according to the maintenance schedule.

***For vehicles with 4.9L, 5.0L or 7.5L engines***

Engine oils with an **SAE 10W-30** viscosity are **PREFERRED** for your vehicle which provide the best engine protection for all climates down to -5°F (-20°C). SAE 5W-30 engine oils may also be used down to -15°F (-25°C).

Synthetic engine oils which are **CERTIFIED** and of the preferred viscosity may be used in your engine. The engine oil and oil filter must still be changed according to the maintenance schedule.

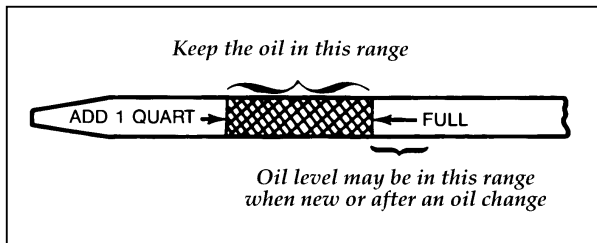
**Checking and Adding Engine Oil**

Since the proper amount of engine oil is important for safe engine operation, check the oil using the dipstick each time you put fuel in your vehicle. Remember the engine must be off, the oil must be warm and the vehicle must be parked on level ground.

***Checking the engine oil level:***

1. Turn the engine off after it has warmed up and allow a few minutes for the engine oil to drain back into the oil pan.
2. Set the parking brake, making sure the gearshift is securely latched in P (Park).
3. Open the hood. Protect yourself from engine heat.
4. Locate the engine oil dipstick (highlighted in yellow) and carefully pull it out of the engine.
5. Wipe the dipstick clean and put it back into position, making sure it is fully seated.





#### Engine oil dipstick

6. Carefully, pull the dipstick out again. If the oil level is below the "ADD 1 QT." line, add engine oil as necessary. If the oil level is beyond the letter "F" in FULL, engine damage or high oil consumption may occur and some oil must be removed from the engine.
7. Put the dipstick back in and make sure it is fully seated.

It may be necessary to add some oil between oil changes. Make sure you use a CERTIFIED engine oil of the preferred viscosity. Your vehicle's warranty coverage may not apply if engine damage is caused by the use of improper engine oil.

Add engine oil through the oil filler cap highlighted in yellow. To add oil, remove the filler cap and use a funnel to pour oil into the opening. Be careful not to overfill the engine. Recheck the oil level after you finish adding oil.

## Changing the Engine Oil and the Oil Filter

Change the engine oil and oil filter per the following, whichever occurs first.

5,000 MILES (8,000 KM) OR 6 MONTHS  
NORMAL SCHEDULE

---

3,000 MILES (5,000 KM) OR 3 MONTHS  
SEVERE DUTY SCHEDULE

EXTENSIVE IDLING  
TRAILER TOWING  
DRIVING IN SEVERE DUST  
POLICE, TAXI, OR DELIVERY

### Oil change intervals

**NOTE: Idling the engine for extended periods will accumulate more hours of use on your vehicles than is actually indicated by the mileage odometer. Consequently, the odometer reading can be often misleading when determining the right time to change your engine oil and filter.**

If you are using your Ford vehicle in a manner which allows it to remain stationary while the engine is running for long periods (door to door delivery, taxi, police, power/utility company trucks, or similar duty), then Ford recommends you increase the frequency of oil and filter changes to an interval equivalent to 200 ENGINE HOURS of use. Since most vehicles are not equipped with hourmeters, it may be necessary for you to approximate your idle time and plan oil/filter changes accordingly.

**If your vehicle is over 8500 GVWR and the above conditions do not apply, change the engine oil and oil filter every 6 months or 5,000 miles (8,000 km), whichever comes first.**

Refer to the *Maintenance Schedule and Record* booklet for additional information.

**NOTE: Refer to the *Power Stroke Diesel Engine Owner's Guide Supplement* for oil viscosity, filter application and oil and filter change intervals.**

**NOTE: Always dispose of used automotive fluids in a responsible manner. Follow your community's standards for disposing of these types of fluids. Call your local recycling center to find out about recycling automotive fluids.**

 <b>WARNING</b>
--

<b>Continuous contact with USED motor oil has caused cancer in laboratory mice.</b>
---

Protect your skin by washing with soap and water.

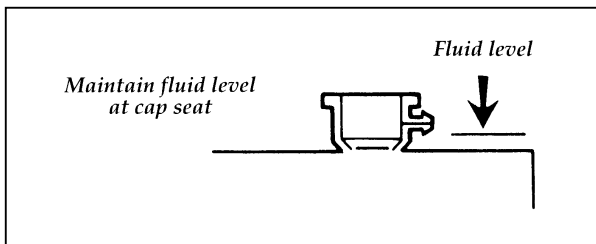
## **Engine Coolant**

### ***Checking the engine coolant***

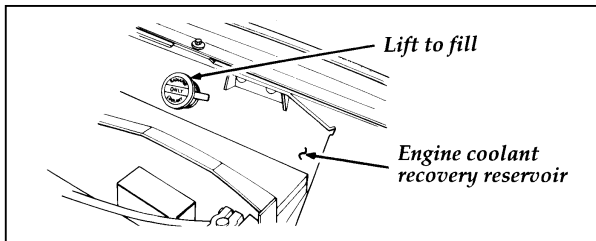
Your vehicle's engine coolant protects the engine from overheating in the summer and from freezing in the winter. Check the level of the engine coolant at least once a month, but preferably each time you stop for fuel. Simply look at the engine coolant recovery reservoir located in the engine compartment. To locate this reservoir, see the diagram of your vehicle's engine under *Engine types* in this chapter.

If the engine coolant has not been checked for a long period of time the engine coolant reservoir may eventually empty. If the engine coolant reservoir empties, check the engine coolant level in the radiator. Read the following warnings before removing the radiator cap. If it is necessary to fill the radiator, refer to the *Engine Coolant Refill Procedure* in this chapter for instructions.

### ***Adding engine coolant***



### **Checking engine coolant radiator level**



### **Adding engine coolant**

#### **⚠ WARNING**

**Do not put engine coolant in the container for the windshield washer fluid.**

If sprayed to clean the glass, engine coolant or antifreeze could make it difficult to see through the windshield.

**⚠ WARNING**

**Never remove the coolant recovery cap while the engine is running or hot.**

**⚠ WARNING**

**Follow these steps to minimize risk of personal injury.**

1. Before you remove the cap, turn the engine off and let it cool. Even when the engine is cool, be careful when you remove the radiator cap.
2. When the engine is cool, wrap a thick cloth around the cap and turn it slowly counterclockwise to the first stop.
3. Step back while the pressure releases.
4. When you are sure that all the pressure has been released, use the cloth to press, turn, and remove cap.
5. Stand away from the radiator opening. Hot steam may blow out or hot engine coolant may even splash out.

### **Freezing Protection**

The factory-installed solution of Ford Premium Cooling System Fluid and water will protect your vehicle to  $-35^{\circ}\text{F}$  ( $-37^{\circ}\text{C}$ ). Check the freeze protection rating of the engine coolant at least once a year, just before winter.

**Add engine coolant only to the coolant reservoir.** If the coolant level is low, add to the reservoir a 50/50 mixture of water and the type of engine coolant that Ford specifies. You may add water by itself only in an emergency, but you should replace it with a 50/50 mixture as soon as possible. Check the engine coolant again the next few times you drive your vehicle.

Ford Premium Cooling System Fluid is an optimized formula that will protect all metals and rubber elastomers used in Ford engines for four years or 50,000 miles (80,000 km). It is not necessary and not recommended to use supplemental coolant additives in your gasoline powered vehicle. These additives may harm your engine cooling system. Follow the recommended service interval for changing your engine coolant.

**NOTE: When you change or add engine coolant, it is important to maintain your engine coolant concentration between 40% (-11°F [-24°C]) and 60% (-62°F [-52°C]), depending on your local climate conditions. Below 40% you will lose freeze protection and above 60% your engine may overheat on a warm day.**

**NOTE: Do not use an engine coolant that does not meet all 14 requirements of Ford Specification ESE-M97B44-A. The use of an improper coolant may void your warranty for the engine cooling system. Use only a premium nationally recognized brand name engine coolant.**

Ford Motor Company expressly authorizes the Ford Rotunda engine coolant recycling process and chemicals. Use only Ford Rotunda recycled engine coolant or an equivalent recycled engine coolant that is certified by the supplier to meet Ford specification ESE-M97B44-A.

**NOTE: Always dispose of used automotive fluids in a responsible manner. Follow your community's standards for disposing of these types of fluids. Call your local recycling center to find out about recycling automotive fluids.**

Use Ford Premium Cooling System Fluid or an equivalent engine coolant that meets Ford Specification ESE-M97B44-A. Do not use alcohol or methanol antifreeze and do not use engine coolant mixed with alcohol or methanol antifreeze. If you do not use the proper coolant, the aluminum radiator on your vehicle will corrode.

Leave the engine coolant in all year. Make sure that the coolant will not freeze at the temperature level in which you drive during winter months. Keep a mixture of engine coolant in your engine that has a protection rating of at least -34°F (-37°C), or whatever protection rating is appropriate for the climate in which you live.

To find out how much engine coolant mixture your vehicle's coolant system can hold, see *Refill capacities for fluids* in the Index.

You may add water by itself only in an emergency, but you should replace it with a 50/50 or appropriate mixture as soon as possible.

Have your dealer check the engine cooling system for leaks if you have to add a quart (liter) of engine coolant more than once a month.

### ***Checking hoses***

Inspect all engine and heater system hoses for deterioration, leaks and loose clamps before adding or replacing engine coolant. Make whatever repairs or replacements that are necessary using Motorcraft parts or their equivalents.

### ***Engine coolant drain and flush***

To drain your vehicle's engine coolant:

1. Turn off the engine and let it cool. Fully depressurize the engine cooling system by covering the radiator cap with a thick cloth and turning it slowly counterclockwise to the first stop. Step back while the pressure releases.
2. Remove the cap.
3. Open the radiator drain cock.
4. Let the engine coolant drain into a suitable container. Disconnect the lower radiator hose at the radiator connector and drain any remaining engine coolant into a container.
5. Reconnect the lower radiator hose and close the radiator drain cock.

Proper procedures for flushing the cooling system can be found in the *Truck Service Manual*.

### ***Engine coolant refill procedure***

After you have drained the engine cooling system:

1. Fill the radiator with a 50/50 mixture of the specified engine coolant concentrate and water. Allow several minutes for trapped air to escape (bubble out) and for engine coolant to flow through the radiator.
2. Replace the radiator cap to its fully installed position, then back off to the first stop. This will prevent high pressure from building up in the cooling system during this part of the fill procedure.



3. Start and idle the engine until the thermostat opens and the radiator upper hose becomes warm.
4. Shut off the engine and allow the engine to cool. Cover the radiator cap with a thick cloth and cautiously remove it. Step back while the pressure releases.
5. Finally, check the radiator and add more engine coolant if needed, following the procedures noted above. Reinstall the radiator cap securely, when finished.
6. If more engine coolant is necessary, fill the overflow reservoir to the appropriate level marked on the bottle.

# Windshield Washer Fluid and Wipers

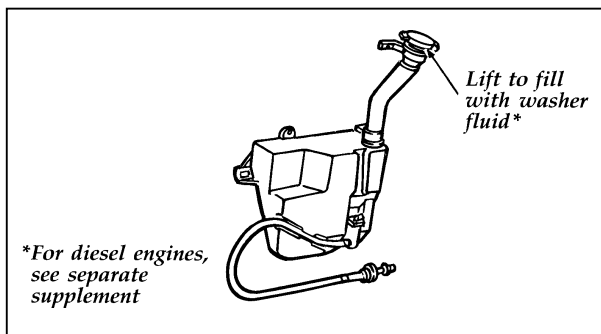
## Washer Fluid

Check the level of the windshield washer fluid every time you stop for fuel. The reservoir for the windshield washer fluid is located in the engine compartment.

### *Adding washer fluid*

**⚠ WARNING**

**Do not put windshield washer fluid in the container for the engine coolant.**



### Windshield washer reservoir

Use specially formulated windshield washer fluid rather than plain water, because specially formulated washer fluids contain additives that dissolve road grime. For safety reasons, washer fluids containing an appropriate antifreeze such as methanol should be used in freezing weather (temperatures below 32°F [0°C]). State or local regulations on Volatile Organic Compounds (VOC's) may restrict use of the most common

antifreeze, methanol. Washer fluids containing non-methanol antifreeze agents should be used only if they provide cold weather protection without damaging the vehicle's paint finish, wiper blades, and windshield washer system.

If you choose to use a windshield washing solution that must be mixed, follow the manufacturer's mixing instructions. Improperly mixed solutions may freeze unexpectedly.

**NOTE: The addition of shields to the front of the vehicle, as used to deflect bugs, may also adversely affect the washer system from delivering fluid to the windshield. Devices such as bug shields are not recommended to be added to your new Ford product.**

## **Wiper Blades**

Check the windshield wiper blades at least twice a year. Also check them whenever they seem less effective than usual. Such substances as tree sap and some hot wax treatments used by commercial car washes reduce the effectiveness of wiper blades.

If the blades do not wipe properly, clean both the windshield and the wiper blades. Use undiluted windshield washer solution or a mild detergent. Rinse thoroughly with clear water. Do not use fuel, kerosene, paint thinner, or other solvents to clean your wiper blades. These will damage your blades.

To make reaching the wiper blades easy, simply turn the ignition switch to ACC and turn your wipers on. Wait for them to reach a vertical position and turn the ignition to OFF. Do not move the wipers manually. Moving the wipers manually may damage them.

### ***Wiper blade replacement***

If the wiper blades still do not work properly after you clean them, you may need to replace the wiper blade assembly or the blade element. When replacing the wiper blade assembly, blade refill, or wiper arm always use a Motorcraft part or equivalent. To replace the blades, follow the instructions that come with them.

## **Tires**

Look at your tires each time you fill your fuel tank. If one tire looks lower than the others, check the pressure in all of them. Always follow these precautions:

- Keep your tires inflated to the pressures that are recommended. (*See Checking the pressure of the tires* later in this chapter.)
- Stay within the recommended load limits (see *Load limits* in the Index).
- Make sure the weight of your load is evenly distributed.
- Drive at safe speeds.

If you do not take these precautions, your tires may fail or go flat.

Ford Motor Company recommends obeying posted speed limits.

 <b>WARNING</b>
<b>Driving too fast for conditions creates the possibility of loss of vehicle control. Driving at very high speeds for extended periods of time may result in damage to vehicle components.</b>

## Checking the pressure of the tires

At least once a month, check the pressure in all your vehicle's tires, including the spare. Use an accurate tire pressure gauge. Check the tire pressure when tires are cold, that is, after the vehicle has been parked for at least one hour or has been driven less than 3 miles (5 km). You can find the proper cold pressure on the Safety Compliance Certification Label.

 <b>WARNING</b>
--

<b>Improperly inflated tires can affect vehicle handling and can fail suddenly, possibly resulting in loss of vehicle control.</b>
--

## Tire inspection and maintenance

Inspect the tire treads, and remove stones, nails, glass or other objects that may be wedged in the tread grooves. Check for holes or cuts that may permit air to leak from the tire, and make the necessary repairs.

Inspect the tire side walls for cuts, bruises and other damage. If you suspect internal damage to the tire, have it demounted and checked. You may need to repair or replace it.

## Wheel inspection and maintenance

Check for damage that would affect the runout of the wheels. Wobble or shimmy will eventually damage the wheel bearings.

Front wheel bearings require periodic repacking and adjustment as specified in the *Maintenance Schedule and Record* booklet. Loose or worn front wheel bearings tend to let the vehicle wander or shimmy, and can eventually cause excessive tire wear.

Whenever a wheel is removed and then re-installed, always remove any corrosion that may be present on the mounting surface of the wheel and/or the surface of the hub, drum or rotor that contacts the wheel.

**⚠ WARNING**

**Installing wheels without good metal-to-metal contact at the wheel mounting surface can cause the wheel lug nuts to loosen and could allow the wheel to come off while the vehicle is in motion.**

**⚠ WARNING**

**Also retighten at 500 miles (800 km) after any wheel change or any time the lug nuts are loosened.**

***Traction-Lok Rear Axle (If equipped)***

This axle provides added drive away traction on slippery surfaces, particularly when one or more wheels are on a surface with poor traction.

**⚠ WARNING**

**To avoid injury, never run the engine with one wheel off the ground, such as when changing a tire.**

**Tire Rotation**

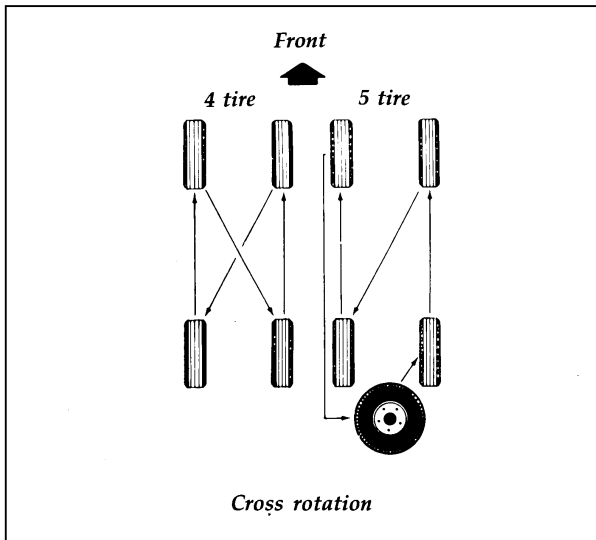
Because your vehicle's front and rear tires perform different jobs, they often wear differently. To make sure your tires wear evenly and last longer, rotate them at the mileage shown in the *Maintenance Schedule and Record* booklet which came with your vehicle.

For E-250 (over 8500 GVWR [3855 kg]), and E-350 vehicles, rotate the tires at 5,000 miles (8,000 km), then at 15,000 miles (24,000 km), and then every 15,000 miles (24,000 km) thereafter.

If your light truck has dual rear wheels, you can rotate the front tires side to side without disturbing the rear tires.

Rotate the tires according to the following diagram. If you notice that the tires wear unevenly, have them checked. If your light truck has a temporary spare tire, do not include it in the tire rotation pattern.

In situations where the tires differ from front to rear (snow/traction), simply rotate using a side to side pattern.



**Tire rotation pattern**

After each rotation, adjust individual tire pressure as specified on the Safety Compliance Certification Label. Tighten wheel lug nuts to the required torque specification and retighten again after 500 miles (800 km).

If your vehicle has aluminum wheels, you may demount the full size, non-temporary spare tire (if so equipped) and remount on an aluminum wheel to rotate the spare tire into your vehicle's rotation pattern.

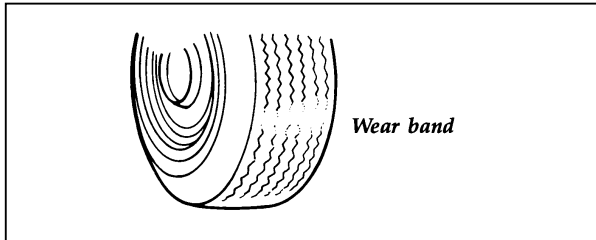
You may discover uneven outside shoulder wear on your vehicle's front radial tires if you drive often in the city and turn frequently around curbs. You can extend the life of your front tires by remounting them so the outside of the tire faces inside on the wheel rim.

To extend the life of your tires even more, rotate the tires from front to rear.



## Replacing the Tires

Replace any tires that show wear bands. When your tire shows a wear band, it has only 1/16 inch (2 mm) of tread left.



**Wear band**

Because your vehicle's tires may wear unevenly, you may need to replace them before a wear band appears across the entire tread. Some spots wear more heavily than others.

Your wheels and tires are match-mounted for improved ride. Before you begin to repair a tire, mark the wheel and tire so that they are properly aligned when remounted. This will ensure that the tires will continue to give you the same ride level.

### **WARNING**

**When replacing full size tires, never mix radial, bias-belted, or bias-type tires. Use only the tire sizes that are listed on the tire pressure decal. Make sure that all tires are the same size, speed rating, and load-carrying capacity. Use only the tire combinations recommended on the decal. If you do not follow these precautions, your vehicle may not drive properly and safely.**

**⚠ WARNING**

**Make sure that all replacement tires are of the same size, type, load-carrying capacity, and tread design (e.g. “All Terrain”, etc.), as originally offered by Ford.**

**⚠ WARNING**

**Do not replace your tires with “high performance” tires or larger size tires.**

**⚠ WARNING**

**Use of aftermarket wheel assemblies may damage your vehicle or cause accidents resulting in serious injuries.**

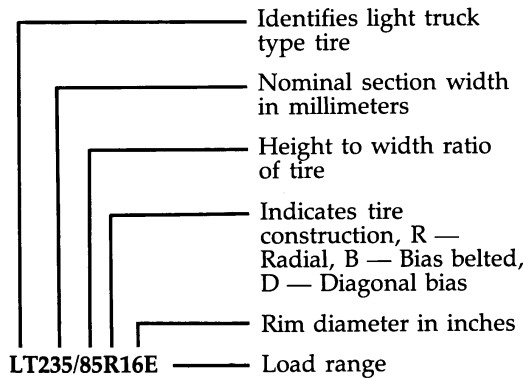
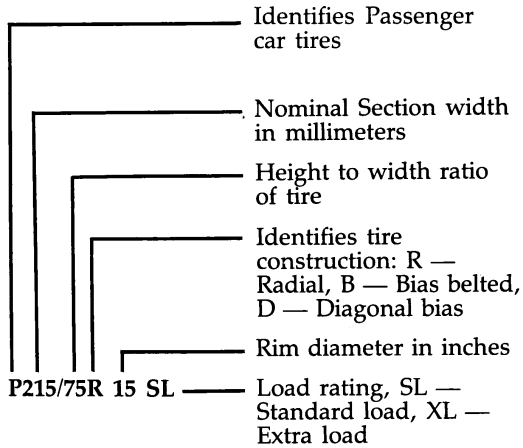
**⚠ WARNING**

**Failure to follow these precautions may adversely affect the handling of the vehicle and make it easier to lose control and roll over.**

Tires that are larger or smaller than your vehicle’s original tires may also affect the accuracy of your speedometer.

Please note that the sizes in the following chart are typical for the type of tire. To determine what specific size tires and rims are recommended by Ford for use on your vehicle, refer to the Safety Compliance Certification Label on your vehicle.

**Tire Size Designation**



Tire identification chart

**⚠ WARNING**

**To avoid possible serious or fatal bodily injury while mounting tires, mount LT Metric 16-inch radial tires only on 16-inch rims and not 16.5-inch rims. In addition, mount radial tires only on wheels approved for radial tires.**

### **Wheel and Tire Matching**

See an authorized tire dealer for proper servicing procedures. Wheels and tires must be properly removed, matched and remounted to maintain the best possible ride.

### **Snow Tires and Chains**

The tires on your vehicle have all-weather treads that provide traction in rain or snow. However, during the winter months in some climates, you may need to use snow tires and occasionally chains for your tires.

**⚠ WARNING**

**Snow tires must be the same size and grade as the tires you currently have on your vehicle.**

Use chains on the tires only in an emergency or if the law requires them where you live. If you choose to use chains on your vehicle's tires, be aware of the following:

- Make sure the chains are the right size for your tires. Use only SAE Class "S" chains. Other types may damage your vehicle.
- Put the chains on tightly with the ends held down securely. Verify that no chain touches any wiring, brake lines, or fuel lines. Follow the chain manufacturer's instructions.

- Drive slowly. If you can hear the chains rub or bang against your vehicle, stop the vehicle and tighten the chains. If you continue to hear the chains rub or bang against your vehicle, remove the chains to prevent damage to your vehicle.
- Avoid fully loading your vehicle if possible.
- Remove tire chains at the first opportunity after using them on snow and ice. Do not use the chains on dry roads.
- Make sure your suspension insulation and bumpers are not missing or worn to avoid damage to your vehicle.

### **Cleaning the Wheels**

Wash the wheels with the same detergent you use to wash your vehicle's body. Do not use acid-based wheel cleaners, steel wool, abrasives, fuel, or strong detergents. These substances will damage protective coatings. Use tar and road oil remover to remove grease and tar.

**NOTE: Before going to a car wash, find out if the brushes are abrasive.**

### **Battery**

Your vehicle may have a Motorcraft maintenance-free battery. When the original equipment battery is replaced under warranty, it may be replaced by a Motorcraft Low-Maintenance Battery.

The Low-Maintenance Battery has removable vent caps for checking the electrolyte level and for adding water, if necessary. The electrolyte level should be checked at least every 24 months or 24,000 miles (40,000 km) in temperatures up to 90°F (32°C) and more often in temperatures

above 90°F (32°C). Keep the electrolyte level in each cell up to the level indicator. Do not overfill.

If the level gets low, you can add tap water to the battery, provided the water isn't hard or doesn't have a high mineral or alkali content. However, if possible you should refill the battery with distilled water. If the battery needs water quite often, have the charging system checked for a possible malfunction.

### **Help Us Protect Our Environment**

Ford Motor Company strongly recommends that used lead-acid batteries be returned to an authorized recycling facility for disposal.



Battery recycling symbol

### **Auxiliary Battery (Optional — Low-Maintenance)**

#### ***Checking the fluid level***

The Low-Maintenance Battery has removable vent caps for checking the electrolyte level and for adding water, if necessary. The electrolyte level should be checked at least every 24 months or 24,000 miles (40,000 km) in temperatures up to 90°F (32°C) and more often in temperatures above 90°F (32°C). Keep the electrolyte level in each cell up to the level indicator. Do not overfill.

If the level gets low, you can add tap water to the battery, provided the water isn't hard or doesn't have a high mineral or alkali content. However, if possible you should refill the battery with distilled water. If the battery needs water quite often, have the charging system checked for a possible malfunction.

**⚠ WARNING**

**Batteries normally produce explosive gases which can cause personal injury. Therefore, do not allow flames, sparks or lit tobacco to come near the battery. When charging or working near a battery, always cover your face and protect your eyes, and also provide ventilation.**

**⚠ WARNING**

**Batteries contain sulfuric acid which burns skin, eyes, and clothing.**

If the acid touches someone's skin, eyes, or clothing, immediately flush the area with water for at least 15 minutes. If someone swallows the acid, have him or her drink lots of milk or water first, then Milk of Magnesia, a beaten egg, or vegetable oil. Call a doctor immediately.

**⚠ WARNING**

**Applying too much pressure on the ends when lifting a battery could cause acid to spill. Lift the battery with a carrier or with your hands on the opposite corners.**

## Automatic Transmission Fluid

Under normal driving conditions automatic transmission fluid should be changed every 30,000 miles (48,000 km) or 21,000 miles (34,000 km) if under severe duty conditions. However, if the transmission is not working properly, for instance, the transmission may slip or shift slowly, or you may notice some sign of fluid leakage, the fluid level should be checked.

**NOTE: Except E4OD transmission, there is no 30,000 mile (48,000 km) scheduled transmission fluid change requirement.**

Transmission fluid, filter and seal assembly should be changed every 21,000 miles (34,000 km) only under any of the following conditions.

- Extended periods of high speed driving during hot weather at/or above +90°F (+30°C).
- Towing a trailer for distances over 1,000 miles (1,600 km) per trip.
- Accumulating 5,000 miles (8,000 km) or more per month.
- Continuous operation and/or extensive idling (a delivery service as an example).
- Operating in severe dust conditions.

**NOTE: Use of a transmission fluid other than specified could result in transmission malfunction and/or failure. Refer to “Adding automatic transmission fluid”, “Refill capacities” and “lubricant specifications” for further information.**



## Checking the Automatic Transmission Fluid

It is preferable to check the transmission fluid level at normal operating temperature 150°F-170°F (66°C-77°C), after approximately 20 miles (30 km) of driving. However, if necessary, you can check the fluid level without having to drive 20 miles (30 km) to obtain a normal operating temperature if outside temperatures are above 50°F (10°C).

**NOTE: If the vehicle has been operated for an extended period at high speeds or in city traffic during hot weather, or pulling a trailer, the vehicle should be turned off for about 30 minutes to allow the fluid to cool before checking.**

With the vehicle on a level surface, start the engine and move the transmission shift selector through all of the gear ranges allowing sufficient time for each position to engage. Securely latch the transmission shift selector in the P (Park) position, fully set the parking brake and leave the engine running.

 <b>WARNING</b>
--

<p><b>Your vehicle should not be driven if the fluid level is below the bottom hole on the dipstick and outside temperatures are above 50°F (10°C).</b></p>
---

Wipe off the dipstick cap, pull the dipstick out and wipe the indicator end clean. Put the dipstick back into the filler tube and make sure it is fully seated. Pull the dipstick out and read the fluid level.

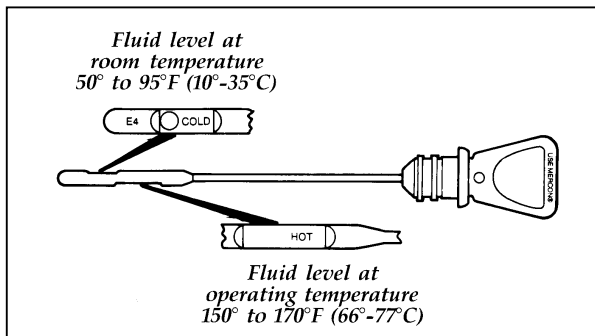
When checking fluid at normal operating temperature, the fluid level should be within the crosshatched area on the dipstick. When the vehicle has not been driven, and outside temperature is above 50°F (10°C), the fluid level should be between the holes on the dipstick.

### **Adding Automatic Transmission Fluid**

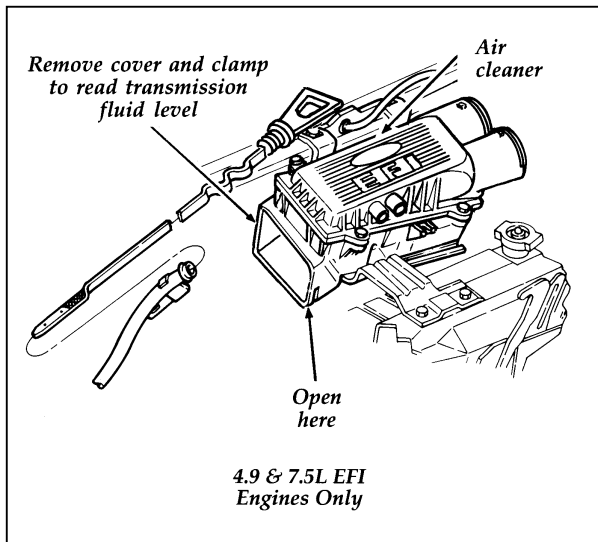
The fluid type is stamped on the dipstick. Before adding any fluid, be sure that the correct type will be used.

Add fluid in 1/2 pint (.25L) increments through the filler tube to bring the level to the correct area on the dipstick. If an overfill occurs, excess fluid should be removed by a qualified technician.

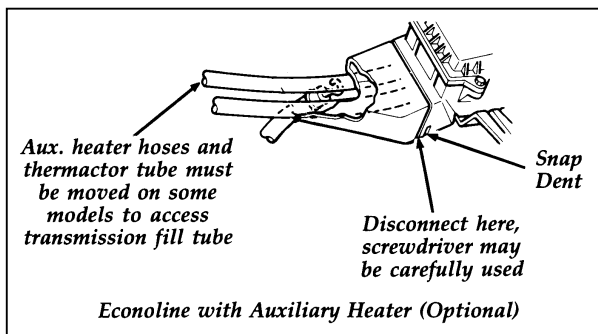
**NOTE: Always dispose of used automotive fluids in a responsible manner. Follow your community's standards for disposing of these types of fluids. Call your local recycling center to find out about recycling automotive fluids.**



**Automatic transmission dipstick**



Automatic transmission dipstick location



Automatic transmission dipstick location

## Driveline Universal Joint and Slip Yoke

The universal joints that come standard with your vehicle do not require lubrication. If your original equipment universal joints are replaced with universal joints equipped with grease fittings, lubrication will be necessary at the intervals shown in the *Maintenance Schedule and Record* booklet.

## Brake Fluid

Your vehicle is equipped with a brake fluid level indicator in the master cylinder which lights the BRAKE warning light on the instrument panel when the brake fluid level is low.

Under normal circumstances, your vehicle should not use up brake fluid rapidly. However, expect the level of the brake fluid to slowly fall as you put more mileage on your vehicle and the brake lining wears.

Check the brake fluid at least once a year. You can do this by looking at the fluid level in the plastic reservoir on the master cylinder. The fluid level should be at or near the MAX mark.

 <b>WARNING</b>
--

<b>Brake fluid is toxic.</b>
------------------------------

If brake fluid contacts eyes, flush eyes with running water for 15 minutes. Get medical attention if irritation persists. If taken internally, drink water and induce vomiting. Get medical attention immediately.

If the fluid is low, carefully clean and remove the filler cap from the reservoir. Fill the reservoir to the MAX line with Ford High Performance DOT 3 Brake Fluid C6AZ-19542-AA or DOT 3 equivalent fluid meeting Ford specification ESA-M6C25-A.

**NOTE:** If brake fluid is spilled on painted surfaces, it must be flushed and wiped away immediately. Brake fluid may dissolve the paint finish on your vehicle.

**⚠ WARNING**

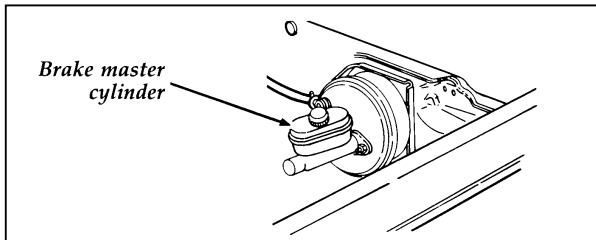
**If you use a brake fluid that is not DOT 3, you will cause permanent damage to your brakes.**

Do not fill the reservoir above the MAX line.

If you find that the fluid level is excessively low — below the seam or ridge on the outside of the plastic reservoir — have the brake system inspected.

**⚠ WARNING**

**Do not let the reservoir for the master cylinder run dry. This may cause the brakes to fail.**



**Brake master cylinder**

## **Power Steering Fluid**

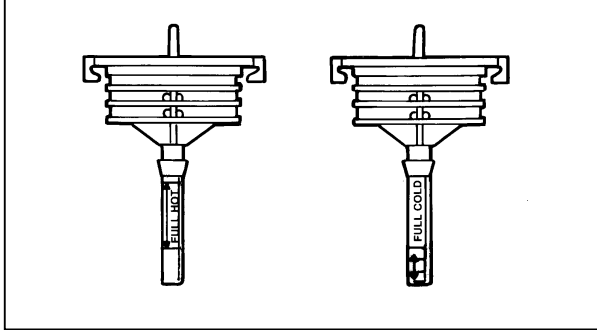
Check the level of the power steering fluid at least twice a year (i.e., every Spring and Fall).

To check the level of your power steering fluid:

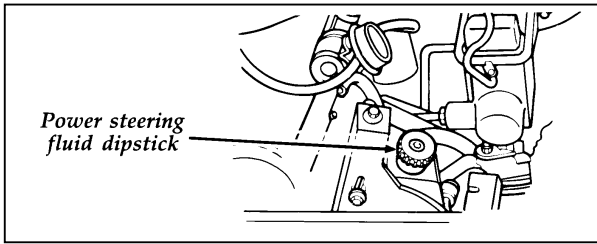
1. Start the engine and let it run until the power steering fluid reaches normal operating temperature. The power steering fluid will be at the right temperature when the engine coolant temperature gauge in the instrument cluster is near the center of the NORMAL operating temperature range.
2. While the engine idles, turn the steering wheel back and forth several times. Make sure that the cap assembly is installed at this time.
3. Turn the engine off.

### **All vehicles except E-Super Duty:**

4. Check the fluid level on the dipstick (which is highlighted in yellow in your vehicle). The fluid level should be between the arrows in the FULL HOT range, which is marked on the side of the dipstick, opposite the side marked FULL COLD. Do not add fluid if the level is within the FULL HOT range.



**Power steering dipstick**



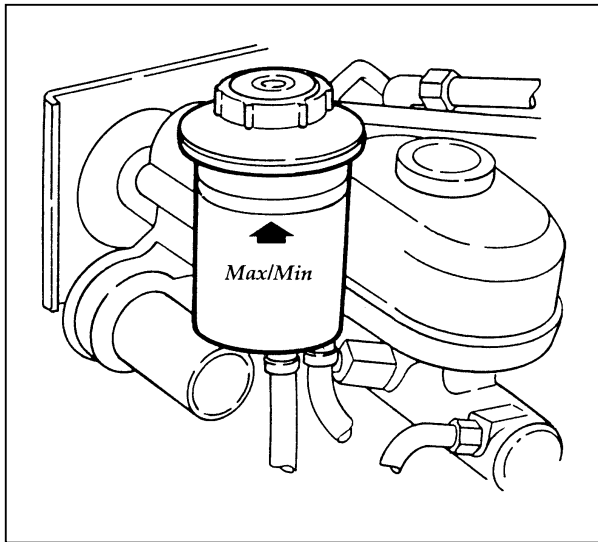
**Power steering reservoir**

5. If the power steering fluid is low, add fluid in small amounts, continuously checking the level, until you reach the FULL HOT range. Do not overfill.
6. When you are finished, put the dipstick back in and make sure that it fits snugly.

If you check the power steering fluid when it is cold, make sure that the fluid reaches the FULL COLD range on the dipstick. The reading will only be accurate if the fluid temperature is approximately 50°F to 85°F (10°C to 30°C).

### **E-Super Duty vehicles:**

4. Check the fluid level in the power steering fluid reservoir. The fluid level should be between the MIN and MAX lines on the side of the reservoir.
5. If the power steering fluid is below the MIN mark, add fluid in small amounts until the level is between the MIN and MAX lines on the side of the reservoir.



**Power steering reservoir**

If you check the power steering fluid when it is cold, make sure that the fluid reaches the MIN on the reservoir. The reading will only be accurate if the fluid temperature is approximately 50°F to 85°F (10°C to 30°C).



Use only power steering fluid that:

- ☐ meets Ford's Specification, such as Mercon® Automatic Transmission Fluid.

If the power steering fluid is low, do not drive your vehicle for a long period of time before adding fluid. This can damage the power steering pump.

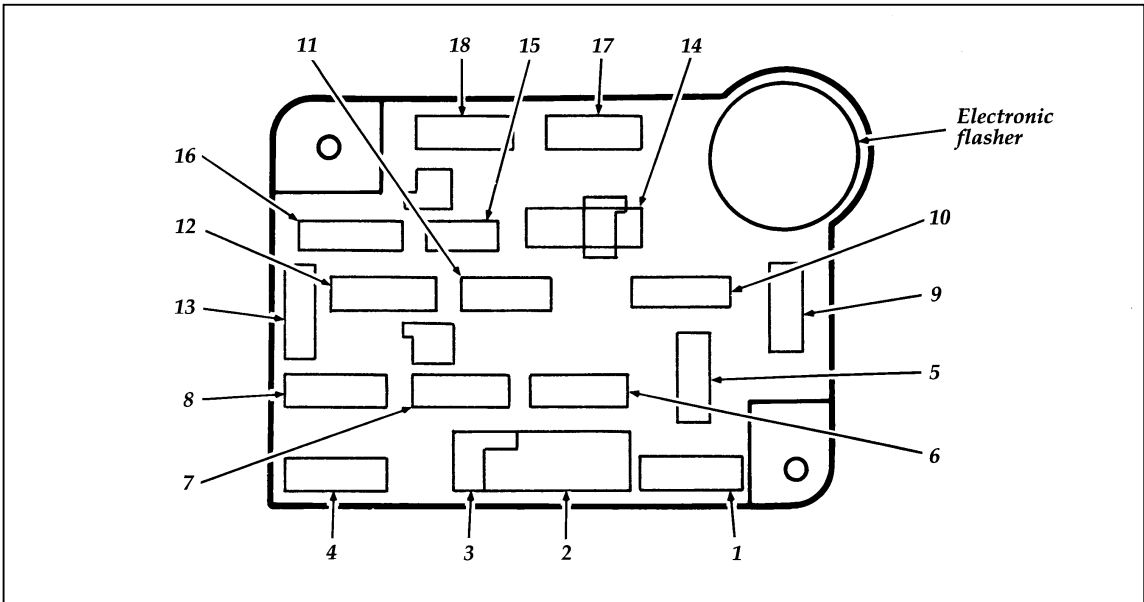
**NOTE: Do not turn the steering wheel of your vehicle with the engine off. It could force power steering fluid out from the reservoir cap or in extreme cases, it could unseat the cap.**

## **Fuses, Fuse Links and Circuit Breakers**

Fuses and circuit breakers protect your vehicle's electrical system from overloading. If electrical parts in your vehicle are not working, the system may have been overloaded and blown a fuse or tripped a circuit breaker. Before you replace or repair any electrical parts, check the appropriate fuses or circuit breakers.

The following charts tell you which fuses or circuit breakers protect each electrical part of your vehicle. If a fuse blows or a circuit breaker opens a circuit, all the parts of your vehicle that use that circuit will not work.

Once you have determined which fuses or circuit breakers to check, follow the procedures under *Checking and replacing fuses* or *Checking and replacing circuit breakers* later in this chapter.



Fuses/circuit breakers and their locations

Fuse/ CB/ Loc.	Fuse Amp. Rating	Description
1	15 Amp	<ul style="list-style-type: none"> <li>• Brake pressure switch</li> <li>• DLC</li> <li>• PSOM</li> <li>• Speed control</li> <li>• Stop/hazard/turn lamp</li> </ul>
2	30 Amp	<ul style="list-style-type: none"> <li>• Wiper control module</li> <li>• Windshield wiper motor</li> </ul>
3	—	Not used
4	20 Amp	<ul style="list-style-type: none"> <li>• Flash-to-pass</li> <li>• Instrument illumination</li> <li>• License lamps</li> <li>• Head and park lamps</li> </ul>
5	15 Amp	<ul style="list-style-type: none"> <li>• Air bag module</li> <li>• Auxiliary battery relay</li> <li>• Back-up lamps</li> <li>• Daytime running lamps (DRL) module</li> <li>• Hazard lamps</li> <li>• Shift lock actuator</li> <li>• Transmission control switch</li> <li>• Turn lamps</li> </ul>
6	20 Amp	<ul style="list-style-type: none"> <li>• Accessory tap</li> <li>• Anti-theft module</li> <li>• Illuminated entry</li> <li>• Remote keyless entry module</li> <li>• Speed control</li> <li>• Trailer battery charge relay</li> </ul>
7	10 Amp	<ul style="list-style-type: none"> <li>• Anti-theft module</li> <li>• Transmission range sensor</li> <li>• Park/neutral position switch</li> <li>• Powertrain control module (PCM)</li> </ul>

Fuse/ CB/ Loc.	Fuse Amp. Rating	Description
8	15 Amp	<ul style="list-style-type: none"> <li>• Anti-theft indicator</li> <li>• Courtesy lamp switch</li> <li>• Dome/map lamp</li> <li>• Illuminated entry</li> <li>• Power mirrors</li> <li>• Radio memory</li> <li>• Remote keyless entry module</li> <li>• Visor lamps</li> </ul>
9	15 Amp	<ul style="list-style-type: none"> <li>• Air conditioner switch</li> </ul>
10	25 Amp	<ul style="list-style-type: none"> <li>• Cigar lighter</li> <li>• Power amplifier</li> <li>• Rear power outlet</li> </ul>
11	15 Amp	<ul style="list-style-type: none"> <li>• Headlamp switch</li> <li>• Radio</li> </ul>
12	20 Amp C.B.	<ul style="list-style-type: none"> <li>• Anti-theft module</li> <li>• Power door locks</li> <li>• Memory lock module</li> </ul>
13	5 Amp	<ul style="list-style-type: none"> <li>• Instrument panel illumination lamps</li> </ul>
14	20 Amp C.B.	<ul style="list-style-type: none"> <li>• Power windows</li> </ul>
15	20 Amp	<ul style="list-style-type: none"> <li>• Air bag module</li> </ul>
16	30 Amp	<ul style="list-style-type: none"> <li>• Modified vehicle power</li> <li>• Power lumbar seats</li> </ul>
17	20 Amp	<ul style="list-style-type: none"> <li>• Programmable speedometer/ odometer module (PSOM)</li> <li>• Rear anti-lock brake system (RABS)</li> </ul>
18	15 Amp	<ul style="list-style-type: none"> <li>• Instrument panel warning lamps</li> <li>• Warning chime</li> </ul>

<b>Circuit Protected</b>	<b>Location</b>	<b>Size</b>
Alternator	Starter Motor Relay	18 Ga.
Alternator	Starter Motor Relay	12 Ga. (2)
Glow Plugs right bank (Diesel)	Starter Motor Relay	14 Ga.
Glow Plugs left bank (Diesel)	Starter Motor Relay	14 Ga.
Powertrain Control Module (Diesel)	Starter Motor Relay	16 Ga. 20 Ga.
Ignition Switch	Power Distribution Box	60 Amp Fuse
Trailer Tow	Power Distribution Box	40 Amp Fuse
Trailer Tow	Power Distribution Box	30 Amp Fuse
Fuse Panel	Power Distribution Box	60 Amp Fuse
Aux. Heater	Power Distribution Box	50 Amp Fuse
Blower Motor	Power Distribution Box	60 Amp Fuse
Modified Vehicle	Power Distribution Box	50 Amp Fuse
Electric Brake	Power Distribution Box	20 Amp Fuse
Driver's Power Seat/Lumbar	Power Distribution Box	50 Amp Fuse
Turn Signal – RH (Trailer Tow)	Power Distribution Box	10 Amp Fuse
Turn Signal – LH (Trailer Tow)	Power Distribution Box	10 Amp Fuse
Running Lights (Trailer Tow)	Power Distribution Box	10 Amp Fuse
Horn	Power Distribution Box	15 Amp Fuse
Trailer Tow & Aux. Batt. Relay	Power Distribution Box	60 Amp Fuse
Fuel Pump (gas engine only)	Power Distribution Box	30 Amp Fuse
Powertrain Control Module	Power Distribution Box	30 Amp Fuse
Underhood Lamp	Power Distribution Box	15 Amp Fuse

**FUSE LINK COLOR CODE:**

BLUE = 20 GA.

BROWN = 18 GA.

GRAY = 12 GA.

BLACK = 16 GA.

GREEN = 14 GA.

## Power Distribution Box

The high current fuses contained in the Power Distribution Box protect your vehicle's main electrical systems from overloads; these fuses provide the connection between the battery and your vehicle's electrical systems.

The high current fuses are coded as follows: 30 amp -light green, 40 amp - orange, 50 amp - red, 60 amp -blue.

 <b>WARNING</b>
--

<b>Always disconnect the battery before servicing high current fuses.</b>
---

Ford recommends that high current fuses be replaced by a qualified technician.

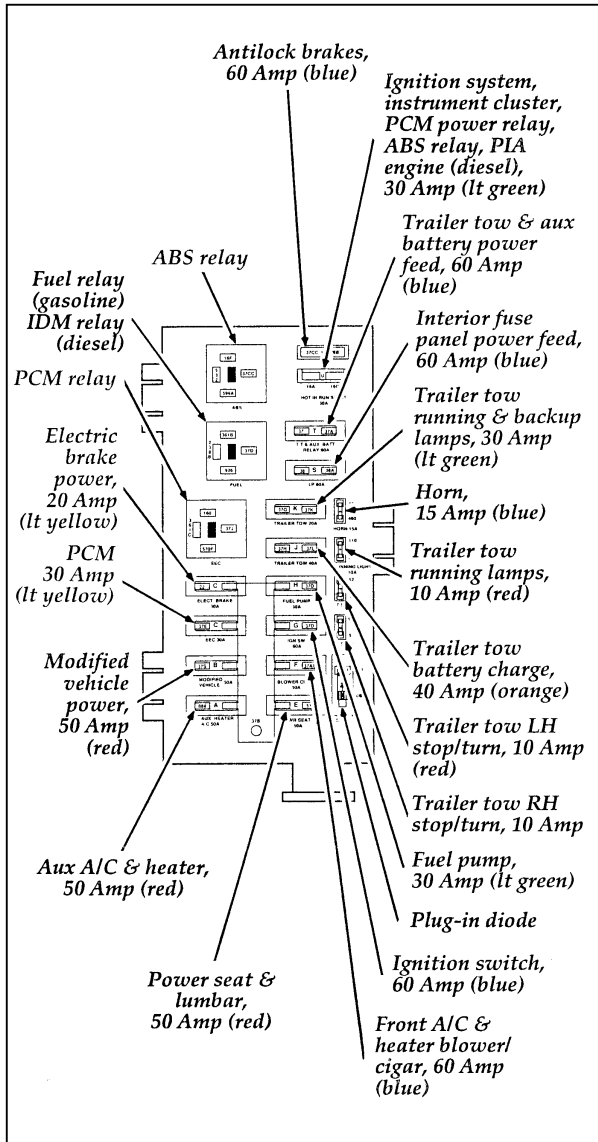
 <b>WARNING</b>
--

<b>Always replace the cover to the Power Distribution Box before reconnecting the battery or refilling fluid reservoirs.</b>
--

A blown high current fuse may be replaced but will continue to blow until the cause of the overload condition is corrected.

 <b>WARNING</b>
--

<b>Always replace a fuse with one that has the specified amperage rating. Using a fuse with a higher amperage rating can cause severe wire damage and could start a fire.</b>
---



**Power distribution box**

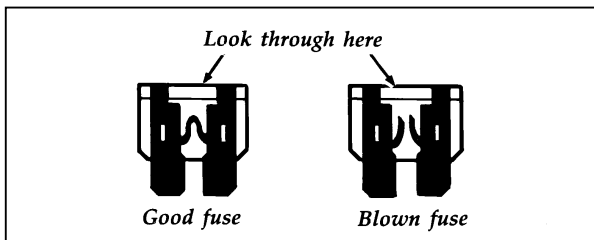
### ***Non-fuse panel circuit protection***

<b>Circuit Protected</b>	<b>Type of Protection</b>	<b>Location</b>
Glow Plug Right Bank	14 Gauge Fuse Link	Starter Motor Relay
Glow Plug Left Bank	14 Gauge Fuse Link	Starter Motor Relay
Alternator	18 Gauge Fuse Link	Starter Motor Relay
Alternator	12 Gauge Fuse Link (2)	Starter Motor Relay
Diesel PCM Relay/KAM	16 Gauge 20 Gauge Fuse Link	Starter Motor Relay

### **Checking and Replacing Fuses**

If you need to check a fuse, follow these steps:

1. You can access the fuse panel through the steering column lower opening. Remove the cover using the quick release fasteners.
2. On the fuse panel cover, find the number of the fuse you want to check. The diagram on the cover tells you where to locate the fuse on the panel.
3. Check the fuse to see if it is blown. Look through the clear side of the fuse to see if the metal wire inside is separated. If it is, the fuse is blown and should be replaced.



**The side view of a fuse**



4. Replace the fuse with one that has the right amperage rating (see previous chart).

**⚠ WARNING**

**Always replace a fuse with one that has the specified amperage rating. Using a fuse with a higher amperage rating can cause severe wire damage and could start a fire.**

5. Put the fuse panel cover back on.

Even after you replace a fuse, it will continue to blow if you do not find what caused the overload. If the fuse continues to blow, have your electrical system checked.

### **Circuit Breakers**

If you need to check a circuit breaker on the fuse panel, see *Checking and replacing fuses* to find out how to locate the fuse panel. Otherwise, locate the circuit breaker according to the instructions on the charts given earlier in this chapter.

Since you need diagnostic equipment to check whether a circuit breaker works and such equipment comes with instructions, we do not discuss how to check circuit breakers.

However, you should know that the circuit breakers will reset themselves and allow the electrical parts to work again once the overload on the circuit is removed. If the circuit breakers continue to cut off electricity, have your vehicle's electrical system checked.

If you replace a circuit breaker, use one with the same amperage rating. To remove a circuit breaker mounted in the fuse panel, grip it with your finger and thumb and pull it straight out of its socket.

## Lights and Bulb Replacement

It is a good idea to check the operation of the following lights frequently:

- headlamps
- tail lamps
- brakelamps
- high-mount brakelamp
- hazard flasher
- turn signals
- license plate lamp

The alignment of your headlamps should be checked if:

- oncoming motorists frequently signal you to turn off your vehicle's high beams when you do not have the high beams on
- the headlamps do not seem to give you enough light to see clearly at night
- the headlamp beams are pointed substantially away from a position slightly down and to the right

## Headlamp Bulb

### *Hi series (Aerodynamic)*

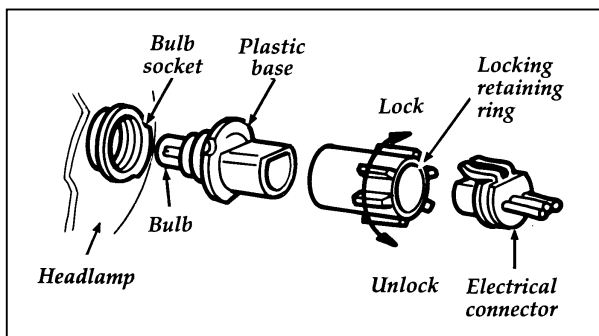
The headlamps on your vehicle use replaceable bulbs. When the lamp burns out, simply replace the bulb, rather than the whole lamp.

#### **⚠ WARNING**

**Handle a halogen headlamp bulb carefully and keep out of children's reach. Grasp the bulb only by its plastic base and do not touch the glass. The oil from your hand could cause the bulb to break the next time the headlamps are operated.**

**NOTE: If the bulb is accidentally touched, it should be cleaned with rubbing alcohol before being used.**

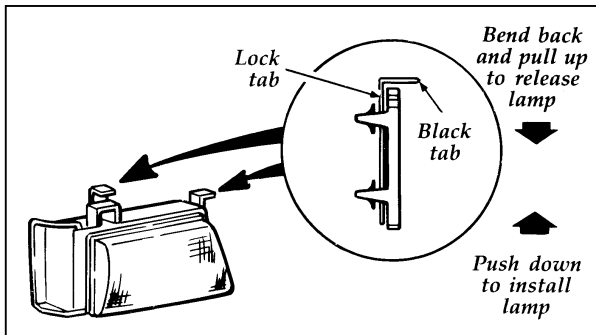
Do not remove the burned-out bulb unless you can immediately replace it with a new one. If a bulb is removed for an extended period of time, contaminants may enter the headlamp housing and affect its performance.



Parts of a headlamp

### ***Removing the headlamp bulb***

1. Make sure that the headlamp switch on the instrument panel is in the OFF position.
2. Lift the hood and fix in up position using prop rod.
3. Bend back slightly and lift up on the two metal tabs while holding the lamp to vehicle. This will release the lamp from the installed position.



### **Removing/Installing the headlamp bulb**

4. Remove the bulb retaining ring by turning it 1/8 of a turn to free it from the socket. Then slide the ring off the plastic base. Keep the ring. You must use it again to hold the new bulb in place.
5. Carefully remove the bulb assembly from its socket by gently pulling it rearward without turning.

### ***Installing the headlamp bulb***

1. With the flat side of the bulb's plastic base facing upward, insert the glass end of the bulb into the socket. You may need to turn the bulb left or right to line up the grooves in the plastic base with the tabs in the socket. When the grooves are aligned, push the bulb into the socket until the plastic base contacts the rear of the socket.
2. Slip the bulb retaining ring over the plastic base until it contacts the rear of the socket. Lock the ring into the socket by rotating it clockwise until you feel a "stop".
3. Reposition the three adjuster screws into the retaining holes and hold while pushing the two black tabs downward to engage the ends of the adjuster screws. You will hear a "snap" when the tabs are properly engaged. Make sure lamp is secured properly by pulling it forward. If it is loose, remove lamp and reinstall.
4. Turn the headlamps on and make sure that they work properly. If the headlamp was correctly aligned before you changed the bulb, you should not need to align it again.

### **High-Mount Brake Lamp Bulbs**

#### ***E-150 — E-350 without cargo lamp attached***

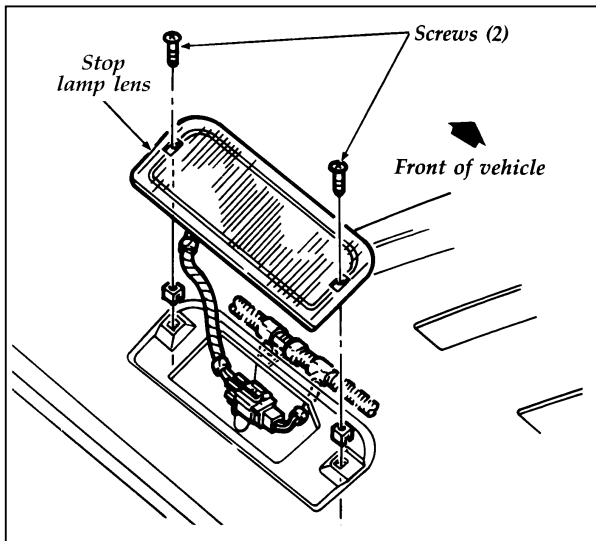
To remove/install or replace a bulb:

1. Remove the two screws that secure the lamp and lift up from the vehicle.
2. Remove the socket that contains the burned-out bulb and replace the bulb.
3. To install a bulb, reverse the procedures above.

### ***E-150 — E-350 with cargo lamp attached***

To remove/install or replace a bulb:

1. Remove the two screws that secure the Hi-mount stop lamp/cargo lamp and lift the assembly from the vehicle.
2. After removing the two screws that secure the lens, remove the cargo lamp lens.
3. Remove the two screws attaching the cargo lamp to the Hi-mount stop lamp.
4. Remove or replace the burned-out bulb(s) in the Hi-mount stop lamp.
5. To install a bulb, reverse the procedures above.



**Replacing the stop lamp bulb**

## Bulb Specifications

Description	No. of Lamps Req'd	Trade Number
Front Lamps – Exterior	–	–
• Low Series Headlamps (Sealed Beam Hi and Low Beam)	2	H6054
• Parking – Park and Turn	2	3157NAK
• Hi Series Headlamps (Aerodynamic Hi and Low Beam)	2	9007
Rear Lamps – Exterior	–	–
• Back-up Lamps	2	3156K
• License Plate Lamp	2	186
• Rear Stop/Tail/Side Marker Lamp	2	3357K
• Rear Turn Lamp	2	3156K
• High-Mount Brakelamp	2	912
Interior Courtesy Lamps	–	–
• Cargo Lamp	1	211-2
• Dome Lamp (Standard)	1	912
• Instrument Panel Gauge Illumination	2	194
• Map/Reading Lamp	2	211-2
Radio Illumination	5	①
Instrument Panel	–	–
• Auto. Trans. Gear Selector Dial, Non-Tilt	1	194
• Tilt Column	1	194
• School Bus Flasher Indicator Light	1	2162
Instrument Cluster	–	–
• Fasten Safety Belt Warning Light	1	194
• Hi Beam Indicator Light	1	194
• Brake Warning Light	1	194
• School Bus Warning Lights	4	4640
• Turn Signal Indicator Lights	2	194
• Rear Antilock System Warning Light	1	194

① Refer bulb replacement to Ford authorized radio service center.


Description	No. of Lamps Req'd	Trade Number
Instrument Panel Switch Nomenclature	—	—
• A/C Control Illumination	1	161
• Heater Control Illumination	1	161

### Rear lighting wire functions

Wire Color	w/Tow Pkg.	Circuit Function
Brown	Brown — White	Parking Lamps
Orange-Lt. Blue Stripe	Dark Green	R.H. Turn Lamp
Lt. Green- Orange Stripe	Yellow	L.H. Turn Lamp
Black-Pink Stripe	Red-Yellow	Reverse Lamps
Black	White	Ground
Lt. Green	—	Brake Lamp

### Emission Control System

Your vehicle is equipped with a catalytic converter which enables your vehicle to comply with applicable exhaust emission requirements.

 <b>WARNING</b>
<b>Exhaust leaks may result in the entry of harmful and potentially lethal fumes into the passenger compartment. Under extreme conditions excessive exhaust temperatures could damage the fuel system, the interior floor covering, or other vehicle components, possibly causing a fire.</b>



To make sure that the catalytic converter and the other emission control parts continue to work properly:

- Use only unleaded fuel.
- Avoid running out of fuel.
- Do not turn off the ignition while your vehicle is moving, especially at high speeds.
- Have the services listed in the *Maintenance Schedule and Record* booklet performed according to the specified schedule. The scheduled maintenance services are required because they are considered essential to the life and performance of your vehicle and to its emissions system.

In general, maintenance, replacement, or service of the emissions control devices or systems in your new Ford Motor Company vehicle or engine may be performed at your expense by any automotive repair establishment or individual using automotive parts equivalent to those which your vehicle or engine was originally equipped.

**⚠ WARNING**

**Do not park, idle, or drive your vehicle in dry grass or other dry ground cover. The emission system heats up the engine compartment and exhaust system, which can start a fire.**

**⚠ WARNING**

**On vehicles without original equipment floor covering or insulation, do not let passengers ride in your truck in a manner that allows contact between skin and the metal floor.**

If other than Ford or Motorcraft or Ford authorized remanufactured parts are used for maintenance, replacement, or for the service of components affecting emissions control, the owner should be assured that such parts are warranted by their manufacturer to be equivalent to genuine Ford Motor Company parts in performance and durability. Please consult your warranty information booklet for complete warranty information.

Watch for fluid leaks, strange odors, smoke, loss of oil pressure, the charge warning light, the check engine light, or the temperature warning light. These sometimes indicate that the emission system is not working properly.

Do not make any unauthorized changes to your vehicle or engine. Changes that cause more unburned fuel to reach the exhaust system can increase the temperature of the engine or exhaust system.

By law, anyone who manufactures, repairs, services, sells, leases, trades vehicles, or supervises a fleet of vehicles is not permitted to intentionally remove an emission control device or prevent it from working. In some of the United States and in Canada, vehicle owners may be liable if their emission control device is removed or is prevented from working.

Do not drive your vehicle if it does not operate properly. See your dealer if the engine runs on for more than five seconds after you shut it off or if it misfires, surges, stalls, or backfires.

Information about your vehicle's emission control system is on the Vehicle Emission Control Information decal located on or near the engine. This decal identifies engine displacement and gives some tune-up specifications.

**NOTE: All current model year vehicles are certified to the same year emissions standards except certain vehicles equipped with engines built prior to January 1 of the model year which may be certified to prior year emissions standards. In either case, the maintenance schedules contained in the back of this Owner Guide must be used to maintain your engine.**

***Noise emissions warranty, prohibited tampering acts***

On January 1, 1978, Federal regulations became effective governing the noise emissions on trucks with a GVWR of over 10,000 lbs (4,536 kgs). The following statements concerning prohibited tampering acts and the noise warranty are found in the *Warranty Information Booklet*, and are applicable to completed Econoline cutaways with a GVWR of over 10,000 lbs (4,536 kgs).

***Do not tamper with the noise control system***

Federal law prohibits the following acts:

1. The removal or dismantlement, (by any person unless for maintenance, repair or replacement purposes) of any device or design element incorporated into any new vehicle to control noise output, prior to its sale or delivery to the consumer, or while it is being used, or
2. Using your light truck after a device or design element has been removed or dismantled, by any person.

The following are some of the acts that are considered tampering:

- Removing the hood liner, fender apron absorbers, fender apron barriers, under body noise shield or material constructed to absorb noise output.
- Removing or dismantling the engine speed governor, so that the engine's speed exceeds the manufacturer's specifications.
- Removing the air duct, air intake choke or silencer, air cleaner and/or air cleaner element.
- Removing or dismantling any of the exhaust system components including the catalyst inlet pipe, muffler, outlet pipe, resonator or diffuser.
- Removing the fan shroud. Removing or dismantling the fan clutch so that it no longer functions properly.

### ***Maintenance***

Instructions for maintenance and service of the noise control system have been included in the *Maintenance Schedule and Record* booklet and in the "General Maintenance Checklist." To aid the noise control system throughout the life of the vehicle, Ford Motor Company recommends that this vehicle should be operated according to the Owner's Guide. When installing replacement parts, use caution not to violate the tampering act as described above. Use the Maintenance Record Log to list any inspections and services performed on the vehicle.

## **Readiness for Inspection/Maintenance Testing**

In some localities it may become a legal requirement to pass an Inspection/Maintenance (I/M) test of the On-Board Diagnostic (OBD) II system. If the vehicle's powertrain system or its battery has just been serviced, the OBD II system is reset to a not ready for I/M testing condition. To prepare for I/M testing, the law specifies a "need for additional mixed city and highway driving to complete the check" of the OBD II system. As soon as all of the OBD II system checks are successfully completed, the OBD II system is set to the ready condition. The amount of driving required to reach the ready condition varies with individual driving patterns. To complete this requirement in the minimum amount of time, refer to the OBD II Drive Cycle defined below. If the vehicle owner cannot or does not want to do the additional driving required by law, a service center can perform this drive cycle as it would any other type of repair work.

### **OBD II Drive Cycle**

The engine must be warmed up and at operating temperature before proceeding with the drive modes of the following OBD II Drive Cycle.

1. Start the engine. Drive or idle (in neutral) the vehicle for 4 minutes.
2. Idle the vehicle in drive (neutral for manual transmission) for 40 seconds.
3. Accelerate the vehicle to 45 mph (70 km/h) at 1/4 to 1/2 throttle for 10 seconds.

4. Drive the vehicle with a steady throttle at 45 mph (70 km/h) for 30 seconds.
5. Idle the vehicle in Drive (Neutral for manual transmissions) for 40 seconds.
6. Continue to drive the vehicle in city traffic at speeds between 25 and 40 mph (40-60 km/h) for 15 minutes. During the 15 minute drive cycle the following modes must be achieved:
  - a. at least 5 stop and idle modes at 10 seconds each
  - b. acceleration from idles at 1/4 to 1/2 throttle position, and
  - c. choose 3 different speeds to do 1.5 minute steady state throttle drives.
7. Accelerate the vehicle up to between 45 and 60 mph (70-100 km/h). This should take approximately 5 minutes.
8. Drive vehicle and hold the throttle steady at the selected speed between 45 and 60 mph (70-100 km/h) for approximately 5 minutes.
9. Drive the vehicle for 5 minutes at varying speeds between 45 and 60 mph (70-100 km/h).
10. Bring the vehicle back to idle. Idle in Drive for 40 seconds.
11. OBD II drive cycle has been completed. Vehicle can be turned off when convenient.

# **Refill Capacities, Motorcraft Parts, and Lubricant Specifications**

## **Refill Capacities**

**NOTE:** Refer to the Diesel Engine Owner's Guide Supplement for refill capacities on diesel engines.

Component	Capacities	
	U.S. Measure	Liters
<b>Engine Crankcase</b> ①	(Quarts)	
4.9L EFI (300 CID) I-6	5	4.7
5.0L EFI (302 CID) V-8	5	4.7
5.8L EFI (351 CID) V-8	5	4.7
7.5L EFI (460 CID) V-8	5	4.7
<b>Rear Axle</b>	(Pints)	
Ford 8.8" Ring Gear Conventional and Traction-Lok ②	5.5	2.6
Dana 9.75" M60-IU ⑤	6.3	3.0
Dana 10.5" M70-2U ⑤	6.6	3.1
Dana 10.5" M70-1HD ⑤	7.4	3.5
Dana 80 11.25" Ring Gear ⑤	7.5	3.5
<b>Transmission</b> ③	(Quarts)	
Automatic C-6	12.0	11.4
Automatic Overdrive (4R70W)	13.9	13.1
Elect. 4-Speed Automatic (E4OD)(4x2 only)	15.7	14.7
<b>Fuel Tank</b> <b>Wheelbase</b>	(Gallons)	
Vans and Club Wagons – 4.9L Engine      138"	35.0	132.5
Vans and Club Wagons – All gas engines ④      138"	35.0	132.5
Standard E-350 Cutaway or Stripped Chassis      138"	35.0	132.5
	158"	⑥
	176"	⑥
E-Super Duty      158"	55.0	208
	176"	55.0
<p>① Add 1 quart (or equivalent in Liters) for filter replacement.</p> <p>② Fill 1/4" to 9/16" (6.4 mm to 14.2 mm) below bottom of fill hole on all E-150 rear axles.</p> <p>③ Always use automatic transmission fluid dipstick to determine exact fluid requirement.</p> <p>④ For 7.3L Diesel Vans &amp; Club Wagons, refer to the 7.3L Diesel Engine Owner's Guide Supplement.</p> <p>⑤ Fill Dana rear axles to 1/4"-3/4" below bottom of fill hole.</p> <p>⑥ 55 gal. (208L) optional, 35 gal. (132.5L) standard.</p> <p>NOTE: All rear axle lube quantities must be replaced every 100,000 miles (160,000 km) or if the axle has been submerged in water. Otherwise, the lube should not be checked or changed unless a leak is suspected or repair required. Refer to the maintenance schedule at the back of this guide.</p>		



Model	Engine	Vehicle Equipment	Capacities ①②	
			U.S. Qts.	Liters
All Econoline Models	4.9L EFI (300 CID) I-6	Auto. Trans. Without Air Conditioning	17	16
		Auto. Trans. With Air Conditioning or Super Cooling	17	16
E-150	5.0L EFI (302 CID) V-8	Standard	19.6	18.5
		Air Conditioning or Super Cooling	20	18.9
E-150 E-250 E-350	5.8L EFI (351 W CID) V-8	Standard Cooling	19.8	18.7
		Air Conditioning or Super Cooling	20.2	19.1
E-350	7.5L EFI (460 CID) V-8	All Options	23.6	22.3
① Add 1 quart (0.9 liters) for heater.				
② Add 1.8 quarts (1.7 liters) for auxiliary heater (Econoline models).				

## Motorcraft Parts

Engine	4.9L EFI	5.0L EFI	5.8L EFI	7.5L EFI
Spark Plug ①	BSF-44P*	ASF-42P	ASF-32P ⑤	ASF-42P
Oil Filter	FL-1A	FL-1A	FL-1A	FL-1HP
Air Filter	FA-1046	FA-1046	FA-1046	FA-1046
Fuel Filter	FG-872	FG-872	FG-872	FG-872
Crankcase Emission Filter	Not Required	Not Required	FA-1603 ④	FA-1603 ②
Battery – Standard	BXT-65-650	BXT-65-650	BXT-65-650	BXT-65-650
Optional	BXT-65-850	BXT-65-850	BXT-65-850	BXT-65-850
Auxiliary ③	BH-50DC	BH-50DC	BH-50DC	BH-50DC
P.C.V. Valve	EV-111	EV-140	EV-68	EV-218
① Refer to Vehicle Emission Control Information Decal for spark plug and gap specifications. ② E-250/350 (49 states) and E-Super Duty (All). ③ Offered only for cutaway applications. ④ E-350 49 states only. ⑤ ASF-32C for E-350 (49 states only). * Natural Gas – BSF-44PM				

Item	Ford Part Name	Ford Part Number	Ford Specification
Windshield Washer Reservoir	Ultra-Clear Wind. Washer Concentrate	C9AZ-19550-AA or BA	ESR-M17P5-A
Body Hinges, Latches, Door Striker Plates and Rotors, Seat Tracks, Door Checks and Tracks, Hood Latch and Auxiliary Latch, Fuel Filler Door Hinge and Spring	Multi-Purpose Grease	D7AZ-19584-AA or D0AZ-19584-AA	ESR-M1C159-A and ESB-M1C93-B
Lock Cylinders, Outside Spare Tire Lock	Penetrating Lubricant	E8AZ-194501-B	ESB-M2C20-A
Pivots, Parking Brake Linkage Pivots and Clevises. Transmission Control Linkage Levers and Pivots, Front Bearings, Brake Pedal Shaft, Slip Spline, Universal Joints with Grease Fittings, and Automatic Transmission Shift Linkage and Throttle Valve (TV) Linkage Pivots, or Kickdown Linkage Pivots	Premium Long Life Grease	XG-1-C	ESA-M1C75-B

Lubricant Specifications

Item	Ford Part Name	Ford Part Number	Ford Specification
Hydraulic Clutch Master Cylinder and Hydraulic Brake Master Cylinder	High Performance DOT 3 Brake Fluid	C6AZ-19542-AA	ESA-M6C25-A
Brake and Clutch Pedal Pivots and Clevises	Engine Oil SAE-10W	–	WSS-M2C153-F
Engine Oil – Gasoline Engines*	Motorcraft Motor Oil 5W30 Super Premium	X0-5W30-QSP	WSS-M2C153-F with API Certification Mark
	10W30 Super Premium	X0-10W30-QSP	
Engine Oil – Diesel Engines	Consult Separate Diesel Engine Owner's Guide Supplement		
C6 Automatic Transmission Electronic 4-Speed Automatic Transmission (E4OD or 4R70W)	Motorcraft MERCON® Automatic Transmission Fluid	XT-2-QDX	MERCON®
Door Weatherstrips	Silicone Lubricant	C0AZ-19553-AA and D7AZ-19553-AA	ESR-M13P4-A
Power Steering Reservoir	Premium Power Steering Fluid	XT-2-QDX	MERCON®

\* For proper oil usage, refer to *Engine Oil Recommendations* in this chapter.

Item	Ford Part Name	Ford Part Number	Ford Specification
Parking Brake Cable	Speedometer Cable Lubricant	E6TZ-19581-A	ESF-M1C160-A
Engine Oil Filter – 4.9L, 5.0L, 5.8L and 7.5L (except 7.5L Off Road/Severe Duty) 7.5L Off Road/Severe Duty	Motorcraft Long Life Oil Filter Motorcraft Long Life Oil Filter	(FL-1A) D9AZ-6731-A FL-1HP E7TZ-6731-A	ES-E1ZE-6714-AA ES-E1ZE-6714-AA (modified)
Accelerator Throttle Lever and Transmission Kickdown Lever Ball Studs	Premium Long Life Grease	XG-1-C	ESA-M1C75-B
Disc Brake Caliper Rails	Disc Brake Caliper Slide Grease	D7AZ-19590-A	ESA-M1C172-A
Ford Conventional and Traction-Lok Axles (E-150) ①	Motorcraft SAE 80W90 Premium Rear Axle Lubricant	XY-80W90-QL	WSP-M2C197-A
Dana Traction-Lok and Conventional Axles (E-250 and E-350's) ②	Motorcraft SAE 80W90 Premium Rear Axle Lubricant	XY-80W90-QL	WSP-M2C197-A
Synthetic Rear Axle Lube (75W-140) Severe/Extreme Use Only	Motorcraft High Performance Rear Axle Lube (Service Only)	F1TZ-19580-B	WSL-M2C192-A
Dana 80 Axle (E-Super Duty)	Motorcraft High Performance Rear Axle Lube (Service Only)	F1TZ-19580-B	WSL-M2C192-A
E-Super Duty Parking Brake Assembly	Motorcraft Mercon® Automatic Transmission Fluid	XT-2-QDX	Mercon®
① Add 4 oz. (118 ml) of ESW-M2C118-A (friction modifier Part No. C8AZ-19B546-A) for complete refill of Ford Traction-Lok rear axles. ② Add 6 oz. (237 ml) of WSP-M2C196-A (friction modifier Part No. F3TZ-19B546-MA) for complete refill of Dana Traction-Lok Axles.			

<b>Item</b>	<b>Ford Part Name</b>	<b>Ford Part Number</b>	<b>Ford Specification</b>
Exhaust Control Valve	Rust Penetrant and Inhibitor	F2AZ-19A501-A	ESR-M99C56-A
Engine Coolant	Ford Premium Cooling System Fluid	E2FZ-19549-AA	ESE-M97B44-A
Steering Linkage – Lubricant Only Where Equipped With Grease Fittings	Premium Long Life Grease	XG-1-C	ESA-M1C75-B

# Vehicle Storage

## Maintenance Tips

If you plan on storing your vehicle for an extended period of time (60 days or more), refer to the following maintenance recommendations to ensure your vehicle stays in good operating condition.

### ***General***

- Store all vehicles in a dry, ventilated place.
- Protect from sunlight, if possible.
- If vehicles are stored outside, they require regular maintenance to protect against rust and damage.

### ***Body***

- Wash vehicle thoroughly to remove dirt, grease, oil, tar or mud from exterior surfaces, rear wheel housing and underside of front fenders.
- Periodically wash vehicles stored in exposed locations.
- Touch-up raw or primed metal to prevent rust.
- Cover chrome and stainless steel parts with a thick coat of auto wax to prevent discoloration. Re-wax as necessary when the vehicle is washed.
- Lubricate all hood, door and trunk lid hinges and latches with a light grade oil.
- Cover interior soft trim to prevent fading.
- Keep all rubber parts free from oil and solvents.

### ***Engine***

- Start engine every 15 days. Run at fast idle until it reaches normal operating temperature.
- With your foot on the brake, shift through all the gears while the engine is running.

### ***Fuel system***

- Fill fuel tank with high-quality unleaded fuel until the first automatic shutoff of the fuel pump nozzle.

**NOTE: During extended periods of vehicle storage (60 days or more), fuel may deteriorate due to oxidation. This can damage rubber and other polymers in the fuel system and may also clog small orifices.**

Ford Gas Stabilizer should be added whenever actual or expected storage periods exceed 60 days. Follow the instructions on the label. The vehicle should then be operated at idle speed to circulate the additive throughout the fuel system.

**NOTE: Read the *7.3L Diesel Engine Owner Guide Supplement* for information regarding vehicle storage for your diesel-powered vehicle.**

A volatile corrosion inhibitor added to the fuel system will protect the fuel system's inner surfaces from corrosion. Follow the instructions packaged with the product.

### ***Cooling system***

- Protect against freezing temperatures.



### ***Battery***

- Check and recharge as necessary.
- Keep connections clean and covered with a light coat of grease.

### ***Brakes***

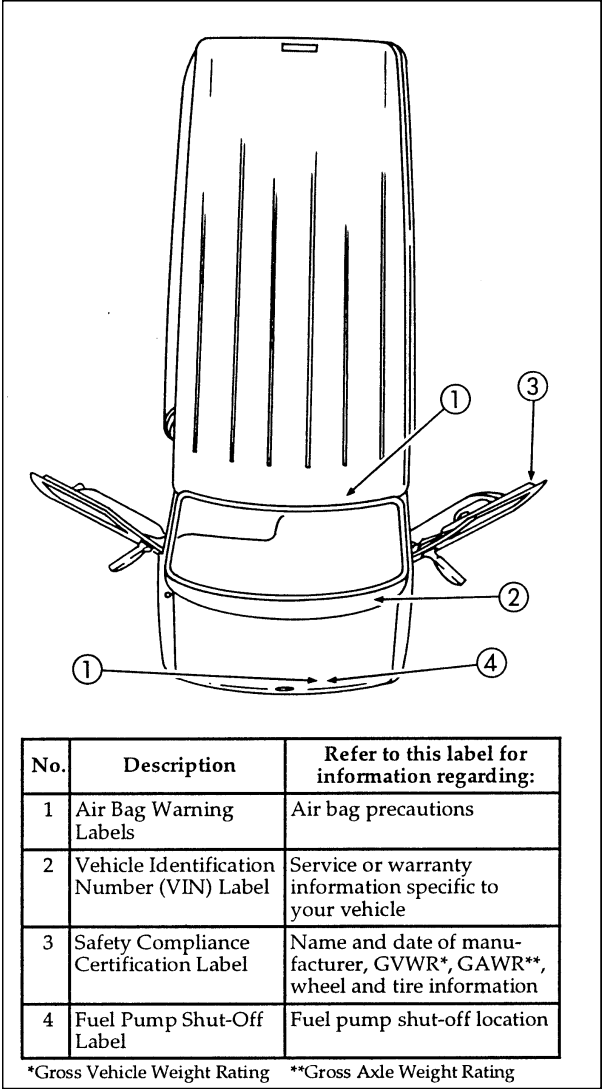
- Make sure brakes and parking brake are fully released.

### ***Tires***

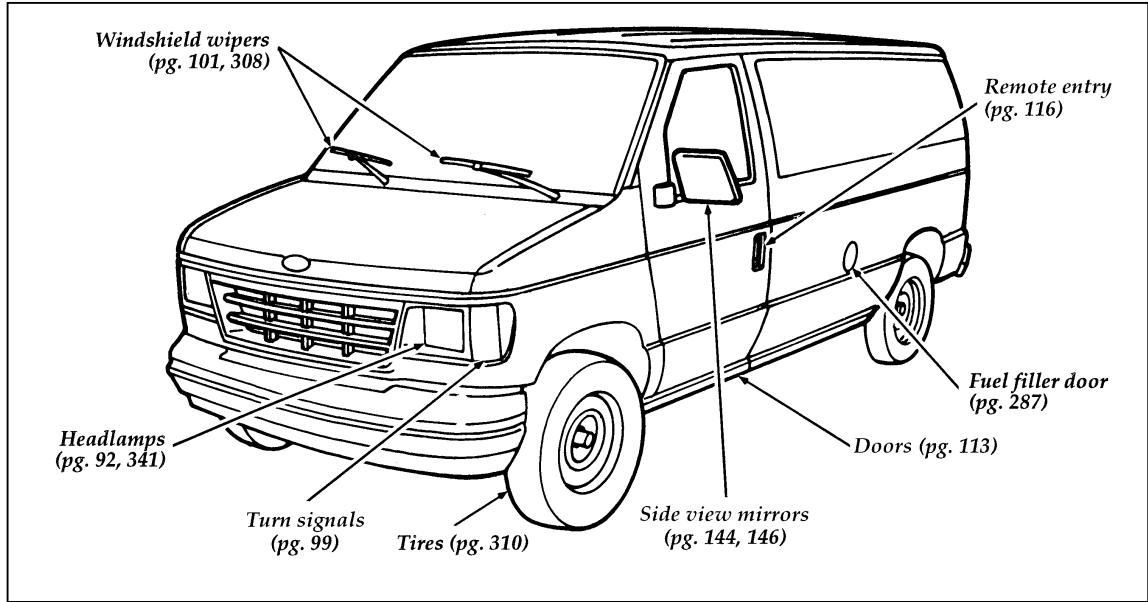
- Maintain recommended air pressures.

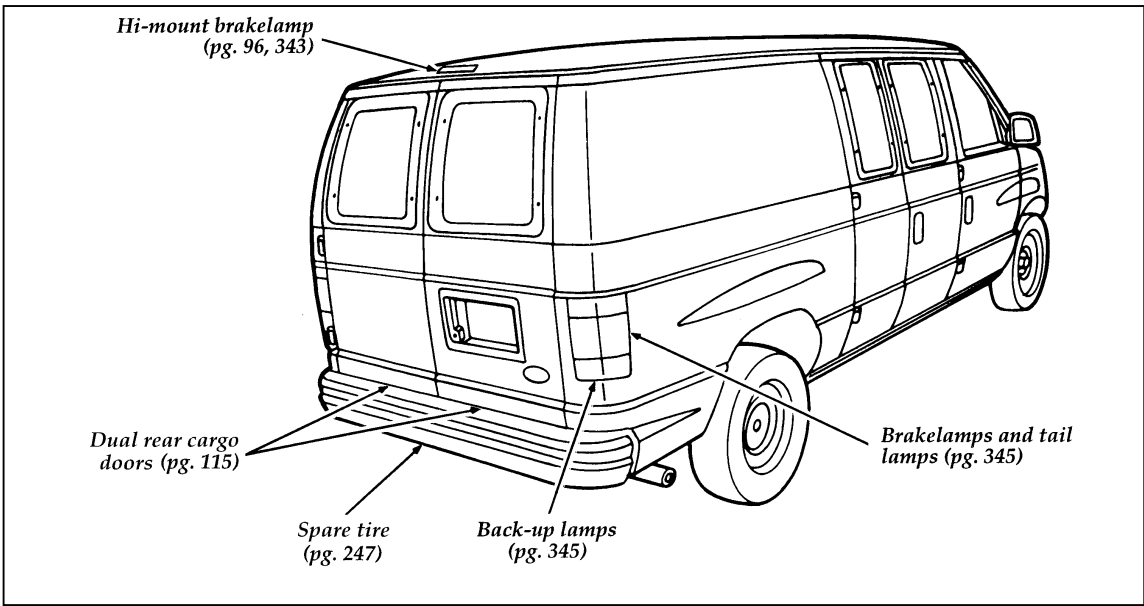
### ***Miscellaneous***

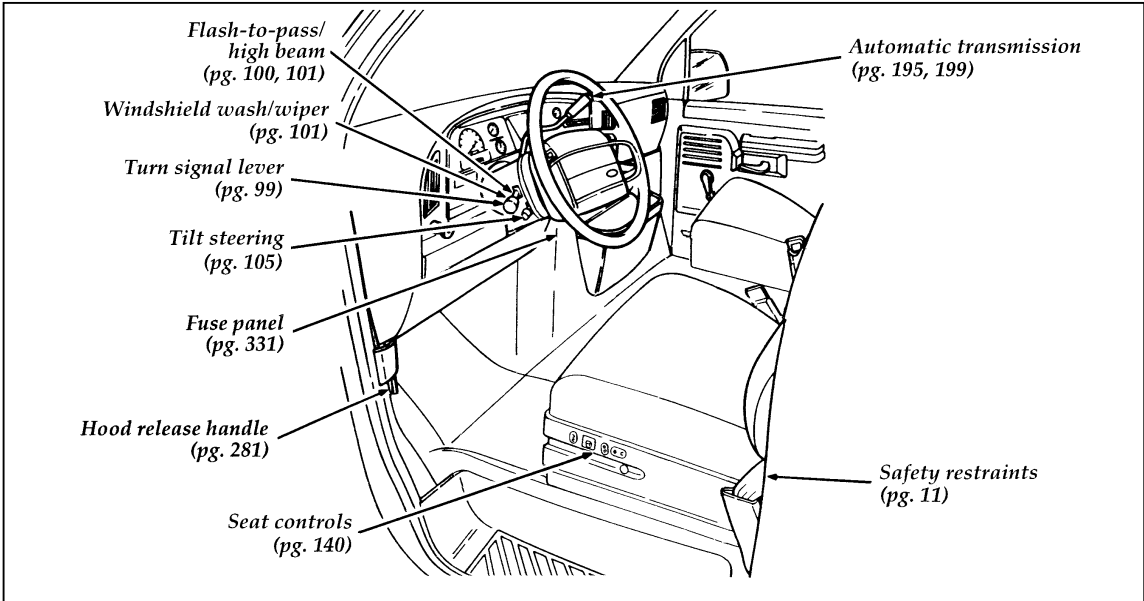
- Make sure all linkages, cables, levers and clevis pins under vehicle are covered with grease to prevent rust.
- Move vehicles at least 25 feet (10 m) every 15 days to lubricate working parts to prevent corrosion.

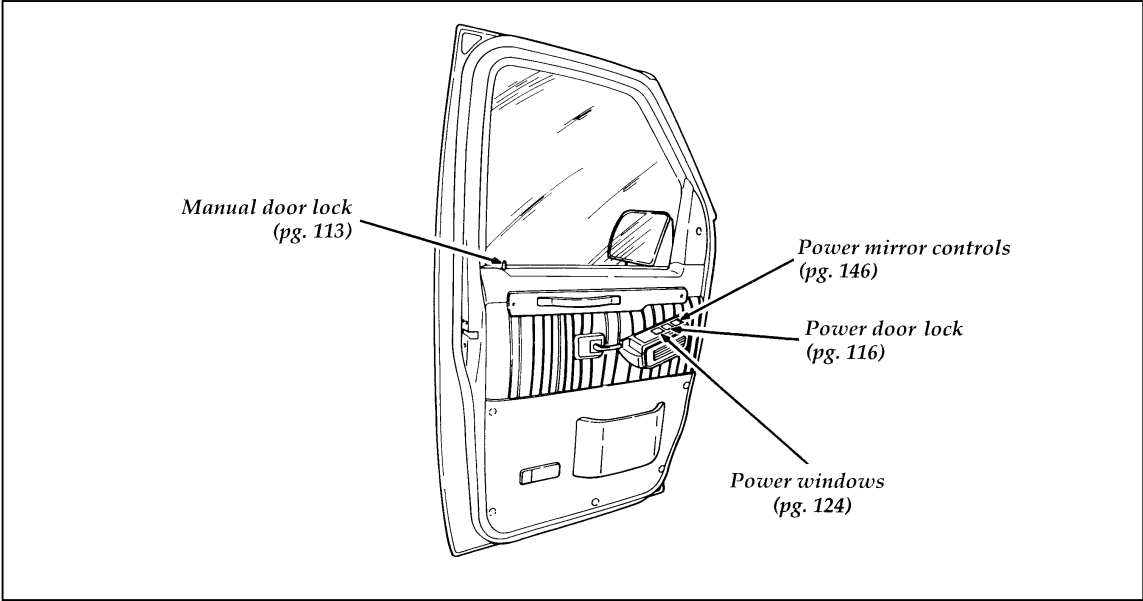


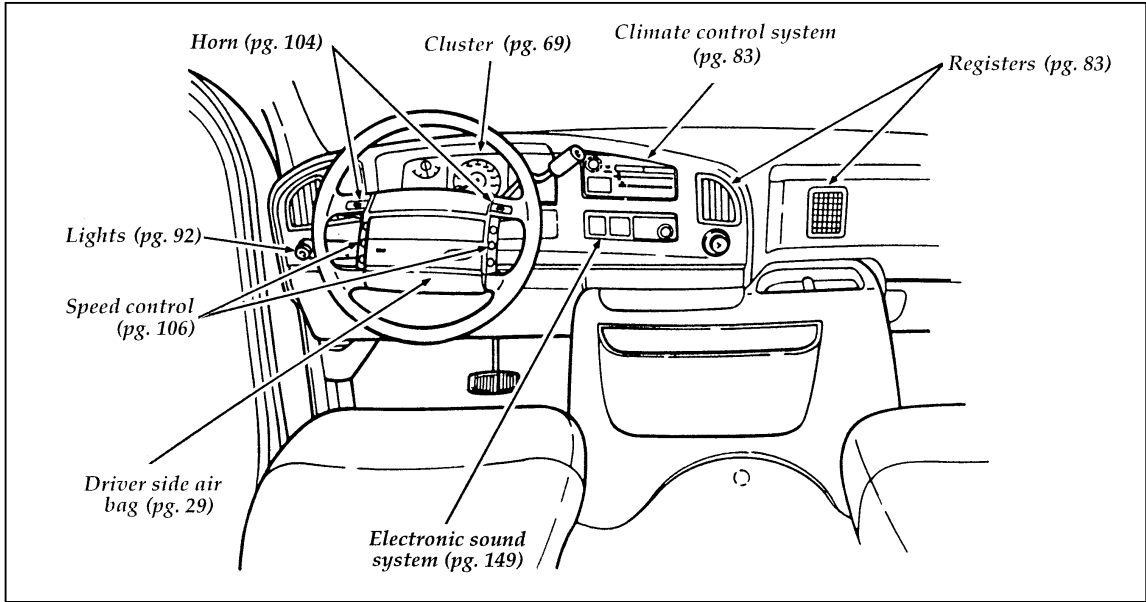
**Warning label locations**

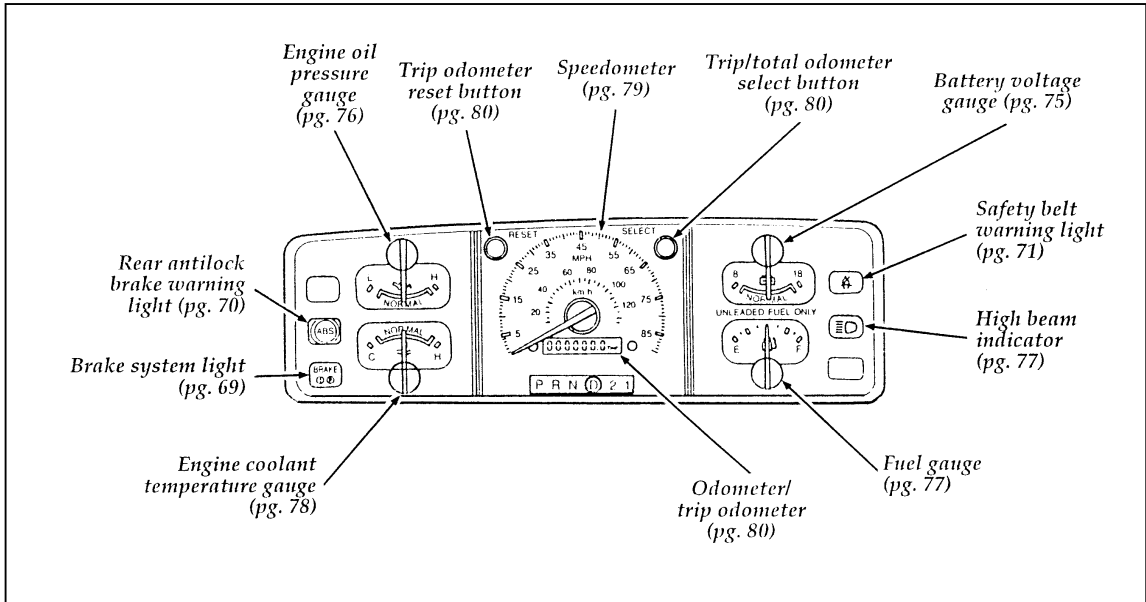














---

# Index

---

## A

- ABS warning light
  - (see Anti-lock brake system) . . . . . 70
- Accessory position on the ignition . . . . . 55–56
- Accessory power source,
  - power point outlet . . . . . 148
- Additives, engine oil . . . . . 297
- Air bag supplemental restraint system . . . . . 29
  - and child safety seats. . . . . 41
  - description. . . . . 29, 31
  - disposal . . . . . 36
  - driver air bag . . . . . 29, 31
  - indicator light . . . . . 74
  - operation . . . . . 31
  - passenger air bag. . . . . 31
  - proper seating . . . . . 30
  - service and information labels. . . . . 36
  - tone generator . . . . . 32
  - wearing safety belts . . . . . 29
- Air cleaner filter
  - location . . . . . 283
  - specification s. . . . . 356
- Air conditioning
  - auxiliary heater and air conditioner . . . . . 91
  - manual heating and air conditioning system . . . . . 87
- Alarm, activating remote personal . . . . . 117
- Alcohol, in fuel. . . . . 291
- Antenna, radio
  - (see Electronic sound system) . . . . . 149, 190
- Antifreeze (see Engine coolant) . . . . . 301
- Anti-lock brake system (ABS)
  - description. . . . . 206
  - noise . . . . . 209
  - see also Brake . . . . . 206
  - warning light . . . . . 70

Anti-theft system	
arming the system . . . . .	121
description . . . . .	121
disarming an untriggered system . . . . .	122
disarming a triggered system. . . . .	122
triggering . . . . .	121–122
warning light . . . . .	75
Appeals (see Dispute settlement board) . . . . .	262
Assistance (see Customer assistance). . . . .	259
Audio system	
(see Electronic sound system) . . . . .	149
Automatic transaxle, fluid,	
refill capacities . . . . .	353
Automatic transmission	
driving an automatic overdrive. . . . .	197, 199, 203
driving a regular automatic . . . . .	195
fluid, adding . . . . .	324
fluid, checking . . . . .	323
fluid, refill capacities . . . . .	353
fluid, specification. . . . .	357
Axle	
lubricant specifications. . . . .	357
refill capacities . . . . .	353
traction lok. . . . .	216, 312

## **B**

Backing up . . . . .	197, 202
Basic vehicle warranty . . . . .	4
Battery	
acid, treating emergencies . . . . .	244, 320–321
auxiliary battery . . . . .	320
charging system warning light . . . . .	74
disconnecting . . . . .	247
how to service . . . . .	319
jumping a disabled battery. . . . .	243
maintenance-free . . . . .	319
proper disposal, recycling . . . . .	320
replacement, specifications . . . . .	356
servicing . . . . .	320
voltage gauge. . . . .	74–75
when storing your vehicle . . . . .	363

Brake fluid	
brake warning light . . . . .	69
checking and adding . . . . .	326
description . . . . .	326
specifications . . . . .	326
Brakelamp, high-mount brakelamp . . .	96, 343
Brakes	
adjustment . . . . .	206
anti-lock . . . . .	206
anti-lock brake system (ABS)	
warning light . . . . .	70
applying the brakes . . . . .	212
brake warning light . . . . .	69
fluid, checking and adding . . . . .	326
fluid, refill capacities . . . . .	353
fluid, specifications . . . . .	326
front disc . . . . .	206
if brakes do not grip well . . . . .	211
master cylinder . . . . .	326
new brake linings . . . . .	8
noise . . . . .	206
parking . . . . .	212
power braking . . . . .	206
rear anti-lock . . . . .	208
servicing . . . . .	211
stopping distances . . . . .	212
trailer . . . . .	238
when storing your vehicle . . . . .	363
Brake-shift interlock . . . . .	60, 196, 202
Break-in period . . . . .	8
Brights (high beams) . . . . .	77
Bulbs, replacing . . . . .	340
halogen . . . . .	341
headlamps . . . . .	341
high-mount brakelamp . . . . .	343

## C

Canada, customer assistance . . . . .	268
Canada, warranty information . . . . .	4
Canadian Motor Vehicle Arbitration Plan (CAMVAP). . . . .	269

Capacities for refilling fluids . . . . .	353
Carbon monoxide in exhaust . . . . .	65
Car seats for children (see Child safety seats) . . . . .	41
Cassette tape player (see Electronic sound system) 164, 170, 178, 184	
Catalytic converter. . . . .	346
CD player (see Electronic sound system). . . . .	156
Chains, tires . . . . .	318
Changing a tire . . . . .	247
Charging system gauge . . . . .	75
Charging system warning light . . . . .	74
Child safety restraints . . . . .	38
child safety belts . . . . .	40
child safety seats . . . . .	41
Child safety seats and air bags . . . . .	41
attaching with tether straps . . . . .	53
automatic locking mode (retractor) . . . . .	41
in front seat . . . . .	41
in rear outboard seat . . . . .	41
tether anchorage hardware. . . . .	53
Chime headlamps on. . . . .	77
key in ignition . . . . .	56
safety belt . . . . .	71
Circuit breakers checking and replacing . . . . .	339
see also fuses. . . . .	331
Cleaning your vehicle CD player and discs. . . . .	161
chrome and aluminum parts . . . . .	10
engine compartment. . . . .	287
exterior . . . . .	9
exterior lamps . . . . .	93
fabric . . . . .	141
headlamps . . . . .	93
instrument panel lens . . . . .	97
interior lamps. . . . .	97
plastic parts . . . . .	10
polishing. . . . .	9

Cleaning your vehicle (continued)	
rustproofing . . . . .	10
safety belts . . . . .	28
tail lamps . . . . .	93
upholstery and interior trim . . . . .	141
washing . . . . .	9
wheels . . . . .	319
Climate control system	
air conditioning . . . . .	87
heating . . . . .	87
heating onlsystem. . . . .	83
heating only system. . . . .	83
Clock . . . . .	156, 173, 189
Cold engine starting. . . . .	59
Combination lap and shoulder belts . . . . .	11, 14
Compact disc player	
(see Electronic sound system) . . . . .	150, 156
Compact disc radio	
(see Electronic sound system) . . . . .	150
Console, description . . . . .	147
Controls	
instrument panel . . . . .	81
mirrors . . . . .	143, 146
power seat . . . . .	140
steering column . . . . .	99
Coolant (see Engine coolant) . . . . .	301
checking and adding . . . . .	301
drain and flush. . . . .	306
preparing for storage . . . . .	362
proper solution. . . . .	303
refill capacities . . . . .	353
specifications . . . . .	305
temperature gauge . . . . .	78
Cooling fan. . . . .	280
Crankcase emission filter. . . . .	356
Cruise control (see Speed control) . . . . .	106
Customer Assistance Center, Ford (U.S.). . . . .	261
Customer Assistance Centre,	
Ford of Canada. . . . .	261, 268

## D

Dashboard (see Instrument panel) . . . . .	81
Daytime running light system . . . . .	93
Defects, reporting . . . . .	266
Dipstick	
automatic transmission fluid . . . . .	322, 324
engine oil . . . . .	298
power steering fluid . . . . .	328
Disabled vehicle (see Towing) . . . . .	258
Dispute Settlement Board . . . . .	262
Doors . . . . .	113
Driveline universal joint and slip yoke . . . . .	326
Driving under special conditions	
bad weather . . . . .	216
heavy load . . . . .	218
high speed . . . . .	215
high water . . . . .	217
slippery roads . . . . .	216
tips for safe driving . . . . .	214
towing a trailer . . . . .	219

## E

Electrical system	
circuit breakers . . . . .	339
fuses . . . . .	331, 338
operating when the engine is off . . . . .	56
power point outlet . . . . .	148
Electronic AM radio (see Electronic sound system). . . . .	187
Electronic radio with cassette (see Electronic sound system) . . . . .	178
Electronic sound system	
radio reception . . . . .	190
tuning the radio . . . . .	151, 165, 180, 188
warranty and service information. . . . .	193
Electronic stereo cassette radio (see Electronic sound system) . . . . .	178

Electronic stereo radio (see Electronic sound system) . . . . .	178
Emergencies, roadside	
assistance . . . . .	259
battery acid spills. . . . .	243, 321
jump-starting. . . . .	243
towing. . . . .	258
Emergency brake (parking brake). . . . .	212
Emission control system . . . . .	346
catalytic converter . . . . .	346
emissions warranty . . . . .	4, 346, 349
Engine	
check engine warning light . . . . .	71
diesel . . . . .	6
fuel injected engine, starting . . . . .	57, 59
fuel pump shut-off switch . . . . .	63
preparing to start. . . . .	58
refill capacities . . . . .	353
service points . . . . .	283
starting . . . . .	55, 59
starting after a collision . . . . .	63
storing your vehicle. . . . .	361-362
Engine block heater . . . . .	62
Engine coolant	
checking and adding . . . . .	301
checking hoses . . . . .	305
disposal . . . . .	301, 304, 324
drain and flush. . . . .	306
preparing for storage . . . . .	362
proper solution. . . . .	303
recovery reservoir . . . . .	283, 302
refill capacities . . . . .	353
refill procedure. . . . .	306
specifications . . . . .	304
temperature gauge . . . . .	78
Engine coolant temperature gauge . . . . .	78

Engine fan . . . . .	280
Engine knocking. . . . .	290
Engine oil	
changing oil and oil filter . . . . .	300
checking and adding . . . . .	298
dipstick . . . . .	298
disposal . . . . .	301, 304, 324
engine oil pressure gauge . . . . .	76
filter, specifications . . . . .	356
refill capacities . . . . .	353
specifications . . . . .	297
synthetic oil . . . . .	297
“break-in” oils . . . . .	8
viscosity . . . . .	297
Entry system	
illuminated . . . . .	120
remote . . . . .	116
Exhaust fumes . . . . .	65
Extended Service Plan, Ford . . . . .	4

## F

Fan, engine fan, avoiding injury . . . . .	280
Federal Communications Commission . . . . .	192
Federal Highway Administration	
Regulation . . . . .	7
Flashers, hazard . . . . .	103
Flashing the lights. . . . .	101
Flat tire. . . . .	247
Fluid refill capacities. . . . .	353
Ford Customer Assistance Center . . . . .	261
Ford Dispute Settlement Board . . . . .	262
Ford Extended Service Plan . . . . .	4
Ford Motor Company of Canada . . . . .	268
Ford of Canada Customer	
Assistance Centre . . . . .	268
Foreign registration . . . . .	267
Four-Wheel Drive vehicles, special notice . . . . .	5
French owner guides, how to obtain . . . . .	3



<b>Fuel</b>	
calculating fuel economy . . . . .	295
capacity . . . . .	353
choosing the right fuel . . . . .	289
comparisons with EPA fuel economy estimates . . . . .	296
filling your vehicle with fuel. . . . .	287
filter, specifications . . . . .	356
fuel gauge . . . . .	77
improving fuel economy . . . . .	296
octane rating . . . . .	290
quality. . . . .	289, 291
running out of fuel . . . . .	295
safety information relating to automotive fuels . . . . .	292
storing your vehicle. . . . .	362
treating emergencies . . . . .	292
<b>Fuel cap</b>	
removing . . . . .	288
replacing. . . . .	288, 294
<b>Fuel filler door . . . . .</b>	<b>288</b>
remote release . . . . .	287
<b>Fuel filter, specifications . . . . .</b>	<b>356</b>
<b>Fuel gauge . . . . .</b>	<b>77</b>
<b>Fuel pump shut-off switch</b>	
engine does not start . . . . .	63
starting after a collision . . . . .	63
<b>Fuse panels, instrument panel . . . . .</b>	<b>332, 338</b>
<b>Fuses</b>	
charts . . . . .	338
checking and replacing . . . . .	338
circuit breakers . . . . .	339

## **G**

Gas cap (see Fuel cap). . . . .	287
Gas mileage (see Fuel economy) . . . . .	289, 295
Gasoline (see Fuel) . . . . .	287

Gauges, Mechanical	
battery voltage gauge . . . . .	75
charging system gauge . . . . .	75
engine coolant temperature gauge . . . . .	78
engine oil pressure gauge . . . . .	76
fuel gauge . . . . .	77
speedometer . . . . .	79
GAWR (Gross Axle Weight Rating)	
calculating . . . . .	225
definition. . . . .	218, 223
driving with a heavy load . . . . .	218
Gearshift	
automatic operation . . . . .	195, 200
column-mounted . . . . .	195, 200
locking the gearshift. . . . .	55
positions . . . . .	195, 200
shifting the gears . . . . .	195, 200
shift-lock . . . . .	60, 196, 202
Gearshift:shifting the gears . . . . .	195, 200
GVWR (Gross Vehicle Weight Rating)	
calculating . . . . .	225
definition. . . . .	218, 223
driving with a heavy load . . . . .	218

## H

Hazard flashers . . . . .	103
Headlamps	
aiming . . . . .	340
checking alignment . . . . .	340
cleaning . . . . .	93
daytime running lights . . . . .	93
flashing . . . . .	101
high beam . . . . .	100
replacing bulbs . . . . .	340-341
turning on and off . . . . .	92
warning chime . . . . .	77
Heating	
heating and air conditioning system . . . . .	87

Heating (continued)	
standard heater system . . . . .	83
High beams	
indicator light . . . . .	77
operation . . . . .	92, 100
High-mount brakelamp	
description . . . . .	343
replacing the bulb . . . . .	343
High-mount brakelamp:location . . . . .	96
Hitch . . . . .	237
Hood	
latch location . . . . .	281
release lever . . . . .	281
working under the hood . . . . .	280
Horn. . . . .	104
Hoses, checking. . . . .	305

## I

Identification Number, Vehicle (VIN) . . . . .	6
Idle, relearning . . . . .	57, 247, 280
Ignition	
chime . . . . .	56
positions of the ignition . . . . .	55
removing the key. . . . .	56
Indicator lights and chimes (see Lights) . . . . .	67
Infant seats (see Safety seats). . . . .	38, 41
Instrument cluster. . . . .	67
mechanical. . . . .	69
Instrument panel	
cleaning . . . . .	97
lighting up panel and interior . . . . .	94
location of components . . . . .	81
registers . . . . .	83
Interval wipers . . . . .	101–102

## J

Jack	
operation . . . . .	250, 252
positioning. . . . .	252

Jump-starting your vehicle	
attaching cables . . . . .	245
disconnecting cables . . . . .	247

## K

### Keys

key in ignition chime . . . . .	56
positions of the ignition . . . . .	55
removing from the ignition . . . . .	56
stuck in lock position . . . . .	55–56

## L

### Lamps

cargo lamps . . . . .	94
checking . . . . .	340
courtesy lamps . . . . .	94
daytime running light system . . . . .	93
dome lamps . . . . .	94
flashing the lamps. . . . .	101
hazard flashers . . . . .	103
headlamps . . . . .	92
high beams. . . . .	100
high-mount brakelamp . . . . .	96, 343
illuminated entry system. . . . .	120
illuminated mirrors . . . . .	143
instrument panel, dimming . . . . .	94
interior lamps. . . . .	92, 94
replacing bulbs . . . . .	340
Lane change indicator (see Turn signal) . . . . .	99
Lap belts . . . . .	22
Lights, warning and indicator	
air bag. . . . .	74
anti-lock brakes (ABS) . . . . .	70
anti-theft . . . . .	75
brake . . . . .	69
charging system. . . . .	74
check engine . . . . .	71
engine oil pressure . . . . .	76
hazard warning light . . . . .	103

Lights, warning and indicator (continued)	
high beam . . . . .	77
overdrive off . . . . .	201
rear ABS . . . . .	70
safety belt . . . . .	71
testing the warning lights . . . . .	58
theft system . . . . .	75
turn signal indicator . . . . .	99
Load limits	
GAWR. . . . .	218
GVWR. . . . .	218
trailer towing. . . . .	220
Lubricant specifications . . . . .	357
Lug nuts	
standard . . . . .	252
tightening sequence. . . . .	255
Lumbar support, seats. . . . .	141

## M

Maintenance schedule and record (see separate Maintenance Schedule and Record booklet) . . . . .	3
Maintenance (see Servicing) . . . . .	279
Master cylinder, brakes . . . . .	326
Mileage, calculating fuel economy . . . . .	295
Mirrors	
dual electric remote control . . . . .	146
rearview . . . . .	143
side view mirrors (manual) . . . . .	144
side view mirrors (power). . . . .	146
vanity mirror. . . . .	143
vanity mirror, illuminated . . . . .	143
Motorcraft parts. . . . .	356

## N

National Highway Traffic Safety Administration . . . . .	266
New vehicle break-in . . . . .	8

## O

Octane rating . . . . .	290
Odometer. . . . .	80
Oil filter . . . . .	300, 356
Oil (see Engine oil) . . . . .	297
Oil viscosity . . . . .	297
On-board diagnostic (OBD II) system . . . . .	351
Order forms, service information . . . . .	152
Overdrive. . . . .	203
Overseas offices . . . . .	267

## P

Panic alarm feature, remote entry system . . . . .	117
Parking brake	
operation. . . . .	212
warning light . . . . .	69
Parts (see Motorcraft Parts). . . . .	356
PCV valve, specifications. . . . .	356
Power door locks . . . . .	116
Power features	
door locks . . . . .	116
lumbar support . . . . .	141
mirrors. . . . .	143, 146
seats . . . . .	140
windows . . . . .	123–124
Power point electrical outlet . . . . .	148
Power steering	
dipstick . . . . .	328
driving with power steering . . . . .	206
fluid, checking and adding. . . . .	328
fluid, refill capacity . . . . .	353
fluid, specifications . . . . .	329
servicing . . . . .	206
Prop rod, hood . . . . .	281

## R

Radio (see Electronic sound systems) . . . . .	149
Rear anti-lock brakes . . . . .	208
Rear axle	
lubricant specification . . . . .	357
refill capacity. . . . .	353
traction lok. . . . .	216, 312
Rear window . . . . .	123
washer reservoir . . . . .	308
Refill capacities for fluids . . . . .	353
Remote entry system . . . . .	116
arming and disarming the anti-theft system . . . . .	118
illuminated entry . . . . .	120
locking/unlocking doors . . . . .	117
panic alarm . . . . .	117
replacement/additional transmitters . . . . .	120
replacing the batteries. . . . .	118
Reporting safety defects . . . . .	266
Restraints, safety (see Safety restraints)	
adult . . . . .	11
child. . . . .	38
infant . . . . .	38, 41
Roadside assistance . . . . .	259
Roadside emergencies . . . . .	243
Rotating the tires . . . . .	312

## S

Safe driving tips . . . . .	214
Safety belts (see Safety restraints). . . . .	11
Safety chains, when towing a trailer . . . . .	238
Safety defects, reporting . . . . .	266
Safety information relating to automotive fuels. . . . .	292
Safety restraints	
automatic locking mode (retractor) . . . . .	13
center front lap belt. . . . .	22
center rear lap belt . . . . .	22
cleaning the safety belts . . . . .	28

Safety restraints (continued)	
dual locking mode retractors . . . . .	13
extension assembly . . . . .	27
for adults . . . . .	11
for children. . . . .	38
for infants . . . . .	38, 41
for pregnant women. . . . .	11
for third row bench seats . . . . .	16
lap and shoulder belts. . . . .	14
maintenance . . . . .	28
proper use . . . . .	11
replacement . . . . .	28
untwisting or unjamming the safety belt . . . . .	24
warning light and chime. . . . .	71
Safety seats for children	
and air bags . . . . .	41
attaching with tether straps . . . . .	53
in front seat . . . . .	41
in rear outboard . . . . .	41
in rear seat . . . . .	41
tether anchorage hardware. . . . .	53
Seat belts (see Safety restraints) . . . . .	11
Seats	
adjusting the seat, manual . . . . .	124
adjusting the seats, power . . . . .	140
bench, removable . . . . .	129
bench, three passenger. . . . .	129
child safety seats . . . . .	41
cleaning upholstery . . . . .	141
lumbar support . . . . .	141
quick release rear captain's chair . . . . .	126
seat/bed conversion. . . . .	138
Serial number (VIN) . . . . .	6
Service concerns. . . . .	260
Servicing your vehicle	
precautions when servicing . . . . .	280
servicing when you tow . . . . .	258
Shift-lock system . . . . .	60, 196, 202
Shift positions (see Gearshift) . . . . .	195, 200



Shoulder and lap belts (see Safety restraints) . . . . .	14
Shoulder belts (see Safety restraints) . . . . .	14
Side mirrors, adjusting. . . . .	146
Snow tires and chains . . . . .	318
Spare tire	
changing the tire . . . . .	247, 250
conventional spare . . . . .	247
finding the spare . . . . .	248
removing the spare tire . . . . .	248
Spark plugs, specifications . . . . .	356
Special driving conditions . . . . .	214
Special notice	
ambulance conversions . . . . .	5
diesel-powered vehicles . . . . .	6
Specification chart, lubricants. . . . .	357
Speed control	
accelerating . . . . .	108
canceling a set speed . . . . .	111
resetting . . . . .	108
resuming a set speed . . . . .	111
tap up/tap down. . . . .	108
when towing a trailer . . . . .	239
Speedometer . . . . .	79
Starting your vehicle	
preparing to start your vehicle. . . . .	58
starting a cold engine . . . . .	59
starting after a collision . . . . .	63
starting a warm engine . . . . .	60
starting your vehicle if the battery is disabled. . . . .	243
Steering, power . . . . .	206
Steering wheel	
horn. . . . .	104
locking . . . . .	55
speed controls . . . . .	106
tilting . . . . .	105
Storage compartments	
center console . . . . .	147
underseat storage drawer . . . . .	142

Storing your vehicle . . . . .	361
Supplemental air bag readiness light . . . . .	74
Supplemental Restraint System (SRS) . . . . .	29

## T

Tail lamps, cleaning . . . . .	93
Temperature control (see Climate control) . . . . .	83
Testing the warning lights . . . . .	58
Tether anchor installation (see Child restraints) . . . . .	53
Tilt steering wheel. . . . .	105
Tires	
changing . . . . .	247
checking the pressure . . . . .	310–311
cleaning . . . . .	319
inspection and maintenance . . . . .	311
replacing . . . . .	315
rotating . . . . .	312
snow tires and chains . . . . .	318
spare tire. . . . .	247–248
storing your vehicle . . . . .	363
tire grades . . . . .	315
treadwear . . . . .	315
wear bands. . . . .	315
wheel and tire matching. . . . .	318
Towing a trailer (see Trailer towing) . . . . .	219
Towing your vehicle. . . . .	258
with a tow truck . . . . .	258
Traction-lok rear axle . . . . .	216, 312
Trailer Towing . . . . .	219
Trailer towing	
calculating maximum trailer weight. . . . .	225
safety chains . . . . .	238
trailer brakes . . . . .	238
Transmission	
automatic operation . . . . .	195, 200

Transmission (continued)	
fluid, checking and adding (automatic) . . . . .	323
fluid, refill capacities . . . . .	353
lubricant specifications . . . . .	357
Transmission control switch . . . . .	197, 203
Transmitter (see Remote entry) . . . . .	116
Tune-up specifications (VECI) . . . . .	348
Turn signal	
indicator lights . . . . .	99
lever . . . . .	99

## U

Used engine oil, disposal . . . . .	301, 304, 324
-------------------------------------	---------------

## V

Vanity mirror . . . . .	143
Variable interval wipers . . . . .	102
VECI (Vehicle Emission Control Information) decal. . . . .	348
Vehicle Identification Number (VIN) . . . . .	6
Vehicle loading . . . . .	220
calculating the load . . . . .	225
Vehicle storage . . . . .	361
Ventilating your vehicle (see Climate control) . . . . .	83
Viscosity (see Engine oil) . . . . .	297
Voltmeter (see Battery voltage gauge) . . . . .	75

## W

Warm engine, starting . . . . .	60
Warning chimes	
headlamps on . . . . .	77
key in ignition . . . . .	56
safety belt . . . . .	71
Warning lights, testing. . . . .	58
Warning lights (see Lights). . . . .	67
Warranties	
basic. . . . .	4
Canada . . . . .	4

Warranties (continued)	
radio . . . . .	193
Warranty Information Booklet . . . . .	4
Washer fluid	
rear window reservoir . . . . .	308
reservoir . . . . .	308
windshield . . . . .	308
Weight limits (GAWR, GVWR) . . . . .	218
Wheel and tire matching . . . . .	318
Wheel bearings lubricant specifications . . . . .	357
Wheel dollies (see Towing) . . . . .	258
Wheels	
cleaning . . . . .	319
covers . . . . .	252
inspection and maintenance . . . . .	310
lug nuts . . . . .	250
replacement . . . . .	318
Windows . . . . .	123
power windows, operating . . . . .	123
Windshield, washing . . . . .	101
Windshield washer fluid and wipers . . . . .	101
checking and adding fluid . . . . .	308
checking and replacing wiper blades . . . . .	309
liftgate reservoir . . . . .	308
operation . . . . .	101
reservoir . . . . .	308
specifications . . . . .	308, 357
variable interval wipers . . . . .	102
Windshield wipers and washer . . . . .	101
Wrecker towing . . . . .	258