

# A Word to Mazda Owners

---

Thank you for choosing a Mazda. We at Mazda design and build vehicles with complete customer satisfaction in mind.

To help ensure enjoyable and trouble-free operation of your Mazda, read this manual carefully and follow its recommendations.

An Authorized Mazda Dealer knows your vehicle best. So when maintenance or service is necessary, that's the place to go.

Our nationwide network of Mazda professionals is dedicated to providing you with the best possible service.

We assure you that all of us at Mazda have an ongoing interest in your motoring pleasure and in your full satisfaction with your Mazda product.

**Mazda Motor Corporation**  
HIROSHIMA, JAPAN

## **Important Notes About This Manual**

Keep this manual in the glove box as a handy reference for the safe and enjoyable use of your Mazda. Should you resell the vehicle, leave this manual with it for the next owner.

Please be aware that this manual applies to all models, equipment and options. As a result, you may find some explanations for equipment not installed on your vehicle.

All specifications and descriptions are accurate at the time of printing. Because improvement is a constant goal at Mazda, we reserve the right to make changes in specifications at any time without notice and without obligation.

## **Air Conditioning and the Environment**

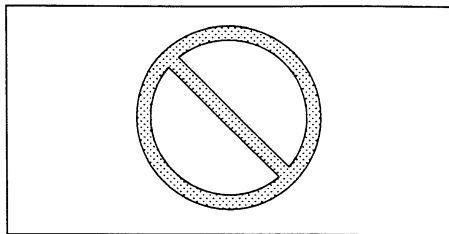
Your Mazda's genuine air conditioner is filled with R134a, a refrigerant that has been found not to damage the earth's ozone layer. If the air conditioner does not operate properly, consult an Authorized Mazda Dealer.

# How to Use This Manual

---

We want to help you get the most driving pleasure from your vehicle. Your owner's manual, when read from cover to cover, can do that in many ways.

Illustrations complement the words of the manual to best explain how to enjoy your Mazda. By reading your manual, you can find out about the features, important safety information, and driving under various road conditions.



The above symbol in this manual means “Do not do this ” or “Do not let this happen”.

**Index:** A good place to start is the Index, an alphabetical listing of all information in your manual.

**Sections:** This manual has eleven sections. Sections 1 through 10 begin with a brief list of contents, so you can usually tell at a glance if that section has the information you want.

You'll find several WARNINGS, CAUTIONS, and NOTES in the manual.

## **WARNING**

*A WARNING indicates a situation in which serious injury or death could result if the warning is ignored.*

## **CAUTION**

A CAUTION indicates a situation in which bodily injury or damage to your vehicle, or both, could result if the caution is ignored.




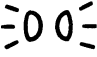








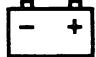










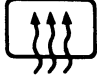




## **NOTE**

A NOTE provides information and sometimes suggests how to make better use of your vehicle.

# How to Use This Manual

## Graphic symbols:

Some of the following symbols are used to identify controls and displays on your vehicle.

						
LIGHTS	HEADLIGHT HIGH BEAM	HEADLIGHT LOW BEAM	PARKING LIGHTS	ILLUMINATION CONTROL	TURN SIGNALS	HAZARD WARNING FLASHER
						
HOOD RELEASE	CHECK ENGINE LIGHT	FUEL	ENGINE COOLANT TEMPERATURE	ENGINE OIL	BATTERY CHARGING SYSTEM	SEAT BELTS
						
BRAKE SYSTEM	VENTILATION FAN	AIR RECIRCULATION	FRESH AIR	VENT	VENT-FLOOR	FLOOR
						
FLOOR DEFROSTING	DEFROSTING	REAR WINDOW DEFROSTER	WINDSHIELD WIPER & WASHER	LIGHTER	HORN	WASHER FLUID



# Table of Contents

---

<b>Your Vehicle at a Glance</b>	<b>1</b>
<b>Essential Safety Equipment</b>	<b>2</b>
<b>Knowing Your Mazda</b>	<b>3</b>
<b>Protecting Your Mazda</b>	<b>4</b>
<b>Driving Your Mazda</b>	<b>5</b>
<b>In Case of an Emergency</b>	<b>6</b>
<b>Appearance Care</b>	<b>7</b>
<b>Maintenance</b>	<b>8</b>
<b>Customer Information</b> Including Information on How to Report Safety Defects (page 9-10)	<b>9</b>
<b>Specifications</b>	<b>10</b>
<b>Index</b>	<b>11</b>



# 1

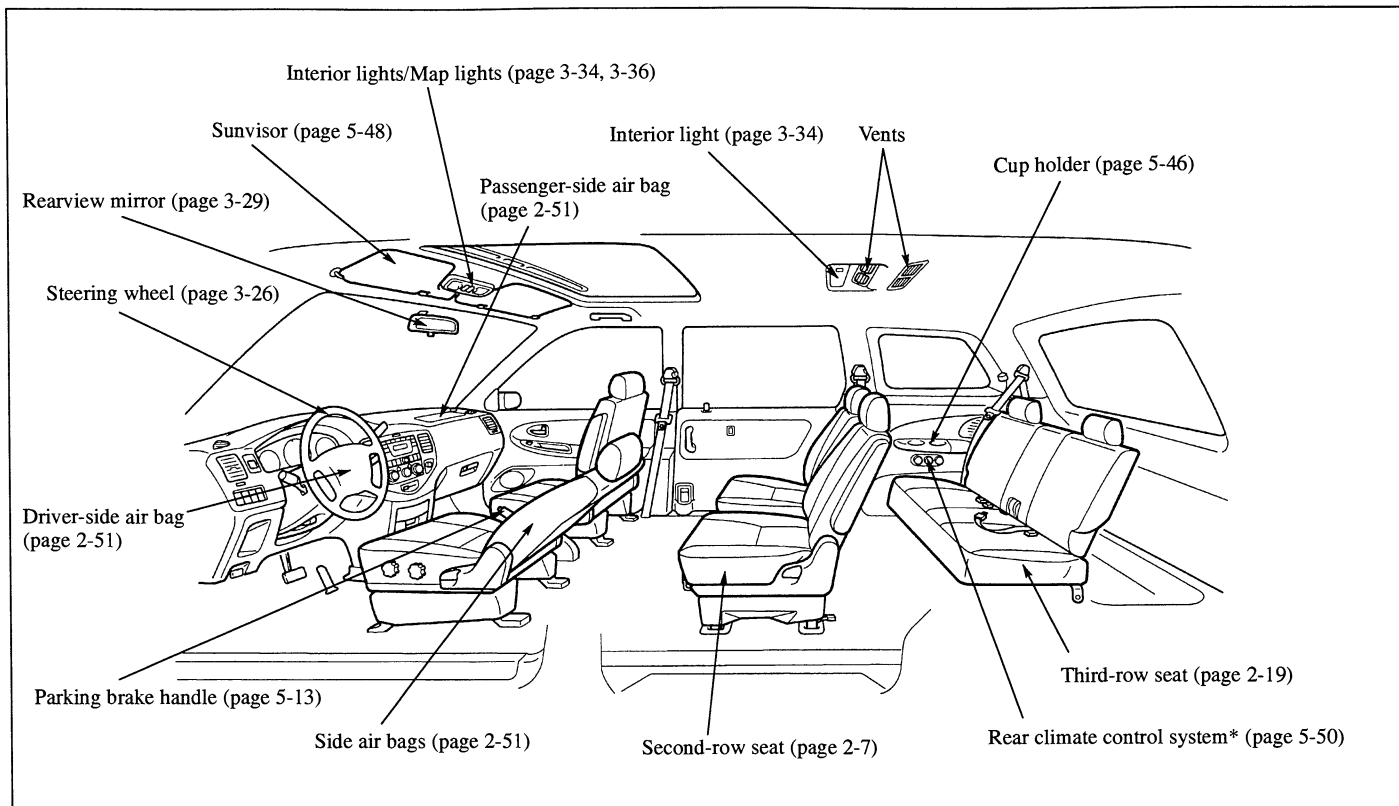
## Your Vehicle at a Glance

*Your Mazda is a complex vehicle, but the design throughout considers your safety and comfort paramount. This requires many controls, locks, graphic symbols, mechanisms and amenities that need to be understood for proper operation.*

*Section 1 illustrates this information to familiarize you with what needs to be known to help make your motoring safer and easier, and lots more fun.*

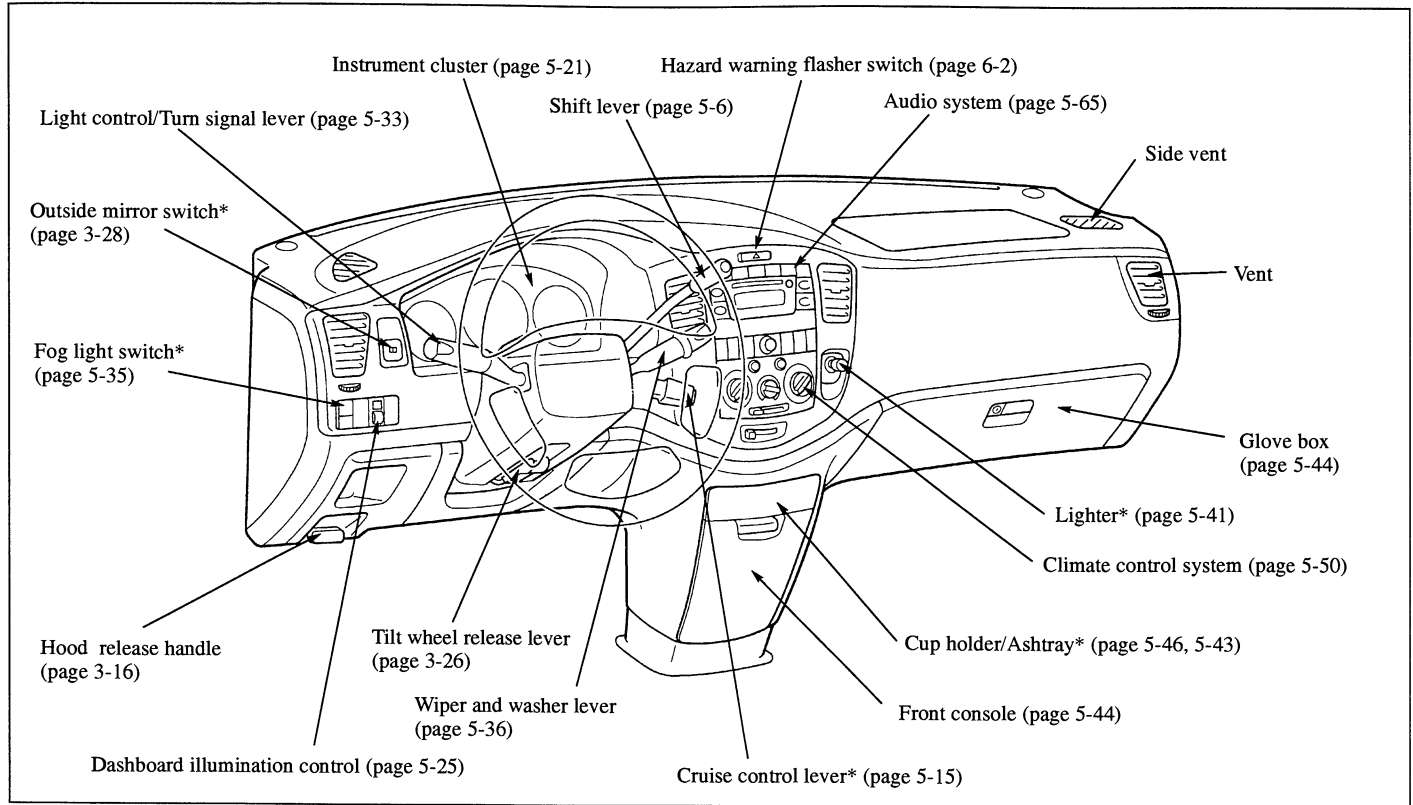
Interior Overview	1- 2
Dashboard Overview	1- 3
Doors	1- 4

## Interior Overview

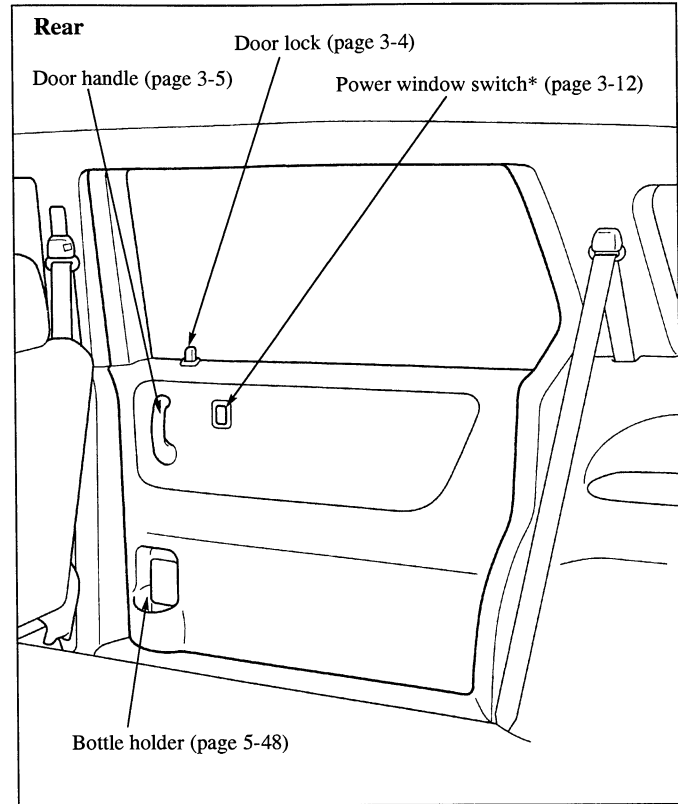
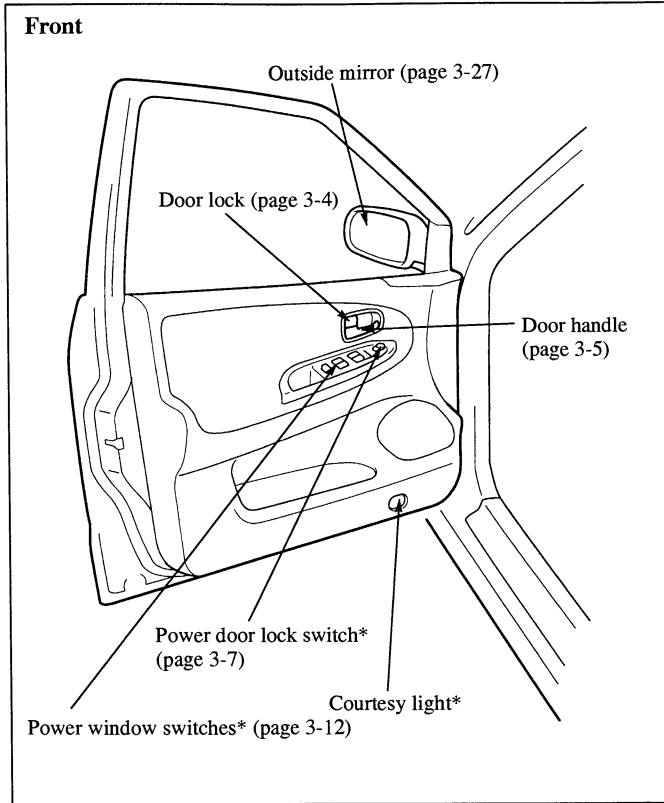




## Dashboard Overview



## Doors



# 2

## Essential Safety Equipment

*Personal safety and comfort are what make driving your Mazda a pleasurable experience. Section 2 describes essential information for optimal safe driving including seats, seat belt systems and the supplemental restraint systems.*

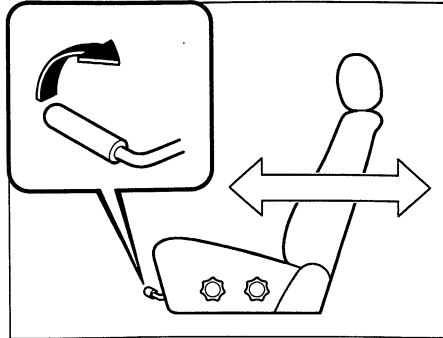
Front Seats	2- 2
Rear Seats	2- 6
Seat Belt System	2-31
Child Restraint	2-41
Supplemental Restraint Systems	2-51

## Front Seats

### **WARNING**

#### Securing the Seats:

*Adjustable seats and seatbacks that are not securely latched are dangerous. In a sudden stop or collision, the seat or seatback could move, causing injury. Make sure the adjustable components of the seat are locked in place by attempting to slide the seat forward and backward and rocking the seatback.*



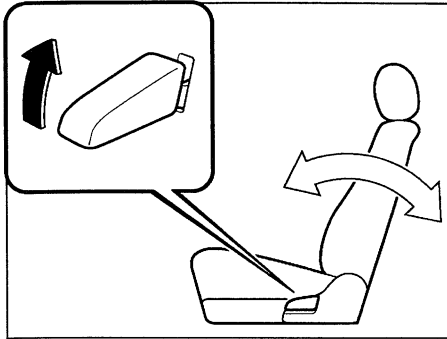
#### ■ Seat Slide

To move a seat forward or backward, raise the lever and slide the seat to the desired position.

### **WARNING**

#### Driver's Seat Adjustment:

*Adjusting the driver's seat while the vehicle is moving is dangerous. The driver could lose control of the vehicle and have an accident. Adjust the driver's seat only when the vehicle is stopped.*



■ **Seat Recline**

To change the seatback angle, lean forward slightly while raising the lever. Then lean back to the desired position and release the lever.

Make sure the lever returns to its original position and the seatback is locked in place by attempting to push it forward and backward.

**⚠ WARNING**

***Reclining:***  
*Sitting in a reclined position while the vehicle is moving is dangerous because you don't get the full protection from seat belts. During sudden braking or a collision, you can slide under the lap belt and suffer serious internal injuries. For maximum protection, sit well back and upright.*

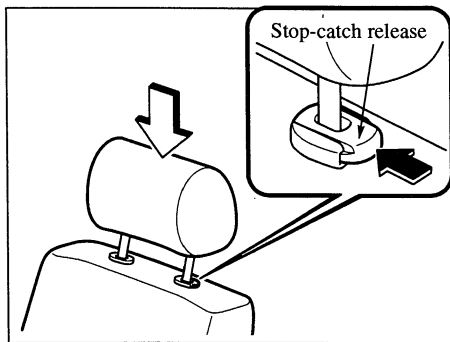
**⚠ CAUTION**

When returning a rear-reclined seatback to its upright position, make sure you support the seatback while operating the seatback lever. If the seatback is not supported, it will flip forward suddenly and could cause injury.

■ **Head Restraint**

**⚠ WARNING**

***Head Restraints Adjustment:***  
*Driving with the head restraints adjusted too low or removed is dangerous. With no support behind your head, your neck could be seriously injured in a collision. Always drive with the head restraints inserted when seats are being used and make sure they are properly adjusted.*

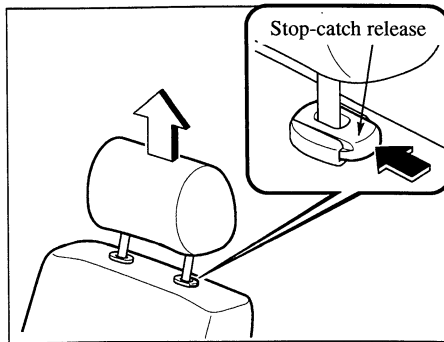


### ▼ Height adjustment

To raise a head restraint, pull it up to the desired position.

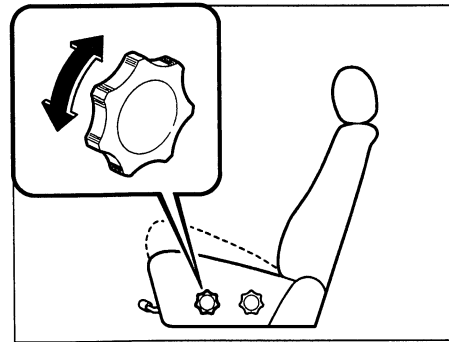
To lower the head restraint, press the stop-catch release, then push the head restraint down.

Adjust the head restraint so that the top parallels the top of the passenger's ears, never the passenger's neck.



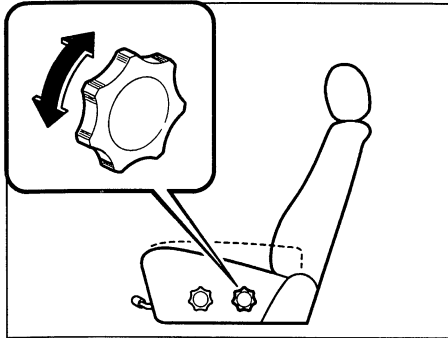
### ▼ Removal

To remove the head restraint, press the stop-catch release, then pull up on the head restraint.

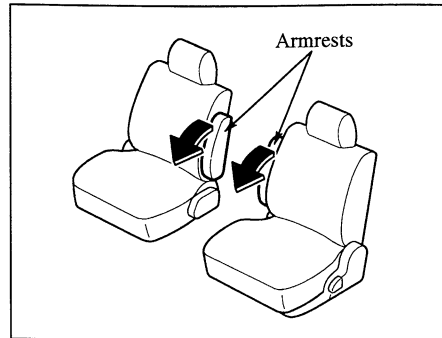


### ■ Seat Tilt (Driver's Seat)\*

The seat-bottom angle can be adjusted by rotating the dial. The front dial tilts the front of the seat bottom upward.



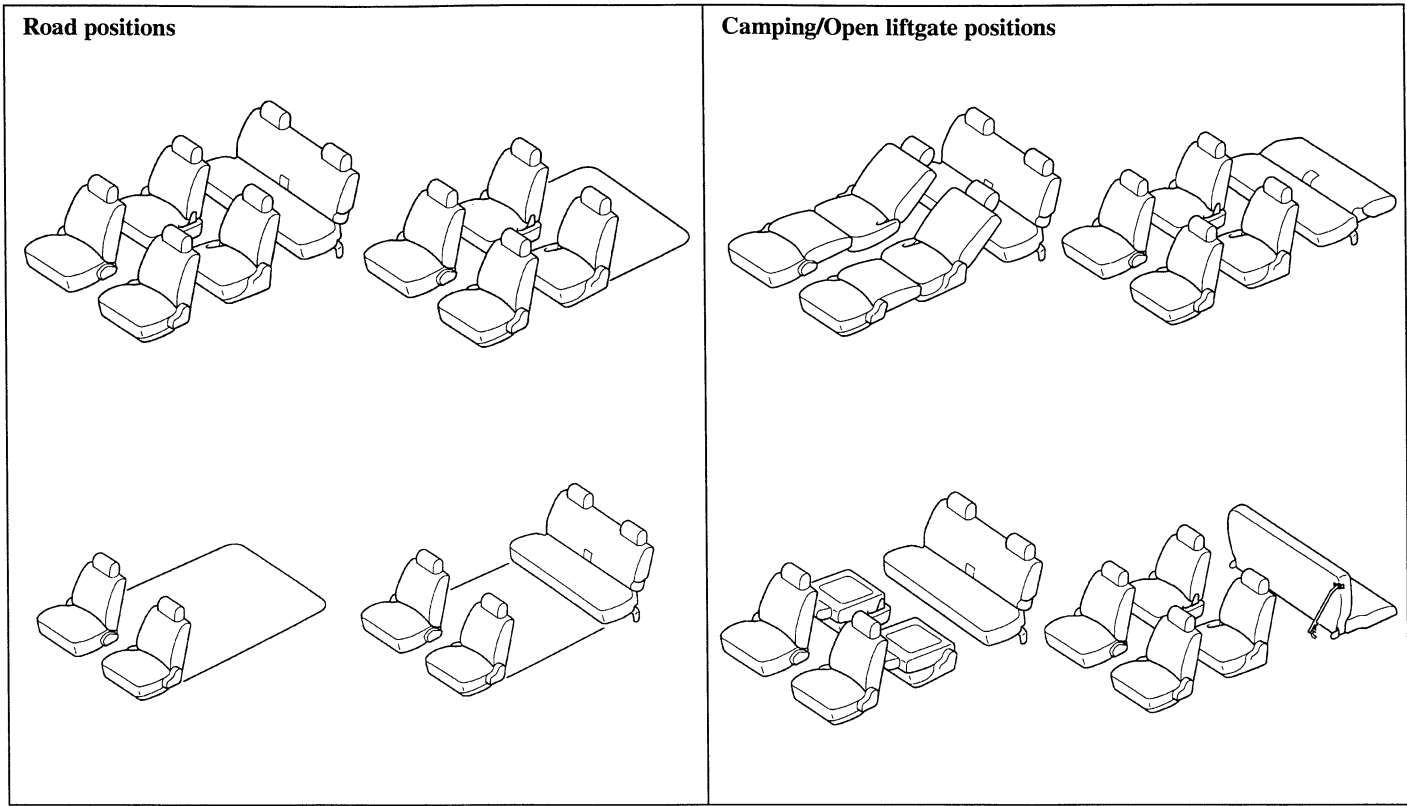
The seat-bottom angle can be adjusted by rotating the dial. The rear dial tilts the rear of the seat bottom upward.



■ **Armrest**

The armrests can be used or placed upright.

Rear Seats





**⚠ WARNING**

**Stacking Cargo:**

*Stacking luggage or other cargo higher than the seatbacks is dangerous. During sudden braking or a collision, objects can become projectiles that may hit and injure passengers. Don't stack things higher than the seatbacks.*

**⚠ WARNING**

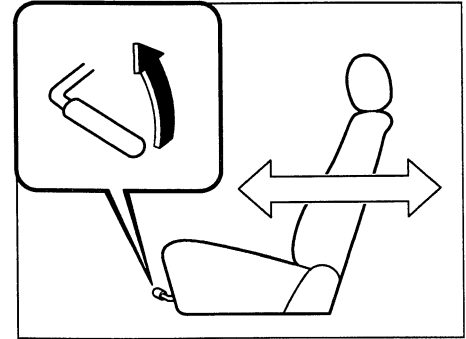
**Seat Adjustment:**

*Adjusting the seat while the vehicle is moving is dangerous. Sudden braking or a collision could cause serious injury. Adjust the seat only when the vehicle is stopped.*

**⚠ WARNING**

**Securing Seat:**

*Adjustable seats and seatbacks that are not securely latched are dangerous. In a sudden stop or collision, the seat or seatback could move, causing injury. Make sure the adjustable components of the seat are locked in place by attempting to slide the seat forward and backward and rocking the seatback.*



■ **Second-Row Seats**

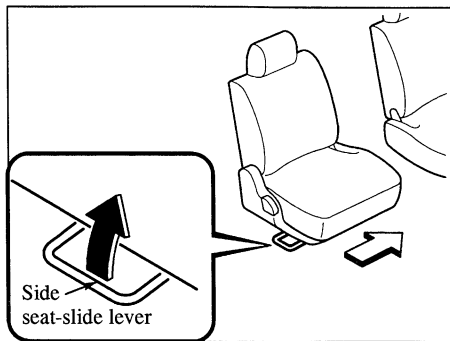
▼ **Sliding upright seat\***

To move a seat forward or backward, raise the lever and slide the seat to the desired position.

**⚠ CAUTION**

After sliding the seat, make sure it is securely locked by moving the seat forward or backward.

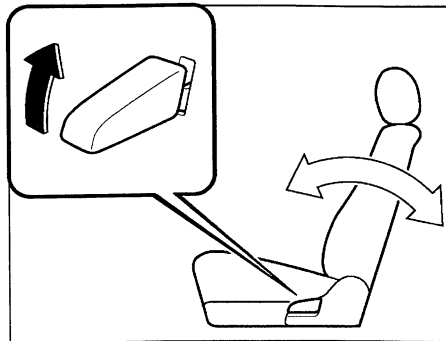
\*Some models.



### ▼ Side-sliding seat (right side)

The second-row seats can be put together and used as a bench seat.

Raise the side seat-slide lever and slide the seat sideways.



### ▼ Seat recline

To change the seatback angle, lean forward slightly while pulling the lever. Then lean back to the desired position and release the lever.

## **WARNING**

***Reclining:***  
*Sitting in a reclined position while the vehicle is moving is dangerous because you don't get the full protection from seat belts. During sudden braking or a collision, you can slide under the lap belt and suffer serious internal injuries. For maximum protection, sit well back and upright.*

## **CAUTION**

After sliding the seat, make sure it is securely locked by moving the seat from side to side.

**⚠ WARNING**

***Unlocked Seatbacks:***  
*Seatbacks play an important role in your protection in a vehicle. Leaving the seatbacks unlocked is dangerous as they can allow passengers to be ejected or thrown around and baggage to strike occupants in a sudden stop or collision, resulting in severe injury. After adjusting the seats at any time, attempt to push the seatbacks forward and backward to make sure they are locked in place.*

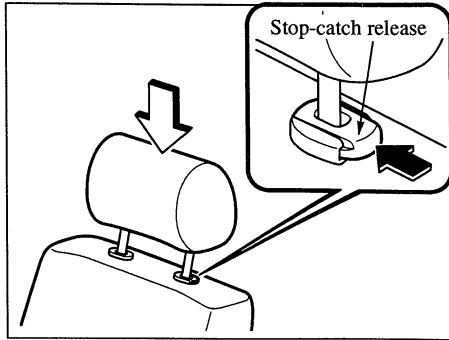
**⚠ CAUTION**

When returning a rear-reclined seatback to its upright position, make sure you support the seatback while operating the seatback lever. If the seatback is not supported, it will flip forward suddenly and could cause injury.

▼ Head restraint

**⚠ WARNING**

***Head Restraints Adjustment:***  
*Driving with the head restraints adjusted too low or removed is dangerous. With no support behind your head, your neck could be seriously injured in a collision. Always drive with the head restraints inserted when seats are being used and make sure they are properly adjusted.*

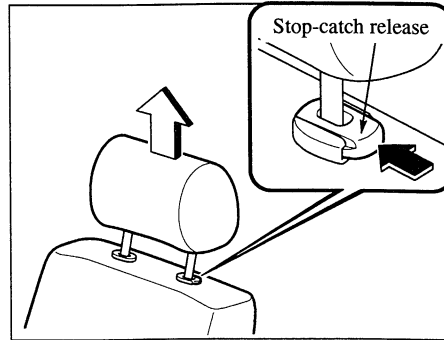


### Height adjustment

To raise the head restraint, pull it up to the desired position.

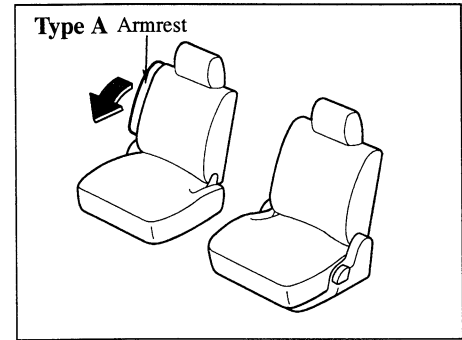
To lower the head restraint, press the stop-catch release, then push the head restraint down.

Adjust the head restraint so that the top parallels the top of the passenger's ears, never the passenger's neck.



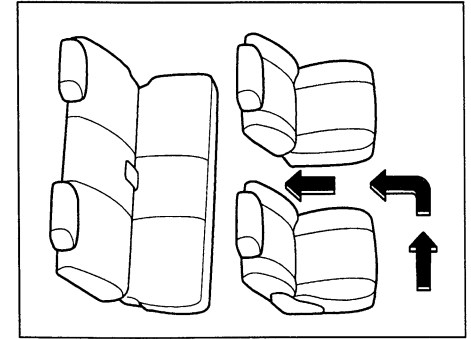
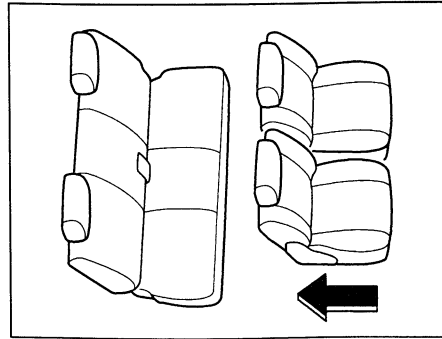
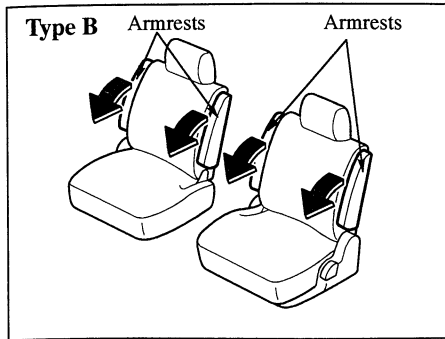
### Removal

To remove the head restraint, press the stop-catch release, then pull up on the head restraint.



### ▼ Armrest

The armrests can be used or placed upright.



▼ **Third-row seat access**

**Passenger side access to the third-row seat via the sliding door**

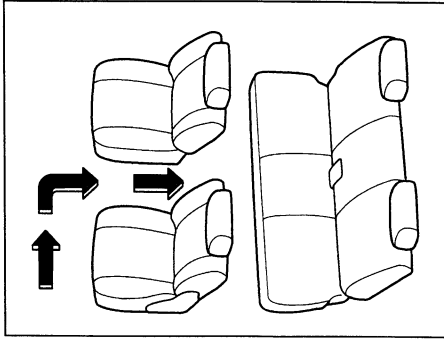
The easiest access to the third-row seat is when the second-row seats are together.

Move along the path between the sliding door and the side sliding seat (right side).

If the second-row seats are separated, pass between them and move to the rear of the vehicle.

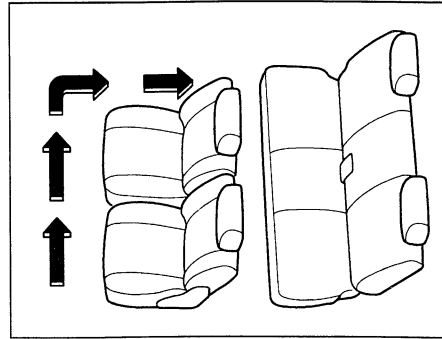
## Essential Safety Equipment

---

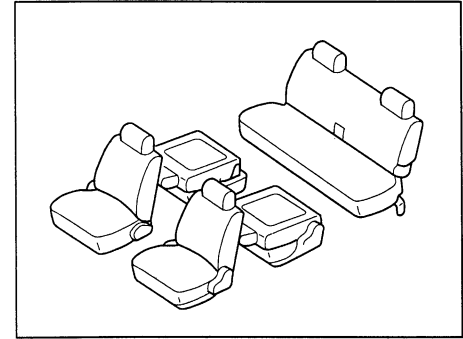


### Driver's side access to the third-row seat

The easiest access to the third-row seat from the driver's side of the vehicle is when the second-row seats are separated.



If the second-row seats are together, you can go around them both, passing between the sliding door and the sliding passenger seat.



### ▼ Folding the second-row seats\*

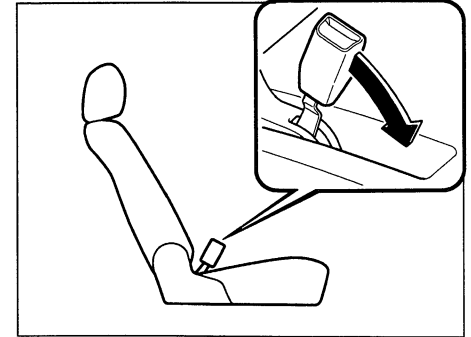
The second-row seatbacks can be folded down and used as tables when the vehicle is not moving.

**⚠ WARNING**

**Using Folded Seatback as a Table**  
**While the Vehicle is Moving:**  
 Using the folded seatback as a table while driving is dangerous. During sudden braking or a collision, objects placed on the folded seatback could become projectiles that could hit and injure someone. Never use the folded seat as a table while the vehicle is moving.

**⚠ WARNING**

**Passenger on the Folded Seatback:**  
 Driving with a passenger on the folded seatback is dangerous. Allowing a child to sit up on the folded seatback while the vehicle is moving is particularly dangerous. In a sudden stop or even a minor collision, a child not in a proper seat or child-restraint system and seat belt could be thrown forward, back or even out of the car resulting in serious injuries or death. The child or other objects in the baggage area could be thrown into other occupants and cause serious injury. Never allow a passenger to sit or stand on the folded seatback while the vehicle is moving.

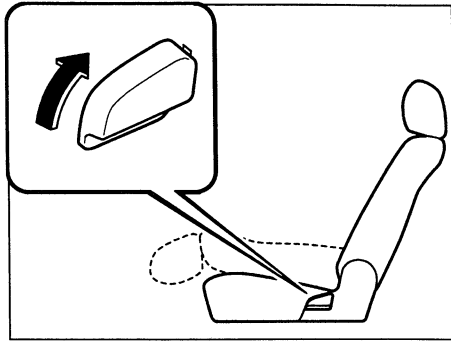


**To fold the rear seatback**

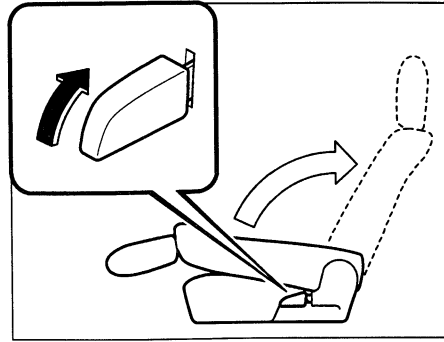
1. Put the buckle in the pocket of the seat bottom.

**⚠ CAUTION**

Lowering the seatback without stowing the seat belt buckle could damage the seatback.



2. Raise the reclining lever and lower the seatback forward.  
Make sure the seatback is locked.



**To return the seatback to the upright position**

Raise the reclining lever and lift the seatback upright. Attempt to move the seatback forward and backward to make sure it is locked.

**⚠ WARNING**

***Unlocked Seatback:***

*A seatback plays an important role in your protection in a vehicle. Leaving the seatback unlocked is dangerous as it can allow passengers to be ejected or thrown around and baggage to strike occupants in a sudden stop or collision, resulting in severe injury. After adjusting the seat at any time, even when there are no other passengers, push the seatback forward and backward to make sure it is locked in place.*



▼ **Removing and installing second-row seats**

The second-row seats can be removed to create a more comfortable space between the third-row and front seats. Additional cargo space is available with the removal of the second-row seats and stowing of the third-row seat.

 **WARNING**

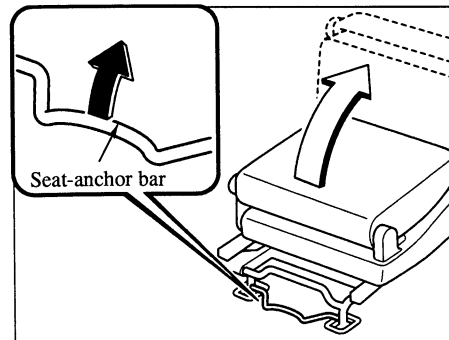
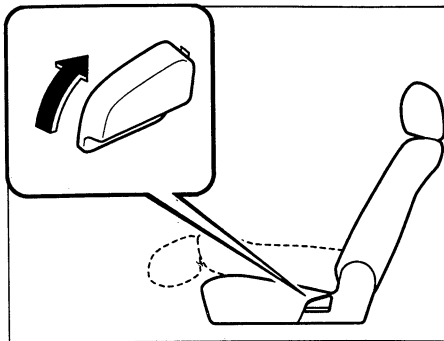
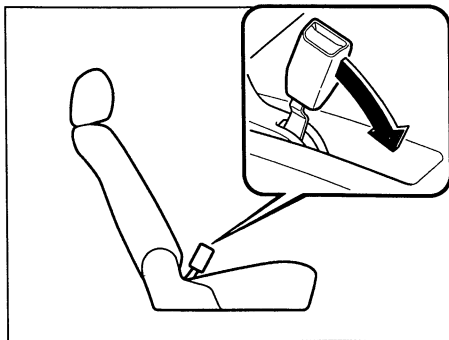
**Seat Removal or Installation While Vehicle is Moving or on a Slope:**  
*Removing or installing the rear seats while the vehicle is moving or on a slope is dangerous. The seats are heavier than they appear and could suddenly detach causing serious injury. Remove or install the seats with the vehicle parked on a level surface.*

 **WARNING**

**Riding on the Floor Space:**  
*Riding on the floor space created by the removal of the second-row seats is dangerous. Sudden braking or a collision could cause serious injury. Do not sit or lie in the floor space for the second-row seats while the vehicle is moving. Never ride in a vehicle where you can't sit in the seat and wear the seat belt.*

 **WARNING**

**Pinching Fingers or Hands:**  
*Placing your hands around the seat anchors when removing or installing the rear seats is dangerous. You could pinch your hands or fingers between the seat anchor and the seat. Hold the edge of the seat when lowering it into place. Never place your hands between the seat anchor and the seat.*



### To remove the seat

1. Put the buckle in the pocket of the seat bottom.

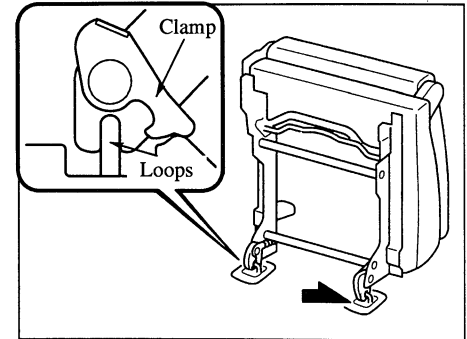
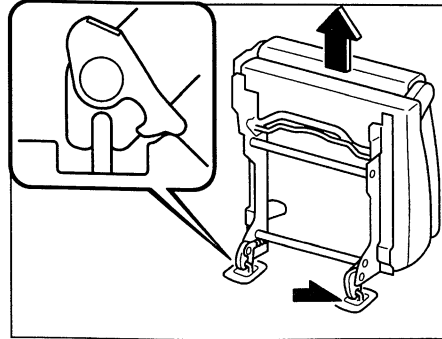
2. Lower the head restraint all the way down.
3. Slide the seat all the way back.
4. Raise the reclining lever and lower the seatback forward.  
Make sure the seatback is locked.
5. Work only on one seat at a time to avoid one seat falling while working on another.
6. Lift and hold the seat-anchor bar and raise the entire seat up and forward.

### CAUTION

Lowering the seatback without stowing the seat belt buckle could damage the seatback.

**⚠ WARNING**

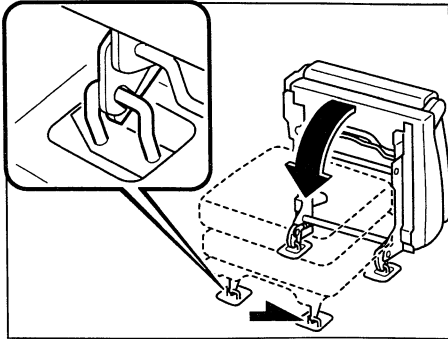
***Lifting the Seat Anchor Bar:***  
*Lifting the seat-anchor bar without firmly supporting the seat with your hand is dangerous.*  
*Lifting the seat unlocks the front clamps automatically and could cause the seat to fall. Support the seat firmly while lifting the seat-anchor bar.*



7. The seat is heavier than it looks, carefully pull up and detach the seat. Get assistance to lift it out of the vehicle.

**To install the seat**

1. First identify which seat fits which position by verifying that the seat belt buckles point to the center (inboard) of the vehicle.
2. Align the clamps on the front underside of the seat with the forward loop anchors on the floor and support the seat so that it doesn't fall (the rear portion of the seat cannot be mounted first). The clamps on the front of the seat automatically lock into the floor loop anchors after lowering the seat.



3. Supporting the seat with your hands, slowly lower the seat rearwards to lock it in place.
4. Raise the reclining lever and lift the seatback upright. Attempt to move the seatback forward and backward to make sure it is locked.
5. Buckle the seat belts once just to confirm the seat belt buckles are inboard which means each seat is on the correct side of the vehicle.

### **⚠ WARNING**

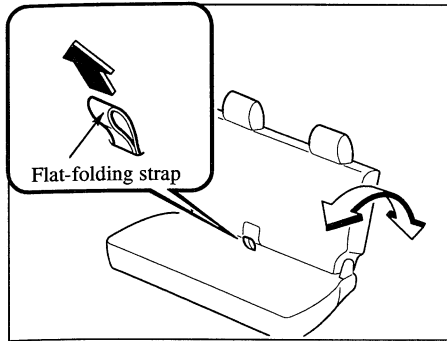
***Unsecured Seat:***  
*Driving with the seat unsecured is dangerous. The seat may become detached while the vehicle is moving causing serious injury. After installing the seat, push it forward and backward to make sure it is securely locked.*

### **⚠ WARNING**

***Unlocked Seatbacks:***  
*Seatbacks play an important role in your protection in a vehicle. Leaving the seatbacks unlocked is dangerous as they can allow passengers to be ejected or thrown around and baggage to strike occupants in a sudden stop or collision, resulting in severe injury. After adjusting the seats at any time, even when there are no other passengers, push the seatbacks forward and backward to make sure they are locked in place.*

### **⚠ CAUTION**

Do not move the side seat-slide lever with the seat removed. The lever could be damaged resulting in loss of functionality.



### ■ Third-Row Seat

The third-row seat can be reclined halfway or completely flat for use as a narrow bed or rest when the vehicle is safely parked.

#### ▼ Seat recline

To change each individual seatback angle, lean forward slightly while pulling the third-row seat's flat-folding strap. Then lean back to the halfway position and release it.

### ⚠ WARNING

**Reclining:**  
*Sitting in a reclined position while the vehicle is moving is dangerous because you don't get the full protection from seat belts. During sudden braking or a collision, you can slide under the lap belt and suffer serious internal injuries. For maximum protection, sit well back and upright.*

### ⚠ WARNING

**Unlocked Seatback:**  
*A seatback plays an important role in your protection in a vehicle. Leaving the seatback unlocked is dangerous as it can allow passengers to be ejected or thrown around and baggage to strike occupants in a sudden stop or collision, resulting in severe injury. After adjusting the seat at any time, even when there are no other passengers, push the seatback forward and backward to make sure it is locked in place.*

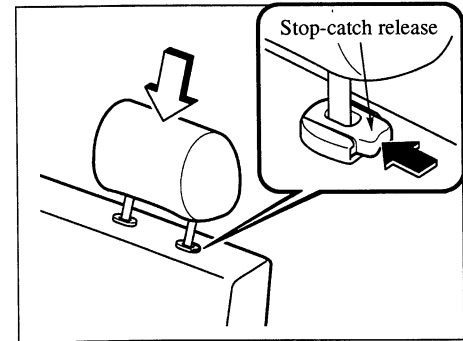
### CAUTION

When returning a rear-reclined seatback to its upright position, make sure you support the seatback while operating the seatback lever. If the seatback is not supported, it will flip forward suddenly and could cause injury.

### ▼ Head restraint

### WARNING

***Head Restraints Adjustment:***  
***Driving with the head restraints adjusted too low or removed is dangerous. With no support behind your head, your neck could be seriously injured in a collision.***  
***Always drive with the head restraints inserted when seats are being used and make sure they are properly adjusted.***

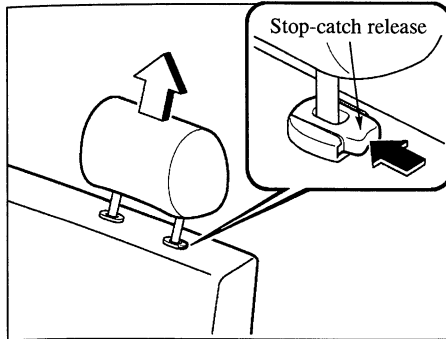


### Height adjustment

To raise the head restraint, pull it up to the desired position.

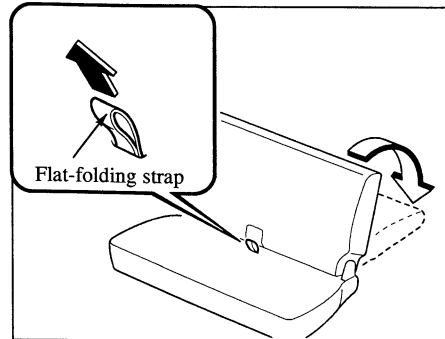
To lower the head restraint, press the stop-catch release, then push the head restraint down.

Adjust the head restraint so that the top parallels the top of the passenger's ears, never the passenger's neck.



### Removal

To remove the head restraint, press the stop-catch release, then pull up on the head restraint.



### ▼ Folding the third-row seat flat

1. Remove the head restraints from the third-row seat (page 2-21).
2. Pull the third-row seat's flat-folding strap and push the seatback down until it locks.

## **⚠ WARNING**

### ***Riding on Folded Flat Third-Row Seat:***

***Riding on the third-row seat when it's folded is dangerous. During sudden braking or a collision, passenger's could be thrown around inside the vehicle and seriously injured. Always ride with the third-row seat in the upright position and seat belt securely fastened.***

## **⚠ WARNING**

### ***Stacking Luggage and Other Cargo:***

***Stacking luggage and other cargo higher than the seatbacks is dangerous. During sudden braking or a collision, it can become a projectile that may hit and injure passengers. Don't stack things higher than the seatbacks.***

### ▼ Stowing the third-row seat

More storage space can be created by folding away the third-row seat into the rear seat well. With both the second and third-row seats removed, even more space is available.

#### **WARNING**

##### **Riding in the Seat Well:**

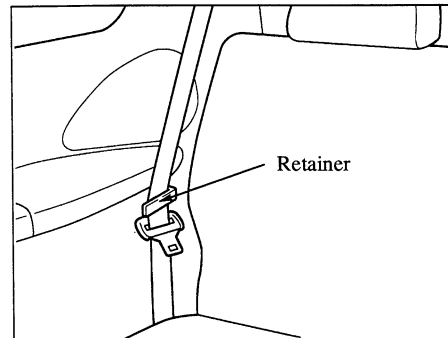
***Riding in the seat well for the third-row seat is dangerous. Sudden braking or a collision could cause serious injury. Do not sit or lie in the seat well while the vehicle is moving. Never ride in a vehicle where you can't sit in the seat and wear the seat belt.***

#### **WARNING**

***Pinching Fingers or Hands:***  
***Placing your hands around the seat stowage well when stowing the third-row seat is dangerous. You could pinch your hands or fingers between the seat and the well. Hold the handle when lowering the seat into place. Never place your hands between the seat and the seat well.***

#### **NOTE**

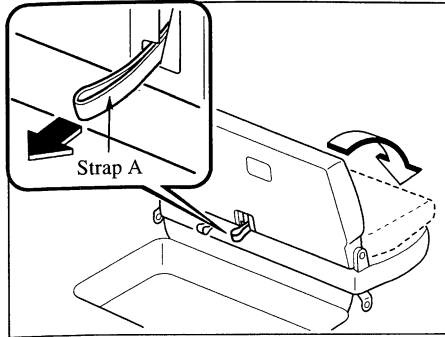
Remove any items from the seat well for the third-row seat before stowing the seat. Anything in the baggage area when the seat is set into the well can damage the seatback material and prevent a flat cargo area.



### Stowing the third-row seat

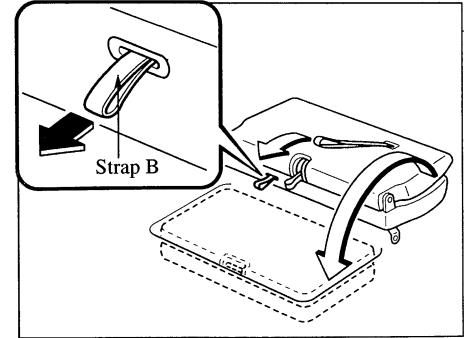
1. Insert the belts in the retainers.





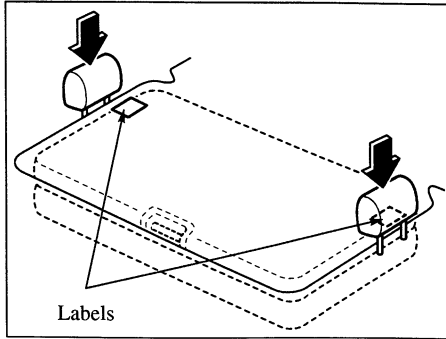
**⚠ WARNING**

***Unlocked Seatback:***  
***An unlocked seatback is dangerous. While stowing the seat, the seatback could suddenly move causing serious injury. Push the seatback forward and backward to make sure it is locked in place.***

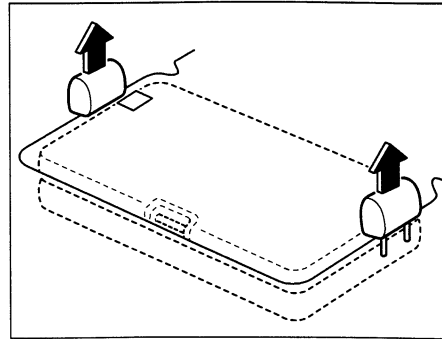


2. Remove the head restraint and set them aside temporarily (page 2-21).
3. Pull strap A and ease the seatback forward into the vehicle with your other hand and be sure it locks with a click.

4. Pull strap B and lift the combined seatback and seat bottom up to vertical with your other hand. Gently set the seat the remainder of the way down into the seat well.

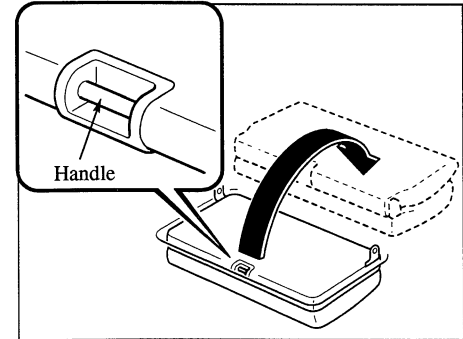


5. Insert the head restraints between the floor and seat at the positions indicated on the labels.



### Raising the third-row seat upright for road use

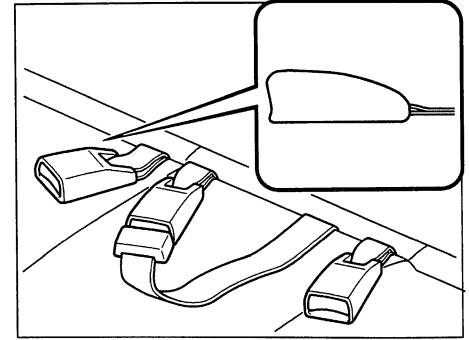
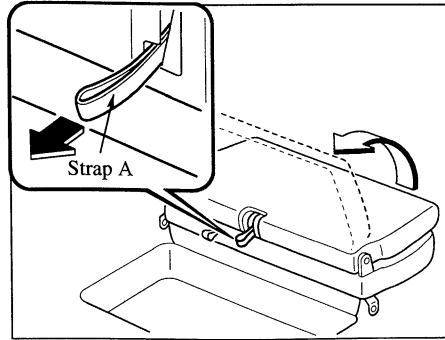
1. Clear the entire cargo floor.
2. Remove the head restraints.



3. Carefully reverse the procedures used to lower the seat into the seat well. Use the handle and ease the combined seatback and seat bottom up to vertical.
4. Carefully lower the seat forward and make sure it's latched to the floor.

**⚠ WARNING**

***Unlocked Seat:***  
***An unlocked seat is dangerous. While moving the seat, it could suddenly move causing serious injury. Make sure that the seat is securely locked. Push the seat forward and backward to make sure it's locked in place.***



5. Pull strap A and raise the seatback upright. Attempt to move the seatback forward and backward to make sure it is locked.

6. Insert the head restraints.

7. Place the seat belt buckles face up.

 **WARNING**

**Unlocked Seatback:**

*A seatback plays an important role in your protection in a vehicle. Leaving the seatback unlocked is dangerous as it can allow passengers to be ejected or thrown around and baggage to strike occupants in a sudden stop or collision, resulting in severe injury. After adjusting the seat at any time, even when there are no other passengers, push the seatback forward and backward to make sure it is locked in place.*

■ **Third-Row Seat and Open Liftgate Position\***

 **WARNING**

**Support Bar:**

*Sitting in the rear-facing, third-row seat position without installing the support bar is dangerous. Without the support of the bar, the seatback could collapse resulting in injury. Always install the support bar before sitting in the rear-facing, third-row seat position.*

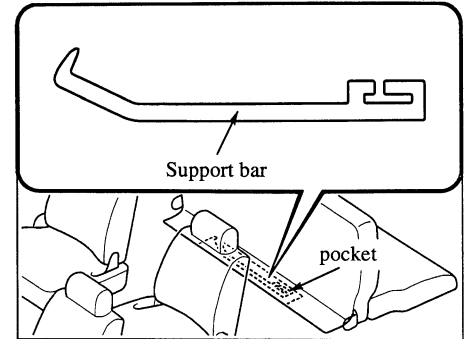
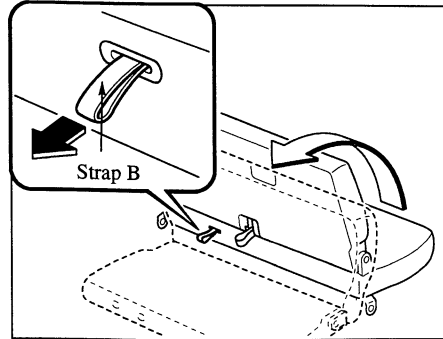
 **WARNING**

**Rear Facing Third-Row Seat and a Moving Vehicle:**

*Driving with the third-row seat facing rearward is dangerous because the liftgate cannot be securely closed. During sudden braking or a collision, passengers could be thrown out of the vehicle resulting in serious injury or death. Place the third-row seat in the forward-facing position with the seatback upright before driving the vehicle.*

**⚠ WARNING**

***Third-Row Seat and the Flat-Folding Strap:***  
*Pulling the flat-folding strap with the third-row seat facing rearward is dangerous. The seatback will collapse into the seat bottom and could result in injury. Do not pull the flat-folding strap with the third-row seat facing rearward.*



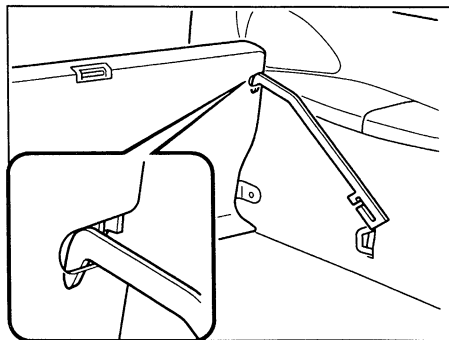
**NOTE**

- Adjust the seatback to the upright position when the third-row seat is facing rearward.
- Remove cargo from the seat well area before placing the third-row seat in the rear-facing position.

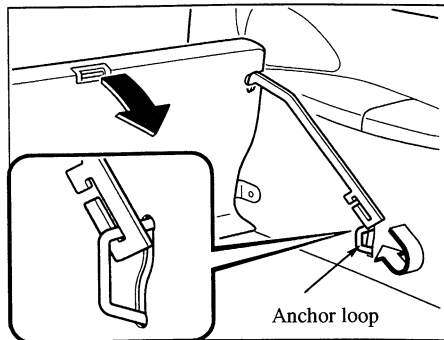
**▼ To put the third-row seat in the rear facing position:**

1. Open the liftgate.
2. Clear away all cargo from the seat well.
3. Remove the head restraints.
4. Pull strap B while supporting the seatback with the other hand and carefully ease the seatback rearward and into the seat well.

4. Go inside the vehicle and to the rear.
5. Remove the support bar from the pocket as illustrated above.



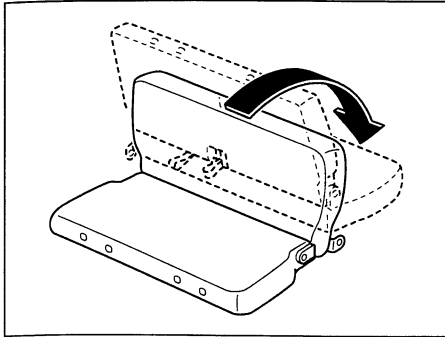
6. Set the hook on the support bar in the rear of the seatback as illustrated above.



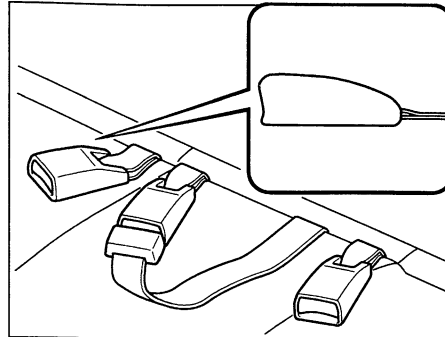
7. Pull the seatback towards the front of the vehicle until the opposite end of the support bar hooks onto the anchor loop. Attempt to push the seatback towards the rear (liftgate) to make sure the support bar is securely latched.

▼ **To return the third-row seat to the road position (forward facing)**

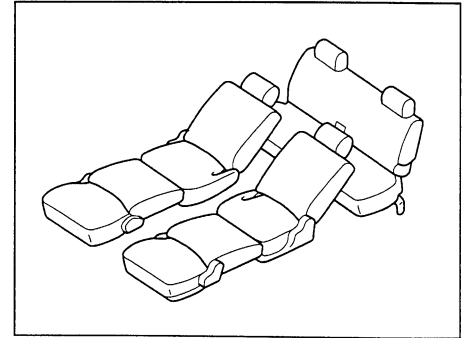
1. Detach the support bar by following the reverse procedure for installation (page 2-27).



2. From inside the vehicle, carefully lower the seat towards the front until it locks in place. Attempt to move the seat forward and backward to make sure it's securely locked in place.
3. Reinsert the head restraints.



4. Place the seat belt buckles face up.



■ **Folding The Second-Row and Front Seats Flat\***

The second-row and front seats can be folded down for use as beds when the vehicle is safely parked.

 **WARNING**

***Unsecured Seat:***  
*Driving with the seat unsecured is dangerous. The seat may become detached while the vehicle is moving resulting in serious injury. After installing the seat, attempt to push it forward and backward to make sure it's securely locked in place.*

** WARNING**

**Full-Flat Seats:**

*Sitting or lying on seats folded flat is a dangerous way to ride. During sudden braking or a collision you could be thrown around inside the vehicle and seriously injured. Don't ride on the seatbacks folded flat.*

** CAUTION**

When returning a rear-reclined seatback to its upright position, make sure you support the seatback while operating the seatback lever. If the seatback is not supported, it will flip forward suddenly and could cause injury.

**To fold the seats flat**

1. Pull the seat slide levers and slide the second-row seats all the way back (page 2-7).
2. Raise the recline levers and fold down the second-row seatbacks rearward until they lock.

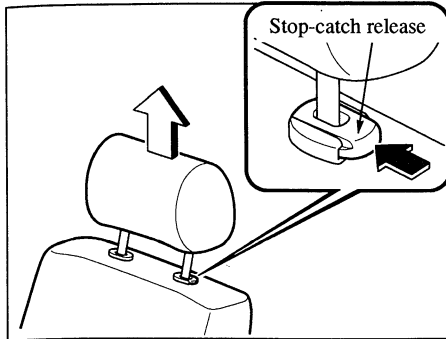
** WARNING**

**Stacking Luggage and Other Cargo:**

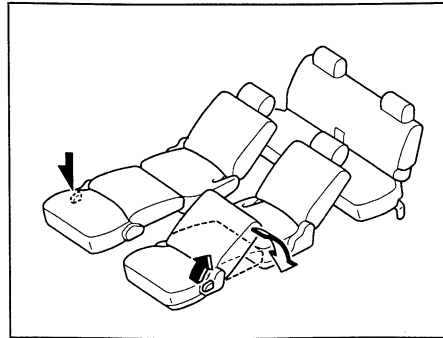
*Stacking luggage and other cargo higher than the seatbacks is dangerous. During sudden braking or a collision, objects can become projectiles that may hit and injure passengers. Don't stack things higher than the seatbacks.*



## Seat Belt System



3. Remove the head restraints from the front seats.
4. Pull the seat slide levers and slide the front seats all the way forward (page 2-2).



5. Raise the recline levers and fold down the front seatbacks rearward until they lock (page 2-3).
6. To return the seats to their road positions, reverse the procedures for folding the second-row and front seats flat.

Seat belts help to decrease the possibility of severe injury during accidents and sudden stops. Mazda recommends that the driver and all passengers always wear seat belts.

All of the door-side seat belt retractors are designed to keep the lap/shoulder belts out of the way when not in use.

The driver's seat belt has no provisions for child-restraint systems and has only an emergency locking mode. The driver may wear it comfortably, and it will lock during a collision.

However, the front passenger's seat and rear door-side lap/shoulder belt retractors operate in two modes, emergency locking mode and for child-restraint systems, automatic locking mode.

The rear center seat positions have a lap belt with manual adjustment.

### Emergency locking mode

If the belt has fully retracted, it will always be in the emergency locking mode until you move it into automatic locking mode by pulling the belt all the way out to its full length. In the emergency locking mode, the belt remains comfortable on the occupant and the retractor will lock in position during a collision.

If the belt feels tight and hinders comfortable movement while the vehicle is stopped or in motion, you may be in the automatic locking mode because you have pulled the belt too far out. To return to the more comfortable emergency locking mode, wait until you can stop the vehicle in a safe area, retract the belt fully to convert it back to emergency locking mode and then again extend it around you.

### Automatic locking mode

Always use the automatic locking mode to keep the child-restraint system from shifting to an unsafe position in the event of an accident. To get the seat belt into the automatic locking mode, pull it all the way out and connect it as instructed on the child-restraint system. It will retract down to the child-restraint system and stay locked on it. See the section on child restraint (page 2-41).

## **WARNING**

### **Not Wearing Seat Belts:**

***Not wearing a seat belt is extremely dangerous. During a collision, occupants not wearing seat belts could hit someone or things inside the vehicle or even be thrown out of the vehicle. They could be seriously injured or even killed. In the same collision, occupants wearing seat belts would be much safer. Always wear your seat belt and make sure all occupants are properly restrained.***

**⚠ WARNING**

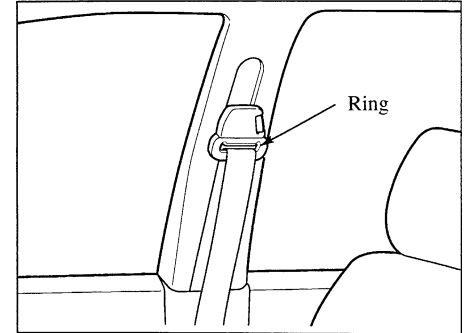
**Seat Belt Damaged During an Accident:**

*Using a damaged seat belt is dangerous. An accident could damage the belt webbing in use. A damaged seat belt cannot provide adequate protection in a collision. Have an Authorized Mazda Dealer inspect all seat belt systems in use during an accident before they are used again.*

**⚠ WARNING**

**Twisted Seat Belts:**

*Twisted seat belts are dangerous. In a collision, the full width of the belt isn't available to absorb the impact. This puts more force on the bones beneath the belt, which could break them or cause other serious injury or death. Don't wear twisted seat belts.*



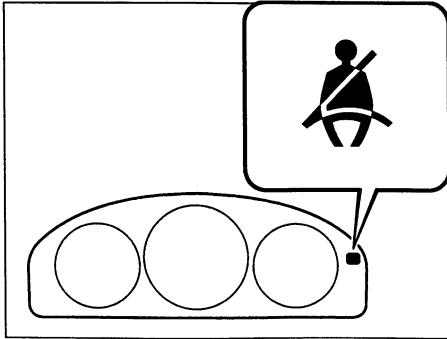
**⚠ WARNING**

**One Belt, One Passenger:**

*Using one seat belt for more than one person at a time is dangerous. A seat belt used in this way can't spread the impact forces properly and the two passengers could be crushed together and seriously injured or even killed. Never use one belt for more than one person at a time.*

**⚠ CAUTION**

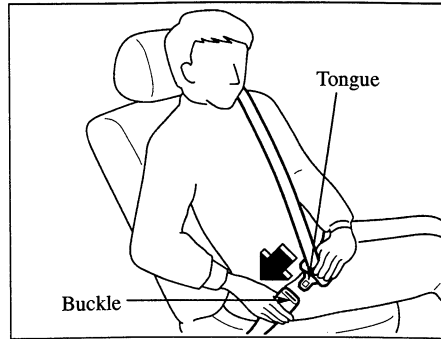
Belt retraction may become difficult if the belts and rings are soiled, so try to keep them clean.



### ■ Seat Belt Warning Light/Beep

If the driver's seat belt is not fastened when the ignition switch is turned to the ON position, a beep will sound for about 6 seconds and the seat belt warning light will remain on until the belt is fastened.

If the system does not operate correctly, consult an Authorized Mazda Dealer.



### ■ Front Seat Belts

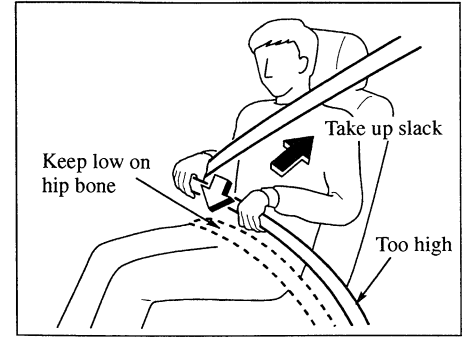
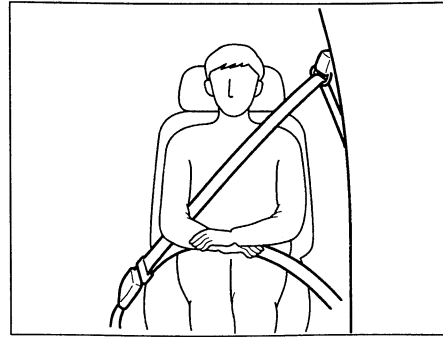
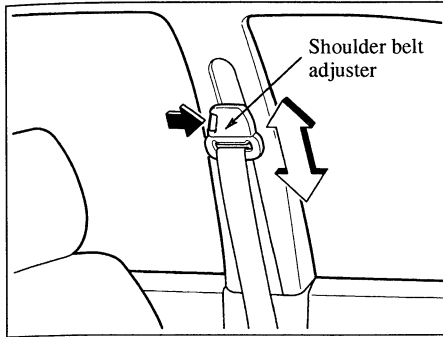
To fasten:

1. Grasp the buckle and tongue.
2. Slowly pull out the lap/shoulder belt.
3. Insert the tongue into the buckle until you hear a click.
4. Make sure the shoulder belt is snugly fitted against your body.

## **WARNING**

### ***Positioning the Shoulder Portion of the Seat Belt:***

***Improper positioning of the shoulder portion of the seat belt is dangerous. An improperly positioned belt will provide little or no protection in a collision. Always make sure the shoulder portion of the seat belt is positioned across your shoulder and near your neck, but never under your arm, on your neck, or on your upper arm.***

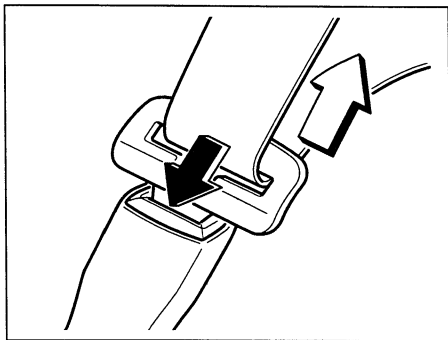


This adjusts the shoulder belt angle for a more comfortable fit. Simply push the button, move it to the desired position, and then release it. Make sure the adjuster is locked.

**⚠ WARNING**

**Positioning the Lap Portion of the Seat Belt:**

*The lap portion of the seat belt worn too high is dangerous. In a collision, this would concentrate the impact force directly on the abdominal area, causing serious injury. Wear the lap portion of the belt snugly and as low as possible.*

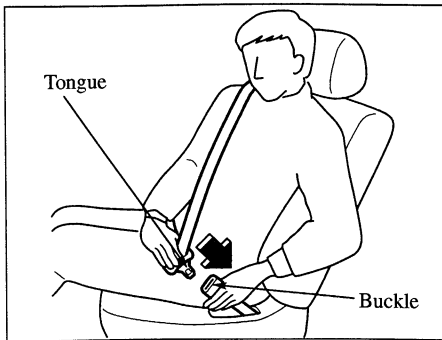


To unfasten:

Depress the button on the buckle.

### NOTE

If a belt does not fully retract, inspect it for kinks and twists.



### ■ Seat Belt for Second and Third Rows

#### ▼ Lap/shoulder belt

To fasten:

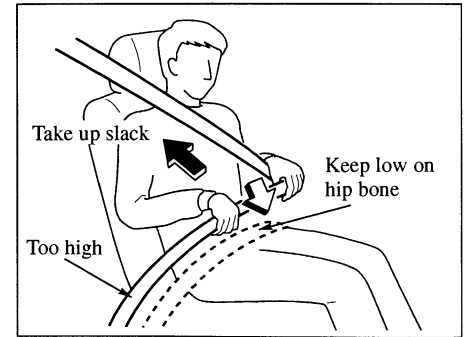
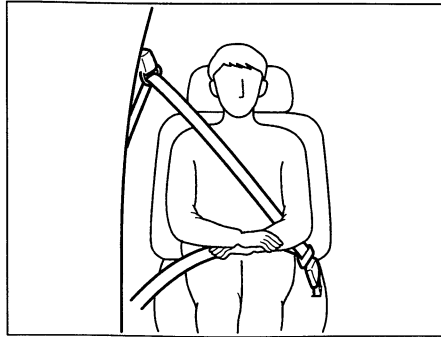
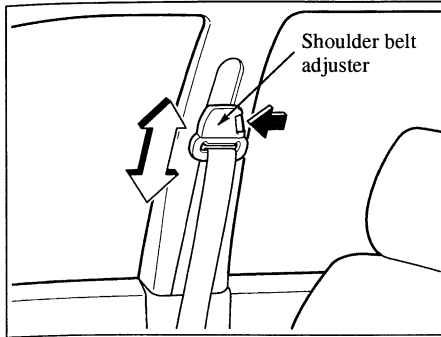
1. Grasp the tongue and pull it to the desired length.
2. Insert this tongue into the buckle until you hear a click.
3. Make sure the shoulder belt is snugly fitted against your body.

The retractor will take up excess belt and maintain tension.

### **WARNING**

#### ***Positioning the Shoulder Portion of the Seat Belt:***

***Improper positioning of the shoulder portion of the seat belt is dangerous. An improperly positioned belt will provide little or no protection in a collision. Always make sure the shoulder portion of the seat belt is positioned across your shoulder and near your neck, but never under your arm, on your neck, or on your upper arm.***



**(Second-row seat)**

This adjusts the shoulder belt angle for a more comfortable fit. Simply push the button, move it to the desired position, and then release it. Make sure the adjuster is locked.

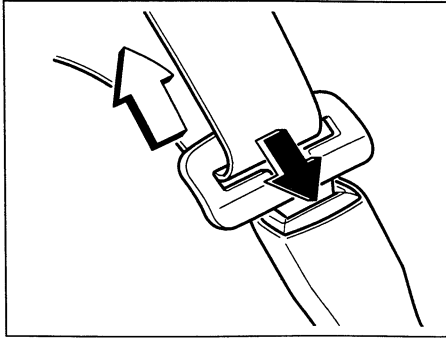
**⚠ WARNING**

**Positioning the Lap Portion of the Seat Belt:**

*The lap portion of the seat belt worn too high is dangerous. In a collision, this would concentrate the impact force directly on the abdominal area, causing serious injury. Wear the lap portion of the belt snugly and as low as possible.*

## Essential Safety Equipment

---

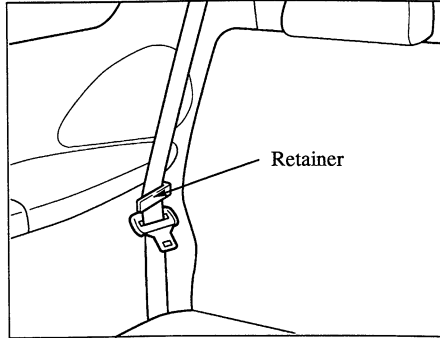


To unfasten:

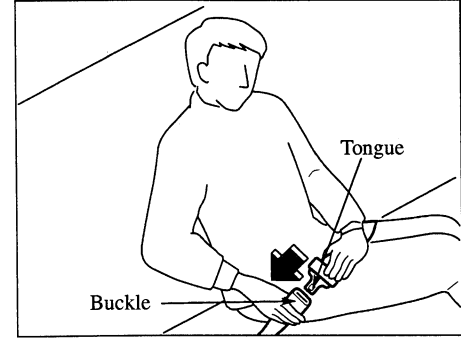
Depress the button on the buckle.

### NOTE

If a belt does not fully retract, inspect it for kinks and twists.



To secure the passenger third-row lap/shoulder belts when not in use, insert the belts in the retainers.

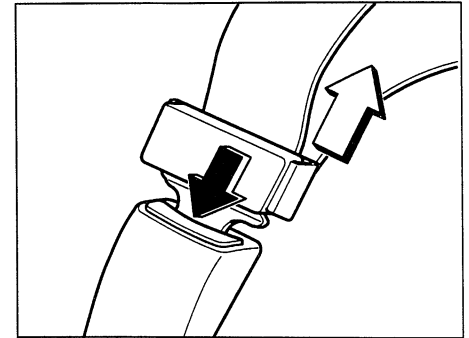
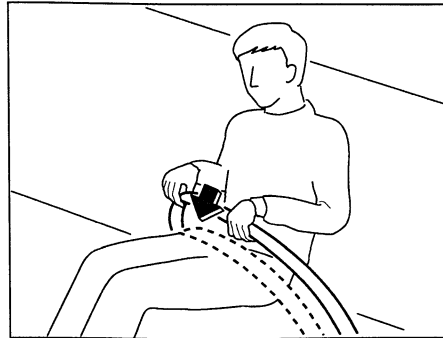
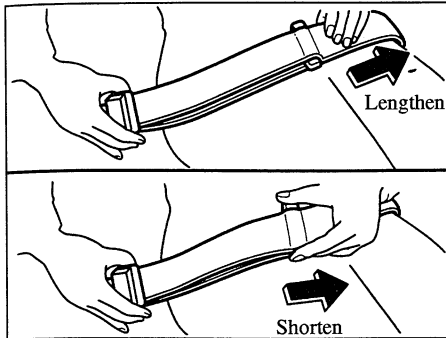


### ▼ Lap belt (Third-row seat)

To fasten:

1. Pull the tongue to the desired length.
2. Insert it into the buckle until you hear a click.





3. Adjust the belt length. To lengthen the belt, hold the tongue at a right angle to the webbing and pull. To shorten, pull the loose end of the webbing.

**⚠ WARNING**

***Wearing the Lap Belt:***

***A lap belt worn too high is dangerous. In a collision, this would concentrate the impact force directly on the abdominal area, causing serious injury. Wear the lap belt snugly and as low as possible.***

To unfasten:

Depress the button on the buckle.

### ■ Seat Belt Extender

If your seat belt is not long enough, even when fully extended, a seat belt extender may be available to you at no charge from your Authorized Mazda Dealer. This extender will be only for you and for the particular vehicle and seat. Even if it plugs into other seat belts, it may not hold in the critical moment of a crash. When ordering an extender, only order one that provides the necessary additional length to fasten the seat belt properly. Please contact your Authorized Mazda Dealer for more information.

#### **WARNING**

***Unnecessary Use of an Extender:***  
*Using a seat belt extender when not necessary is dangerous. The seat belt will be too long and not fit properly. In an accident, the seat belt will not provide adequate protection and you could be seriously injured. Only use the extender when it is required to fasten the seat belt properly.*

#### **WARNING**

***Using an Improper Extender:***  
*Using a seat belt extender that is for another person or a different vehicle or seat is dangerous. The seat belt will not provide adequate protection and the user could be seriously injured in an accident. Only use the extender provided for you and for the particular vehicle and seat. NEVER use the extender in a different vehicle or seat.*

 **WARNING**

***Using an Extender That is Too Long:***  
*Using an extender that is too long is dangerous. The seat belt will not fit properly. In an accident, the seat belt will not provide adequate protection and you could be seriously injured. Don't use the extender or choose one shorter in length if the distance between the extender's buckle and the center of the user's body is less than 15 cm (6 in).*

■ **Pregnant Women and Persons with Serious Medical Conditions**

Pregnant women should wear seat belts. Ask your doctor for specific recommendations. The lap belt should be worn **SNUGLY AND AS LOW AS POSSIBLE OVER THE HIPS.** Persons with serious medical conditions also should wear seat belts. Check with your doctor for any special instructions regarding specific medical conditions.

## Child Restraint

■ **Child Restraint Precautions**

Statistics confirm that the rear seat is the best place for all children up to 12 years of age—the more so with a supplemental restraint system (air bags).

**⚠ WARNING**

**Holding a Child While the Vehicle is Moving:**

***Holding a child in your arms while the vehicle is moving is extremely dangerous. No matter how strong the person may be, he or she cannot hold onto a child in a sudden stop or collision and it could result in serious injury or death to the child or other occupants. Always secure a child in a proper child-restraint system.***

**⚠ WARNING**

**One Belt, One Passenger:**

***Using one seat belt for more than one person at a time is dangerous. A seat belt used in this way can't spread the impact forces properly and the two passengers could be crushed together and seriously injured or even killed. Never use one belt for more than one person at a time.***

**⚠ WARNING**

**Proper Size of Child-Restraint System:**

***For effective protection in vehicle accidents and sudden stops, a child must be properly restrained using a seat belt or child-restraint system depending on age and size. If not, the child could be seriously injured or even killed in an accident.***

 **CAUTION**

A seat belt or child-restraint system can become very hot in a closed vehicle during warm weather. To avoid burning yourself or a child, inspect either before using.

▼ **Small children**

You are required by law to use a child-restraint system for children in the U.S. and Canada. Small children, generally those who are four years old or younger and who weigh under 18 kg (40 lb), riding in your vehicle must be protected by child-restraint systems made especially for children. Check your local and state or provincial laws for specific requirements regarding the safety of children riding in your vehicle.

▼ **Older children**

A child who has outgrown child-restraint systems should sit in the rear and use seat belts, both lap and shoulder. If the shoulder belt crosses the neck or face, move the child closer to the center.

■ **Child-Restraint Systems**

Whatever child-restraint system you consider, please pick the appropriate one for the age and size of the child, obey state law and follow the instructions that come with the individual child-restraint system.

A rear-facing child-restraint system should never be used in the front seat because it would be too close to the air bag. The front passenger's seat is also the least preferred seat for other child-restraint systems.

 **WARNING**

***Follow the Manufacturer's Instructions and Always Keep the Child-Restraint System Buckled Down:***

***An unsecured child-restraint system is dangerous. In a sudden stop or a collision it could move causing serious injury or death to the child or other occupants.***

***Make sure the child-restraint system is properly secured in place according to the manufacturer's instructions. When not in use, remove it from the vehicle or fasten it with a seat belt.***

 **WARNING**

***Rear-Facing Child-Restraint System:***

***Rear-facing child-restraint systems on the front seat are particularly dangerous. The child-restraint system can be hit by a deploying air bag and moved violently backward resulting in serious injury or death to the child. Never use a rear-facing child-restraint system in the front seat with an air bag that could deploy.***

■ **Installing Child-Restraint Systems**

Accident statistics reveal that a child is safer in the rear seat. The front passenger's seat is clearly the worst choice for any child under 12, and with rear-facing child-restraint systems it is clearly unsafe due to air bags.

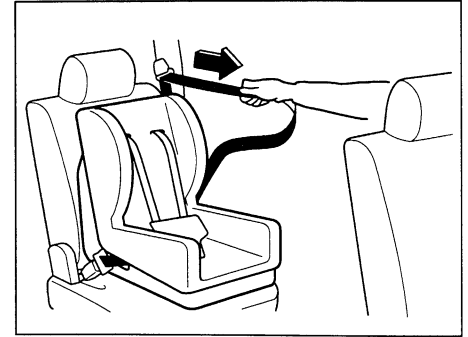
Some child-restraint systems now come with tethers and therefore must be installed on the seats that take tethers to be effective. In your Mazda, tethered child-restraint systems can only be accommodated in the second-row seats and the center position on the third-row seat.

**⚠ WARNING****Tethered Child-Restraint Systems****Work Only on Rear Seat:**

*Installation of a tether equipped child-restraint system in the front passenger's seat or the third-row outboard seats defeats the safety design of the system and will result in an increased chance of serious injury if the seat goes forward without benefit of being tethered. Place tether equipped child-restraint systems where there are tether anchors.*

**⚠ WARNING****Seating Position with Side Air Bag:**

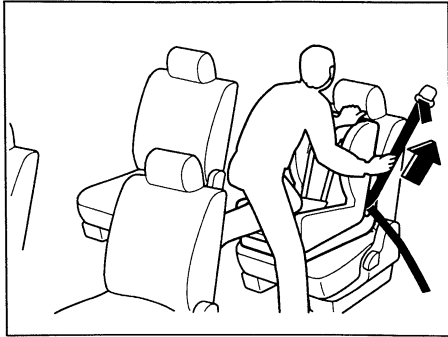
*Allowing a child to lean over or against the front door is dangerous. If the vehicle is equipped with side air bags, the impact of an inflating side air bag could cause serious injury or death to the child. Children are more likely to sleep in the vehicle, when they do, they are more at risk in the front passenger's seat that has a side air bag because they may slump over into the path of the seatback-mounted air bag. If a child can't be seated in the rear, do not allow the child to lean over or against the front door, even if the child is seated in a child-restraint system.*



▼ **Second-row seat child-restraint system installation (Lap/shoulder belt)**

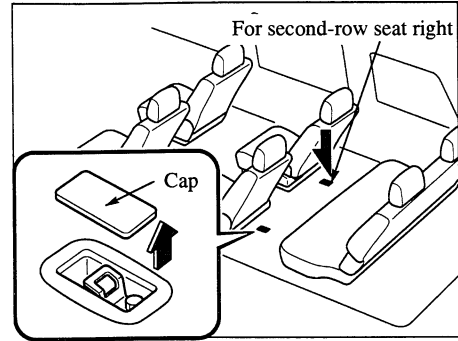
Follow these instructions when using a child-restraint system.

1. Secure the child-restraint system with the lap portion of the lap/shoulder belt. See the instructions on the child-restraint system for belt routing instructions.



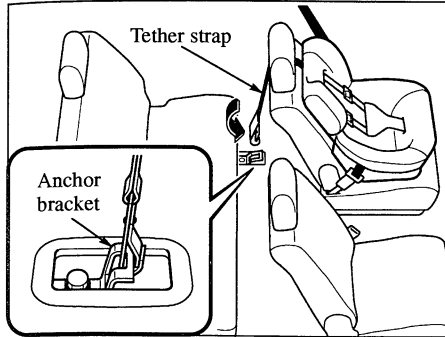
2. To get the retractor into the automatic locking mode, pull the shoulder belt portion of the seat belt until the entire length of the belt is out of the retractor. Position the belt correctly, push the child-restraint system firmly into the vehicle seat and be sure the belt retracts as snugly as possible. Clicking from the retractor will be heard during retraction if the system is in the automatic locking mode. If the belt does not lock the seat down tight, repeat this step.

3. Inspect this function before each use of the child-restraint system. You should not be able to pull the shoulder belt out of the retractor while the system is in the automatic locking mode. When you remove the child-restraint system, be sure the belt fully retracts to return the system to emergency locking mode before occupants use the seat belts.



4. If your child-restraint system requires the use of a tether strap, hook the tether strap by following the manufacturer's instructions. Position the tether strap between the head restraint and the rear seatback.



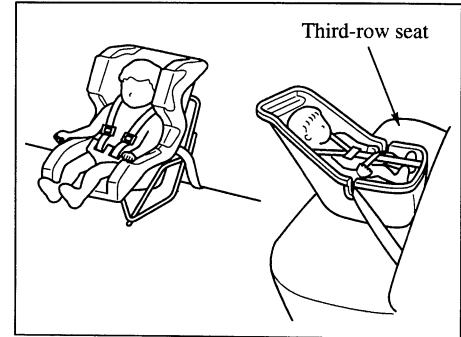


**⚠ WARNING**

***Child-Restraint Tether Usage:***  
*Using the tether to secure anything but a child-restraint system is dangerous. This could weaken or damage the tether or tether anchor and result in injury. Use the tether and tether anchor only for a child-restraint system.*

**⚠ WARNING**

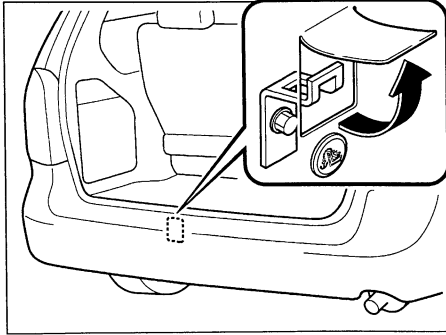
***Incorrect Positioning of the Tether Strap:***  
*Positioning the tether strap on top of the head restraint is dangerous. In a collision, the head restraint could bend or break. This will cause the strap to loosen. The child-restraint system could move and injure the child or someone else. Always position the tether strap between the head restraint and the seat back.*



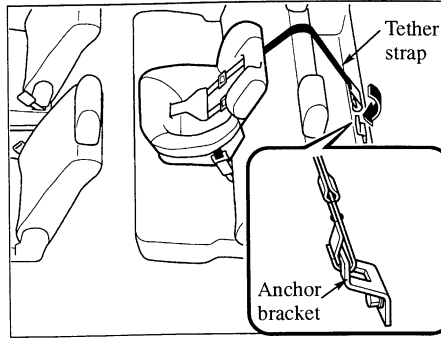
▼ **Third-row center seat child-restraint system installation (Lap belt)**

In the third-row seat, tether equipped child-restraint systems belong only in the center seat where there is a tether anchor available. Follow these instructions when using a child-restraint system.

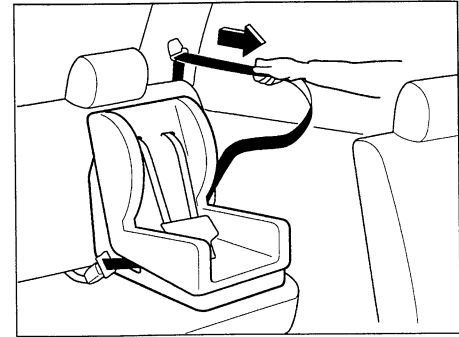
1. Secure the system with a lap belt. Adjust for a snug fit by pulling on the loose end of the belt webbing.



2. If your child-restraint system requires the use of a tether strap, peel back the carpeting in the rear luggage compartment to expose the anchor bracket.



3. Hook the tether strap by following the child-restraint system manufacturer's instructions.



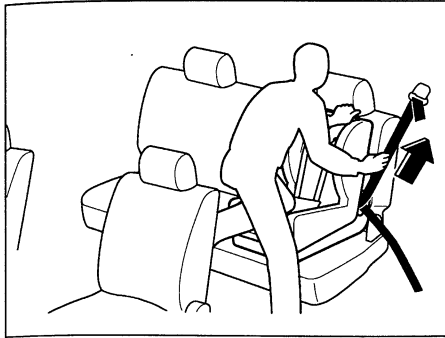
### ▼ Third-row outboard seat child-restraint system installation (Lap/shoulder belt)

Follow these instructions when using a child-restraint system.

1. Secure the child-restraint system with the lap portion of the lap/shoulder belt. See the instructions on the child-restraint system for belt routing instructions.

### **⚠ WARNING**

***Child-Restraint Tether Usage:***  
***Using the tether to secure anything but a child-restraint system is dangerous. This could weaken or damage the tether or tether anchor and result in injury. Use the tether and tether anchor only for a child-restraint system.***



2. To get the retractor into the automatic locking mode, pull the shoulder belt portion of the seat belt until the entire length of the belt is out of the retractor. Position the belt correctly, push the child-restraint system firmly into the vehicle seat and be sure the belt retracts as snugly as possible. Clicking from the retractor will be heard during retraction if the system is in the automatic locking mode. If the belt does not lock the seat down tight, repeat this step.
3. Inspect this function before each use of the child-restraint system. You should not be able to pull the shoulder belt out of the retractor while the system is in the automatic locking mode. When you remove the child-restraint system, be sure the belt fully retracts to return the system to emergency locking mode before occupants use the seat belts.

▼ **If you must use the front seat for children**

If you cannot put all children in the rear seats, at least put the smallest in the rear seats and be sure the largest child up front uses the shoulder belt over the shoulder. Do not put rear-facing child-restraint systems on the front passenger's seat. This seat is also not set up for tethered child-restraint systems, put them in one of the second-row seat or third-row center seat positions set up with tether anchors. Don't allow anyone to sleep against the right front door if you have an optional side air bag, it could cause serious injuries to an out of position occupant. As children more often sleep in cars, it is better to put them in the rear seat. If installing the child-restraint system on the front seat is unavoidable, follow these instructions when using a front-facing child-restraint system in the front passenger's seat. To check if your Mazda front seats have side air bags-every Mazda side air bag will

have a “SRS-Air Bag” label on the outboard shoulder of the front seats.

### **WARNING**

#### Front Passenger’s Seat Position:

*As your vehicle has front air bags and doubly so if your vehicle has optional side air bags, a front-facing child-restraint system should be put on the front seat only when it is unavoidable. Always move the seat as far back as possible, because the force of a deploying air bag could cause serious injury or death to the child.*

### **WARNING**

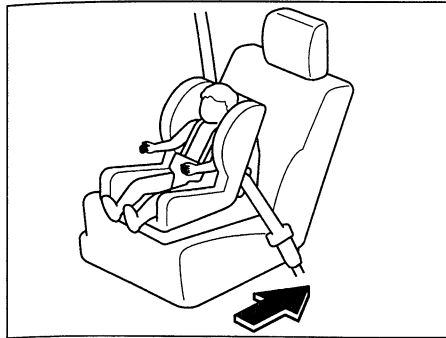
#### Rear-Facing Child-Restraint System:

*Rear-facing child-restraint systems on the front seat are particularly dangerous. The child-restraint system can be hit by a deploying air bag and moved violently backward resulting in serious injury or death to the child. Never use a rear-facing child-restraint system in the front seat with an air bag that could deploy.*

### **WARNING**

#### Seating Position with Side Air Bag:

*Allowing a child to lean over or against the front door is dangerous. If the vehicle is equipped with side air bags, the impact of an inflating side air bag could cause serious injury or death to the child. Children are more likely to sleep in the vehicle, when they do, they are more at risk in the front passenger’s seat that has a side air bag because they may slump over into the path of the seatback-mounted air bag. If a child can’t be seated in the rear, do not allow the child to lean over or against the front door, even if the child is seated in a child-restraint system.*



▼ **Front passenger's seat child-restraint system installation (Lap/shoulder belt)**

1. Slide the seat as far back as possible.
2. Secure the child-restraint system with the lap portion of the lap/shoulder belt. See the instructions on the child-restraint system for belt routing instructions.

3. To get the retractor into the automatic locking mode, pull the shoulder belt portion of the seat belt until the entire length of the belt is out of the retractor. Position the belt correctly, push the child-restraint system firmly into the vehicle seat and be sure the belt retracts as snugly as possible. Clicking from the retractor will be heard during retraction if the system is in automatic locking mode. If the belt does not lock the seat down tight, repeat this step.
4. Inspect this function before each use of the child-restraint system. You should not be able to pull the shoulder belt out of the retractor while the system is in the automatic locking mode. When you remove the child-restraint system, be sure the belt fully retracts to return the system to emergency locking mode before occupants use the seat belts.

## Supplemental Restraint Systems

■ **The front and side supplemental restraint systems include 4 air bags. They are located in:**

- **The steering wheel**
- **The passenger side dashboard**
- **The outboard sides of the front seatbacks**

These systems operate independently depending on the type of accident encountered; both side air bags are not likely to deploy in the same accident because a vehicle is not often hit from both sides. The front and side air bag systems will not normally deploy during the same type of accident unless a combination of frontal and side impacts occur.

In a front-end or side impact, the air bag supplemental restraint systems are designed to provide only supplemental protection for the driver and front seat passenger. Seat belts must still be worn.

Without seat belt usage, the air bags cannot provide adequate protection during an accident. Seat belt usage is necessary to:

- Keep the passenger away from an inflating air bag.
- Reduce the possibility of injuries during an accident that is not designed for air bag inflation, such as roll-over or rear impact.
- Reduce the possibility of injuries in frontal or side collisions that are not severe enough to activate the air bags.
- Reduce the possibility of being thrown from your vehicle.
- Reduce the possibility of injuries to lower body and legs during an accident because the air bags allows no protection to these parts.
- Hold the driver in a position which allows better control of the vehicle.

### **WARNING**

#### ***Air Bags without Seat Belts:***

***Depending only on the air bags for protection during an accident is dangerous. Alone, air bags may not prevent serious injuries. The appropriate air bags can be expected to inflate only during a frontal, side or near-frontal collision of at least moderate force. Vehicle occupants should always wear seat belts.***

Small children, those under 18 kg (40 lb), should be protected by a child-restraint system (page 2-41).

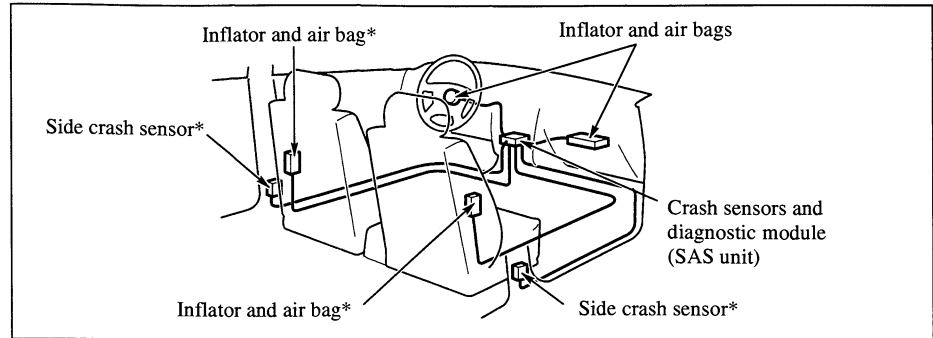
### **WARNING**

#### ***Child in the Front Seat:***

***Placing a child, 12 years or under, in the front seat is dangerous. The child could be hit by a deploying air bag and be seriously injured or even killed. A sleeping child is more likely to lean against the door and be hit by the side air bag in a moderate, right-side collision. Whenever possible, always secure a child 12 years and under on the rear seat with an appropriate child-restraint system for the child's age and size. Never use a rear-facing child-restraint system on the front seat with an air bag that could deploy.***

## **WARNING**

***Child-Restraint System Positioning:***  
*Rear-facing child-restraint systems on the front seat are particularly dangerous. The child-restraint system can be hit by a deploying air bag and moved violently backward resulting in serious injury or death to the child. Never use a rear-facing child-restraint system in the front seat with an air bag that could deploy.*

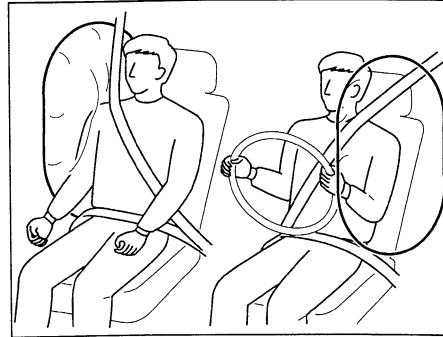
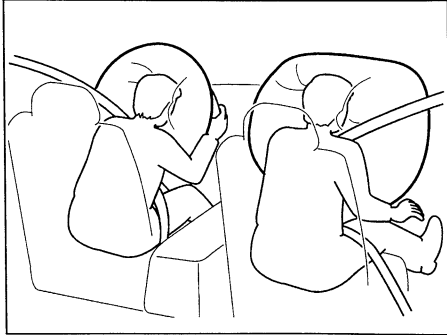


### ■ System Description

The supplemental restraint systems have two basic subsystems:

- The air bag system with inflators and air bags.
- The electric system with crash sensors and diagnostic module.

The air bags are mounted in the following locations: the center of the steering wheel, the passenger side of the dashboard, and in the outboard sides of the front seatbacks. They are out of sight until activated.



### ■ How the Air Bags Work

When air bag crash sensors detect a frontal or side impact of greater than moderate force, an electrical current is sent to the inflators. Nitrogen and argon gases are produced to inflate the air bags. After the inflation, the air bags quickly deflate.

The air bags will function only once. After that, **the air bags will not work again and must be replaced.**

Only an Authorized Mazda Dealer can replace the systems.

### **⚠ WARNING**

#### ***Seating Position with Front Air Bags:***

***Sitting too close to the air bag storage compartments or placing hands or feet on them is extremely dangerous. Front air bags inflate with great force and speed. Serious injuries could occur if someone is too close. The driver should always hold onto only the rim of the steering wheel. The front seat passenger should keep both feet on the floor. Front seat occupants should adjust their seats as far back as possible and always sit upright against the seatbacks with seat belts worn properly.***



## WARNING

### Seating Position with Side Air Bags:

*Sitting too close to the side air bag storage compartments or placing hands on them is extremely dangerous. A side air bag inflates with great force and speed directly out of the outboard shoulder of the front seat and expands along the front door on the side the car is hit. Serious injury could occur if someone is sitting too close to the door or leaning against a window in the front seats or if rear seat occupants grab the sides of the front seatbacks. Furthermore, sleeping up against the door or hanging out the driver's-side window while driving could block the side air bag and eliminate the advantages of supplemental protection. Give the side airbags room to work by sitting in the center of the seat while the vehicle is moving with seat belts worn properly.*

## NOTE

When an air bag deploys, a loud inflation noise can be heard and some smoke will be released. Neither is likely to cause injury, however, the texture of the air bags may cause light skin injuries on body parts not covered with clothing through friction.

## WARNING

### Hot Air Bag Inflators:

*Hot air bag inflators are dangerous. Immediately after inflation, the inflators in the steering wheel, dashboard or the seatbacks are very hot. You could get burned. Don't touch the internal components of the air bag storage areas after the bags have inflated.*

## WARNING

### Modification of the Supplemental Restraint System:

*Modifying the components or wiring of the supplemental restraint system is dangerous. You could accidentally activate it or make it inoperable. Don't make any modifications to the supplemental restraint system. This includes installing trim, badges, or anything else over the air bag storage areas. It also includes installing extra electric equipment on or near system components or wiring. An Authorized Mazda Dealer can provide the special care needed in the removal and installation of front seats. It is important to protect the side air bag wiring and connections to assure that the bags do not accidentally deploy and that the seats retain an undamaged air bag connection.*

** WARNING**

**Installation of Front-End**

**Equipment:**

*Installation of front-end equipment, such as frontal protection bar (kangaroo bar, bull bar, push bar, etc.), snowplow, or winches, is dangerous. The air bag crash sensor system could be affected. This could cause air bags to inflate unexpectedly, or it could prevent the air bags from inflating during an accident. Front occupants could be seriously injured. Never install any front-end equipment to your vehicle.*

** WARNING**

**Front Air Bag Storage Areas:**

*Attaching an object to a front air bag storage area or placing something in front of it is dangerous. In an accident, the object could interfere with front air bag inflation and injure the occupants. Always keep the front air bag storage areas free of objects.*

** WARNING**

**Side Air Bag Storage Areas:**

*Attaching things to the seat in such a way as to cover the outboard side of the seat in any way is dangerous. In an accident the object could interfere with the side air bag, which inflates from the outboard side of the front seats, impeding the added protection of the side air bag system or redirecting the air bag in a way that is dangerous. Furthermore, the bag could be cut open spewing exhaust. Do not hang net bags, map pouches or back pads with side straps on the front seats. Always keep the side air bag storage areas in your front seats free to deploy in the event of a side collision.*

 **WARNING**

Using Seat Covers:

*Using a seat cover on the front seats is dangerous. In a severe side collision, the seat covers could interfere with the side air bag inflation and serious injuries could result. Never use seat covers on the front seats.*

 **WARNING**

Damaged Air Bag Sensors:

*Driving with damaged air bag sensors is dangerous. A collision, even one not strong enough to inflate the air bags, could damage the sensors. If there was a subsequent collision, a damaged sensor would not inflate the air bags. Always have an Authorized Mazda Dealer inspect the supplemental restraint systems after a collision.*

 **WARNING**

Suspension Adjustment:

*Adjusting the vehicle suspension is dangerous. If the vehicle's height or the suspension is changed, the vehicle will be unable to accurately detect a collision resulting in incorrect or unexpected air bag deployment and the possibility of serious injuries.*

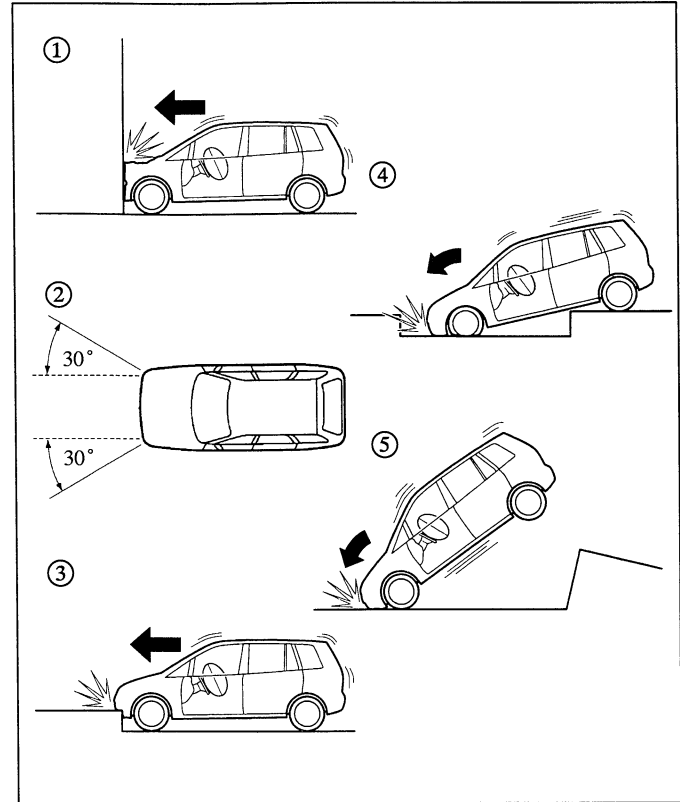
 **CAUTION**

To prevent damage to the side air bag wiring, don't place luggage or other objects under the front seats.

### ■ Front Air Bag Activation

A greater than moderate impact will cause the front air bags to inflate in the following cases:

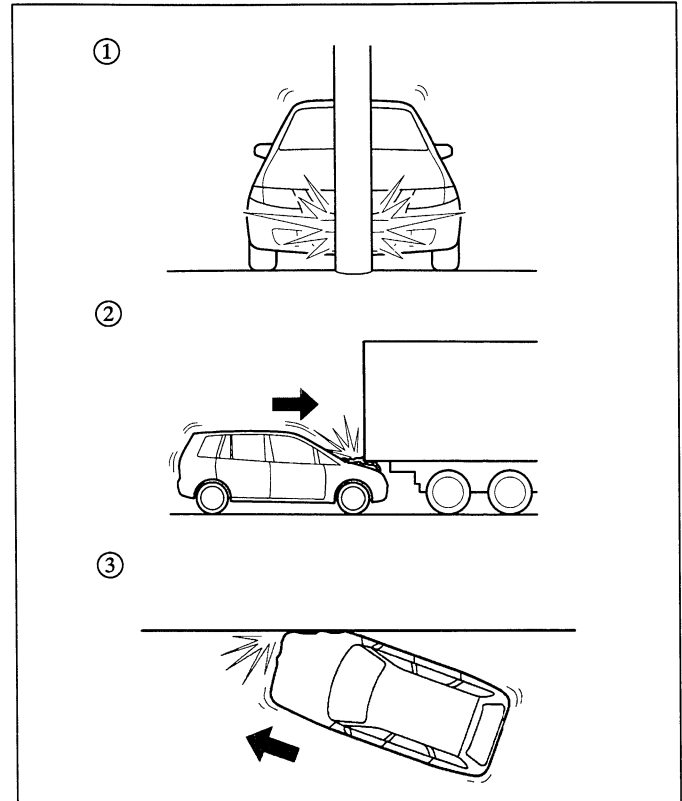
- ① Hitting a solid wall straight on at greater than about 22 km/h (14 mph).
- ② Frontal impact within about a 30 degree range from head on to the vehicle.
- ③ Hitting a curb, pavement edge or hard object.
- ④ Driving into a big hole or hitting the far side of a hole.
- ⑤ Landing hard or the vehicle falling.



■ **Limitations to Front Air Bag Activation**

Depending on the severity of impact, the front air bags may not inflate in the following cases:

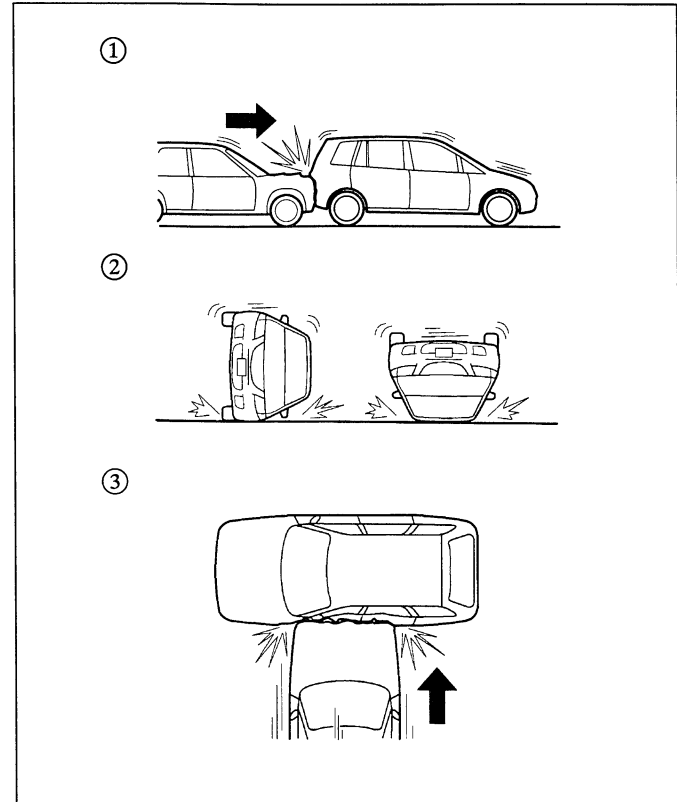
- ① Impacts involving trees or poles cause severe cosmetic damage but may not have enough impact to activate the air bag.
- ② Rear-ending or running under a truck's tail gate may not provide the stopping force necessary for air bag deployment.
- ③ Frontal offset impact to the vehicle may not provide the stopping force necessary for air bag deployment.



### ■ Non-Activation of Front Air Bags

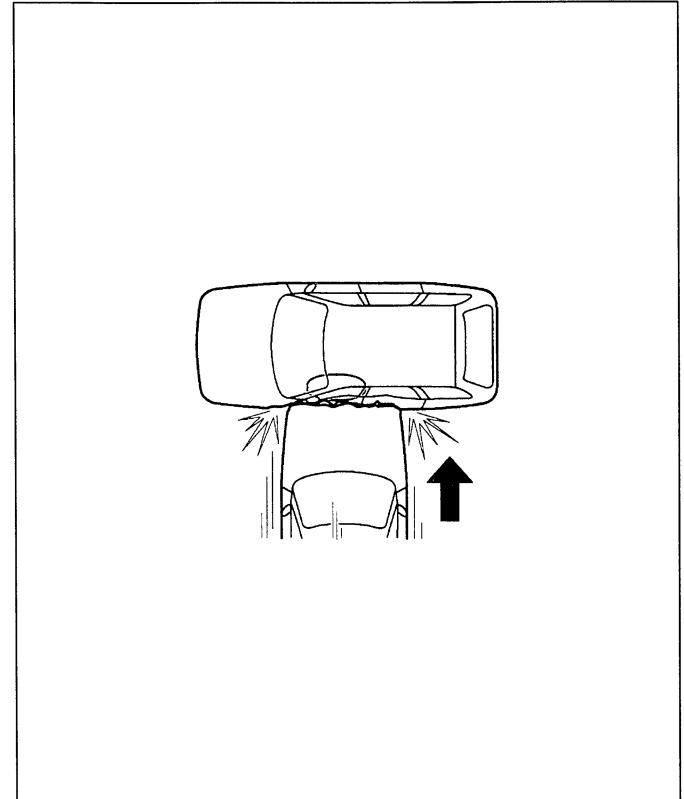
Front air bags will not normally inflate in the following cases:

- ① Collision from the rear.
- ② Vehicle roll-over, may deploy the side air bag(s) but not the front air bags.
- ③ Impact to the side, but it may deploy a side air bag.



■ Side Air-Bag Activation

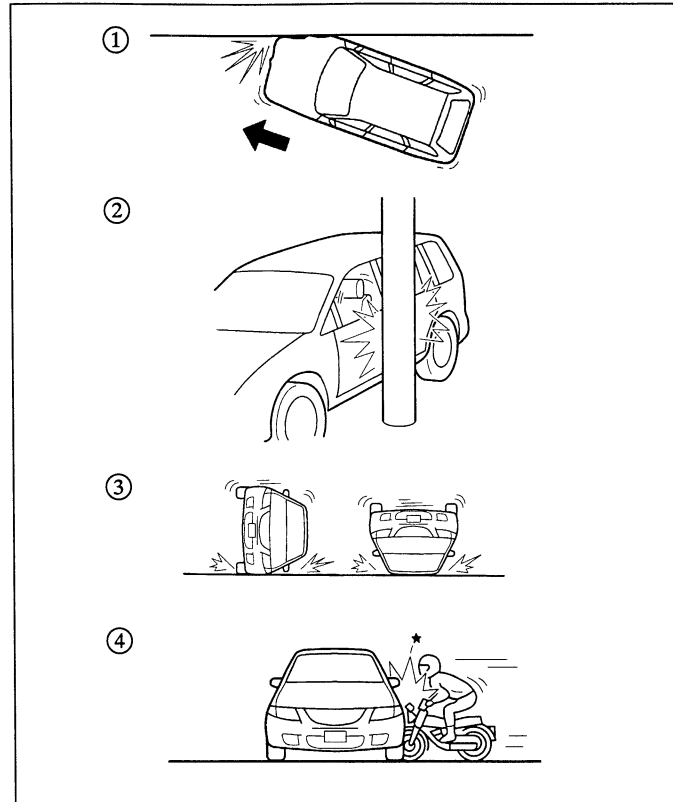
Greater than moderate impact to one side of the vehicle (driver or passenger side areas) will cause a side air bag to inflate, but it will not normally deploy the front air bags.



### ■ Limitations to Side Air Bag Activation

Depending on the severity of impact, a side air bag may not inflate in the following cases:

- ① Frontal offset impact may not provide enough side impact to deploy a side air bag.
- ② Side impacts involving trees or poles can cause severe cosmetic damage but may not have enough impact force to activate a air bag.
- ③ Vehicle roll-over may not provide enough side force to deploy the side air bags.
- ④ Side impacts with two-wheeled vehicles may not provide enough force to deploy a side air bag.

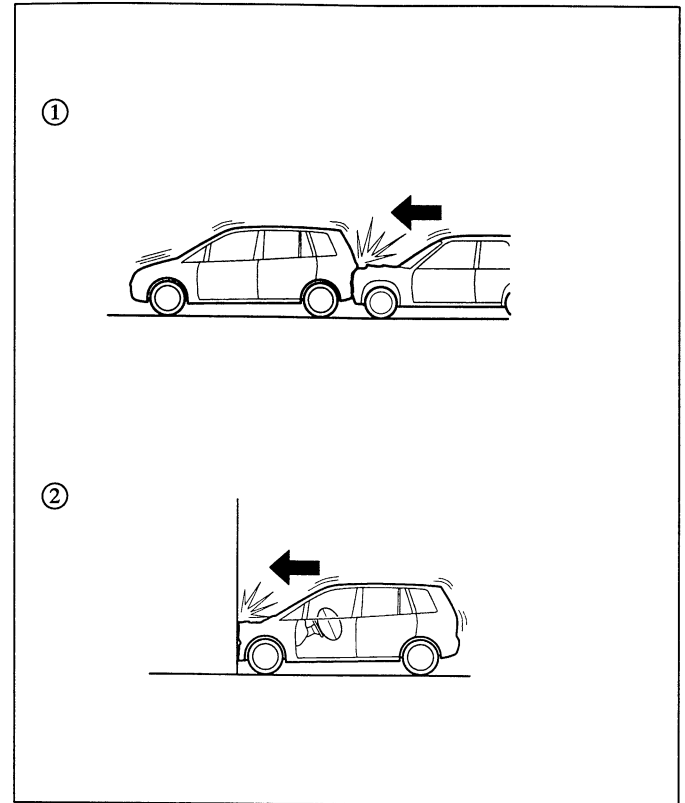




■ **Non-Activation of Side Air-Bags**

A side air bag will not normally inflate in the following cases:

- ① Collision from the rear.
- ② Collision from the front, but it may deploy the front air bags.

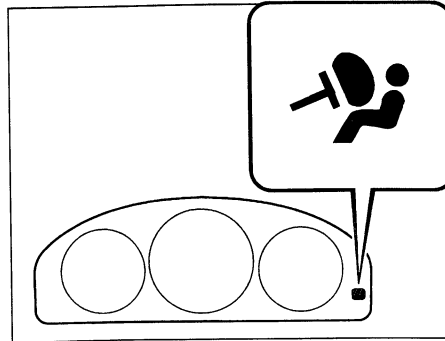


### ■ Constant Monitoring

The following components of the supplemental restraint systems are monitored by a diagnostic system:

- SAS unit
- Air bag modules
- Side air bag crash sensors\*
- Related wiring

A diagnostic module continuously monitors the system's readiness. This begins when the ignition switch is turned to the ON position and continues while the vehicle is being driven.



### ▼ Supplemental restraint system warning light

If the supplemental restraint system is OK, the SRS warning light comes on when the ignition switch is turned to the ON position or after the engine is cranked. After about 6 seconds it goes out.

A system malfunction is indicated when the SRS warning light constantly flashes, stays on or doesn't come on at all. If any of these occur, consult an Authorized Mazda Dealer as soon as possible. The system may not work in an accident.

## **WARNING**

### Self-Servicing the Supplemental Restraint Systems:

*Self-servicing or tampering with the supplemental restraint systems is dangerous. An air bag could accidentally activate or become disabled. This could cause serious injuries. Never tamper with the supplemental restraint systems and always have an Authorized Mazda Dealer perform all servicing and repairs.*

 **WARNING**

**Removing Interior Parts:**

*Removing the front seat, front dashboard, the steering wheel or parts containing air bag sensors is dangerous. These parts contain essential air bag parts. The air bag could accidentally activate and cause serious injuries. Always have an Authorized Mazda Dealer remove these parts.*

 **WARNING**

**Air Bag Disposal:**

*Improper disposal of an air bag or a vehicle with live air bags in it can be extremely dangerous. Unless all safety procedures are followed, injury can result. Ask an Authorized Mazda Dealer how to safely dispose of an air bag or how to scrap an air bag equipped vehicle.*

■ **Maintenance**

The supplemental restraint system is maintenance-free. But if any of the following occurs, take your vehicle to an Authorized Mazda Dealer as soon as possible:

- The supplemental restraint system warning light flashes.
- The supplemental restraint system warning light stays on.
- The supplemental restraint system warning light stays off when the ignition switch is turned to the ON position.
- The air bags inflate

### NOTE

Should you sell your Mazda, we urge you to tell the new owner of its supplementary restraint systems and that familiarization with all instructions about them, from the Owner's Manual, is important.

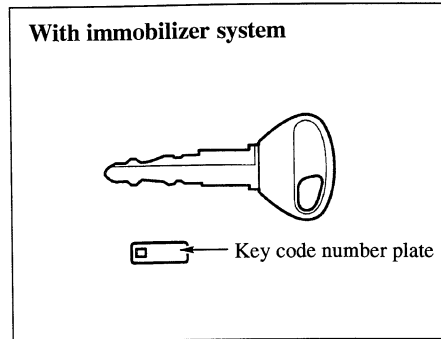
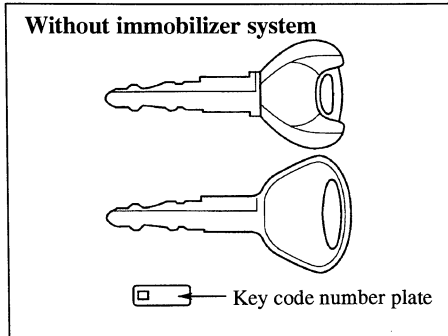
# 3

## Knowing Your Mazda

*Security takes many forms and is very important to owner and occupants. Section 3 describes the safe way to use your Mazda: keys, locks, windows and interior lighting.*

Keys	3- 2
Door Locks	3- 3
Keyless Entry System	3- 8
Power Windows	3-12
Rear Quarter Windows	3-14
Liftgate	3-15
Hood Release	3-16
Immobilizer System	3-18
Theft-Deterrent System	3-21
Fuel-Filler Lid	3-24
Fuel-Filler Cap	3-25
Steering Wheel	3-26
Mirrors	3-27
Sunroof	3-31
Interior Lights	3-34
Map Lights	3-36
Liftgate Light	3-37
Cargo Securing Loops	3-38

### Keys



The keys operate all locks.

### **⚠ CAUTION**

**(With Immobilizer System)**

To avoid damage to the key, do not:

- Drop the key.
- Get the key wet.
- Expose the key to any kind of magnetic field.
- Expose the key to high temperatures on places such as the dashboard or hood, under direct sunlight.

### **⚠ CAUTION**

**(With Immobilizer System)**

When starting the engine, do not let the following materials touch the key grip. The engine may not start:

- Spare keys.
- Keys for other vehicles equipped with an immobilizer system.
- Metal objects that touch or pass through the hole in the key.

A code number is stamped on the plate attached to the key set; detach this plate and store it in a safe place (not in the vehicle) for use if you need to make a replacement key.

Also write down the code number and keep it in another safe and handy place, but not in the vehicle.

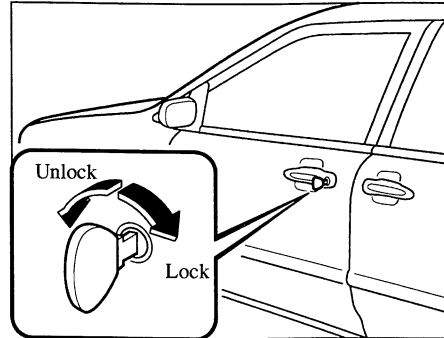
If your key is lost, consult your Authorized Mazda Dealer with the code number ready.

## Door Locks

### **WARNING**

#### ***Keys and Children:***

*Leaving children in a vehicle with the ignition key is dangerous. This could result in someone being badly injured or even killed. They could play with power windows or other controls, or even make the vehicle move. Don't leave the keys in your vehicle with children.*

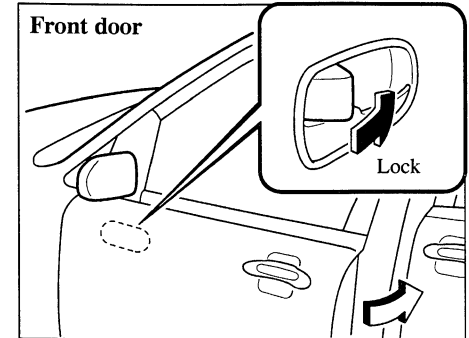


#### ■ Outside Door Lock

#### ▼ Locking, unlocking with key

The door can be locked or unlocked with a key.

Turn the key toward the front to unlock, toward the back to lock.

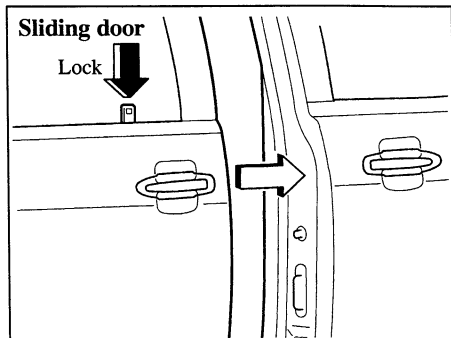


#### ▼ Locking without key

To lock a front door without a key, push the inside lock button and close the door.

#### **NOTE**

When locking the doors this way, be careful not to leave the key inside the vehicle.



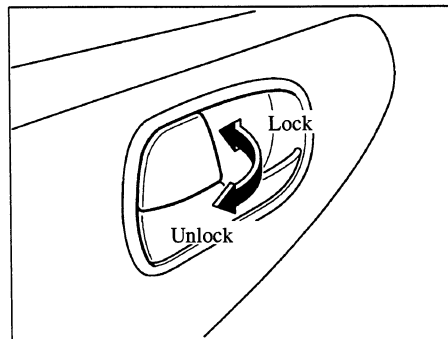
To lock the sliding door, push the inside lock button and close the door.

### **WARNING**

***Unattended Children and Pets:***  
*Leaving a child or an animal unattended in a parked vehicle is dangerous. In hot weather, temperatures inside a vehicle can become high enough to cause brain damage or even death. Always take all children and animals with you or leave a responsible person with them.*

### **NOTE**

Always remove the key from the ignition switch, close all windows, and lock all doors when leaving your vehicle unattended. This discourages intruders and thieves.



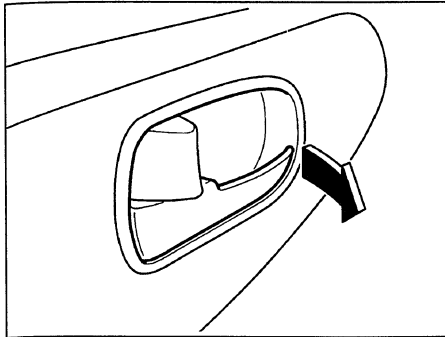
### ■ **Inside Door Lock**

### ▼ **Front door**

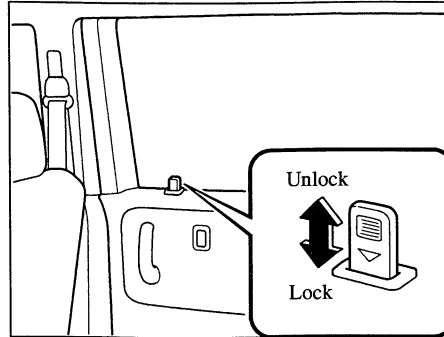
To lock a front door, push the door lock button into the door handle area.

To unlock, pull it out.





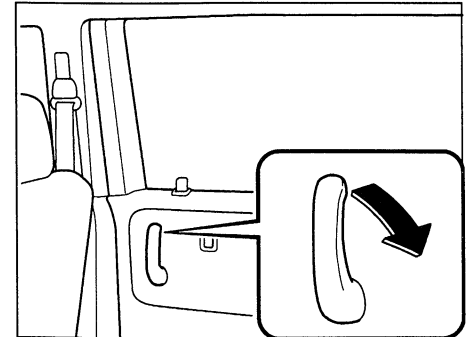
To open, pull the door handle.



▼ Sliding door

To lock a sliding door, push the door lock button down.

To unlock, raise it.



To open, pull the door handle.

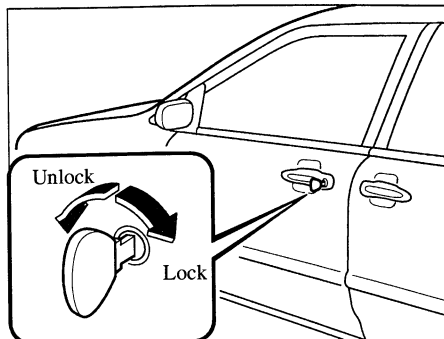
**NOTE**

The left-side sliding door cannot be opened when the fuel-filler lid is open. Close the fuel-filler lid to open the sliding door.

**⚠ WARNING**

**Unlocked Doors:**

*Unlocked doors in a moving vehicle are dangerous. Passengers can fall out if a door is accidentally opened and can more easily be thrown out in an accident. So keep all doors locked when driving.*



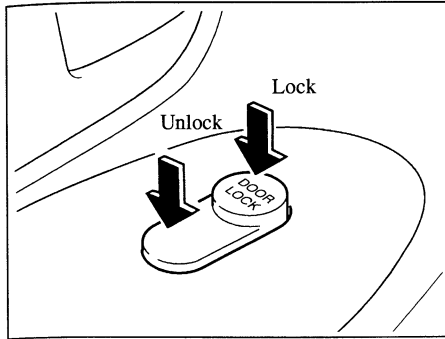
**NOTE**

Holding the key in the unlocked position in the driver's door lock for about a second unlocks all doors and the liftgate. To unlock only the driver's door, insert a key into the driver's door lock and turn the key briefly to the unlock position and then immediately return it to the center position.

■ **Power Door Locks\***

▼ **Locking, unlocking with key**

All doors and the liftgate lock automatically when either front door is locked with a key. All doors and the liftgate unlock when the driver's door is unlocked and the key is held in the unlock position. Also, all doors and the liftgate unlock when the front passenger's door is unlocked.



▼ **Locking, unlocking with door-lock switch**

All doors and the liftgate lock automatically when DOOR LOCK is pushed. They all unlock when the unmarked part of the door-lock switch is pushed.

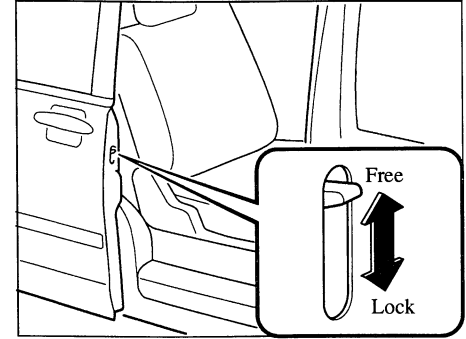
**NOTE**

Always remove the key from the ignition switch, close all windows, and lock all doors when leaving your vehicle unattended. This discourages intruders and thieves.

**⚠ WARNING**

**Keys and Children:**

***Leaving children in a vehicle with the ignition key is dangerous. This could result in someone being badly injured or even killed. They could play with power windows or other controls, or even make the vehicle move. Don't leave the keys in your vehicle with children.***



■ **Rear Door Child Safety Lock**

This lock is intended to help prevent children from accidentally opening the rear doors. Use it whenever a child rides in the vehicle.

If you slide the child safety lock to the lock position before closing that door, the door cannot be opened from the inside. The door can be opened only by lifting the outside handle.

### Keyless Entry System\*

This system locks and unlocks the doors and the liftgate. It can also help you signal for attention in an emergency. Press the button slowly and accurately.

#### CAUTION

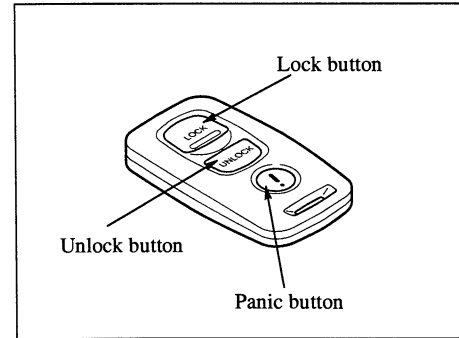
To avoid damage to the transmitter, do not drop it, get it wet or expose it to heat or sunlight.

#### NOTE

- The keyless entry system is designed to operate up to about 2.5 m (8 ft) from the center of the vehicle, but this may vary because of local conditions.
- The system doesn't operate when the ignition switch is in the ON position.

(Continued)

- If the transmitter does not operate when pressing a button or the operation range becomes too small, the battery may be dead. To install a new battery, refer to Maintenance (page 3-10).
- Additional transmitters can be obtained at an Authorized Mazda Dealer. Up to 3 additional transmitters can be used with the keyless entry system per vehicle. Bring all transmitters to an Authorized Mazda Dealer when the electronic codes need to be reset.



#### ■ Transmitter

**NOTE**

This device complies with part 15 of the FCC Rules and with RSS-210 of Industry Canada. Operation is subject to the following two conditions: (1) This device may not cause harmful interference, and (2) this device must accept any interference received, including interference that may cause undesired operation. (Outside transmissions may momentarily interfere with the device's operation.)

▼ **Lock button**

To lock the doors and the liftgate, press the LOCK button.

To confirm that all the doors and the liftgate have been locked, press the LOCK button again within 5 seconds. If they are locked, the horn will sound.

**NOTE**

Confirm that all doors and the liftgate are locked visually or aurally by use of the double click.

▼ **Unlock button**

To unlock the driver's door, press the UNLOCK button.

To unlock all the doors and the liftgate, press the UNLOCK button again within 5 seconds.

▼ **! Panic button**

You can use the ! button to turn on the alarm, which allows you to signal for attention in an emergency.

**NOTE**

The alarm will work whether the driver's door, passenger door and sliding door are open or closed.

**Turning on the alarm**

Pressing the ! button once will sound the horn intermittently and flash the headlights and hazard warning lights for about 2 minutes and 30 seconds.

**Turning off the alarm**

Press any button on the transmitter.

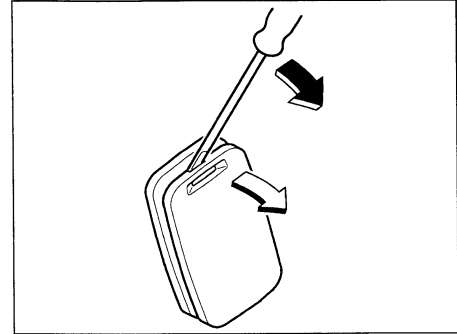
### ■ Maintenance

#### ⚠ CAUTION

- Make sure the battery is installed with the correct pole facing upward. Battery leakage could occur if it is not installed correctly.
- When replacing the battery, be careful not to bend the electrical terminals or get oil on them. Also be careful not to get dirt in the transmitter as it could damage it.

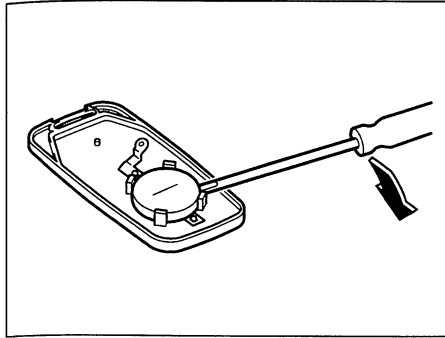
#### ⚠ CAUTION

- Danger of explosion if battery is incorrectly replaced.
- Replace only with the same type battery (page 3-11).
- Dispose of used batteries according to the following instructions.
  - Insulate the plus and minus terminal of the battery by using cellophane or equivalent tape.
  - Never disassemble.
  - Never throw the batteries into fire and/or water.
  - Never deform or crush.

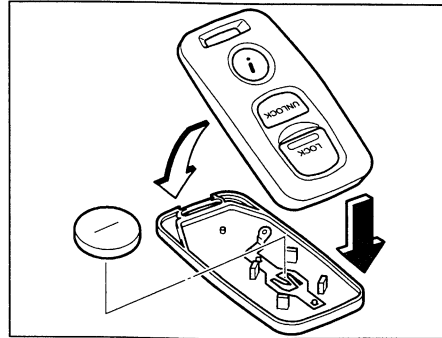


#### ▼ Replacing the transmitter battery

1. Insert a small screwdriver into the slot and gently pry open the transmitter.



2. Remove the battery.



3. Put in the new battery (CR2025 or the equivalent) with the negative pole (-) facing up.

4. Align the front and back covers and snap the transmitter shut.

▼ Service

If you have a problem with the keyless entry system, consult an Authorized Mazda Dealer.

If your transmitter is lost or stolen, bring all remaining transmitters to an Authorized Mazda Dealer as soon as possible for a replacement and to make the lost or stolen transmitter inoperative.

**⚠ CAUTION**

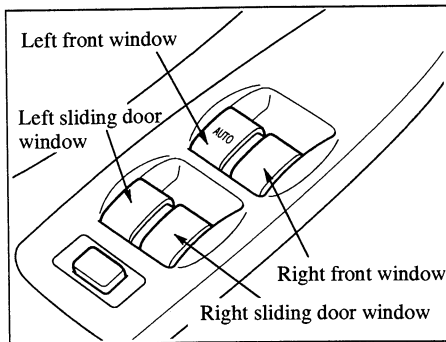
- Changes or modifications could void your right to operate the keyless entry system.
- Damage to your keyless entry system will affect the vehicle warranty coverage.

## Power Windows

### **WARNING**

#### Closing Power Windows:

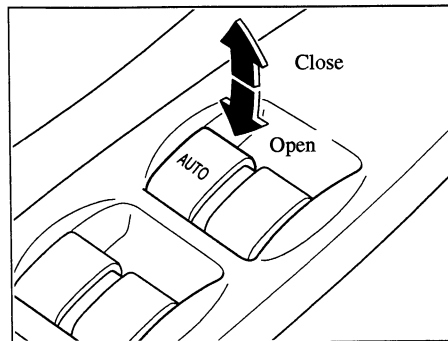
*Closing power windows are dangerous. A person's hands, head, or even neck could be caught by the window and result in serious injury or even death. This warning applies especially to children. Make sure the opening is clear before closing a window.*



#### ■ **Driver's Door Power Window Switches**

The ignition switch must be in the ON position for the power windows to operate.

All windows may be opened or closed by the power window master control switches on the driver's door.



To open the window, push down the switch.

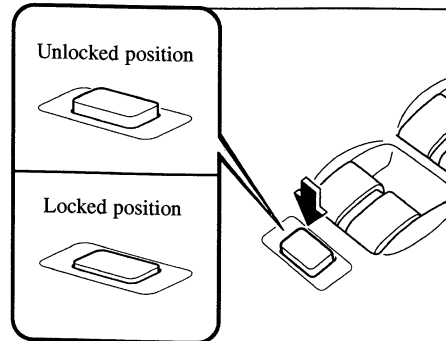
To close, pull up the switch.



▼ **Auto-opening (Driver's window)**

To fully open the window automatically:  
Push the switch completely down to open.

To stop the window partway, pull the  
switch in the opposite direction and then  
release it.



■ **Power Window Lock Switch**

With the lock switch in the unlocked  
position, all power windows on each door  
can be operated.

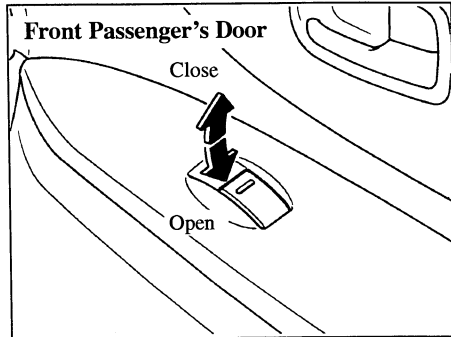
With the lock switch in the locked  
position, only the driver's door power  
window can be operated.

**⚠ WARNING**

***Unintentional Window Operation:***  
*Unintentional window operation is dangerous. A person's hands, head, or neck could be caught by the window and result in serious injury. Unless a passenger needs to operate a window, keep the power window lock switch in the locked position.*

**⚠ CAUTION**

To prevent burning out the fuse and  
damaging the power window system,  
don't open or close more than two  
windows at once.

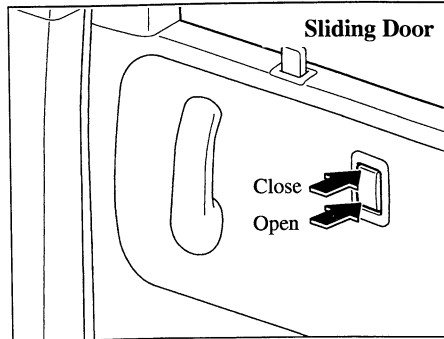


### ■ Passenger-Door Power Window Switches

The ignition switch must be in the ON position for the power windows to operate.

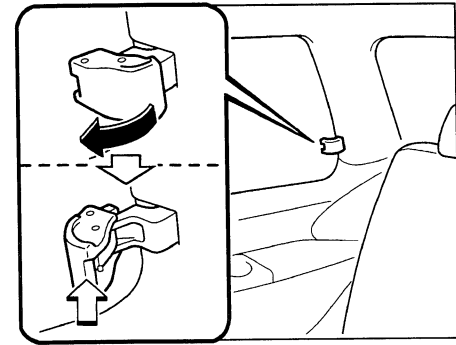
To open the front passenger's window, push down the switch.

To close the front passenger's window, pull up the switch.



To open the rear window, push the lower part of the switch.  
To close the rear window, push the upper part of the switch.

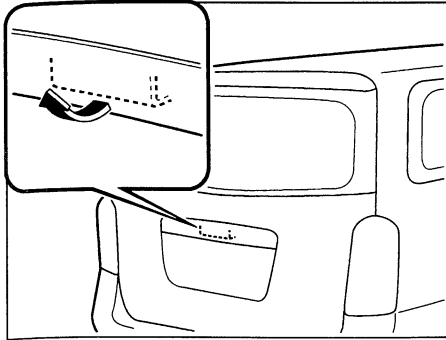
## Rear Quarter Windows



Open or close the swing-out rear quarter windows by releasing the latch and moving the window.

- To open a window, pull the latch inward and then push the window outward.
- To close it, pull the latch inward and then push it backward until it snaps shut. Make sure the window is securely closed.

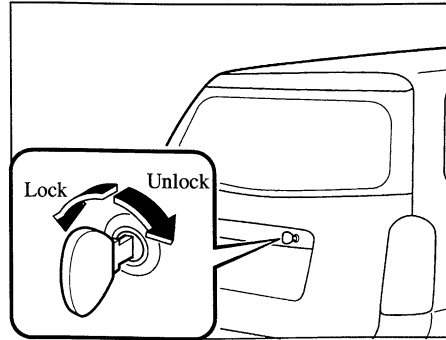
## Liftgate



### ■ Outside

#### ▼ Opening the liftgate

To open the liftgate, pull up on the handle.



#### ▼ Locking the liftgate

To lock the liftgate with the key, insert the key and turn it counterclockwise.

#### ▼ Unlocking the liftgate

To unlock the liftgate with the key, insert the key and turn it clockwise.

### ■ Remote Liftgate Lock

If your Mazda has a power door-lock system and keyless entry system, you can lock the liftgate by pushing the area on the door-lock switch marked “DOOR LOCK”, by using a key in the either front door or by pushing the LOCK button on the keyless entry system transmitter (page 3-6, 3-8).

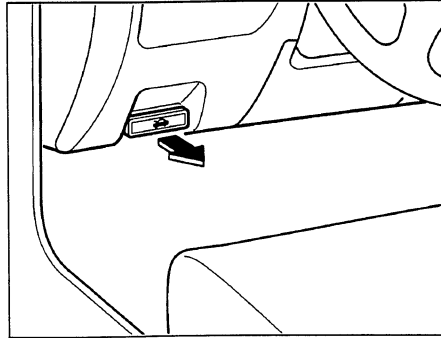
You can unlock the liftgate by pushing the unmarked part of the door-lock switch, by using a key in either front door or by pushing the UNLOCK button on the keyless entry system transmitter (page 3-6, 3-8).

## Hood Release

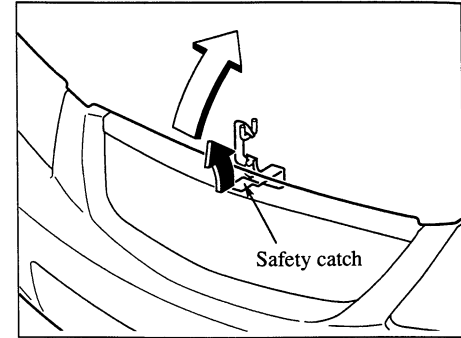
### **WARNING**

#### Open Liftgate:

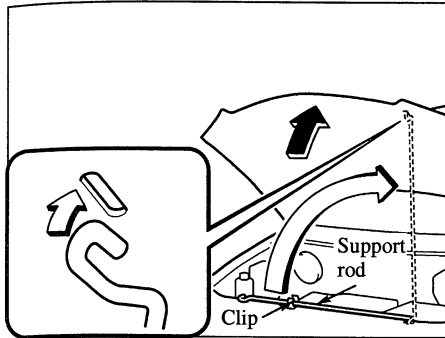
*An open liftgate in a moving vehicle will cause exhaust gas to be drawn into the cabin. This gas contains CO (carbon monoxide), which is colorless, odorless, and highly poisonous, and it can cause loss of consciousness and death. So keep the liftgate closed when driving.*



1. With the vehicle parked, pull the release handle to unlock the hood.



2. Pull the safety catch up and lift the hood.



To close the hood:

- Check under the hood area to make certain all filler caps are in place and all loose items (e.g. tools, oil containers, etc.) have been removed.
- Close the hood so that it locks securely.

3. Use the support rod to hold the hood open.

Before closing the hood, secure the rod in its clip.

### Immobilizer System

If the engine is started without the proper key, the immobilizer system will cause the engine to stall, thereby helping to prevent the theft of your vehicle.

If the system is working properly, the warning light will come on when the ignition switch is turned to the START position. The light will go out when the engine starts.

If the light flashes rapidly, fails to come on, or comes on and stays on, it indicates a system malfunction. If any of these occur, contact an Authorized Mazda Dealer as soon as possible.

#### CAUTION

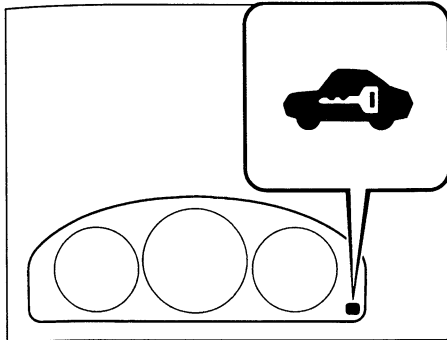
Changes or modifications not expressly approved by Mazda could void the user's authority to operate the equipment.

#### NOTE

This device complies with part 15 of the FCC Rules and with RSS-210 of Industry Canada. Operation is subject to the following two conditions: (1) This device may not cause harmful interference, and (2) this device must accept any interference received, including interference that may cause undesired operation. (Outside transmissions may momentarily interfere with the device's operation.)

#### NOTE

- Signals from a TV or radio station, or from a transceiver or a mobile telephone, could interfere with your immobilizer system. If you are using the proper key and your engine fails to start, check the warning light. If it is flashing, turn the key to the OFF position and try starting the engine again. If it doesn't start after 3 or more tries, contact an Authorized Mazda Dealer.
- If the warning light flashes continuously while you are driving, don't shut off the engine. Go to an Authorized Mazda Dealer and have it checked. If you shut off the engine while the light is flashing you won't be able to restart it.



■ **Operation**

When you start the engine with a key the system recognizes, the system will allow the engine to continue running. However, if someone attempts to start the engine with an unrecognized key, the system will stall the engine immediately after it starts.

**NOTE**

If the warning light comes on and stays on when the ignition switch is turned to the ON position, the engine will not start.

■ **Maintenance**

If you have a problem with the immobilizer system or the key, consult an Authorized Mazda Dealer.

**NOTE**

- The keys carry a unique electronic code. For this reason, and to assure your safety, replacement keys require some waiting time to obtain. They are only available through an Authorized Mazda Dealer.
- Always keep a replacement key, in case one is lost. If a key is lost, contact an Authorized Mazda Dealer as soon as possible.
- If you lose a key, an Authorized Mazda Dealer will reset the electronic codes of your remaining keys and immobilizer system. Starting the vehicle with a key that has not been reset is not possible.

### CAUTION

To avoid damage to the key, do not:

- Drop the key.
- Get the key wet.
- Expose the key to any kind of magnetic field.
- Expose the key to high temperatures on places such as the dashboard or hood, under direct sunlight.

### CAUTION

When starting the engine, do not let the following materials touch the key grip. The engine may not start:

- Spare keys.
- Keys for other vehicles equipped with an immobilizer system.
- Metal objects that touch or pass through the hole in the key.

### ■ Modification and Add-On Equipment

Mazda cannot guarantee the system's operation if the system has been modified or if any add-on equipment has been installed to it.

### CAUTION

To avoid damage to your vehicle, do not modify the system or install any add-on equipment to it.



## Theft-Deterrent System

The optional theft-deterrent system is designed to prevent your vehicle or its contents from being stolen when all the doors, hood, and liftgate are locked.

If forcible entry is attempted, the system sounds the horn and flashes the hazard warning lights and headlights.

### NOTE

The theft-deterrent system operates without the keyless entry system transmitter, as well.

The system won't function unless it's properly armed. So when you leave the vehicle, lock all the doors and the liftgate, close all the windows, take your key, your transmitter, and make sure the security indicator light is flashing.

### ■ Operation

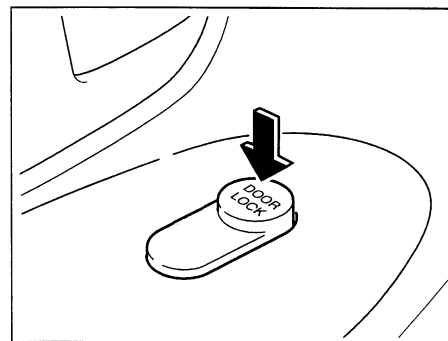
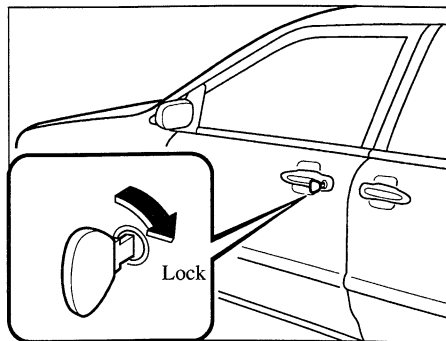
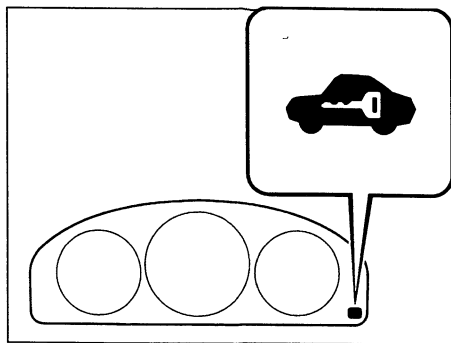
What turns it on:

- Forcing open a door, the hood or the liftgate.
- Opening a door or the hood by operating an inside door-lock button or the hood release handle.

What it does:

- The horn sounds intermittently and the hazard warning lights and headlights flash.
- The alarm continues for about 3 minutes, then stops.

If the system is triggered again, the lights and horn will activate until a door or the liftgate is unlocked with the key or with the transmitter.



### ■ How to Arm the System

1. Remove the ignition key.

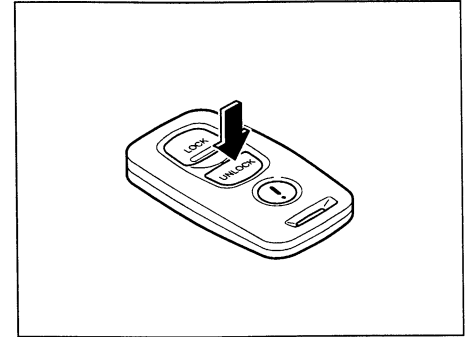
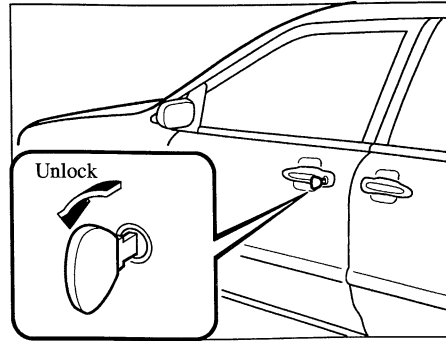
2. Close the hood. Then close the doors and liftgate and lock them from the outside using the key in the door lock. If you have the keyless entry system, press the LOCK button on the transmitter. The hazard warning lights will flash one time to indicate that the system is armed.

The following method will also arm the theft-deterrent system: Close the hood. Press the area on the door-lock switch marked "DOOR LOCK" once. Close all the doors and the liftgate.

**NOTE**

Locking the doors with the inside door-lock button will not arm the system.

3. The indicator light flashes every 3 seconds to indicate that the system is fully armed. It continues to flash until the theft-deterrent system is turned off.



**■ To Turn off an Armed System**

An armed system can be turned off by any one of the following methods:

- Unlock a door or the liftgate with the key.

- Press the UNLOCK button on the keyless entry system transmitter.
- Insert the key into the ignition and turn it to the ON position.

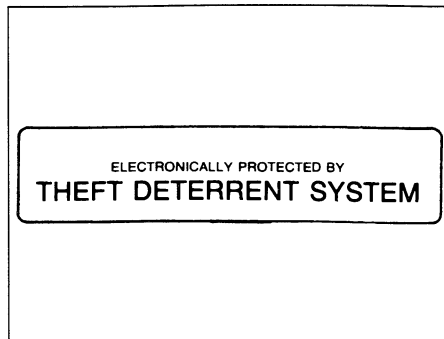
The hazard warning lights will flash twice to indicate that the system is turned off.

### ■ To Stop an Alarm

To turn off a triggered alarm, unlock a door or the liftgate with the key, or press the UNLOCK button on the keyless entry system transmitter.

#### NOTE

If you have any problem with the theft-deterrent system, consult an Authorized Mazda Dealer.

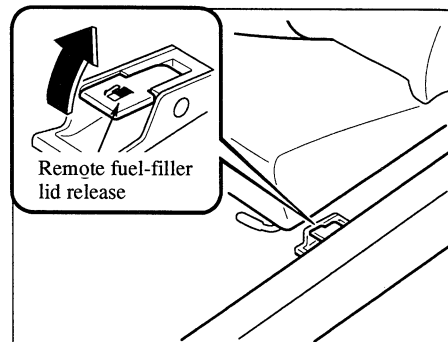


### ■ Theft-Deterrent Labels

Labels indicating that your vehicle is equipped with a Theft-Deterrent System are in the glove box.

Mazda recommends that you affix them to the lower rear corner of the front door windows.

## Fuel-Filler Lid

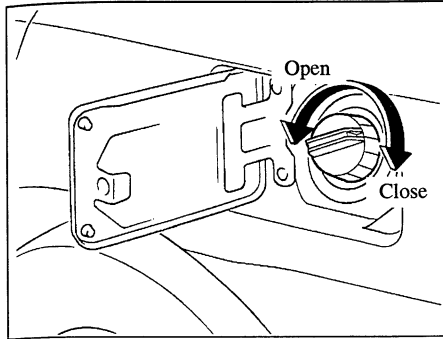


To open, pull up the remote fuel-filler lid release.

#### NOTE

The fuel-filler lid cannot be opened when the left-side sliding door is open. Close the sliding door to open the fuel-filler lid.

## Fuel-Filler Cap



- To remove the filler cap, turn it counterclockwise.
- To replace the filler cap, turn it clockwise until it clicks.

### **⚠ WARNING**

**Fuel Spray:**

*Fuel spray is dangerous. Fuel can burn skin and eyes and cause illness when ingested. Fuel spray is released when there is pressure in the fuel tank and the fuel cap is removed too quickly. When removing the fuel cap, loosen the cap slightly and wait for any hissing to stop. Then remove it.*

### **⚠ CAUTION**

Always use only a designated Mazda fuel cap or an approved equivalent, available at Authorized Mazda Dealer. The wrong cap can result in a serious malfunction of the fuel and emission control systems. It may also cause the check engine light in the instrument cluster to appear.

### **⚠ WARNING**

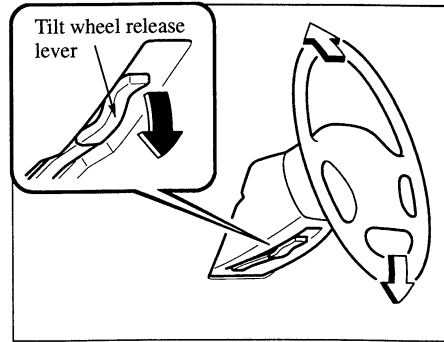
**Fuel Vapor:**

*Fuel vapor is dangerous. It could be ignited by sparks or flames; causing serious burns and injuries. Before refueling, stop the engine. And always keep sparks and flames away from the filler neck.*

## Steering Wheel

### ⚠ CAUTION

Make sure the fuel-filler cap is tightened securely. The check engine light comes on when the cap isn't tightened securely. If the light remains on (even after you have tightened the cap securely, driven, and restarted the engine several times), it may indicate a different problem. Contact an Authorized Mazda Dealer as soon as possible.



### ■ Tilt Wheel

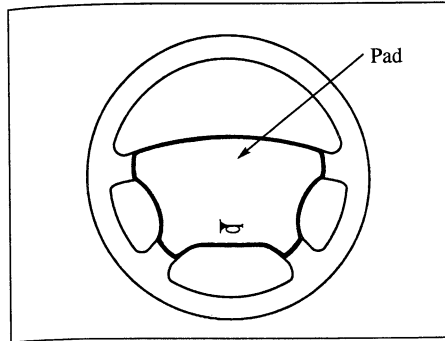
To change the angle of the steering wheel, stop the vehicle, pull the tilt wheel release lever under the steering column down, adjust the wheel, then push the release lever up to lock the column.

After adjusting, push the wheel up and down to be certain it's locked before driving.

### ⚠ WARNING

***Adjusting the Steering Wheel:***  
***Adjusting the steering wheel while the vehicle is moving is dangerous. Moving it can very easily cause the driver to abruptly turn to the left or right. This can lead to loss of control or an accident. Never adjust the steering wheel while the vehicle is moving.***

## Mirrors



### ■ Horn

To sound the horn, press the padded portion of the steering wheel.

Check the horn's operation regularly.

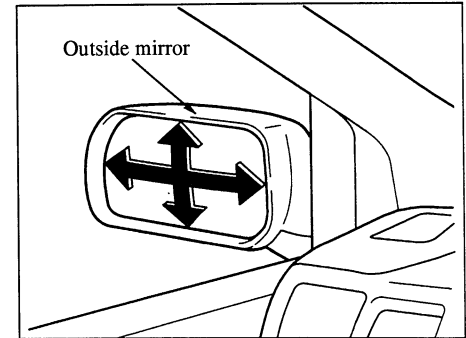
### ■ Outside Mirrors

Check the mirrors' angles before driving.

### **WARNING**

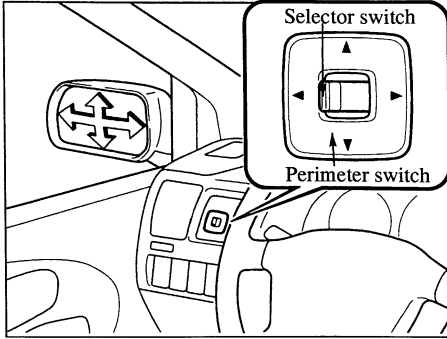
#### ***Convex Mirror (Passenger Side Type):***

***Changing lanes without taking into account the actual distance of the vehicle in the convex mirror is dangerous. You could have a serious accident. What you see in the convex mirror is closer than it appears. Be sure to look over your shoulder or to check your inside mirror before changing lanes.***



### ▼ Manual control mirror

Adjust by hand.



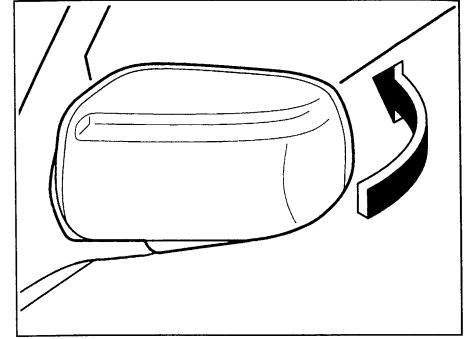
After adjusting the mirror, lock the control by moving the switch to the middle position.

### ▼ Power control mirror

The ignition switch must be in the ACC or ON position.

To adjust:

1. Move the selector switch to the left or right to choose the mirror.
2. Depress the perimeter switch in the appropriate direction.



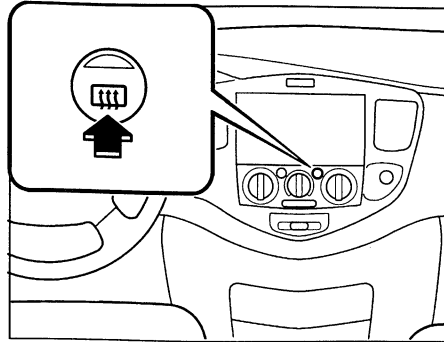
### ▼ Folding the mirror

Fold the outside mirror rearward until it is flush with the vehicle.



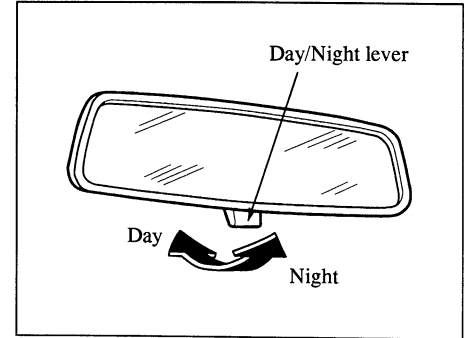
**⚠ WARNING**

*Driving with Mirrors Folded In: Driving with the outside mirrors folded in is dangerous. Your rear view will be restricted, and you could have an accident. Always return the outside mirrors to the driving position before you start driving.*



▼ **Mirror defroster\***

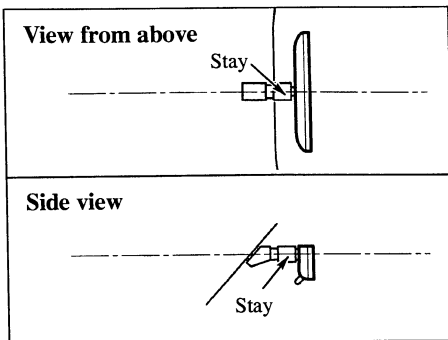
To turn on the mirror defroster, turn the ignition on and push the rear window defroster switch (page 5-38).



■ **Rearview Mirror (With Day/Night Function)**

Before driving, adjust the rearview mirror to center on the scene through the rear window. Do this with the day/night lever in the day position.

Push the lever forward for day driving. Pull it back to reduce glare from headlights.



**⚠ WARNING**

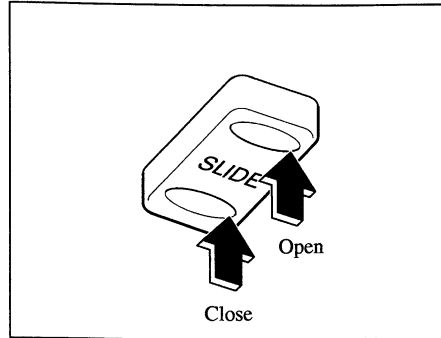
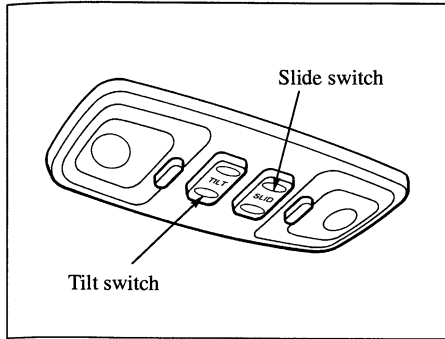
***Blocked View:***

***Cargo stacked higher than the seatbacks is dangerous. It can block your view in the rearview mirror, which might cause you to hit another car when changing lanes. Don't stack things higher than the seatbacks.***

**NOTE**

If your forward view is obstructed by the mirror or the sunvisor hits the mirror, adjust the mirror stay to the center-horizontal position.

## Sunroof\*



### NOTE

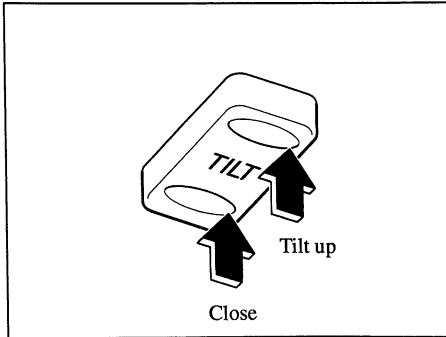
For safety reasons, the sunroof stops moving approximately 20 cm (8 inches) prior to completely closing. After you are sure it is unobstructed, resume closing the sunroof by pressing the switch again.

### ■ Sunroof Operation

The sunroof can be opened or closed electrically only when the ignition switch is in the ON position.

To open to any position, press the rear of the slide switch located on the right side of the overhead console.

To close, press the front of the slide switch.



The rear of the sunroof can be tilted open to provide more ventilation.

To tilt, push the rear of the tilt switch located on the left side of the overhead console.

To close, push the front of the tilt switch.

**⚠ WARNING**

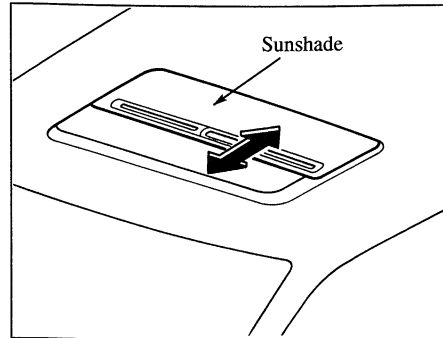
**Extending the Head or Arms Through the Sunroof:**  
*Extending the head, arms, or other parts of the body through the sunroof is dangerous. The head or arms could hit something while the vehicle is moving. This could cause death or serious injury. Don't let passengers stand up or extend anything through the open sunroof while the vehicle is moving.*

**⚠ WARNING**

**Closing the Sunroof:**  
*A closing sunroof is dangerous. The hands, head, or even neck of a person - especially a child - could be caught in it as it closes, causing serious injury or even death. Make sure the opening is clear before closing the sunroof.*

**NOTE**

After washing your Mazda or after a rain, wipe the water off the sunroof before operating it.



**⚠ CAUTION**

The sunshade doesn't tilt. To avoid damaging the sunshade, don't push up on it.

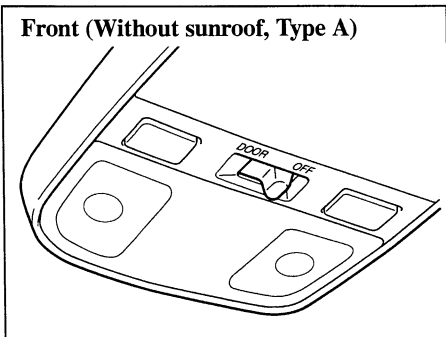
■ **Sunshade**

The sunshade can be opened and closed by hand when the sunroof is closed.

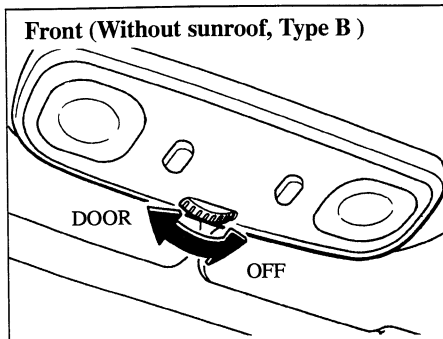
The sunshade opens automatically when the sunroof is opened, but must be closed by hand.

## Interior Lights

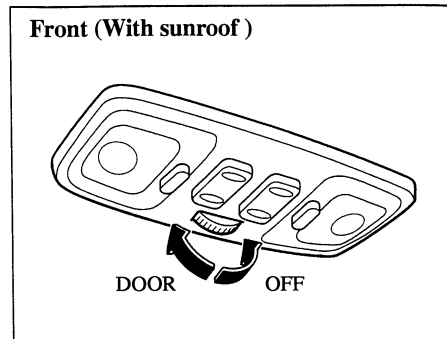
Front (Without sunroof, Type A)



Front (Without sunroof, Type B)

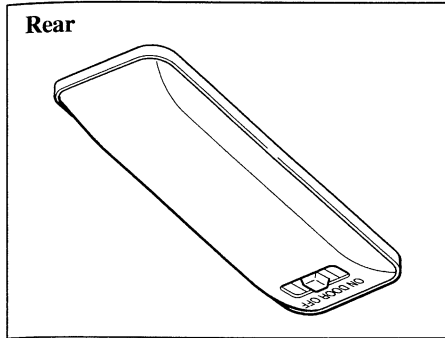


Front (With sunroof)



OFF — Light off.

DOOR — Light on when any door or liftgate is open.



- OFF — Light off.  
 DOOR — Light on when any door or liftgate is open.  
 ON — Light on.

**NOTE**

**(With Illuminated Entry System)**

When the switch is in the DOOR position, the interior light comes on for:

- about 30 seconds after the driver's door is unlocked and the ignition key is removed.
- about 15 seconds after the key is removed from the ignition.

The light also goes out when:

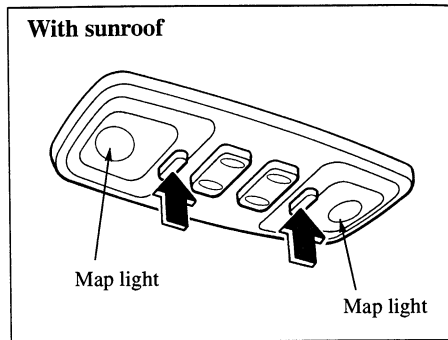
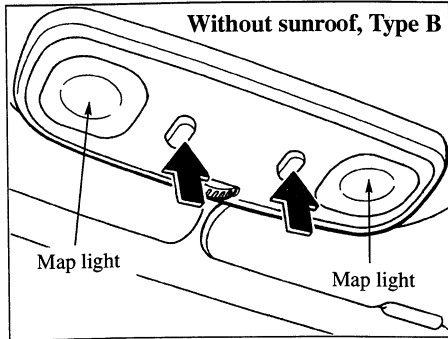
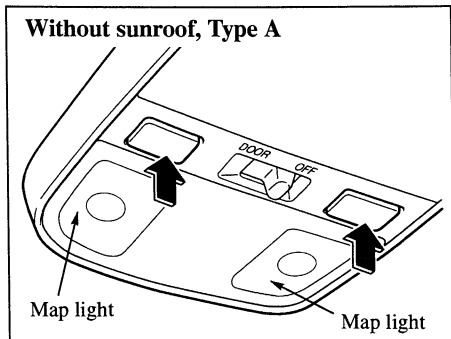
- the ignition switch is turned to the ON position.
- the driver's door is locked.

When the interior light comes on by opening a door or the liftgate, it goes out about 15 seconds after they are closed.

(Continued)

Even if the door is not closed, the light goes out after about 5 minutes.

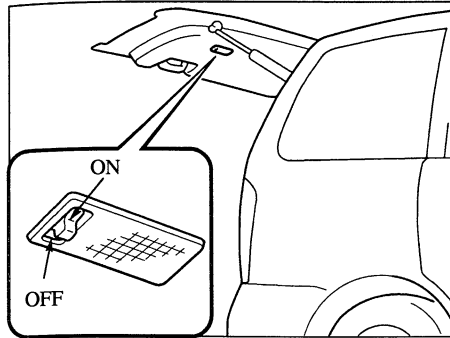
## Map Lights



The map lights are switched on or off by pressing the switches.



## Liftgate Light



- OFF — Light off.  
 ON — Light on when any door or liftgate is open.

### NOTE

#### (With Illuminated Entry System)

When the switch is in the DOOR position, the interior light comes on for:

- about 30 seconds after the driver's door is unlocked and the ignition key is removed.
- about 15 seconds after the key is removed from the ignition.

The light also goes out when:

- the ignition switch is turned to the ON position.
- the driver's door is locked.

When the interior light comes on by opening a door or the liftgate, it goes out about 15 seconds after they are closed.

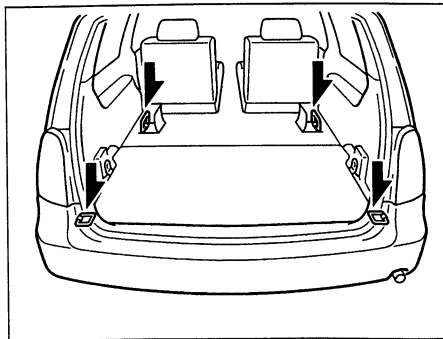
(Continued)

Even if the door is not closed, the light goes out after about 5 minutes.

## Cargo Securing Loops

### **WARNING**

***Not Securing Cargo:***  
***Not securing cargo while driving is dangerous. The cargo could move or be crushed in sudden braking or a collision and cause injury. Make sure the luggage is secured before driving.***



Use the loops in the luggage compartment to secure cargo with a rope or net. After removal of the third-row seat, four loops are available for use. The tensile strength of the loops is 196 N (20 kgf, 44.1 lbf). Do not apply excessive force to the loops as it will damage them.

# 4

## Protecting Your Mazda

*Most people like to save money. With an automobile vehicle, that can be done in several ways from its first day of operation. Probably tops on the list of cost-efficiency is using the right kind of fuel and using that fuel conservatively.*

*Section 4 explains how to do this. Further, it discusses proper loading and how to respond to unusual driving conditions. It also illustrates where important vehicle information labels may be found.*

Fuel Requirements	4- 2
Emission Control System	4- 3
Engine Exhaust	4- 4
Before Driving	4- 6
Break-In Period	4- 6
Money-Saving Suggestions	4- 7
Special Driving Conditions	4- 8
Vehicle Information Labels	4-24

### Fuel Requirements

Vehicles with catalytic converters must use **ONLY UNLEADED FUEL**, which will reduce exhaust emissions and keep spark plug fouling to a minimum.

Your Mazda will perform best with regular unleaded fuel having an octane rating (antiknock index) of at least 87 [(R+M)/2 method].

Fuel with a lower rating could cause the emission control system to lose effectiveness. It could also cause engine knocking and serious engine damage.

U.S. federal law requires that octane ratings be posted on gasoline station pumps.

#### **CAUTION**

##### **NEVER USE LEADED FUEL**

It is harmful to the catalytic converter. The lead will accumulate on the oxygen sensor and the catalyst inside the converter.

This will result in a malfunction of the emission control system, causing poor performance.

Gasoline blended with oxygenates such as alcohol or ether compounds are generally referred to as oxygenated fuels. The common gasoline blend that can be used with your vehicle is ethanol blended at no more than 10%.

Gasoline containing alcohol, such as ethanol or methanol, may be marketed under the name “Gasohol”.

#### **CAUTION**

Your vehicle can only use oxygenated fuels containing no more than 10% ethanol by volume. Damage to your vehicle may occur when ethanol exceeds this recommendation, or if the gasoline contains any methanol. Stop using gasohol of any kind if your vehicle engine is performing poorly.

## Emission Control System

### CAUTION

Never add fuel system additives. Never add cleaning agents other than those specified by Mazda. Other cleaning agents and additives may damage the system. Consult an Authorized Mazda Dealer.

Vehicle damage and drivability problems resulting from the use of the following may not be covered by the Mazda warranty.

- 1) Gasohol containing more than 10% ethanol
- 2) Gasoline or gasohol containing methanol
- 3) Leaded fuel or leaded gasohol

Your vehicle is equipped with an emission control system (the catalytic converter is part of this system) that enables your vehicle to comply with U.S. exhaust emissions requirements.

Under U.S. federal law, any modification to the original-equipment emission control system before the first sale and registration of a vehicle is subject to penalties. In some states, such modification made on a used vehicle is also subject to penalties.

### WARNING

#### ***Parking Over Things That Burn:***

***Parking over or near anything inflammable, such as dry grass, is dangerous. Even with the engine turned off, the exhaust system could ignite it because the exhaust system gets very hot during normal use. A resulting fire could cause serious injury or death. Never park over or near anything inflammable.***

### CAUTION

Ignoring the following precautions could cause lead to accumulate on the catalyst inside the converter or cause the converter to get very hot. Either condition will damage the converter and cause poor performance.

- USE ONLY UNLEADED FUEL.
- Don't drive your Mazda with any sign of engine malfunction.
- Don't coast with the ignition switch turned off.
- Don't descend steep grades in gear with the ignition switch turned off.
- Don't operate the engine at high idle for more than 5 minutes.

(Continued)

### Engine Exhaust (Carbon Monoxide)

- Don't tamper with the emission control system. All inspections and adjustments must be made by a qualified technician.
- Don't try to push-start or pull-start your vehicle.

#### **WARNING**

##### Carbon Monoxide:

*Engine exhaust is dangerous. This gas contains carbon monoxide (CO), which is colorless, odorless, and poisonous. When inhaled, it can cause loss of consciousness and death. If you smell exhaust gas inside your vehicle, keep all windows fully open and contact an Authorized Mazda Dealer immediately.*

#### **WARNING**

##### Exhaust Gas in Enclosed Area:

*Running the engine inside an enclosed area, such as a garage, is dangerous. Exhaust gas, which contains poisonous carbon monoxide, could easily enter the cabin. Loss of consciousness or even death could occur. Don't run the engine when inside an enclosed area.*

 **WARNING**

***Idling with the Windows Closed:***  
*Exhaust gas is dangerous. When your vehicle is stopped with the windows closed and the engine running for a long time in an open area, exhaust gas, which contains poisonous carbon monoxide, could enter the cabin. Loss of consciousness or even death could occur. Open the windows or adjust the heating or cooling system to draw fresh air.*

 **WARNING**

***Snow Blocking the Exhaust Gas:***  
*Running the engine when a vehicle is stopped in deep snow is dangerous. The exhaust pipe could be blocked by the snow, allowing exhaust gas to enter the cabin. Because exhaust gas contains poisonous carbon monoxide, anyone in the cabin could be injured or killed. Clear the snow from underneath and around your vehicle before starting the engine.*

### Before Driving

#### ■ Before Getting In

- Be sure the windows, outside mirror(s), and outside lights are clean.
- Inspect inflation pressures and condition of tires.
- Look under the vehicle for any sign of a leak.
- If you plan to back up, make sure nothing will be in your way.

#### NOTE

Engine oil, engine coolant, brake fluid, washer fluid, and other fluid levels should be inspected daily, weekly, or at refueling, depending on the fluid. See Maintenance, Section 8.

#### ■ After Getting In

- Are all doors closed and locked?
- Are the inside and outside mirrors adjusted?
- Is everyone's seat belt fastened?
- Do all the lights work?
- Check all gauges.
- Check all warning lights when the ignition switch is turned to the ON position.
- Release the parking brake and make sure the brake warning light goes off.

Always be thoroughly familiar with your Mazda.

### Break-In Period

No special break-in is necessary, but a few precautions in the first 1,000 km (600 miles) may add to the performance, economy, and life of your Mazda.

- Don't race the engine.
- Don't maintain one constant speed for long periods.
- Avoid unnecessary hard stops.
- Avoid full-throttle starts.
- Don't tow a trailer during the vehicle's first 1,000 km (600 miles) (page 4-11).



## Money-Saving Suggestions

How you operate your Mazda determines how far it will travel on a tank of fuel. Use these suggestions to help save money on fuel and repairs.

- Avoid long warm-ups. Once the engine runs smoothly, begin driving.
- Avoid fast starts.
- Keep the engine tuned. Follow the maintenance schedule (page 8-3) and have an Authorized Mazda Dealer perform inspections and servicing.
- Use the air conditioner only when necessary.
- Slow down on rough roads.
- Keep the tires properly inflated.
- Don't carry unnecessary weight.
- Don't rest your foot on the brake pedal while driving.
- Keep the wheels in correct alignment.
- Keep windows closed at high speeds.
- Slow down when driving in crosswinds and headwinds.

### **WARNING**

#### ***Coasting:***

***Turning off the engine to coast down a hill is dangerous. This causes the loss of power steering and power brake control. Any loss of steering or braking control could cause an accident. Never turn off the engine and coast down a hill.***

### Special Driving Conditions

#### ■ Hazardous Driving

When driving on ice or in water, snow, mud, sand, or similar hazard:

- Be cautious and allow extra distance for braking.
- Avoid sudden braking and quick steering.
- Brake with the pedal by using a light up-down motion. Don't hold the pedal down constantly.
- If you get stuck, shift to 1 or 2 and accelerate slowly. Don't spin the front wheels.
- For more traction in starting, use sand, rock salt, chains, carpeting, or other nonslip material under the front wheels.

#### **WARNING**

***Downshifting on Slippery Surfaces:***  
***Downshifting into lower gear while driving on slippery surfaces is dangerous. The sudden change in tire speed could cause the tires to skid. This could lead to loss of vehicle control and an accident. If it is necessary to downshift on slippery surfaces, be very careful.***

#### ■ Rocking the Vehicle

If you must rock the vehicle to free it from snow, sand, or mud, depress the accelerator slightly and slowly move the shift lever back and forth from D to R.

 **WARNING**

***Spinning the Wheels:***

***When the vehicle is stuck, spinning the wheels at high speed is dangerous. The spinning tire could overheat and explode. This could cause serious injuries. Don't spin the wheels at more than 56 km/h (35 mph), and don't allow anyone to stand behind a wheel when pushing the vehicle.***

 **CAUTION**

Too much rocking may cause engine overheating, transaxle failure, and tire damage.

■ **Winter Driving**

- Carry emergency gear, including tire chains, window scraper, flares, a small shovel, jumper cables, and a small bag of sand or salt.
- Ask a Mazda Dealer to perform the following precautions.
- Have the proper ratio of antifreeze in the radiator.
- Inspect the battery and its cables. Cold reduces battery capacity.
- Use only cold-weather engine oil (page 8-11).
- Inspect the ignition system for damage and loose connections.
- Use washer fluid made with antifreeze—but don't use engine coolant antifreeze for washer fluid (page 8-21).

- Don't use the parking brake if it might freeze. Instead, shift to P. Block the rear wheels.

▼ **Snow tires**

Your vehicle is originally equipped with all season radials designed to be used all year around. In some extreme climates you may find it necessary to replace them with snow tires during the winter months to further improve traction on snow and ice covered roads.

**Use snow tires on all four wheels.**

Don't go faster than 120 km/h (75 mph). Inflate snow tires 28 kPa (0.3 kgf/cm<sup>2</sup>, 4psi) more than recommended on the tire pressure label (driver's door), but never more than the maximum cold-tire pressure shown on the tires.

### **WARNING**

#### **Mixing Tire Types:**

*Using tires different in size or type is dangerous. Your vehicle's handling could be greatly affected and result in an accident. Use only the same size and type tires (snow, radial, or non-radial) on all four wheels.*

### **NOTE**

Check local regulations before using studded tires.

### ▼ **Tire chains**

Check local regulations before using tire chains.

Install the chains on the front tires. Don't use chains on the rear tires. Use only SAE Class "S" chains, and make sure they fit.

To install the chains:

1. Remove the wheel covers, or the chain bands will scratch them.
2. Secure the chains on the front tires as tightly as possible. Always follow the chain manufacturer's instructions.
3. Retighten the chains after driving 1/2-1 km (1/4-1/2 mile).

### **CAUTION**

- Chains may scratch or chip aluminum wheels. Install tire chains on steel wheels only.
- Chains may affect handling.
- Don't go faster than 50 km/h (30 mph) or the chain manufacturer's recommended limit, whichever is lower.
- Drive carefully and avoid bumps, holes, and sharp turns.
- Avoid locked-wheel braking.
- Don't use chains on the temporary tire; it may result in damage to the vehicle and to the tire.
- Don't use chains on roads that are free of snow or ice. The tires and chains could be damaged.

■ Driving in Flooded Areas

 **CAUTION**

Make sure water does not enter the vehicle interior or the engine area. The vehicle interior could become wet or the engine could be damaged.

 **WARNING**

***Driving with Wet Brakes:***  
*Driving with wet brakes is dangerous. Increased stopping distance or the vehicle pulling to one side when braking could result in a serious accident. Light braking will indicate whether the brakes have been affected. Dry the brakes by driving very slowly and applying the brakes lightly until brake performance returns to normal.*

■ Trailer Towing

Your Mazda was designed and built primarily to carry passengers and cargo.

If you must tow a trailer, follow these instructions because driver and passenger safety depends on proper equipment and safe driving habits. Towing a trailer will affect handling, braking, durability, performance, and economy.

Never overload vehicle or trailer. Consult an Authorized Mazda Dealer if you need further details.

▼ Break-in

 **CAUTION**

Don't tow a trailer during the first 1000 km (600 miles) of your new Mazda. If you do, you may damage the engine, transaxle, differential, wheel bearings, and other power train components.

### ▼ Weight limits

#### TTW and GCWR

The total trailer weight (TTW), gross combined weight rating (GCWR), gross axle weight rating (GAWR), trailer load, and trailer tongue load must be within the prescribed limits.

- The total trailer weight (TTW) is the sum of the weights of the trailer load (trailer weight plus cargo), trailer hitch, vehicle passengers, and vehicle load. Never allow the total trailer weight (TTW) to exceed specifications in the Trailer Towing-Load Table (page 4-13).

- The maximum GCWR is the combined weight of the trailer and load plus the towing vehicle (including trailer hitch, vehicle passengers, and load). It must not exceed specifications in the load table.

#### GAWR and GVWR

Don't exceed front and rear GAWR (gross axle weight rating) and GVWR (gross vehicle weight rating). If you do, vehicle handling, braking, and performance will be affected.



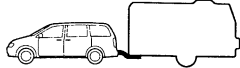
These values are also on your Mazda's Motor Vehicle Safety Certification label posted on the driver's door pillar.

#### High-altitude operation

In a high-altitude operating environment, a gasoline engine loses power at a rate of 3% to 4% per 304 m (1,000 ft) of elevation. In these conditions, a reduction in gross vehicle weight and gross combined weight is recommended.

**TRAILER TOWING-LOAD TABLE**

Because vehicle weights vary, adjustments must be made to meet the requirements in this table.

		kg (lb)	
Item	Model	With 4-Seasons Package      Without 4-Seasons Package	
<b>MAX. FRONTAL AREA</b>		2.97 m <sup>2</sup> (32 ft <sup>2</sup> )	
<b>MAX.TTW</b>	Add:Trailer's weight, load and hitch; vehicle passengers and vehicle load* * i.e. baggage, food, camp gear 	1,361 (3,000)	907 (2,000)
<b>MAX.GCWR</b>		3,167 (6,982)	2,713 (5,981)

The optional 4-Seasons Package : Including among others, automatic transaxle oil cooler and large radiator.

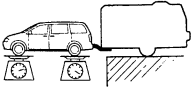
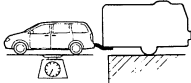
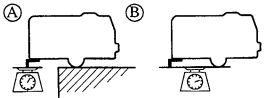
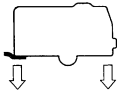
Vehicles with the 4-Seasons Package can tow a heavier trailer and carry more cargo weight than standard-equipped vehicles.

GCWR : Gross Combined Weight Rating (sum of TTW, vehicle weights and 2 passengers)

# Protecting Your Mazda

## TRAILER TOWING-LOAD TABLE (cont'd)

kg (lb)

Item		Model	With 4-Seasons Package	Without 4-Seasons Package
MAX.GAWR		Front	1,098 (2,421)	
		Rear	1,155 (2,546)	
MAX. GVWR			2,232 (4,920)	
TRAILER-TONGUE LOAD			$\frac{\text{Ⓐ Tongue load}}{\text{Ⓑ Trailer load}} \times 100 = 10\% \text{ to } 15\%$	
DISTRIBUTION OF TRAILER LOAD		Front	60%	
		Rear	40%	

GAWR : Gross Axle Weight Rating  
 GVWR : Gross Vehicle Weight Rating



 **WARNING**

Tow Loads:

*Attempting to tow loads greater than those specified is dangerous as it may cause serious handling and performance problems that could result in personal injury or vehicle damage, or both. Always keep tow loads within specified limits in the Trailer Towing-Load Table.*

 **WARNING**

Trailer Loading:

*Loading the trailer with more weight in the rear than in the front is dangerous. Doing so could cause you to lose control.*

*The trailer tongue load must be 10%-15% of the total trailer load (sum of the weights of the trailer and cargo). Try to load the trailer with the weight about 60% toward the front and 40% toward the rear.*

 **WARNING**

Determining Total Trailer Weight and Tongue Load:

*Attempting to tow loads without determining the total trailer weight and tongue load is dangerous. Trailer sway from crosswinds, rough roads or other causes could result in loss of control and a serious accident. Always have the total trailer weight and tongue load determined prior to departure.*

**NOTE**

The total trailer weight and tongue load can be determined by weighing the trailer on platform scales at a highway weight station or a trucking company.

### ▼ Trailer hitch

Use only a hitch ball recommended by the trailer manufacturer that conforms to the gross trailer weight requirement.

When not towing a trailer, remove the trailer hitch (if detachable) to reduce the possibility of damage as a result of the vehicle being rear-ended.

When the trailer load is more than 907 kg (2,000 lb), use a frame-mounted weight-distributing hitch.

### **WARNING**

#### **Unsecured Hitch:**

***An unsecured trailer hitch is dangerous as it causes greater trailer sway from crosswinds, rough roads or other causes, resulting in loss of control and a serious accident.***

***Examine all trailer-hitch mounting bolts regularly and tighten any that are loose. If the hitch is removed, seal any open mounting holes to prevent exhaust, dust, water, dirt and other foreign elements from filtering in, possibly endangering personal safety and damaging your vehicle.***

***Don't install a hitch that stiffens the bumper as it will reduce the bumper's performance. Always make sure the hitch is securely attached before departure.***

### **WARNING**

#### **Exhaust System Modifications:**

***Modifying your vehicle exhaust system is dangerous. Exhaust gas entering the vehicle could kill you.***

***When mounting the trailer hitch, make no modifications to the vehicle exhaust system. Make sure there are no exhaust gas leaks into the passenger compartment if any mounting bolts are connected to the body.***

 **CAUTION**

- Make all hitch adjustments with actual loads. Don't load and unload vehicle while adjusting hitch. This action will change the vehicle height.
- Don't use an axle-mounted hitch. This may damage the axle and related parts.

▼ **Tires**

When towing a trailer, make sure all tires are inflated to the recommended cold-tire pressure, as indicated on the tire pressure chart on the driver's door. Trailer tire size, load rating, and inflation pressures should conform to tire manufacturer specifications.

 **WARNING**

***Using a Temporary Spare when Towing:***

***Using a temporary spare tire on your vehicle when towing a trailer is dangerous as it could result in tire failure, loss of control, and injury to vehicle occupants. Never use a temporary spare when towing.***

▼ **Safety chains**

Safety chains must be used as a precautionary measure should the trailer become unintentionally unhitched. They should cross under the trailer tongue and attach to the hitch. Leave enough slack to allow full turns. Consult literature published by your trailer or hitch manufacturer for more details.

### **WARNING**

**Towing Without Safety Chain:**  
*Towing a trailer without using a safety chain securely attached to both the trailer and the vehicle is dangerous. If damage occurs to the coupling unit or hitch ball, the trailer could wander into another lane and cause a collision. Make sure the safety chain is securely attached to both the trailer and the vehicle prior to departure.*

### ▼ **Trailer lights**

Trailer lights must comply with all federal, state, and local regulations. Equip your trailer as required before towing it day or night.

### **CAUTION**

Don't connect a trailer lighting system directly to the lighting system of your Mazda. This may damage your vehicle's electrical system and lighting systems. Have a recreational vehicle dealer or trailer rental agency connect the system, and inspect the brake lights and turn signals each time before driving.

### ▼ **Trailer brakes**

If the total trailer weight exceeds 450 kg (1,000 lb), trailer brakes are required.

If your trailer has brakes, make sure they comply with all federal, state, and local regulations.

### **WARNING**

**Hydraulic Trailer-Brake System:**  
*Connecting a hydraulic trailer-brake system directly to the vehicle brake system is dangerous and will result in inadequate braking and possible injury. Don't connect a hydraulic trailer-brake system to your vehicle's brake system.*

### ▼ Pre-towing tips

- Verify that your Mazda maintains a near-normal attitude when a loaded or unloaded trailer is connected. Don't drive if it has an abnormal front-up or front-down position. Inspect for incorrect tongue load, worn suspension parts, and trailer overloading.
- Make sure the trailer is properly loaded and the cargo is secure to prevent it from shifting.
- Make sure the mirrors conform to all government regulations. If they do not, install required rear view mirrors appropriate for towing purposes.

### ▼ Trailer-towing tips

The three main causes of vehicle-trailer accidents are driver error, excessive speed, and improper trailer loading.

#### **Before driving**

- Have your cooling and braking system checked by an Authorized Mazda Dealer.
- Before starting out, inspect the operation of all vehicle and trailer lights and all vehicle-to-trailer connections. Stop and reinspect all lights and connections after driving a short distance.

### **Driving**

- Your Mazda will handle differently with a trailer in tow, so practice turning, backing, and stopping in a traffic-free area.
- Take time to get accustomed to the extra weight and length.
- Allow more room between your vehicle and the one in front because braking distance increases with a trailer. For each 16 km/h (10 mph) of speed, allow at least one vehicle and trailer length between your Mazda and the vehicle ahead.
- Avoid jerky starts or sudden acceleration.
- Avoid sudden braking. It may cause loss of control and result in jackknifing, especially so on wet or slippery roads.

- Use the following positions when towing a trailer in hilly terrain or when heavily loaded.
  - OD (overdrive) off
  - Selector in D

These positions will allow operating the vehicle without frequent down- and upshifting.

### **Lane changes and turning**

Avoid quick lane changes, sudden turns, and tight turns. Slow down before turning to avoid the need of sudden braking.

A turning trailer will make a tighter arc than the tow vehicle. Compensate with turns that are larger than normal.

### **Passing**

Plan well ahead to pass other vehicles, and provide plenty of room before changing lanes.

Crosswinds from passing vehicles, especially larger ones, and the effects of rough roads will affect handling.

If swaying occurs, firmly grip the steering wheel and reduce speed immediately, but gradually.

Steer straight ahead. If no extreme correction of steering or braking is made, the combination of less speed and firm steering will result in stability.

### Backing up

Backing a vehicle with a trailer requires practice and patience. Back slowly, and have a helper outside at the rear of the trailer to reduce the risk of an accident.

To turn the trailer, place your hand at the bottom of the steering wheel and turn it in the direction you want the trailer to go. Make only slight movements to prevent sharp or prolonged turning.

### Ascending a hill

Shift into a lower gear to reduce the possibility of overloading or overheating the engine, or both.

### Descending a hill

Shift into a lower gear and use engine compression as a braking effect.

### Overheated engine

The extra weight of the trailer may strain the engine on hot days and on long or steep upgrades.

If the temperature gauge indicates overheating, turn off the air conditioner, drive safely to the side of the road, park off the right-of-way and wait for engine to cool. Refer to Overheating (page 6-2).

## **WARNING**

### ***Over Use of the Brake Pedal:***

***Holding the brake pedal down too long or too frequently is dangerous as it could cause the brakes to overheat and lose power, resulting in loss of control and a serious accident. Use lower gears (1st and 2nd) to help reduce speed. Pull off the road and allow brakes to cool down whenever braking performance feels reduced. Always use lower gears to reduce speed.***

### Parking

- Always make sure the tires of the trailer and the tow vehicle are blocked while parked.
- Apply the parking brake firmly and put the transaxle in P.

**Avoid parking on an incline**, but if you must, follow these instructions:

1. Depress and hold down the brake pedal.
2. Have a helper put wheel blocks against the downhill side of all vehicle and trailer tires.
3. Then release the brake pedal slowly until the blocks bear the load.
  - If the grade is downhill, turn the steering wheel so that the front of the front tires face the curb.
  - If it is uphill, face the rear of the front tires against the curb.
4. Firmly apply the parking brake.
5. Shift the transaxle into P, and stop the engine.

**To restart after parking on an incline:**

1. With the transaxle in P, start the engine. (Be sure to depress and hold the brake pedal.)
2. Shift into gear.
3. Release the parking brake (also the foot brake) and pull away from the wheel blocks. Stop; apply the parking brake and shift into P.
4. Have a helper retrieve the wheel blocks.



▼ Fuel consumption

Trailer towing causes higher fuel consumption.

▼ Maintenance

If you tow a trailer frequently, have your vehicle serviced as shown in Scheduled Maintenance (Schedule 2, page 8-6).

■ Overloading

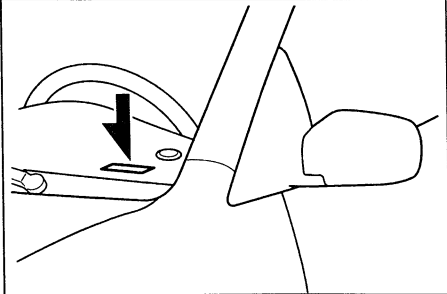
 **WARNING**

***Vehicle Load Weight:***

***The gross axle weight rating (GAWR) and the gross vehicle weight rating (GVWR) of your vehicle are on the Motor Vehicle Safety Standard Label on the driver's door frame. Exceeding these ratings can cause an accident or vehicle damage. You can estimate the weight of your load by weighing the items (or people) before putting them in the vehicle. Be careful not to overload your vehicle.***

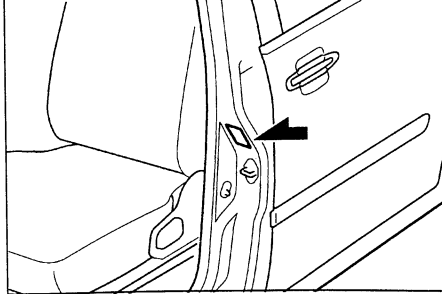
## Vehicle Information Labels

**Vehicle Identification Number**

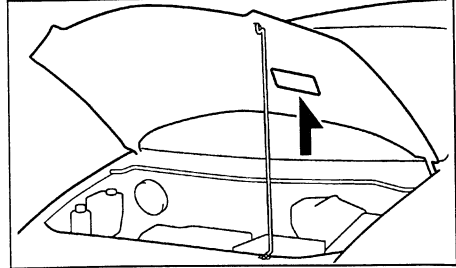


The vehicle identification number legally identifies your vehicle. The number is on a plate attached to the left top side of the dashboard. This plate can easily be seen through the windshield.

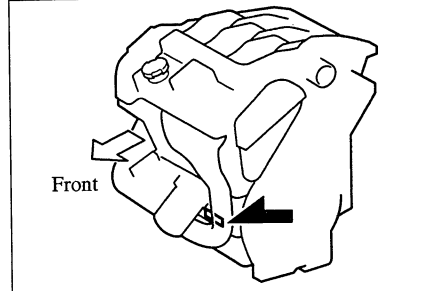
**Motor Vehicle Safety Standard Label**



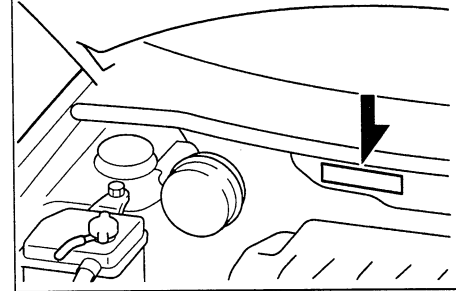
**Vehicle Emission Control Information Label**

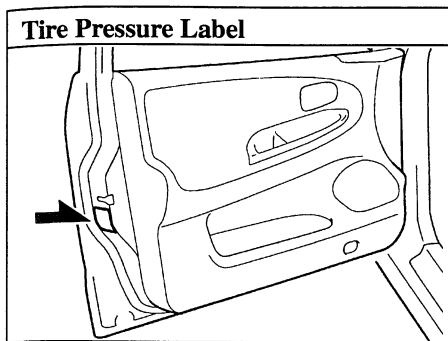


**Engine Number**



**Chassis Number**







# 5

## Driving Your Mazda

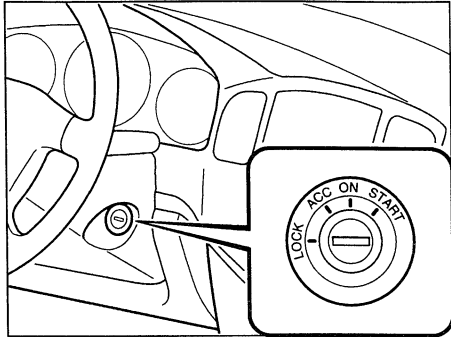
*Operating your vehicle requires a good understanding of the many controls you must know and use. Section 5 describes all this in step-by-step information from use of the ignition switch to cruise control and braking.*

*Also highlighted are the gearshift and shifting modes, power steering, instruments and gauges, warnings and indicators, windshield wipers, and interior features. You'll find complete details about the advanced audio system too.*

Ignition Switch Positions	5- 2
Starting the Engine	5- 4
Automatic Transaxle	5- 6
Brake System	5-11

Power Steering	5-15
Cruise Control	5-15
Instrument Cluster	5-21
Gauges	5-22
Dashboard Illumination	5-25
Warning Lights/Beeps	5-26
Lighting Control and Turn Signals	5-33
Windshield Wipers and Washer	5-36
Rear Window Wiper and Washer	5-38
Rear Window Defroster	5-38
Clock	5-40
Lighter	5-41
Accessory Socket	5-42
Ashtray	5-43
Storage Compartments	5-44
Cup Holders	5-46
Sunvisors	5-48
Vanity Mirrors	5-49
Climate Control System	5-50
Radio Reception	5-65
Safety Certification	5-67
AM/FM Radio with Compact Disc Player	5-69
AM/FM Radio with Compact Disc Changer (In-dash CD Changer)	5-70
AM/FM Radio with Cassette and Compact Disc Player	5-89
Antenna	5-112

## Ignition Switch Positions



### ■ ON

This is the normal running position after the engine is started. The warning lights (except brakes) should be inspected before the engine is started (page 5-26).

### ■ START

The engine is started in this position. It will crank until you release the key; then it returns to the ON position. The brake warning light can be checked after the engine is started (page 5-26).

### ■ ACC (Accessory)

The steering wheel unlocks and some electrical accessories will operate.

### ■ LOCK

The steering wheel locks to protect against theft. Only in this position can the key be removed.

When turning the ignition switch to the LOCK position, keep the shift lever in P.

### NOTE

If turning the key is difficult, jiggle the steering wheel from side to side.

 **WARNING**

**Removing the Key:**

*It's dangerous to remove the key from the ignition switch while the vehicle is moving. Removing the key allows the steering wheel to lock. You will lose steering control and a serious accident could occur. Remove the key only when the vehicle is parked.*

 **WARNING**

**Not Setting the Parking Brake:**

*Leaving the driver's seat without setting the parking brake is dangerous. Unexpected vehicle movement could occur if the parking brake is not set. This could cause an accident. Before leaving the driver's seat, always set the parking brake and make sure the shift lever is in P.*

**NOTE**

If the ignition switch is in the LOCK or ACC position, a beep will sound when any door or liftgate is opened.

### Starting the Engine

1. Occupants should fasten their seat belts.
2. Make sure the parking brake is on.
3. Depress the brake pedal.
4. Put the vehicle in park (P). If you must restart the engine while the vehicle is moving, shift into neutral (N).
5. Turn the ignition switch to the START position and hold (up to 10 seconds at a time) until the engine starts.

<b>NOTE</b>
The starter will not operate if the shift lever is <b>not</b> in P or N.

 <b>CAUTION</b>
Don't try the starter for more than 10 seconds at a time. If the engine stalls or fails to start, wait 10 seconds before trying again. Otherwise, you may damage the starter and drain the battery.



6. After starting the engine, let it idle for about 10 seconds.

**NOTE**

In extremely cold weather, below  $-18^{\circ}\text{C}$  ( $0^{\circ}\text{F}$ ), or after the vehicle has stood idle several days, let the engine warm up without operating the accelerator.

**NOTE**

Whether cold or warm, the engine should be started without use of the accelerator.

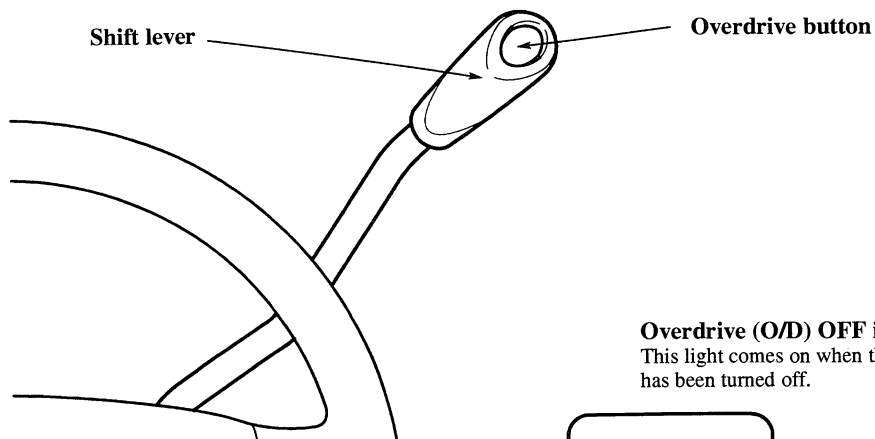
If the engine fails to start, it may be flooded (excessive fuel in the engine).

Follow this procedure:

1. Depress the accelerator all the way and hold it there.
2. Turn the ignition switch to the START position and hold it there—for up to 10 seconds. If the engine starts, release the key and accelerator immediately because the engine will suddenly rev up.
3. If the engine fails to start, crank it without using the accelerator—for up to 10 seconds.

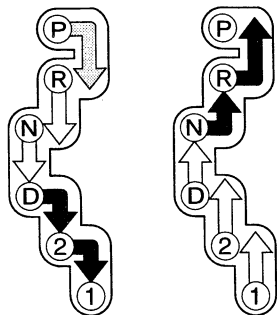
## Automatic Transaxle

### ■ Automatic Transaxle Controls



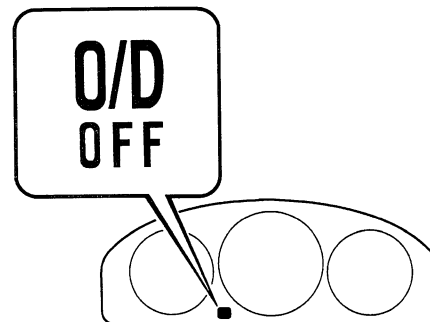
#### Overdrive (O/D) OFF indicator

This light comes on when the overdrive has been turned off.



#### Various Lockouts:

- ➡ Indicates that you must depress the brake pedal and, pull the shift lever toward you to shift (The ignition switch must be in the ON position.)
- ➡ The shift lever can be shifted freely into any position indicated by the ↑ arrow.
- ➡ Indicates that you must pull the lever toward you to shift.



■ **Transaxle Ranges**

The shift lever must be in P or N to operate the starter.

▼ **P (Park)**

P locks the transaxle and prevents the front wheels from rotating.

 **WARNING**

***Holding the Vehicle with P:***  
*Setting the shift lever to the P position without using the parking brake to hold the vehicle is dangerous. If P fails to hold, the vehicle could move and cause an accident. To hold the vehicle, set the shift lever to P AND set the parking brake.*

 **CAUTION**

- Shifting into P or R while the vehicle is moving can damage your transaxle.
- Shifting into a driving gear or reverse when the engine is running faster than idle can damage the transaxle.

▼ **R (Reverse)**

In position R, the vehicle moves only backward. You must be at a complete stop before shifting to or from R, except as explained under Rocking the Vehicle (page 4-8).

▼ **N (Neutral)**

In N, the wheels and transaxle are not locked. The vehicle will roll freely even on the slightest incline unless the parking brake or brakes are on.

 **WARNING**

***Shifting from N or P:***  
*It's dangerous to shift from N or P into a driving gear when the engine is running faster than idle. If this is done, the vehicle could move suddenly, causing an accident or serious injury. If the engine is running faster than idle, don't shift from N or P into a driving gear.*

▼ **D (Drive)**

D is the normal driving position. From a stop, the transaxle will automatically shift through a 4-gear sequence.

### ▼ 2 (Second)

The 2 position is helpful when driving in heavy, slow-moving traffic and climbing hills, for engine braking assistance when going down hills, or for starting on slick surfaces and other situations where gentle acceleration may be necessary. Do not exceed 100 km/h (62 mph) in the 2 position.

### ▼ 1 (Low)

Use the 1 position for maximum power in hard-pulling situations, or for climbing and descending very steep grades. Do not exceed 48 km/h (30 mph) in the 1 position.

#### NOTE

When shifting the automatic transaxle in extremely cold temperature, the shift pattern indicator will respond more slowly than under normal conditions.

### ■ Driving Tips

#### ▼ Passing

For extra power when passing another vehicle or climbing steep grades, depress the accelerator fully. The transaxle will shift to a lower gear, depending on vehicle speed.

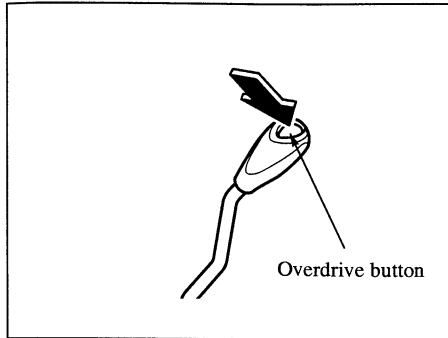
#### ▼ Climbing steep grades from a stop

To climb a steep grade from a stopped position:

1. Depress the brake pedal.
2. Shift to D or 1 depending on the load weight and grade steepness.
3. Release all brakes while gradually accelerating.

#### ▼ Descending steep grades

When descending a steep grade, shift to 2 or 1, depending on load weight and grade steepness. Descend slowly, using the brakes only occasionally to prevent them from overheating.



■ **Overdrive**

▼ **Overdrive operation**

In D, the transaxle automatically shifts to overdrive, which improves fuel economy and reduces noise.

To allow engine braking when going down a steep grade, make sure the overdrive button is in the off position.

And for a smoother ride with less shifting, don't use it when:

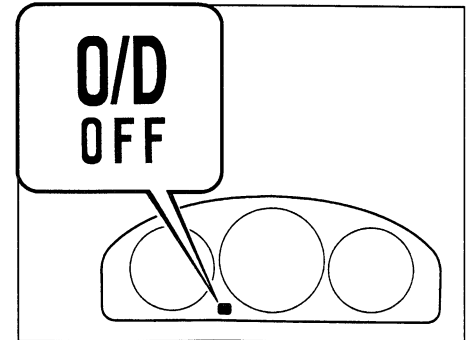
- Going up a steep grade.
- Driving in stop-and-go traffic.
- Pulling heavy loads.

**To turn off the overdrive, push the button.**

The transaxle will then shift through a three-gear sequence in D.

Shift patterns without overdrive:

- D = 1st, 2nd, 3rd
- 2 = 2nd
- 1 = 1st



▼ **Overdrive-off indicator**

This light comes on when the overdrive has been turned off.

**⚠ CAUTION**

If the overdrive-off indicator light flashes, the transaxle has an electrical problem. Continuing to drive your Mazda in this condition could cause damage to your transaxle. Consult an Authorized Mazda Dealer as soon as possible.

To turn it on, push the button again.

Shift patterns with overdrive:

D = 1st, 2nd, 3rd, 4th

2 = 2nd

1 = 1st

### ■ Shift-Lock System

For your safety, **the automatic transaxle has a shift-lock, which prevents shifting out of P unless the brake pedal is depressed.**

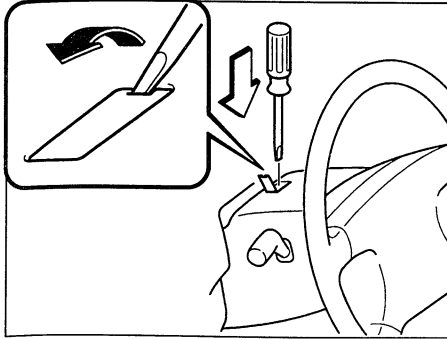
To shift from P:

1. Depress and hold the brake pedal.
2. Start the engine.
3. Move the shift lever.

#### NOTE

- When the ignition switch is in the ACC or LOCK position, the transaxle cannot be shifted from P.
- If the brake is pumped with the shift lever in P, a chattering noise near the shift lever may be heard. Don't worry, this is a normal sound.
- To be sure the vehicle is in park, **the ignition key cannot be removed unless the shift lever is in P.**

## Brake System



### ■ Shift-Lock Override

If the shift lever won't move from P with the brake pedal depressed, continue to hold down the pedal.

1. Remove the shift-lock override cover with a screwdriver.
2. Insert the screwdriver and push it down.
3. Move the shift lever.
4. Take the vehicle to an Authorized Mazda Dealer to have the system checked.

### ■ Foot Brake

Your Mazda has power-assisted brakes that adjust automatically through normal use.

Should power assist fail, you can stop by applying greater force than normal to the brake pedal. But the distance required to stop will be greater than usual.

## ⚠ WARNING

### Driving with the Engine Off:

*Continuing to drive when the engine is stalled or turned off is dangerous. Braking will require more effort, and the brake's power assist could be depleted if you pump the brake. This will cause longer stopping distances or even an accident. Don't continue driving when the engine is stalled or turned off, find a safe place to stop.*

## ⚠ WARNING

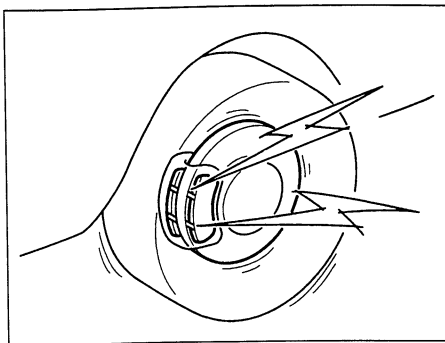
### Riding the Brakes:

*Driving with your foot continuously on the brake pedal or steadily applying the brakes for long distances is dangerous. This causes overheated brakes, resulting in longer stopping distances or even total brake failure. This could cause loss of vehicle control and a serious accident. Avoid continuous application of the brakes. Shift to a lower gear when going down steep hills.*

**⚠ WARNING**

***Driving with Wet Brakes:***

*Driving with wet brakes is dangerous. Increased stopping distance or the vehicle pulling to one side when braking could result in a serious accident. Light braking will indicate whether the brakes have been affected. Dry the brakes by driving very slowly and applying the brakes lightly until brake performance is normal.*



■ **Brake Pad Wear Indicator**

When the disc brake pads become worn, the built-in wear indicators contact the disc plates. This causes a screeching noise to warn that the pads should be replaced.

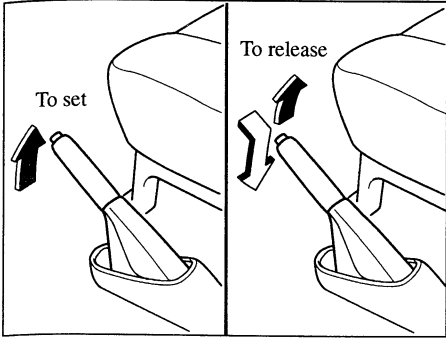
When you hear this noise, consult an Authorized Mazda Dealer as soon as possible.

**⚠ WARNING**

***Driving with Worn Disc Pads:***

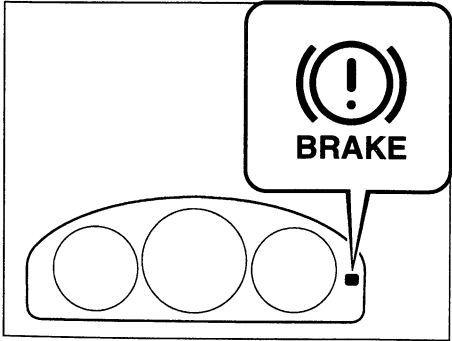
*Driving with worn disc pads is dangerous. The brakes could fail and cause a serious accident. As soon as you hear a screeching noise consult an Authorized Mazda Dealer.*





**⚠ CAUTION**

Driving with the parking brake on will cause excessive wear of the brake linings or pads.



■ Parking Brake

To set the parking brake, depress the brake pedal; then pull the brake handle fully upward.

To release it, pull the handle up and press the button. Depress the brake pedal; then lower the handle to the release position while holding in the button. Release the pedal when it's safe to do so.

■ Brake System Warning Light

The brake warning light comes on when you start the engine. It should be on when the engine is running and the parking brake is set.

If the brake warning light stays on after the parking brake is fully released, the brake system has a malfunction. Refer to Warning Lights/Beeps (page 5-26).

### ■ Antilock Brake System (ABS)\*

The ABS control unit continuously monitors the speed of each wheel. If one is about to lock up, the ABS responds by automatically releasing and reapplying that wheel's brake.

The driver will feel a slight vibration in the brake pedal and may hear a chattering noise from the brake system. This is normal when the ABS operates. Don't pump the brakes, continue to press down on the brake pedal.

#### NOTE

- If the ABS warning light stays on while you're driving, the ABS control unit has detected a system malfunction. If this occurs, your brakes will function normally as if the vehicle had no ABS. Should this happen, consult an Authorized Mazda Dealer as soon as possible.
- Braking distances may be longer on loose surfaces (snow or gravel, for example) which usually have a hard foundation. A vehicle with a normal braking system may require less distance to stop under these conditions because the tires will build up a wedge of surface layer when the wheels skid.

#### **WARNING**

##### **ABS:**

***The ABS cannot compensate for unsafe and reckless driving, excessive speed, tailgating (following another vehicle too closely), and hydroplaning (reduced tire friction and road contact because of water on the road surface). You can still have an accident. So don't rely on ABS as a substitute for safe driving.***

#### NOTE

When the engine is jump-started, an unevenness of rpm occurs and the ABS warning light comes on. This is due to a lack of battery capacity and doesn't indicate a malfunction.

Have the battery recharged as soon as possible.

## Power Steering

Power steering is only operable when the engine is running. If the engine is off or if the power steering system is inoperable, you can still steer, but it requires more physical effort.

If the steering feels rigid during normal driving, consult an Authorized Mazda Dealer.

### CAUTION

Never hold the steering wheel to the extreme left or right for more than five seconds with the engine running. This could damage the power steering system.

## Cruise Control\*

With cruise control, you can set and automatically maintain any speed of more than about 40 km/h (25 mph).

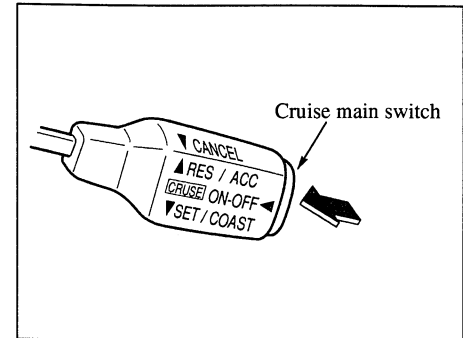
### WARNING

#### Cruise Control Use:

*Using cruise control in the following conditions could cause you to lose control of the vehicle:*

- *Heavy or unsteady traffic*
- *Slippery or winding roads*
- *Similar restrictions that require inconsistent speed*

*Don't use cruise control in these situations.*



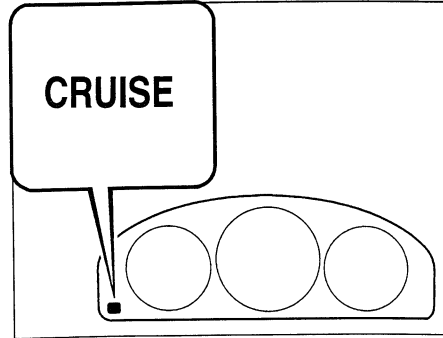
To activate the system, push the CRUISE MAIN switch.

To deactivate the system, push the switch again.

**⚠ WARNING**

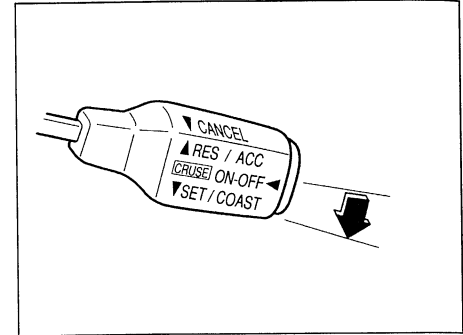
***Cruise Main Switch:***

*Leaving the CRUISE MAIN switch on when not using the cruise control is dangerous as it may be switched on accidentally. This could result in loss of vehicle control. Keep the CRUISE MAIN switch off when cruise control is not in use.*



■ **Cruise Set Indicator Light**

The cruise set indicator comes on when a cruising speed is set.



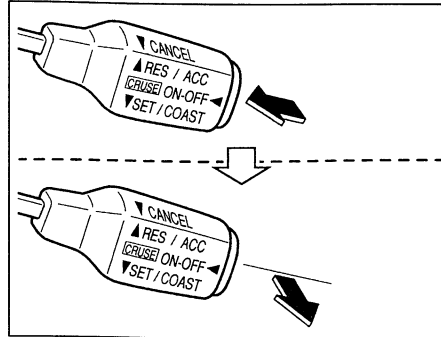
■ **To Set Speed**

1. Turn on the CRUISE MAIN switch.
2. Accelerate to the desired speed, which must be more than 40 km/h (25 mph).
3. Move the cruise control lever down to SET/COAST and release it at the speed you want. Release the accelerator at the same time.

Don't continue to hold the lever. Until you release it, speed will continue to drop (unless you continue to accelerate) and you'll miss the desired speed.

**NOTE**

- The SET function can't be activated until about 2 seconds after the cruise main switch has been engaged.
- On a steep grade, the vehicle may momentarily slow down going up or speed up while going down.



**NOTE**

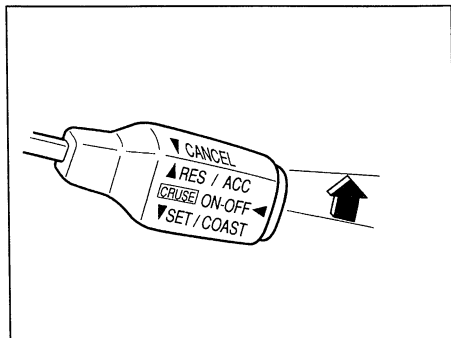
Cruise control will cancel at about 15 km/h (9 mph) below the preset speed or below 40 km/h (25 mph).

**■ To Cancel**

To turn off the system, use **one** of these methods:

- Push the CRUISE MAIN switch.
- Slightly depress the brake pedal.
- Pull the lever toward you.

The system is off when the ignition is off.



Your vehicle has a tap-up feature that allows you to increase your current speed in increments of 1.6 km/h (1 mph) by a momentary tap of the control lever. Multiple taps will increase your vehicle speed 1.6 km/h (1 mph) for each tap. For example, if you are currently set at 96 km/h (60 mph) and tap the control lever up 5 times, your vehicle speed will increase and set at 104 km/h (65 mph).

### ■ To Increase Cruising Speed

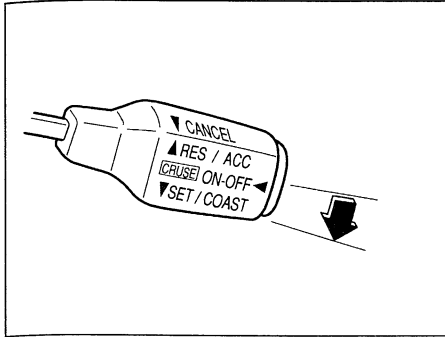
Follow either of these procedures.

- Move the control lever up to RES/ACC and hold it. Release the lever at the desired speed.
- Accelerate to the desired speed, then move the control lever down to SET/COAST and release it immediately.

### ■ Accelerating with Cruise Control On

Accelerate if you want to speed up temporarily when the cruise control is on. Greater speed will not interfere with it or change the set speed.

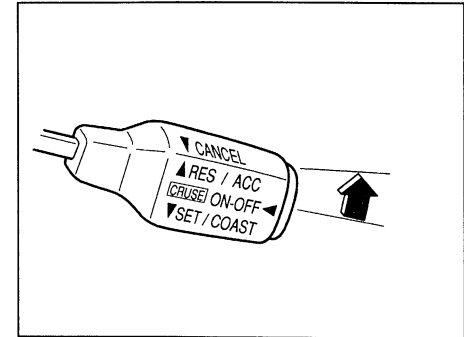
Take your foot off the accelerator to return to the set speed.



Your vehicle has a tap-down feature that allows you to decrease your current speed in increments of 1.6 km/h (1 mph) by a momentary tap of the control lever. Multiple taps will decrease your vehicle speed 1.6 km/h (1 mph) for each tap. For example, if you are currently set at 104 km/h (65 mph) and tap the control lever down 5 times, your vehicle speed will decrease and set at 96 km/h (60 mph).

**■ To Decrease Cruising Speed**

Move the control lever down to SET/COAST and hold it. Release the lever at the desired speed.



**■ To Resume Cruising Speed at More Than 40 km/h (25 mph)**

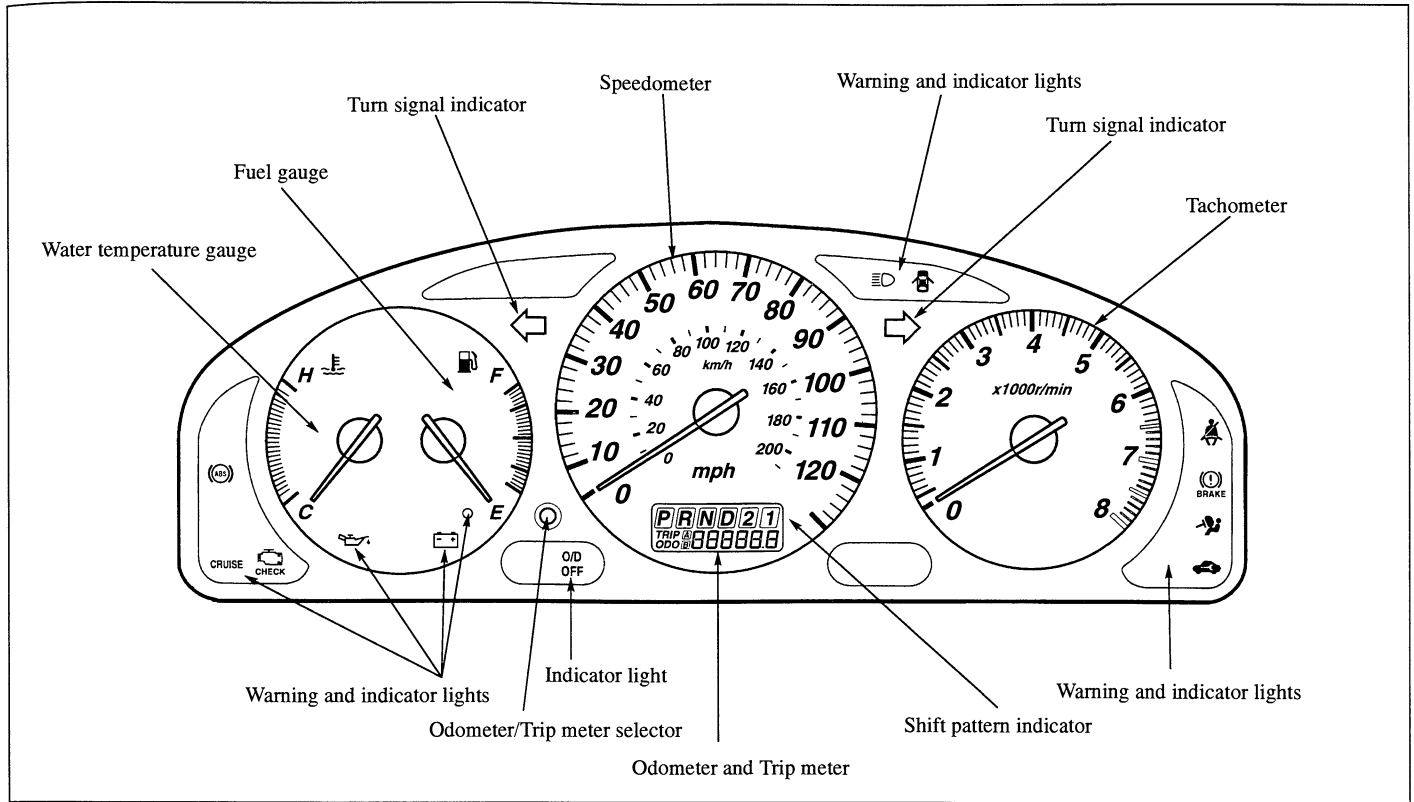
If something besides the CRUISE MAIN was used to cancel cruising speed and the system is still activated, the most recent set speed will automatically resume when the control lever is moved up to the RES/ACC position, then released. If vehicle speed is below 40km/h (25mph), increase the vehicle speed up to 40km/h (25mph) and move the lever up to the RES/ACC position.

**NOTE**

With an automatic transaxle vehicle,  
the gear is automatically selected  
when going uphill.



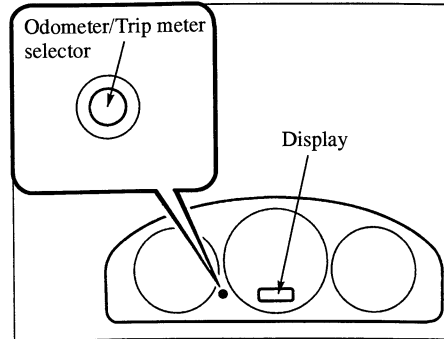
# Instrument Cluster



## Gauges

### ■ Speedometer

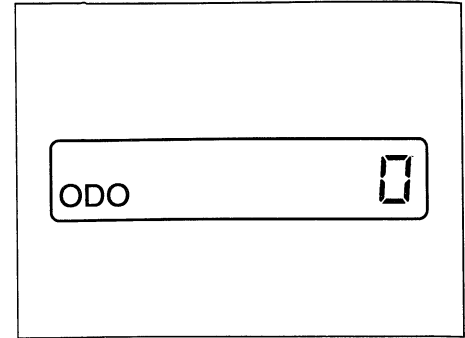
The speedometer indicates the speed of the vehicle.



### ■ Odometer and Trip Meter

The ignition switch must be in the ACC or ON position.

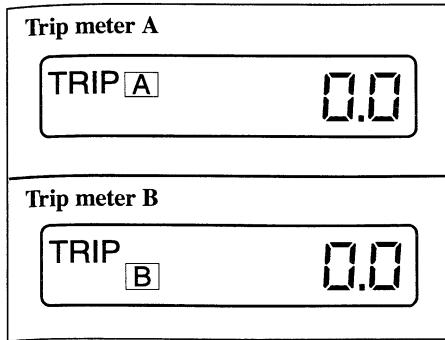
The display mode can be changed from odometer to trip meter A to trip meter B and then back to odometer by pressing the selector. The selected mode will be displayed.



### ▼ Odometer

When this mode is selected, ODO will be displayed.

The odometer records the total distance the vehicle has been driven.



### ▼ Trip meter

The trip meter can record the total distance of two trips. One is recorded in trip meter A, and the other is recorded in trip meter B.

For instance, trip meter A can record the distance from the point of origin, and trip meter B can record the distance from where the fuel tank is filled.

When trip meter A is selected, pressing the selector again within one second will change the trip meter to B mode.

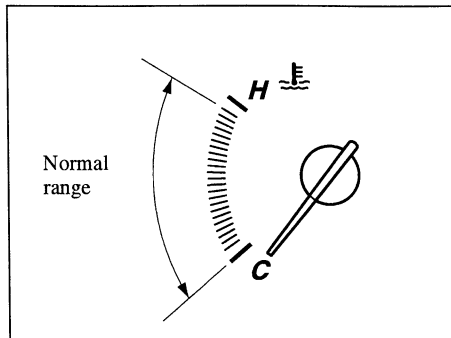
When trip meter A is selected, TRIP A will be displayed. When trip meter B is selected, TRIP B will be displayed.

The trip meter records the total distance the vehicle is driven until the meter is again reset. Return it to “0.0” by holding the selector depressed for more than 1 second.

Use this meter to measure trip distances and in to compute fuel consumption.

#### NOTE

- Only the trip meters record tenths of kilometers (miles).
- The trip record will be erased when the vehicle is driven over 999.9 km (miles).



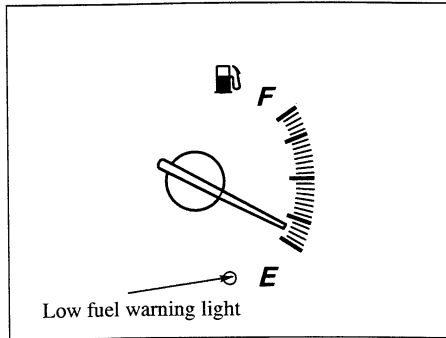
### ■ Water Temperature Gauge

The water temperature gauge shows the temperature of the engine coolant.

If the needle exceeds normal range toward H, it indicates overheating.

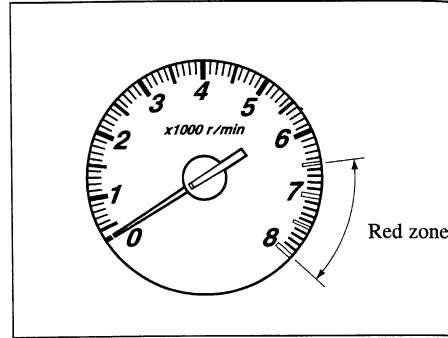
## ⚠ CAUTION

Driving with an overheated engine can cause serious engine damage (page 6-2).



### ■ Fuel Gauge

The fuel gauge shows approximately how much fuel is in the tank. We recommend keeping the tank over 1/4 full. When the low fuel warning light illuminates or when the needle is near E, refuel as soon as possible.



### ■ Tachometer

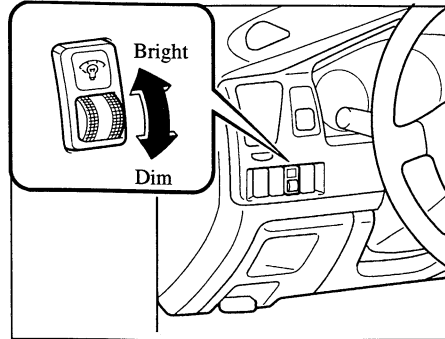
The tachometer shows engine speed in thousands of revolutions per minute (rpm).

## Dashboard Illumination

### CAUTION

Don't run the engine with the tachometer needle in the RED ZONE.

This may cause severe engine damage.



When the parking lights or headlights are on, rotate the thumb-wheel to adjust the brightness of the dashboard lights.

### Warning Lights/Beeps

#### ■ Warning Lights Inspection

Inspect the warning lights by turning the ignition switch to the ON position with the engine off and the parking brake on. Consult an Authorized Mazda Dealer about any light that doesn't come on.

If the brake system warning light is off when the ignition switch is in the START position, have the system inspected by an Authorized Mazda Dealer.

After starting the engine, make sure all warning lights are off. If one stays on, it's signaling for attention.

The brake system warning light should go off when the parking brake is released.

#### ■ Brake System Warning Light



This warning light comes on when the ignition switch is turned to the ON position. When the parking brake is not applied, it goes out after about 2 seconds.

This warning has the following functions:

#### ▼ Parking brake warning

The light comes on when the parking brake is applied with the ignition switch in the START or ON position. It goes off when the parking brake is fully released.

#### ▼ Low brake fluid level warning/Electronic brake force distribution system warning

If the light stays on after the parking brake is fully released, you may have a brake problem.

Drive to the side of the road and park off the right-of-way.

#### Low brake fluid level warning

You may notice that the pedal is harder to push or that it may go closer to the floor. In either case, it will take longer to stop the vehicle.

1. With the engine stopped, check the brake fluid level immediately and add fluid as required (page 8-18).
2. After adding fluid, check the light again.

If the warning light remains on, or if the brakes do not operate properly, do not drive the vehicle. Have it towed to an Authorized Mazda Dealer.

Even if the light goes off, have your brake system inspected as soon as possible.

### Electronic brake force distribution system warning\*

If the electronic brake force distribution control unit determines that some components are operating incorrectly, the control unit may turn the brake system warning light on. In this case, the ABS warning light comes on at the same time. (page 5-30)

### **WARNING**

#### Brake Warning Light:

*Driving with the brake system warning light on is dangerous. It indicates that your brakes may not work at all or that they could completely fail at any time. If this light remains on, have the brakes inspected immediately. Don't drive with this light on, and contact an Authorized Mazda Dealer to have the brakes inspected as soon as possible.*

### **WARNING**

*ABS Warning Light and Brake Warning Light on at the Same Time:*  
*Driving when the brake system warning light and ABS warning light are on at the same time is dangerous. When both lights are on, the rear wheels could lock more quickly in an emergency stop than under normal circumstances. Don't drive with both lights on, and contact an Authorized Mazda Dealer to have the brakes inspected as soon as possible.*

### ■ **Seat Belt Warning Light/Beep**



If the driver's seat belt is not fastened when the ignition switch is turned to the ON position, a beep will sound for about 6 seconds and the seat belt warning light will remain on until the belt is fastened.

If the system does not operate correctly, consult an Authorized Mazda Dealer.

### ■ Charging System Warning Light



This warning light indicates a malfunction of the alternator or of the charging system.

If the light comes on while driving:

1. Drive to the side of the road and park off the right-of-way.
2. Turn off the engine. Inspect the alternator drive belt for looseness and breakage.
3. If it's OK, the charging system has a problem. Consult an Authorized Mazda Dealer as soon as possible.

### CAUTION

Don't drive with a loose or broken alternator belt. The engine could overheat because this belt also drives the water pump.

### ■ Engine Oil Pressure Warning Light



This warning light indicates low engine oil pressure.

If the light comes on while driving:

1. Drive to the side of the road and park off the right-of-way.
2. Turn off the engine and inspect the engine oil level (page 8-12). If it's low, add oil.
3. Check the light.

If the light remains on even after you add oil, have your vehicle towed to the nearest service station or to an Authorized Mazda Dealer.



 **CAUTION**

Don't run the engine if oil pressure is low. It could result in extensive engine damage.

■ **Low Fuel Warning Light**

This warning light in the fuel gauge signals that the fuel tank will soon be empty.

Get fuel as soon as possible.

■ **Check Engine Light**



If this light comes on while driving, the vehicle may have a problem. It is important to note the driving conditions when the light came on and consult an Authorized Mazda Dealer.

The check engine light may come on in the following cases:

- The fuel tank level being very low or approaching empty.
- The engine's electrical system has a problem.
- The emission control system has a problem.
- The fuel-filler cap is missing or not tightened securely.

If the check engine light flashes continuously, decrease your speed and consult an Authorized Mazda Dealer as soon as possible.

■ Door-Ajar Warning Light



This warning light comes on when any door or liftgate isn't securely closed.

■ Antilock Brake System (ABS) Warning Light\*



The warning light stays on for a few seconds when the ignition switch is turned to the ON position.

If the ABS warning light stays on while you're driving, the ABS control unit has detected a system malfunction. If this occurs, your brakes will function normally as if the vehicle had no ABS. Should this happen, consult an Authorized Mazda Dealer as soon as possible.

 **WARNING**

**ABS Warning Light and Brake**

**Warning Light on at the Same Time:**

***Driving when the brake system warning light and ABS warning light are on at the same time is dangerous. When both lights are on, the rear wheels could lock more quickly in an emergency stop than under normal circumstances.***

***Don't drive with both lights on, and contact an Authorized Mazda Dealer to have the brakes inspected as soon as possible.***

**NOTE**

When the engine is jump-started to charge the battery, uneven rpm occurs and the ABS warning light comes on. This is due to a weak battery, not a malfunction.

Recharge the battery.

**■ Supplemental Restraint System Warning Light**

If the supplemental restraint system is OK, the warning light comes on when the ignition switch is turned to the ON position or after the engine is cranked. After about 6 seconds it goes out.

A system malfunction is indicated when this light constantly flashes, stays on or doesn't come on at all. If one of these occur, consult an Authorized Mazda Dealer as soon as possible. The system may not work in an accident.

** WARNING****Self-Servicing the Supplemental Restraint System:**

***Self-servicing or tampering with the supplemental restraint system is dangerous. The air bags could accidentally activate or become disabled. This could cause serious injuries. Never tamper with the supplemental restraint system and always have an Authorized Mazda Dealer perform all servicing and repairs.***

### ■ Immobilizer System Warning/Security Indicator Light\*



#### ▼ Immobilizer system warning light

When the key is in the ignition switch, this light serves as the immobilizer system warning light.

If the immobilizer system is working properly, the light will come on when the ignition switch is turned to the START position. The light will go out when the engine starts.

If the light flashes rapidly, fails to come on, or comes on and stays on, it indicates a system malfunction. If any of these occur, contact an Authorized Mazda Dealer as soon as possible.

#### ▼ Security indicator light

When there is no key in the ignition switch, and the theft-deterrent system has been armed, the light will flash once every three seconds. This indicates that the system is working properly.

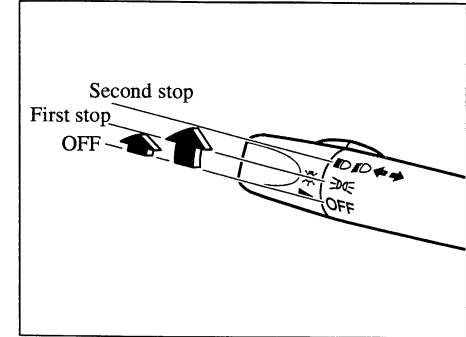
### ■ Ignition Key Reminder

If the ignition switch is in the LOCK or ACC position, a beep will sound when any door or liftgate is opened.

### ■ Lights-On Reminder

If lights are on and the key is removed from the ignition switch, a beep will sound when any door or liftgate is opened.

## Lighting Control and Turn Signals



### ■ Headlights

To turn on the lights, turn the knob on the end of the control lever.

The first stop turns on the taillights, dashboard lights, parking lights, license lights, and side-marker lights.

The second stop turns on the headlights, taillights, dashboard lights, parking lights, license lights, and side-marker lights.

### ■ Headlight High-Beam Indicator Light



This light indicates one of two things:

- The high-beam headlights are on.
- The turn-signal lever is in the flash-to-pass position.

### ■ O/D OFF Indicator Light



This light comes on when the overdrive has been turned off.

## ⚠ CAUTION

If the overdrive-off indicator light flashes, the transaxle has an electrical problem. Continuing to drive your Mazda in this condition could cause damage to your transaxle. Consult an Authorized Mazda Dealer as soon as possible.

### ■ Cruise Set Indicator Light\*



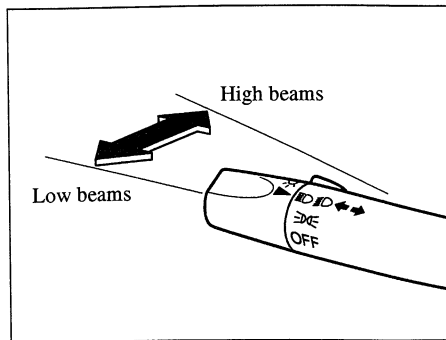
This light comes on when a cruising speed is set.

### ▼ Lights-on reminder

If lights are on and the key is removed from the ignition switch, a beep will sound when any door or liftgate is opened.

#### NOTE

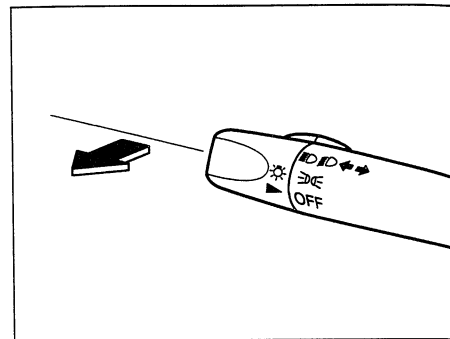
To prevent discharging the battery, don't leave the lights on while the engine is off.



### ▼ Headlight high-low beam

Push the lever forward for high beams. Pull it back for low.

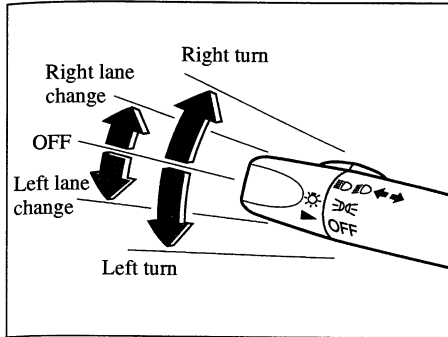
The high-beam indicator light on the dashboard is blue.



### ▼ Flashing the headlights

To flash the headlights, pull the lever fully toward you. The headlight switch need not be on, and the lever will return to the normal position when released.

The high-beam indicator light on the dashboard is blue.



## ■ Turn and Lane-Change Signals

### ▼ Turn signal

Move the signal lever down (for a left turn) or up (for a right turn) to the stop position. The signal will self-cancel after the turn is completed.

Green indicators on the dashboard show which signal is working.

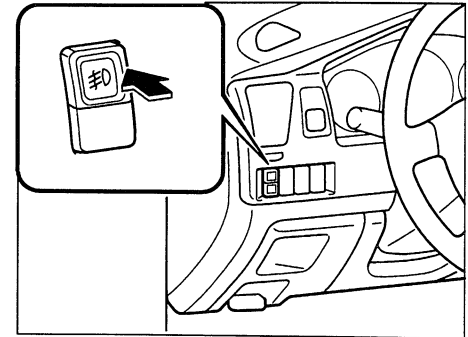
If the indicator light continues to flash after a turn, manually return the lever to its original position.

### ▼ Lane-change signals

Move the lever slightly toward the direction of the change—until the indicator flashes—and hold it there. It will return to the off position when released.

#### NOTE

If an indicator light stays on without flashing or if it flashes abnormally, the turn-signal bulb may be burned out.

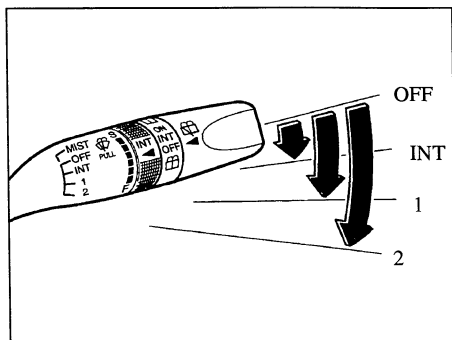


## ■ Fog Lights\*

Use this switch to turn on the fog lights. They help you to see as well as to be seen.

To turn on the fog lights, first turn on the headlight switch. Then press the fog light switch. To turn the fog lights off, press the fog light switch again or turn the headlight switch off.

## Windshield Wipers and Washer

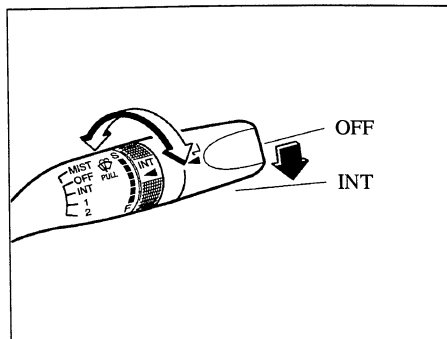


### ■ Windshield Wipers

The ignition switch must be in the ON position.

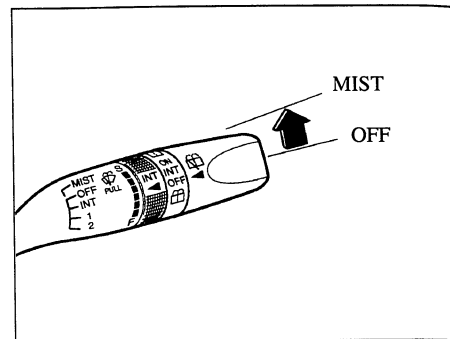
Turn the wipers on by pulling the lever down.

- INT — Intermittent
- 1 — Normal
- 2 — Fast



### ▼ Variable-speed intermittent wipers

Set the lever to INT and choose the interval timing by rotating the ring.



### ▼ One-touch wipers

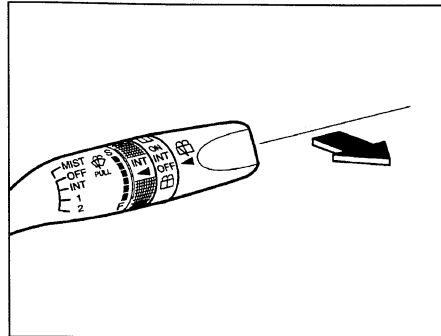
For a single wiping cycle, push the lever up to MIST.



**NOTE**

Because heavy ice and snow can jam the wiper blades, the wiper motor is protected by a circuit breaker. This mechanism will automatically stop operation of the blades, but only for about 5 minutes.

If this happens, turn off the wiper switch and pull off the right-of-way. After 5 minutes, turn on the switch and the blades should operate normally. If they don't, consult an Authorized Mazda Dealer as soon as possible.



### ■ Windshield Washer

The ignition switch must be in the ON position.

Pull the lever toward you and hold it to spray washer fluid. In the OFF or INT position, the wipers will be activated until the lever is released.

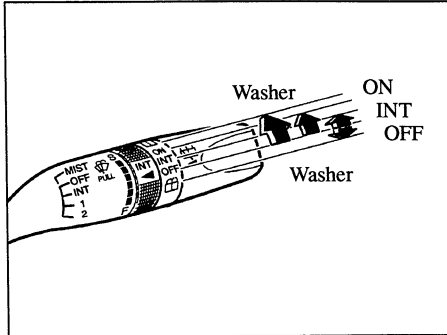
If the washer doesn't work, inspect the fluid level (page 8-21). If it's OK, consult an Authorized Mazda Dealer.

## **WARNING**

### Frozen Washer Fluid:

*Using windshield washer fluid in freezing temperatures is dangerous. The washer fluid could freeze on the windshield and block your vision. You could have an accident. Don't use the washer without first warming the windshield.*

## Rear Window Wiper and Washer




### ■ Rear Window Wiper

The ignition switch must be in the ON position.

Turn the wiper on by turning the knob.

- ON –Normal
- INT –Intermittent

### ■ Rear Window Washer

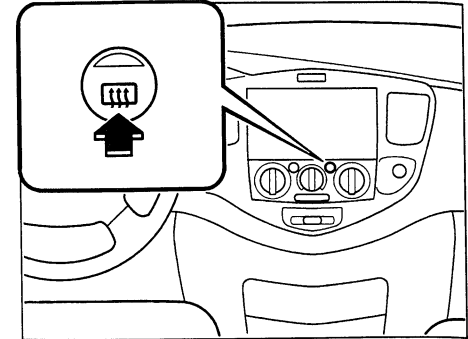
To spray washer fluid, turn the knob to the  position. After the knob is released, the washer will stop.

#### NOTE

There are two washer positions: up and down. In the down washer position, the wiper will not be activated.

If the washer doesn't work, inspect the fluid level (page 8-21). If it's OK and the washer still doesn't work, consult an Authorized Mazda Dealer.

## Rear Window Defroster



The rear defroster clears frost, fog, and thin ice from the rear window.

The ignition switch must be in the ON position.

Push the switch to turn on the rear window defroster; the indicator light will come on.

Push the switch again to turn it off.

 **CAUTION**

Don't use sharp instruments or window cleaners with abrasives to clean the inside of the rear window surface. They may damage the defroster grid inside the window.

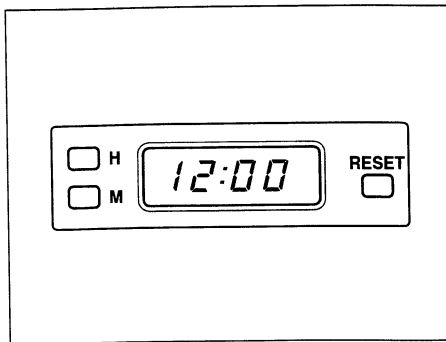
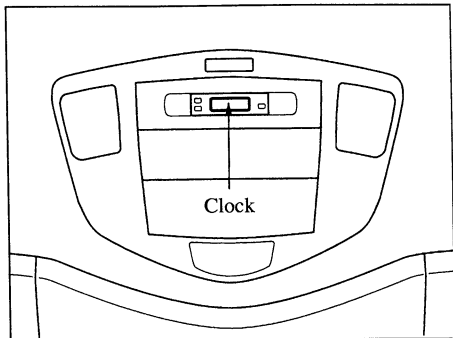
**NOTE**

This defroster is not designed for melting snow. If there is an accumulation of snow on the rear window, brush it off before using the defroster.

**NOTE**

- When the switch is turned on, the defroster comes on for about 20 minutes. Then the defroster cycles — 2 minutes off, 3 minutes on — for as long as the switch remains on. The indicator light stays on constantly.
- The rear defroster shuts off when the ignition switch is turned off.

## Clock\*



### ■ Setting the Time

The ignition switch must be in any position.

#### ▼ To set the hour

Press the H (hour) button to change hours.

#### ▼ To set the minutes

Press the M (minute) button to change minutes.

Press the RESET button to clear minutes. The clock will be set on the hour.

If the RESET button is pressed from 9:01 to 9:29, for example, the time will be reset to 9:00. If pressed from 9:30 to 9:59, the time will be reset to 10:00.

9:01—9:29 = 9:00

9:30—9:59 = 10:00

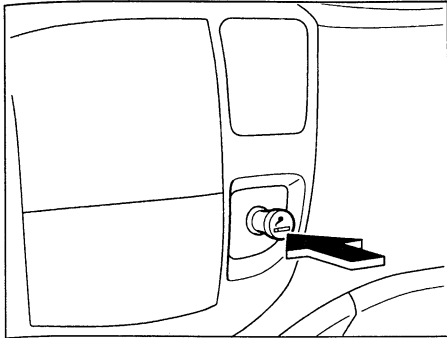
### NOTE

When the power is disconnected, the time is automatically set at 1:00

### NOTE

If the vehicle has an audio system, the clock is built into the audio system. Refer to the Audio section on page 5-69.

## Lighter



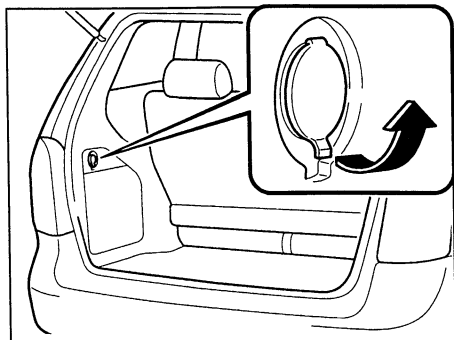
To operate the lighter, press it in and release it. When ready for use, it automatically pops out.

If the engine is off, the ignition switch must be in the ACC or ON position for the lighter to operate.

### CAUTION

- Don't hold the lighter in because it will overheat.
- Don't use the lighter socket for plug-in accessories such as shavers and coffee pots. They may damage it or cause electrical failure. Use only a genuine Mazda lighter.
- If the lighter doesn't pop out within 30 seconds, remove it to prevent overheating.

## Accessory Socket



To use the accessory, the ignition switch must be in the ACC or ON position.

Only use genuine Mazda accessories or the equivalent requiring no greater than 12V—10A.

### CAUTION

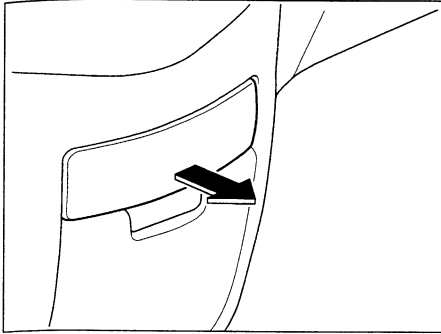
To prevent accessory socket damage or electrical failure, pay attention to the following:

- Don't use accessories that require more than 12V—10A.
- Don't use accessories that are not genuine Mazda accessories or the equivalent.
- Close the cover when the accessory socket is not in use.
- Correctly insert the plug into the accessory socket.

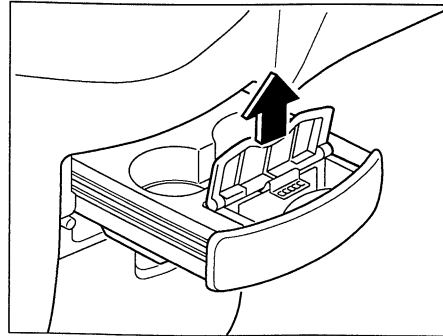
### NOTE

To prevent discharging the battery, don't use the socket for long periods with the engine off or idling.

## Ashtray\*



To use the front ashtray, pull it out.



To remove, open the cover and pull the ashtray upward.

**⚠ CAUTION**

Don't use ashtrays for trash. You might start a fire.

## Storage Compartments

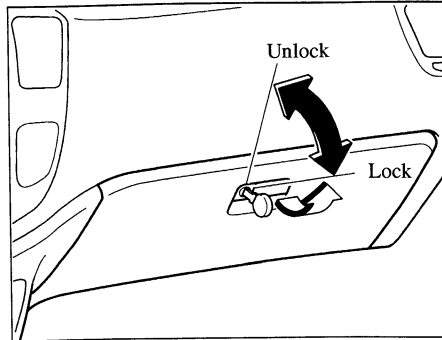
### **WARNING**

#### ***Open Storage Box:***

*Driving with a storage box open is dangerous. To reduce the possibility of injury in an accident or a sudden stop, keep the storage boxes closed when driving.*

### **CAUTION**

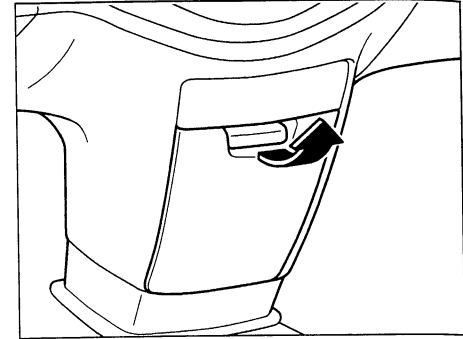
In hot weather, don't leave combustible materials or objects which will deform in extreme heat such as lighters and glasses in the vehicle.



#### ■ **Glove Box**

To open the glove box, pull the latch toward you.

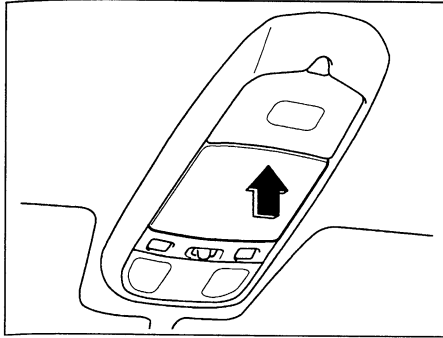
The door has a lock, insert the key and turn it clockwise to lock, counterclockwise to unlock.



#### ■ **Front Console**

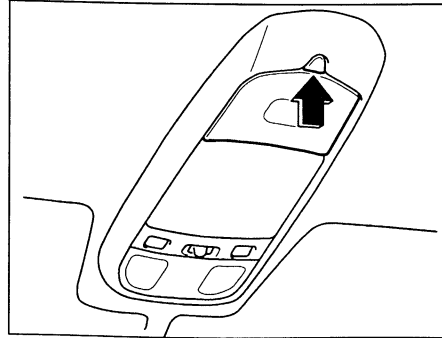
Pull the latch to open.





■ Glasses Receptacle\*

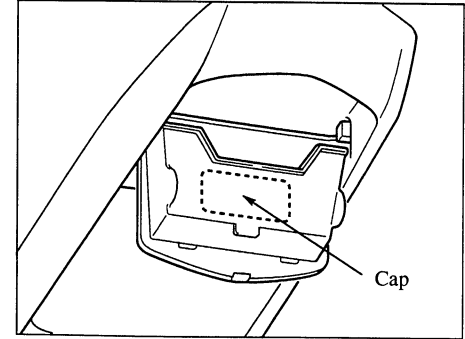
Push and release to open.



■ Overhead Console\*

This console box is designed to store a garage door opener or other accessories.

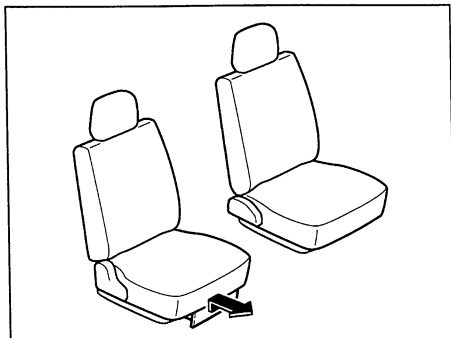
Push and release to open.



To store the garage door opener:

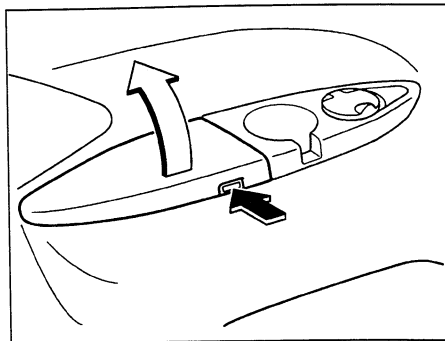
1. Open the console box.
2. Take out the two pieces of urethane spacer.
3. Open the cap by pushing it from inside the box.
4. Store the garage door opener by adjusting the thickness with the urethane spacers.

## Cup/Bottle Holders



### ■ Under Seat Tray\*

Lift the latch and pull the tray forward.



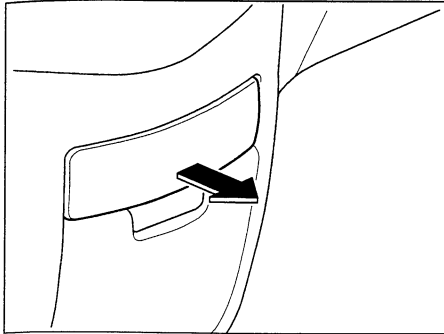
### ■ Rear Console

Push the knob and open the cover.

## **WARNING**

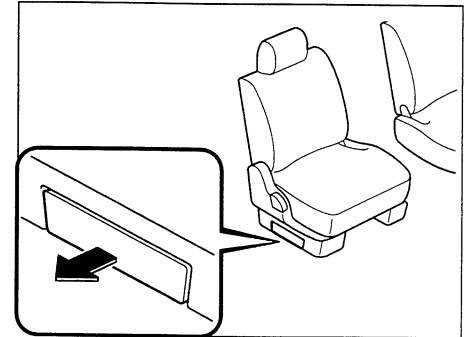
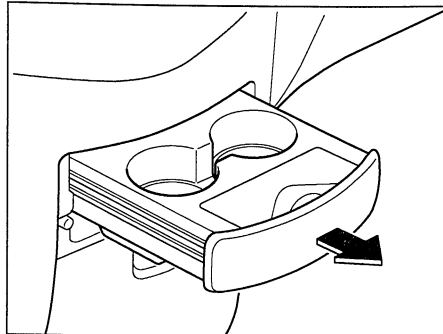
### *Using the Cup Holder:*

*Using the cup holder to hold hot liquids while the vehicle is moving is dangerous. If the contents spill, you could be scalded. Never use the cup holder to hold hot liquids while the vehicle is moving.*



■ **Front Cup Holder**

To use the cup holder, pull the tray out.

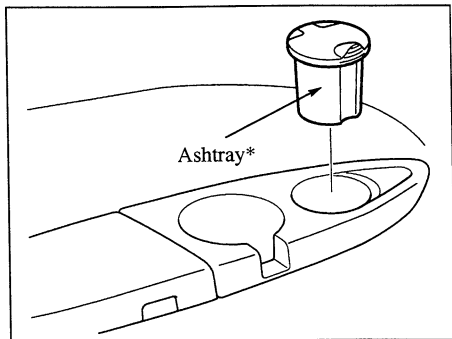


■ **Rear Cup Holders**

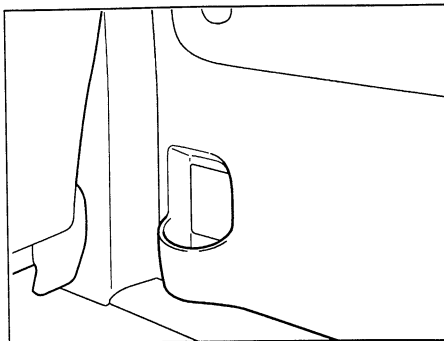
Rear cup holders are on the right of the second-row seat and in the rear consoles.

To use the cup holders, pull it out.

## Sunvisors

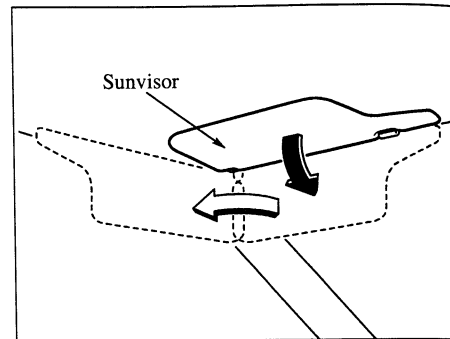


If an ashtray is equipped in the rear console, pull it out and use the hole for an additional cup holder.



### ■ Bottle Holders

Bottle holders are on the inside of the sliding doors.

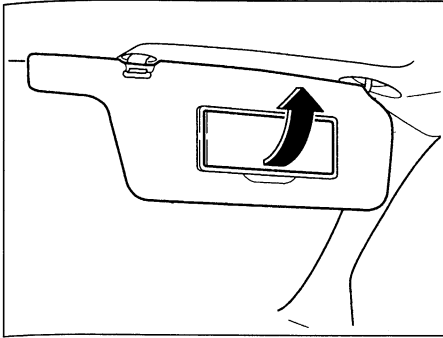


When you need a sunvisor, lower it for use in front or swing it to the side.

### ⚠ CAUTION

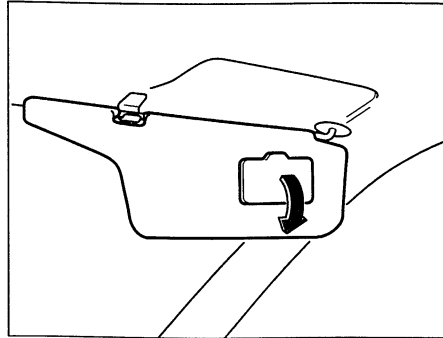
Don't use the bottle holders for containers without caps. The contents may spill.

## Vanity Mirrors



### (Type A)

To use the vanity mirror, lower the sunvisor and pull the mirror cover up. The vanity mirror light will come on when you pull the cover up.



### (Type B)

To use the vanity mirror, lower either sunvisor and pull down the mirror cover.

### Climate Control System

#### ■ Operating Tips

##### ▼ Operating the climate control system

Operate the climate control system with the engine running.

##### ▼ Clearing the air inlet

Clear all obstructions like leaves, snow and ice from the hood and the air inlet in the cowling grille to improve the system efficiency.

##### ▼ Foggy windows

The windows may fog up easily in humid weather. Use the climate control system to defrost the windows.

To help defrost the windows, operate the air conditioner to dehumidify the air.

##### ▼ Outside/Recirculated air position

Use the outside air position in normal conditions. The recirculated air position can be used temporarily when driving on dusty roads or for quick cooling of the interior.

##### ▼ Parking in direct sunlight

If the vehicle has been parked in direct sunlight during hot weather, open the windows to let warm air escape, then run the climate control system.

##### ▼ Not using for a long period

Run the air conditioner at least once a month to keep internal parts lubricated.

##### ▼ Check the refrigerant before weather gets hot

Have the air conditioner checked before the weather gets hot. Lack of refrigerant may make the air conditioner less efficient. Consult an Authorized Mazda Dealer for refrigerant inspection.






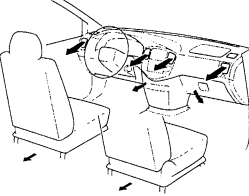
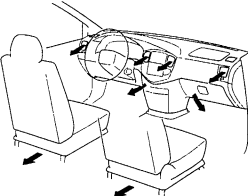
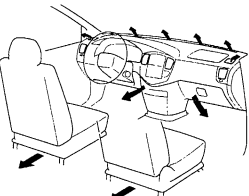
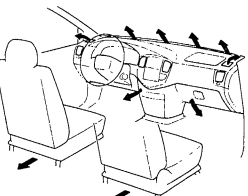
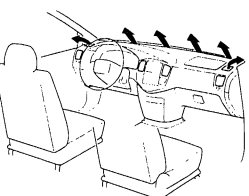
The optional air conditioner is filled with R134a, a refrigerant that will not damage the ozone layer.

If the air conditioner is low on refrigerant or has a malfunction, consult an Authorized Mazda Dealer.




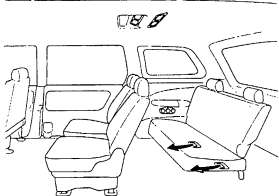
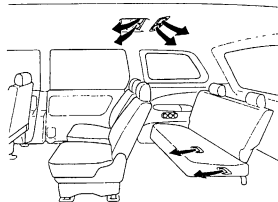
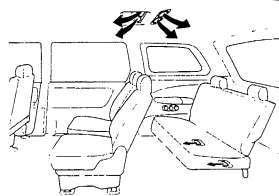
##### ▼ Replacement of the cabin air filter

If your vehicle is equipped with an air filter for the air conditioner, it is necessary to change the filter periodically as indicated in scheduled maintenance (page 8-3). Consult an Authorized Mazda Dealer for replacement the cabin air filter.

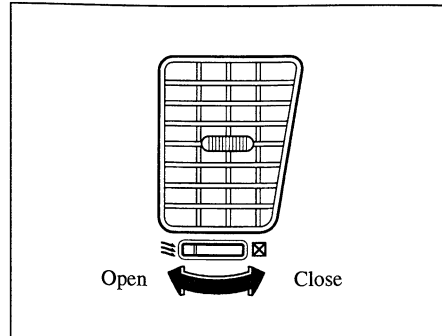
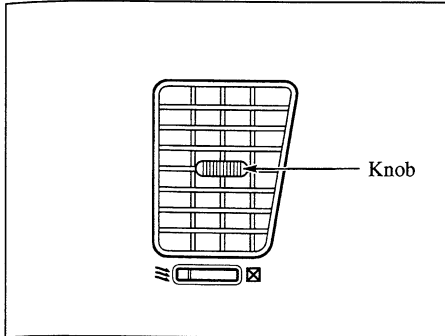
■ Selecting the Airflow Mode (Front Control Panel)

<p><b>Use</b></p>	<p>When you want air to the face:</p>	<p>When you want air to the face and the floor:</p>	<p>When you want air mainly to the floor:</p>	<p>When you want air to the floor and defrost the windshield:</p>	<p>When you want to defrost the windshield:</p>
<p><b>Mode</b></p>					
<p><b>Airflow</b></p>					

■ Selecting the Airflow Mode (Rear Control Panel)\*

<p>Use</p>	<p>When you want air mainly to the floor:</p>	<p>When you want air to the face and the floor:</p>	<p>When you want air to the face:</p>
<p>Mode</p>			
<p>Airflow</p>			





**NOTE**

When using the air conditioner, mist may come out from the vents. This is not a sign of trouble but a result of humid air being suddenly cooled.

■ Vent Operation

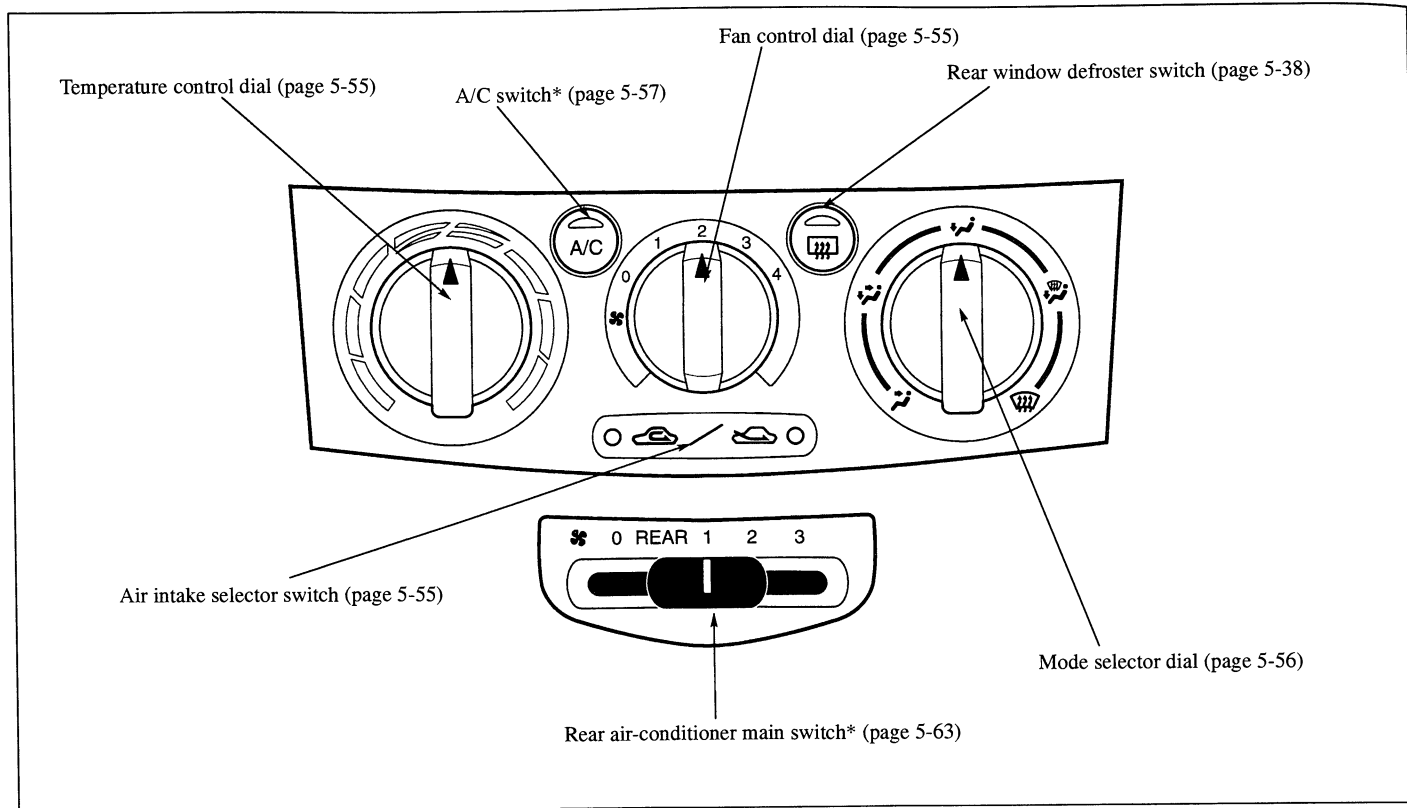
▼ Directing airflow

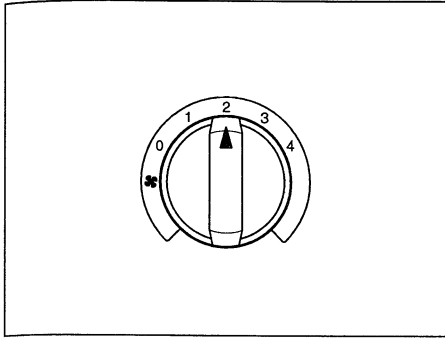
You can direct air flow vertically by moving the adjustment knob. Horizontal air flow can be adjusted by pressing the vent left or right.

▼ Adjusting the amount of airflow

These vents can be opened by rotating the horizontal wheel to the left or closed by rotating them to the right.

■ Control Panel (Front)

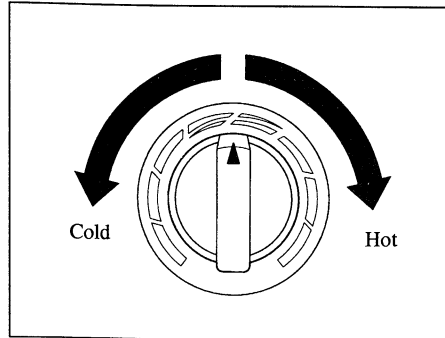




▼ Fan control dial

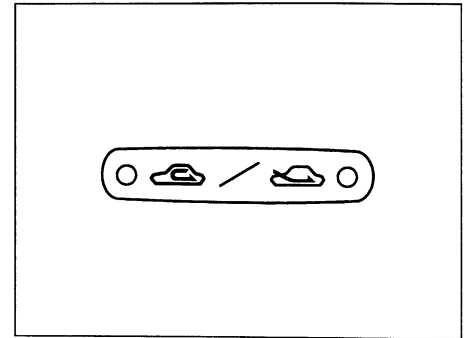
This dial allows variable fan speeds.

- 0 —Fan off
- 1 —Low speed
- 2 —Medium low speed
- 3 —Medium high speed
- 4 —High speed




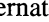
▼ Temperature control dial

This dial controls temperature. Turn it clockwise for hot and counterclockwise for cold.



▼ Air intake selector switch

This switch controls the source of air entering the vehicle.

Press the switch to alternate between the  and  positions. The indicator light for the selected mode will illuminate.

It is recommended that under normal conditions the switch be kept in the outside air position.

### **Outside air position**



Outside air is taken into the vehicle. Use this position for normal ventilation and heating.

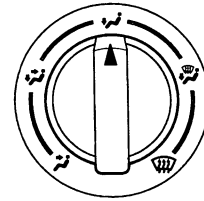
### **Recirculated air position**

Outside air is shut off. Air within the vehicle is recirculated.

This position can be used when driving on a dusty road or in similar conditions. It also helps to provide quicker cooling of the interior.

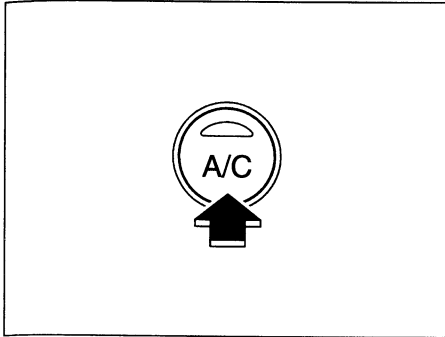
## **WARNING**

***The Recirculated Air Position:***  
***Using the  position in cold weather will cause the glass to fog up. Your vision will be hampered, which could lead to a serious accident. Do not use the  position in cold weather.***



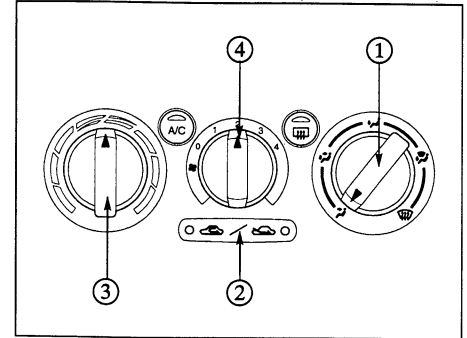
### ▼ **Mode selector dial**

Turn the mode selector dial to select airflow mode (page 5-51).



**NOTE**

The air conditioner may not function when the outside temperature approaches 0°C (32°F).





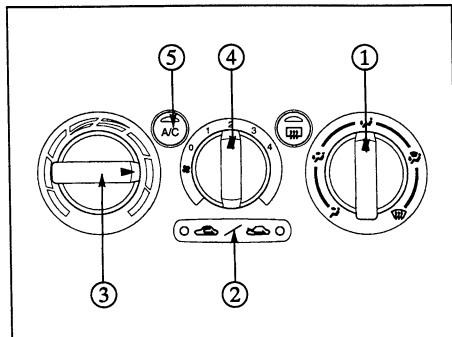
**▼ A/C switch\***

Push the switch to turn the air conditioner on. An indicator light on the switch will illuminate when the fan control dial is on.



Push the switch once again to turn the air conditioner off.

**▼ Ventilation**

1. Set the mode selector dial to the  position.
2. Set the air intake selector switch to the  position.
3. Set the temperature control dial to the desired position.
4. Set the fan control dial to the desired speed.





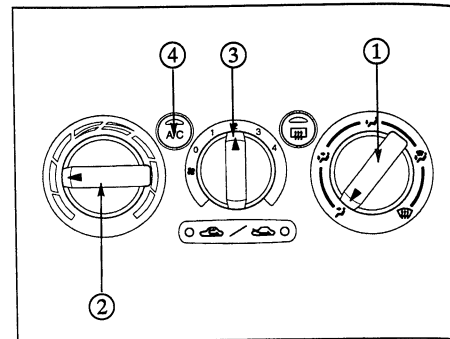
### ▼ Heating

1. Set the mode selector dial to the  position.
2. Set the air intake selector switch to the  position.
3. Set the temperature control dial to the hot position.
4. Set the fan control dial to the desired speed.


5. If dehumidified heating is desired, turn on the air conditioner.

### NOTE

- If the windshield fogs up easily, set the mode selector dial to the  position. In this position, the outside air is automatically selected.
- If cooler air is desired at face level, set the mode selector dial to the  position and adjust the temperature control dial to maintain maximum comfort.
- The air to the floor is warmer than air to the face (except when the temperature control dial is set at the extreme hot or cold position).



### ▼ Cooling (with air conditioner)\*



1. Set the mode selector dial to the  position.
2. Set the temperature control dial to the desired position.
3. Set the fan control dial to the desired speed.
4. Turn on the air conditioner.

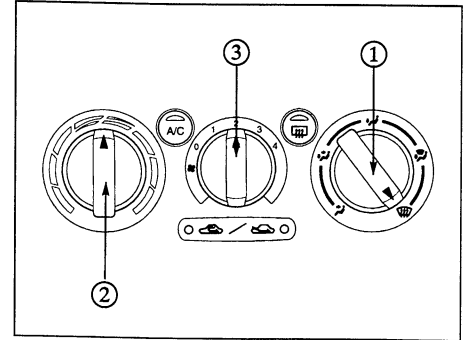
- Adjust the fan control dial and temperature control dial to maintain maximum comfort.

### CAUTION


When using the air conditioner while driving up long hills or in heavy traffic, closely monitor the temperature gauge. The air conditioner may cause engine overheating. If the gauge indicates overheating, turn the air conditioner off. (Refer to Overheating on page 6-2.)

### NOTE

- When maximum cooling is desired, set the temperature control dial to the extreme cold position and set the air intake selector switch to the  position, then set the fan control dial to the position 4.
- If warmer air is desired at floor level, set the mode selector dial at the  position and adjust the temperature control dial to maintain maximum comfort.
- The air to the floor is warmer than air to the face (except when the temperature control dial is set at the extreme hot or cold position).





### ▼ Windshield defrosting and defogging





- Set the mode selector dial to the  position.
- Set the temperature control dial to the desired position.
- Set the fan control dial to the desired speed.

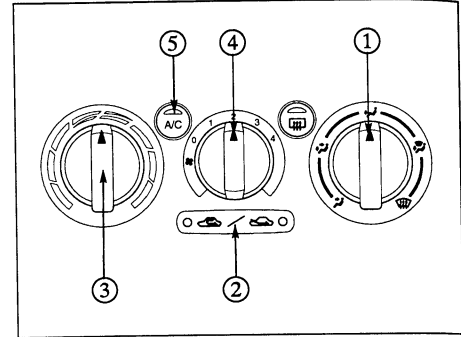
## **WARNING**

### Foggy Windshield:

Using the  position with the temperature control set to the cold position will cause the outside of the glass to fog up. Your vision will be hampered, which could lead to a serious accident. Set the temperature control to the hot or warm position when using the  position.


## **NOTE**

- In the  or  position, the outside air is automatically selected. The air intake selector switch cannot be changed to the  position.
- For maximum defrosting, set the temperature control dial to the extreme hot position and the fan control dial to position 4.
- If warm air is desired at the floor, set the mode selector dial to the  position.



### ▼ **Dehumidifying (with air conditioner)\***

Operate the air conditioner in cool or cold weather to help defog the windshield and side windows.

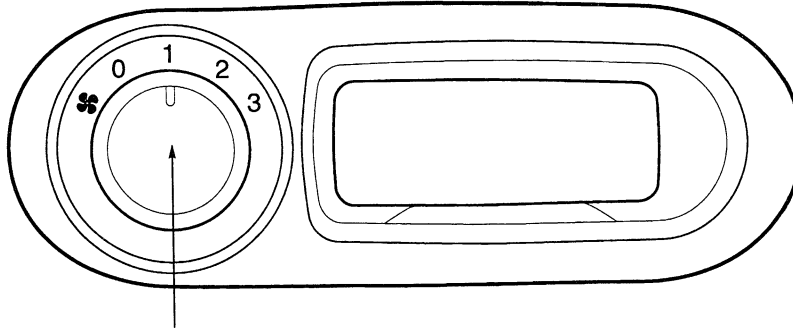
1. Set the mode selector dial to the desired position.
2. Set the air intake selector switch to the  position.
3. Set the temperature control dial to the desired position.



4. Set the fan control dial to the desired speed.
5. Turn on the air conditioner.

■ Control Panel (Rear)\*

Type A



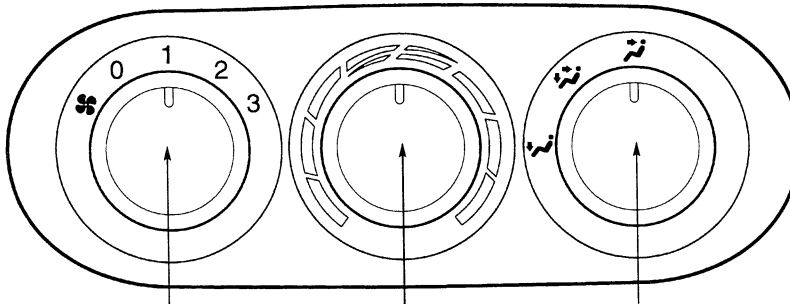
Fan control dial (page 5-63)

**NOTE:**

**(Rear heater type)**  
Supplies only hot air  
out of floor outlets.

**(Rear cooler type)**  
Supplies only cold air  
out of roof vents.

Type B



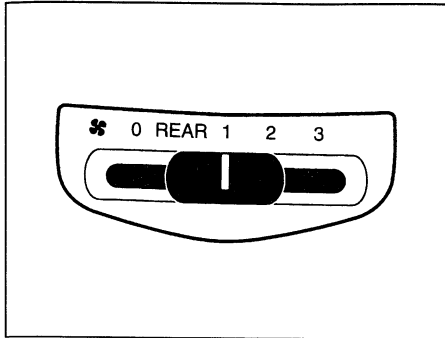
Fan control dial  
(page 5-63)

Temperature control dial  
(page 5-64)

Mode selector dial  
(page 5-64)

**NOTE:**

Supplies cold or hot  
air out of roof vents  
and/or floor outlets.



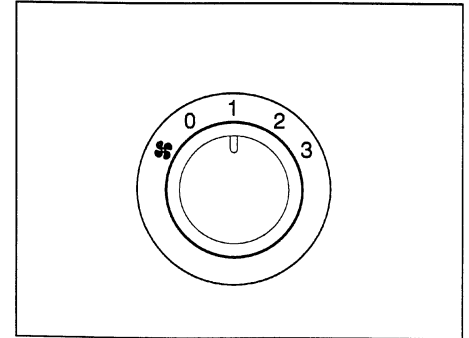
▼ Rear air-conditioner main switch

The air conditioner has front and rear controls. The front air-conditioner controls override the rear controls.

The rear air-conditioner main switch is under the front air-conditioner control panel.

This switch allows variable fan speeds for the rear air-conditioner.

- 0 —Fan off
- REAR**—Select the desired fan speed with rear air-conditioner control panel.
- 1 —Low speed
- 2 —Medium speed
- 3 —High speed



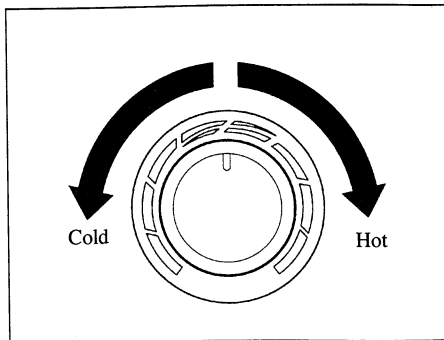
▼ Fan control dial

This dial allows variable fan speeds.

- 0 —Fan off
- 1 —Low speed
- 2 —Medium speed
- 3 —High speed

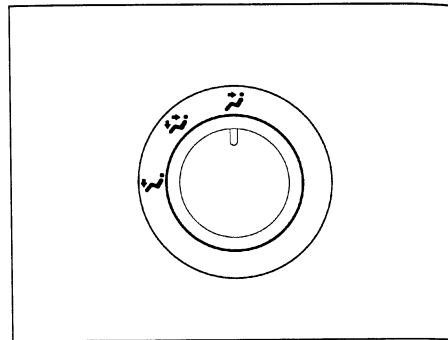
**NOTE**

When the rear air-conditioner main switch is not set to the REAR position, the fan control dial of the rear air-conditioner control panel does not work. The front air-conditioner controls override the rear controls.



▼ **Temperature control dial (Type B)**

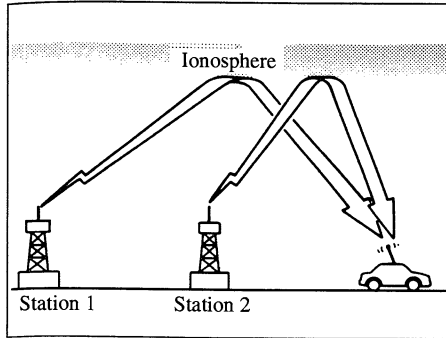
This dial controls temperature. Turn it clockwise for hot and counterclockwise for cold.



▼ **Mode selector dial (Type B)**

Turn the mode selector dial to select airflow mode (page 5-52).

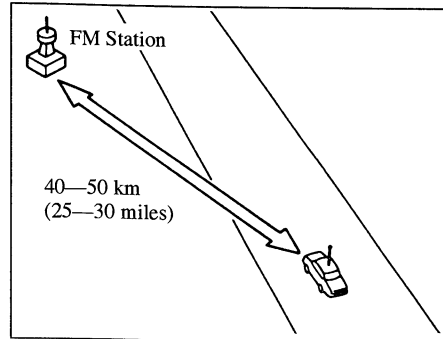
## Radio Reception



### ■ AM Characteristics

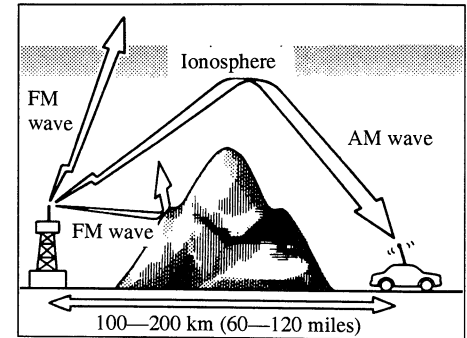
#### ▼ Station mixing

AM signals bend around such things as buildings or mountains and bounce off the ionosphere. Therefore, they can reach longer distances than FM signals. Because of this, two stations may sometimes be picked up on the same frequency at the same time.



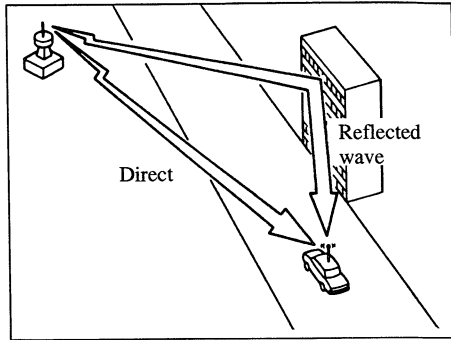
### ■ FM Characteristics

An FM broadcast range is usually about 40—50 km (25—30 miles) from the source. Because of extra coding needed to break the sound into two channels, stereo FM has even less range than monaural (non-stereo) FM.



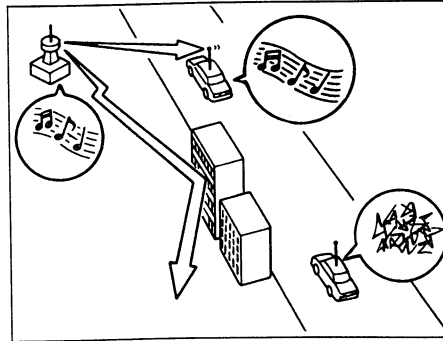
Signals from an FM transmitter are similar to beams of light because they do not bend around corners, but they do reflect. Unlike AM signals, FM signals cannot travel beyond the horizon. Therefore, FM stations cannot be received at the great distances possible with AM reception.

Atmospheric conditions can also affect FM reception. High humidity will cause poor reception. However, cloudy days may provide better reception than clear days.



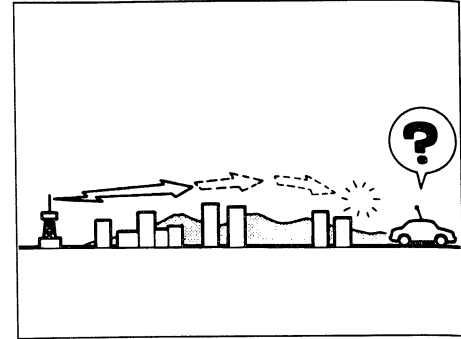
### ▼ Multipath noise

Since FM signals can be reflected by obstructions, it is possible to receive both the direct signal and the reflected signal at the same time. This causes a slight delay in reception and may be heard as a broken sound or a distortion. This problem may also be encountered when in close proximity to the transmitter.



### ▼ Flutter/Skip noise

Signals from an FM transmitter move in straight lines and become weak in valleys between tall buildings, mountains, and other obstacles. When a vehicle passes through such an area, the reception conditions may change suddenly, resulting in annoying noise.

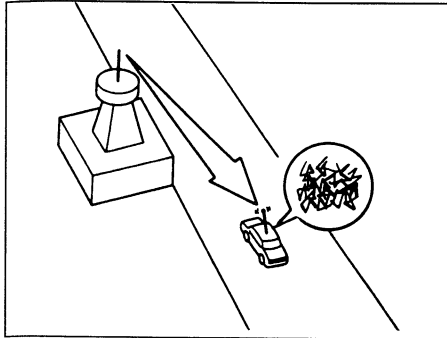


### ▼ Weak signal noise

In suburban areas, broadcast signals become weak because of distance from the transmitter. Reception in such fringe areas is characterized by sound breakup.

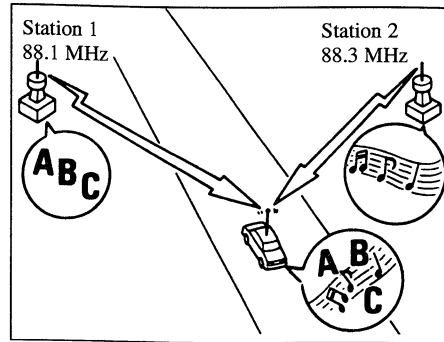
## Safety Certification

This CD player is made and tested to meet exacting safety standards. It meets FCC requirements and complies with safety performance standards of the U.S. Department of Health and Human Services.



### ▼ Strong signal noise

This occurs very close to a transmitter tower. The broadcast signals are extremely strong, so the result is noise and sound breakup at the radio receiver.



### ▼ Station drift noise

When a vehicle reaches the area of two strong stations broadcasting at similar frequencies, the original station may be temporarily lost and the second station picked up. At this time there will be some noise from this disturbance.

**⚠ CAUTION**

- This CD player should not be adjusted or repaired by anyone except qualified service personnel. If servicing required, contact an Authorized Mazda dealer.
- Use of controls or adjustments or performance of procedures other than those specified herein may result in hazardous radiation exposure. Never operate the CD player with the top case of the unit removed.
- Changes or modifications not expressly approved by Mazda may void the user's authority to operate this equipment.

**NOTE**

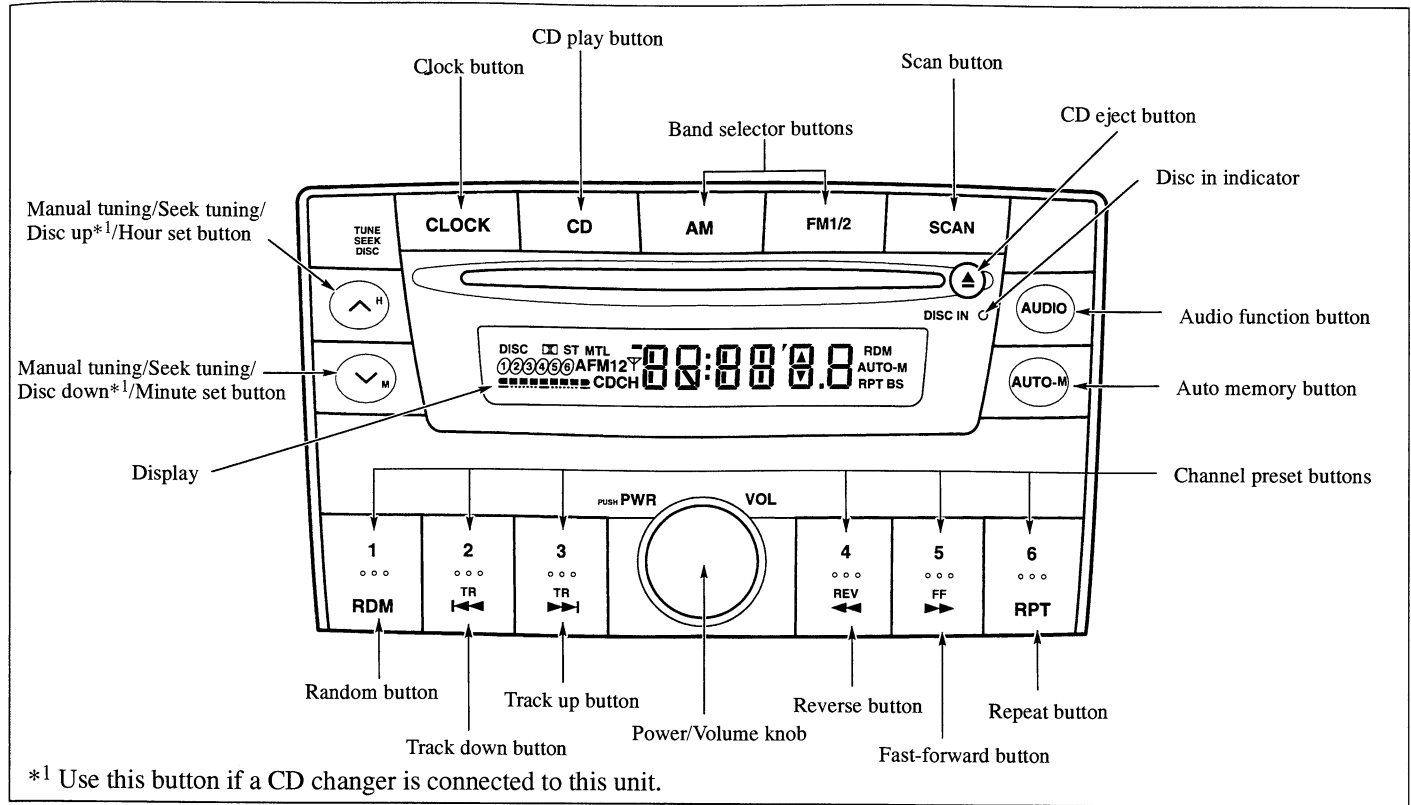
For CD player section:  
This device complies with part 15 of the FCC Rules. Operation is subject to the following two conditions: (1) This device may not cause harmful interference, and (2) this device must accept any interference received, including interference that may cause undesired operation.

**NOTE**

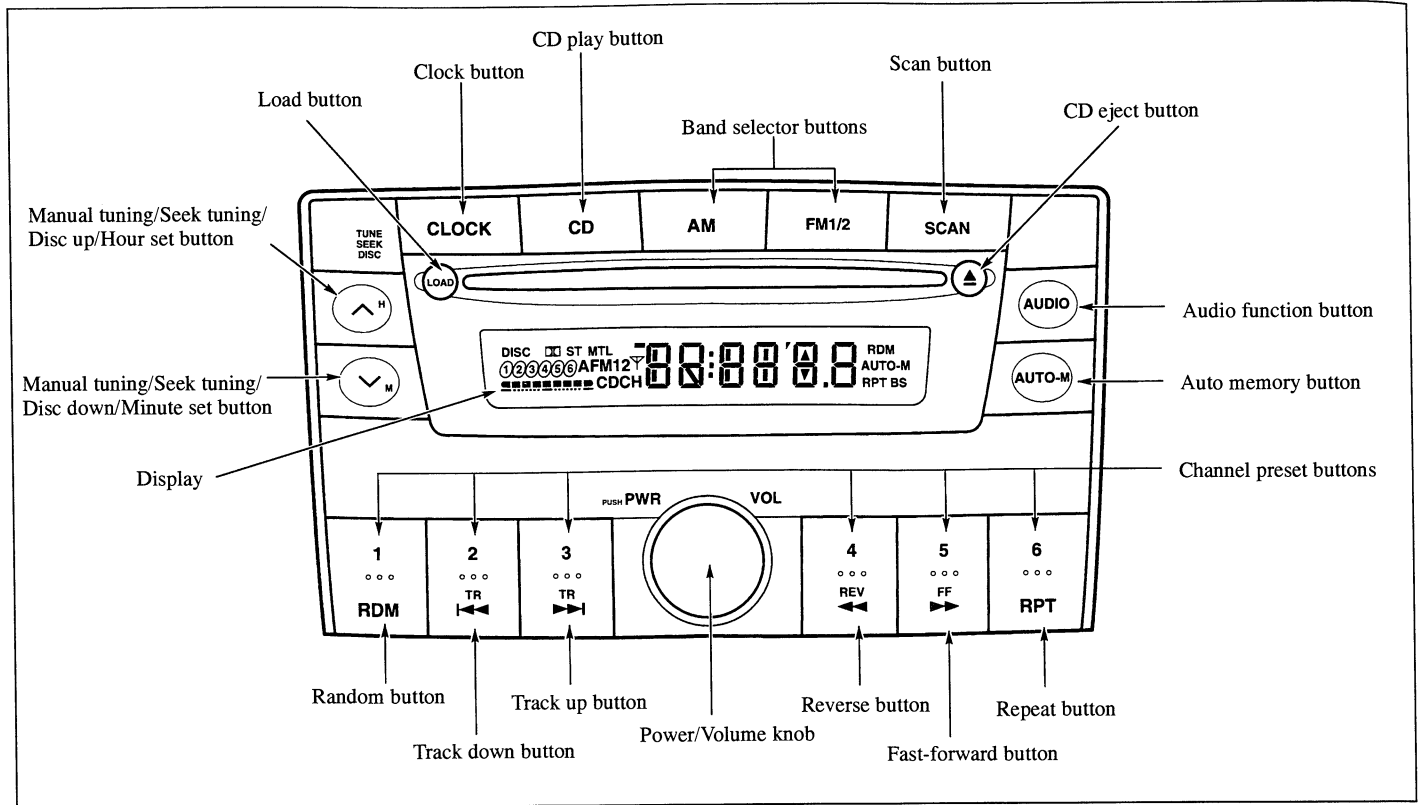
This equipment has been tested and found to comply with the limits for a Class B digital device, pursuant to part 15 of the FCC Rules. These limits are designed to provide reasonable protection against harmful interference in a residential installation. This equipment generates, uses, and can radiate radio frequency energy and, if not installed and used in accordance with the instructions, may cause harmful interference to radio communications. However, there is no guarantee that interference will not occur in a particular installation.

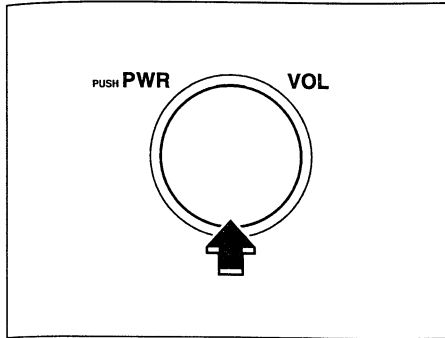


## AM/FM Radio with Compact Disc Player\*



## AM/FM Radio with Compact Disc Changer (In-Dash CD Changer)\*





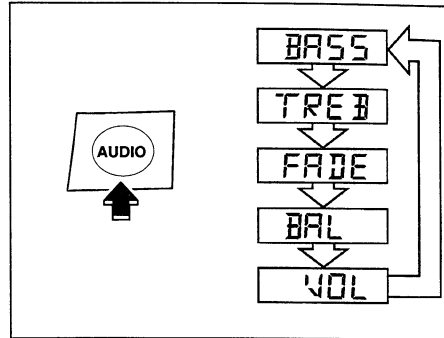
■ Power ON/OFF

Turn the ignition switch to the ACC or ON position.

Press the power/volume knob to turn the audio system on. Press the power/volume knob again to turn the audio system off.

**NOTE**

To prevent the battery from being discharged, do not leave the audio system on for a long period when the engine is not running.

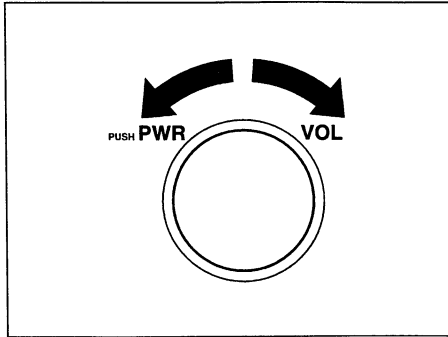


▼ Audio sound adjustment

1. Press the audio function button to select bass, treble, fade, balance, or volume control. The selected function will be indicated.

**NOTE**

About 5 seconds after selecting any mode, the volume function will be automatically selected. To reset bass, treble, fade, and balance, press the audio function button for 2 seconds. The unit will beep and "CL" will be displayed.



2. Turn the power/volume knob to adjust the selected function; bass, treble, fade, balance, or volume.

### NOTE

The volume can be adjusted without pressing the audio function button.

### Bass control

To adjust the bass, select BASS by pressing the audio function button. “BASS” will be displayed.

Turn the power/volume knob to the right to increase bass, to the left to decrease it. The level will be displayed. Release the power/volume knob when the desired level has been reached.

### Treble control

To adjust the treble, select TREB by pressing the audio function button. “TREB” will be displayed.

Turn the power/volume knob to the right to increase treble, to the left to decrease it. The level will be displayed. Release the power/volume knob when the desired level has been reached.

### Fader control

To adjust the sound distribution between front and rear speakers, select FADE by pressing the audio function button. “FADE” will be displayed.

Turn the power/volume knob to the right to shift the sound to the rear, to the left to shift the sound to the front. The level will be displayed.

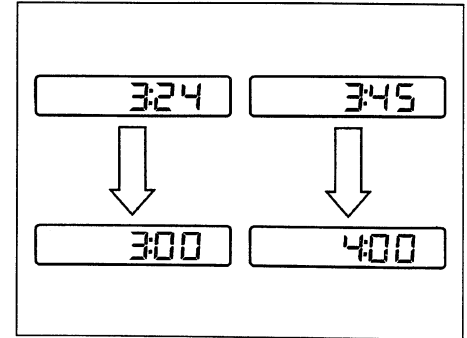
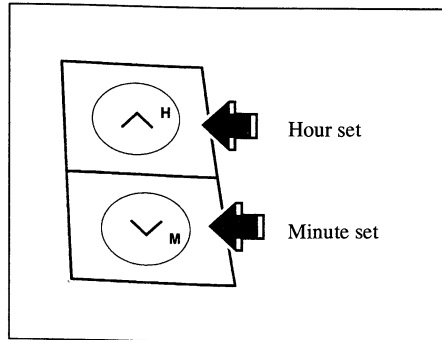
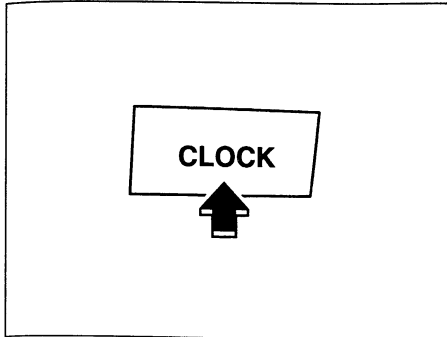
Release the power/volume knob when the desired level has been reached.

### Balance control

To adjust the sound distribution between left and right speakers, select BAL by pressing the audio function button. “BAL” will be displayed.

Turn the power/volume knob to the right to shift the sound to the right, to the left to shift the sound to the left. The level will be displayed.

Release the power/volume knob when the desired level has been reached.



■ Clock

▼ Setting the time

The clock can be set at any time when the ignition switch is in the ACC or ON position.

1. To adjust the time, press the clock button for about 2 seconds until a beep is heard.
2. The clock's current time will flash until the time is set.

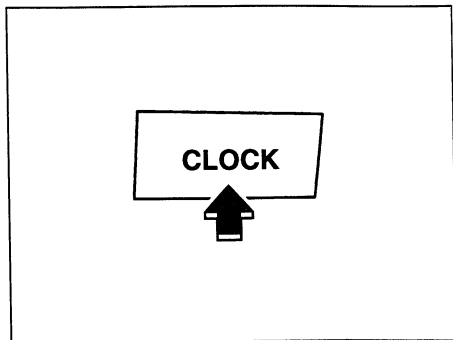
3. To advance the hours, press the hour set button ( ^ ) to advance the minutes, press the minute set button ( v ) while the time is flashing.
4. Press the clock button again to start the clock.

**NOTE**

If the power supply to the unit is interrupted (if the fuse blows or the vehicle's battery is disconnected), the clock will need to be reset.

**NOTE**

If the time is not adjusted while the clock's current time is flashing (if neither the ^ nor v is pressed), and the clock button is pressed a second time, the minutes will be set to 00. If the clock's current time setting is within the latter part of the hour (from 30 to 59 min), the hour setting will automatically advance one hour.

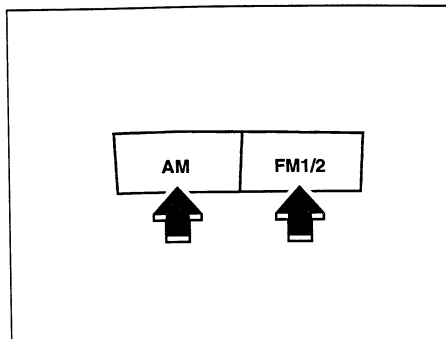


### ▼ Changing the display mode

The display on the unit can be changed by pressing the clock button. This alternates the display between clock and audio. When the clock mode has been selected, the time will be displayed.

#### NOTE

If audio operation is selected while the clock mode is on, the selected audio mode will be displayed for 10 seconds, then the display will revert to the clock mode.



### ■ Operating the Radio

To operate the radio, turn the ignition switch to the ACC or ON position.

### ▼ Radio ON

Press the AM or FM1/2 button to turn the radio on.

### ▼ Band selection

Choose AM by pressing the AM button and FM1 or FM2 by pressing the FM1/2 button.

The selected mode will be indicated. If FM stereo is being received, "ST" will be displayed.

#### NOTE

If the FM broadcast signal becomes weak, reception automatically changes from STEREO to MONO for reduced noise, and the "ST" indicator will go out.

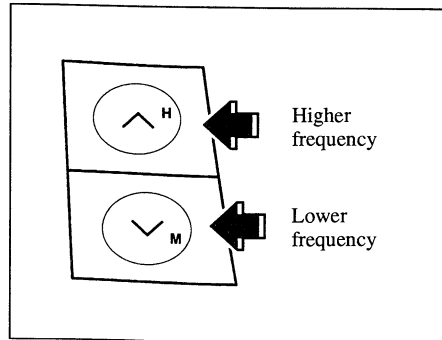
▼ **Tuning**

The radio has five tuning methods: Manual, Seek, Scan, Preset channel, and Auto memory tuning.

The easiest way to tune stations is to set them on preset channels.

**NOTE**

If the power supply is interrupted (fuse blows or the battery is disconnected), the preset channels will be canceled.



**Manual tuning**

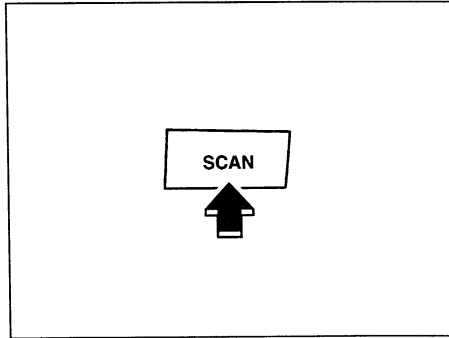
Pressing the manual tuning button will change to a higher or lower frequency.

**Seek tuning**

Pressing the seek tuning button for more than about half a second until a beep is heard will cause the tuner to seek a higher or lower frequency automatically.

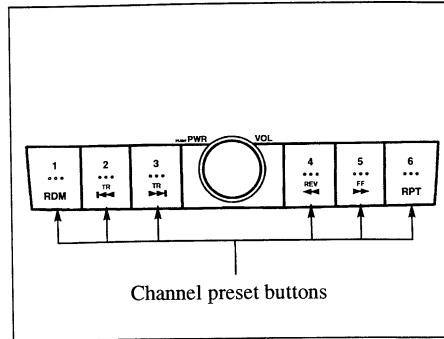
**NOTE**

If you continue to press and hold the button, the frequency will continue changing without stopping. Please release the button after the beep.



### Scan tuning

Press the scan button to automatically sample strong stations. Scanning stops at each station for about 5 seconds. To hold a station, merely press the scan button again during this interval.



### Preset channel tuning

The six preset channels can be used to store 6 AM and 12 FM stations.

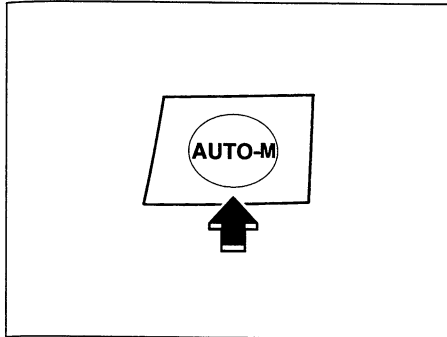
To set a channel first select AM, FM1, or FM2. Tune to the station you want and depress a channel preset button for about 2 seconds until a beep is heard. The preset channel number and station frequency will be displayed. The station is now held in the memory. Repeat this operation for the other stations and bands you want to store.

To tune one in the memory, select AM, FM1, or FM2 and then press its channel preset button. The station frequency and the channel number will be displayed.

### NOTE

If the power supply is interrupted (fuse blows or the battery is disconnected), the preset channels will be canceled.





### Auto memory tuning

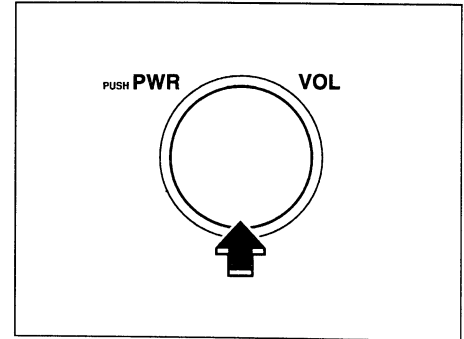
This is especially useful when driving in an area where the local stations are not known. Additional AM/FM stations can be stored without disturbing the previously set channels.

Press and hold the auto memory button for about 2 seconds until a beep is heard; the system will automatically scan and temporarily store the six strongest stations of each selected band in that area to the preset channels.

After scanning is completed, the strongest station will be tuned and its frequency displayed. Press the channel preset buttons to recall stations from the auto-stored stations. One stored station will be selected each time; its frequency and channel number will be displayed.

#### NOTE

If no stations can be tuned after scanning operations, "A" will be displayed.



### ▼ Radio OFF

Press the power/volume knob to turn off the radio.

#### NOTE

Press the power/volume knob again to listen to the frequency last tuned to.

### ■ Operating the Compact Disc (CD) Player/In-Dash CD Changer

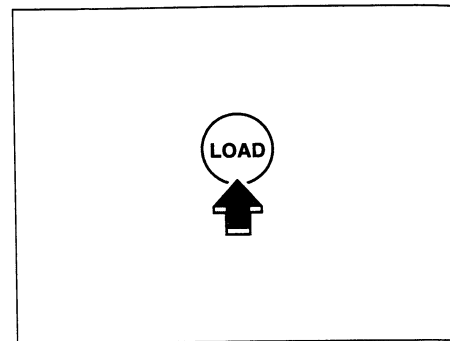
To operate the CD player/in-dash CD changer, turn the ignition switch to the ACC or ON position.

### ▼ Inserting the CD (CD player)

Insert the CD into the slot, label-side up. The auto-loading mechanism will set the CD and begin play. There will be a short lapse before play begins while the player reads the digital signals on the CD. The disc in indicator will illuminate and the track number will be displayed.

### ▼ Inserting the CD (In-dash CD changer)

The CD must be label-side up when inserting. The auto-loading mechanism will set the CD and begin play. There will be a short lapse before play begins while the player reads the digital signals on the CD. The disc number and the track number will be displayed.



### Normal insertion

1. Press the load button.
2. When "In" is displayed, insert the CD.

### Multiple insertion

1. Press and hold the load button for about 2 seconds until a beep is heard.
2. When “In” is displayed, insert the CD.
3. When “In” is displayed again, insert the next CD.

#### NOTE

The first-inserted CD will be played automatically when:

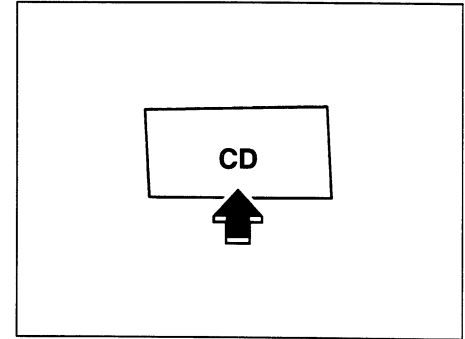
- No CD is inserted within 15 seconds after “In” is displayed.
- The CD trays are full.

### Inserting CDs into desired tray number

1. Press and hold the load button for about 2 seconds until a beep is heard.
2. Press the channel preset button for the desired tray number within 5 seconds after the beep is heard.
3. When “In” is displayed, insert the CD.

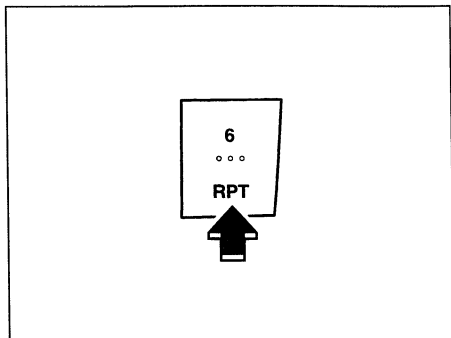
#### NOTE

The CD can not be inserted to the desired tray number if the number is already occupied.



### ▼ Playing

Press the CD play button to start playing when a CD is in the unit.

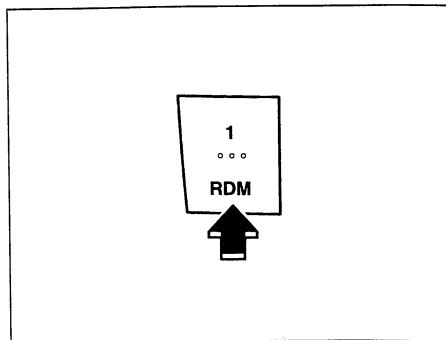


### ▼ Repeat play

This feature makes it possible to listen to a selection repeatedly.

Press the repeat button during play. The current selection will be repeated (“RPT” will be displayed).

Press the repeat button once again to cancel repeat play.

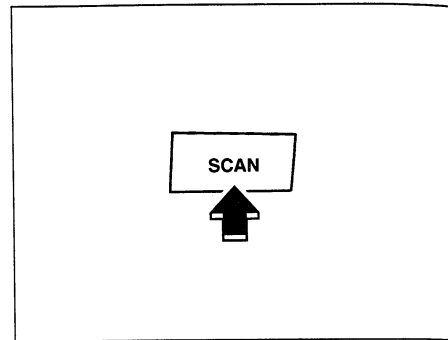


### ▼ Random play

This feature allows the CD player to randomly select the order of the songs.

Press the random button during play. The next selection will be randomly selected (“RDM” will be displayed).

Press the random button once again to cancel random play.



### ▼ Music scan

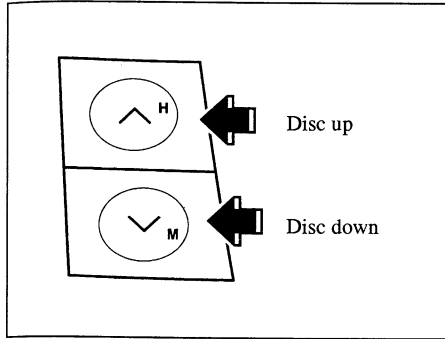
This feature helps to find a program by playing about the first 10 seconds of each track.

Press the scan button during play to start scan play operation (the track number will flash).

Press the scan button once again to cancel scan play.

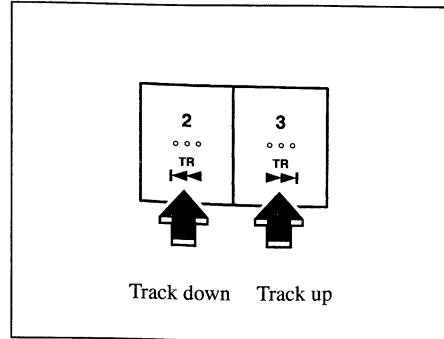
#### NOTE

If the unit is left in scan, normal play will resume where scan was selected.



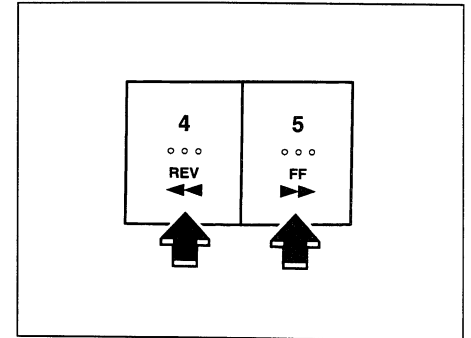
▼ Disc search (In-dash CD changer)

Press the disc up button ( ^ ) to skip forward to the beginning of the next CD. Press the disc down button ( v ) to skip back to the beginning of the previous CD.



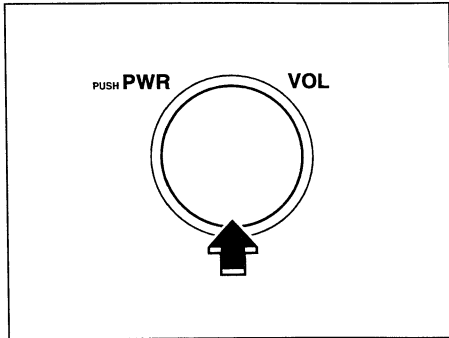
▼ Track search

Press the track up button once to skip forward to the beginning of the next track. Press the track down button once to skip back to the beginning of the current track.



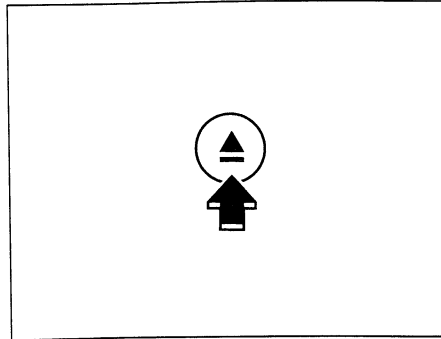
▼ Fast-forward/Reverse

Press and hold the fast-forward button to advance through a track at high speed. Press and hold the reverse button to reverse through a track at high speed.



▼ Stopping

Press the power/volume knob to stop CD play.



▼ Ejecting the CD  
(CD player)

Press the CD eject button to eject the CD.

▼ Ejecting the CD  
(In-dash CD changer)

Normal ejection

1. Press and hold the CD eject button for about 2 seconds until a beep is heard.
2. Press the channel preset button for the desired CD number within 5 seconds after the beep is heard.
3. Pull out the CD.

**NOTE**

When the CD is ejected during play:

- The next CD will be played automatically.
- “No Disc” will be displayed if no disc is in the tray.

**Multiple ejection**

1. Press and hold the CD eject button for about 2 seconds until a beep is heard.
2. Wait 5 seconds or press the CD eject button again within 5 seconds after the beep is heard.
3. Pull out the CD, then the next CD will be ejected.

<b>NOTE</b>
<ul style="list-style-type: none"><li>• CDs will be ejected starting with the one with the lowest number.</li><li>• All CDs in the tray will be ejected continuously.</li></ul>

**■ Error Indications**

If you see an error indication on the display, find the cause in the chart. If you cannot clear the error indication, take the vehicle to an Authorized Mazda Dealer.

## Driving Your Mazda

---

Indication	Cause	Solution
E01	CD mechanism problem	Consult an Authorized Mazda Dealer
E07	CD is inserted upside down	Insert the CD properly. If the code does not disappear, consult an Authorized Mazda Dealer
	CD is defective	Try another CD
E30	High temperature	Will disappear when the temperature returns to normal



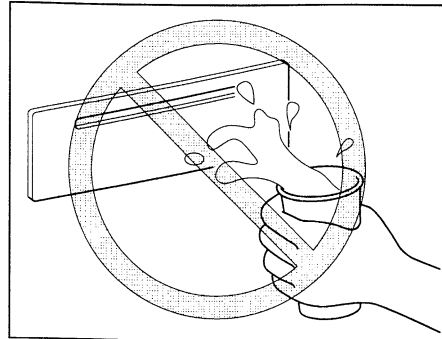
■ **Operating Tips for CD Player/In-Dash CD Changer**

▼ **Condensation phenomenon**

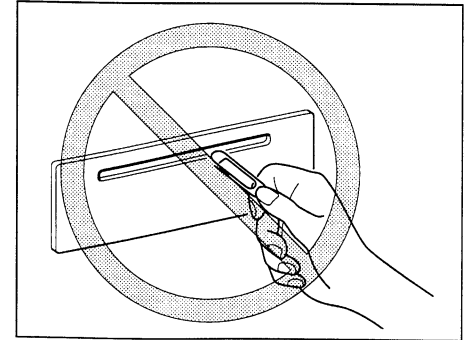
Immediately after turning on the heater when the vehicle is cold, the CD or optical components (prism and lens) in the CD player/changer may become clouded with condensation. At this time, the CD will eject immediately when placed in the unit. A clouded CD can be corrected simply by wiping it with a soft cloth. Clouded optical components will clear naturally in about an hour. Wait for normal operation to return before attempting to use the unit.

▼ **Handling the CD player/in-dash CD changer**

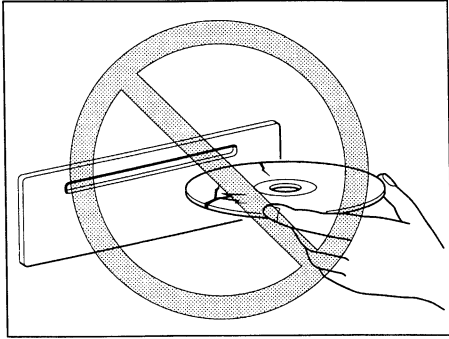
The following precautions should be observed.



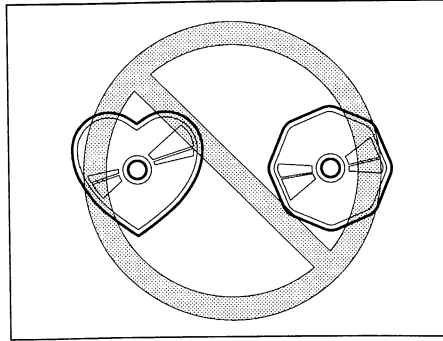
- Do not spill any liquid on the audio system.



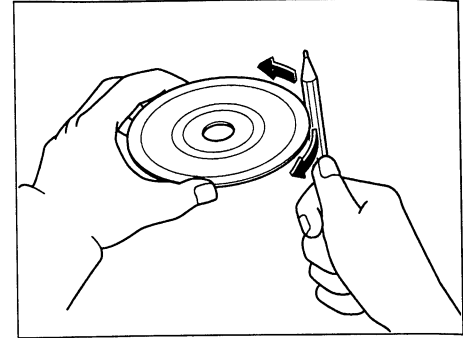
- Do not insert any objects, other than CDs, into the slot.



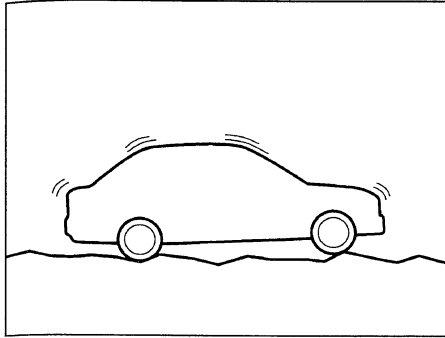
- The CD revolves at high speed within the unit. Defective (cracked or badly bent) CDs should never be used.



- Do not use non-conventional discs such as heart-shaped, octagonal discs, etc. The CD player/changer could be damaged.



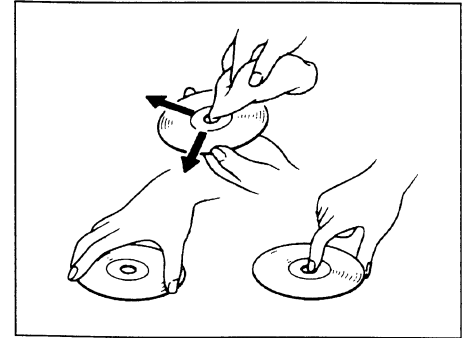
- A new CD may have rough edges on its inner and outer perimeters. If a disc with rough edges is used, proper setting will not be possible and the CD player/changer will not play the CD. Remove the rough edges in advance by using a ball-point pen or pencil as shown above. To remove the rough edges, rub the side of the pen or pencil against the inner and outer perimeter of the CD.



- When driving over uneven surfaces, the sound will jump.



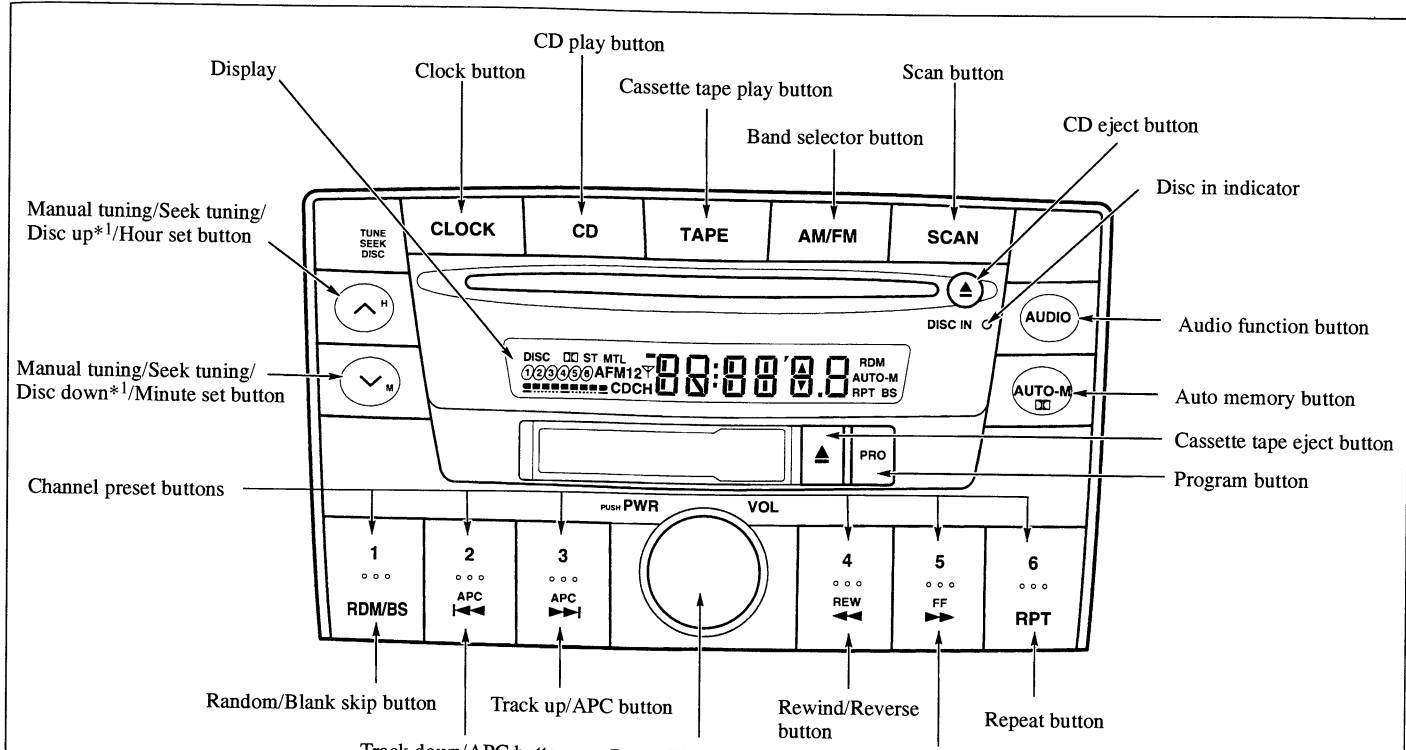
- The CD player/changer has been designed to play CDs bearing the identification logo as shown. No other discs can be played.



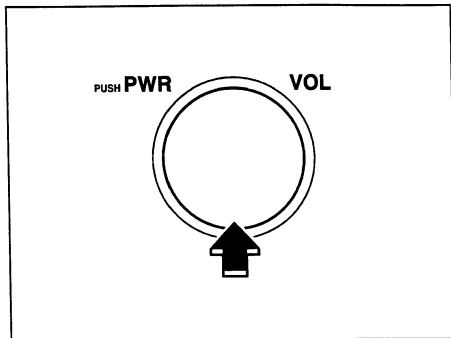
- Be sure never to touch the signal surface when handling the CDs. Pick up a CD by grasping the outer edge or the edge of the hole and the outer edge.
- Do not stick paper or tape on the CD. Avoid scratching the reverse side (the side without a label).

- Dust, finger smudges, and dirt can decrease the amount of light reflected from the signal surface, thus affecting sound quality. If the CD should become soiled, gently wipe it with a soft cloth from the center of the CD to the edge.
- Do not use record sprays, antistatic agents, or household spray cleaners. Volatile chemicals such as benzine and thinner can also damage the surface of the CD and must not be used. Anything that can damage, warp, or fog plastic should never be used to clean CDs.
- CDs, like traditional audio records, are made of plastic. To avoid warping, keep the CDs in their cases and do not store them where they will be exposed to direct sunlight.
- The CD player/changer ejects the CD if the CD is inserted upside down. Also dirty and/or defective CDs may be ejected.
- 8 cm (3 in) CDs and CD accessories (e.g. 8 cm disc adapter) cannot be used in the CD player/changer.
- Do not insert cleaning discs in the CD player/changer.
- Do not insert any disc with a peel-off or seal on it.

# AM/FM Radio with Cassette and Compact Disc Player\*



\*1 Use this button if a CD changer is connected to this unit.



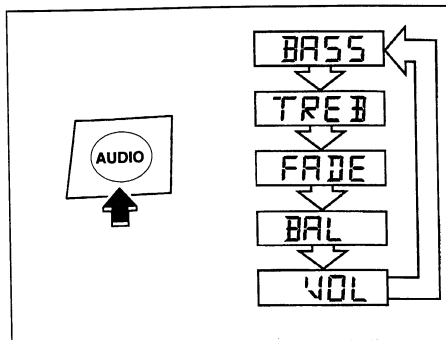
### ■ Power ON/OFF

Turn the ignition switch to the ACC or ON position.

Press the power/volume knob to turn the audio system on. Press the power/volume knob again to turn the audio system off.

### NOTE

To prevent the battery from being discharged, do not leave the audio system on for a long period when the engine is not running.

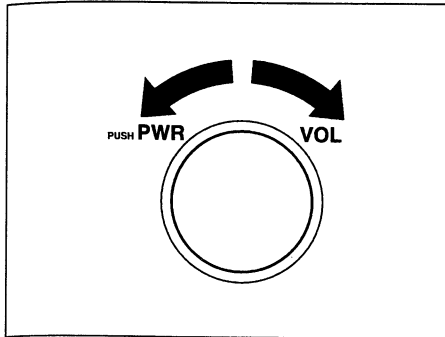


### ▼ Audio sound adjustment

1. Press the audio function button to select bass, treble, fade, balance, or volume control. The selected function will be indicated.

### NOTE

About 5 seconds after selecting any mode, the volume function will be automatically selected. To reset bass, treble, fade, and balance, press the audio function button for 2 seconds. The unit will beep and "CL" will be displayed.



2. Turn the power/volume knob to adjust the selected function; bass, treble, fade, balance, or volume.

**NOTE**

The volume can be adjusted without pressing the audio function button.

**Bass control**

To adjust the bass, select BASS by pressing the audio function button. BASS will be displayed.

Turn the power/volume knob to the right to increase bass, to the left to decrease it. The level will be displayed. Release the power/volume knob when the desired level has been reached.

**Treble control**

To adjust the treble, select TREB by pressing the audio function button. TREB will be displayed.

Turn the power/volume knob to the right to increase treble, to the left to decrease it. The level will be displayed. Release the power/volume knob when the desired level has been reached.

**Fader control**

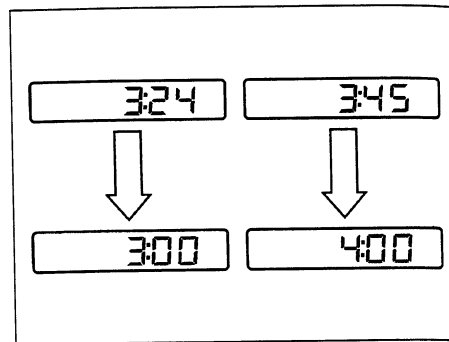
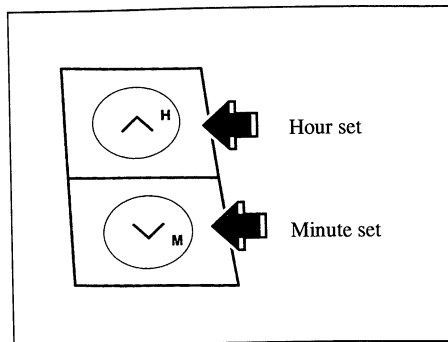
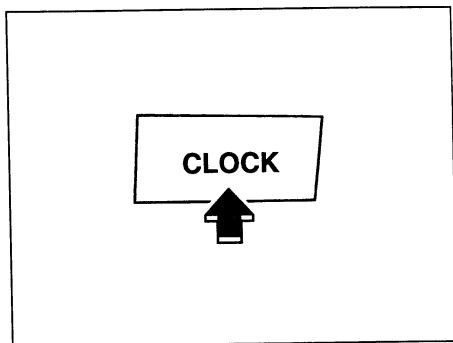
To adjust the sound distribution between front and rear speakers, select FADE by pressing the audio function button. FADE will be displayed.

Turn the power/volume knob to the right to shift the sound to the rear, to the left to shift the sound to the front. The level will be displayed. Release the power/volume knob when the desired level has been reached.

**Balance control**

To adjust the sound distribution between left and right speakers, select BAL by pressing the audio function button. BAL will be displayed.

Turn the power/volume knob to the right to shift the sound to the right, to the left to shift the sound to the left. The level will be displayed. Release the power/volume knob when the desired level has been reached.



■ Clock

▼ Setting the time

The clock can be set at any time when the ignition switch is in the ACC or ON position.

1. To adjust the time, press the clock button for about 2 seconds until a beep is heard.
2. The clock's current time will flash until the time is set.

3. To advance the hours, press the hour set button (  $\wedge$  ) to advance the minutes, press the minute set button (  $\vee$  ) while the time is flashing.
4. Press the clock button again to start the clock.

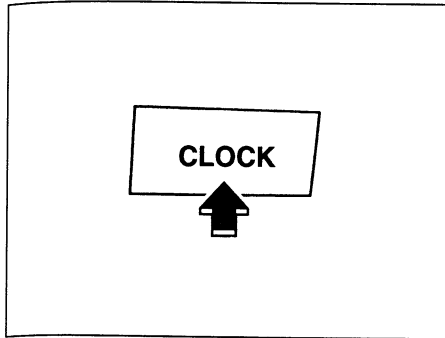
**NOTE**

If the power supply to the unit is interrupted (if the fuse blows or the vehicle's battery is disconnected), the clock will need to be reset.

**NOTE**

If the time is not adjusted while the clock's current time is flashing (if neither the  $\wedge$  nor  $\vee$  is pressed), and the clock button is pressed a second time, the minutes will be set to 00. If the clock's current time setting is within the latter part of the hour (from 30 to 59 min), the hour setting will automatically advance one hour.



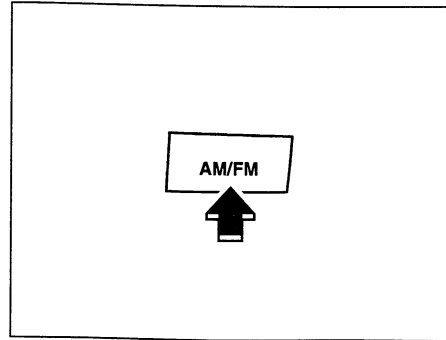


▼ **Changing the display mode**

The display on the unit can be changed by pressing the clock button. This alternates the display between clock and audio. When the clock mode has been selected, the time will be displayed.

**NOTE**

If audio operation is selected while the clock mode is on, the selected audio mode will be displayed for 10 seconds, then the display will revert to the clock mode.



■ **Operating the Radio**

To operate the radio, turn the ignition switch to the ACC or ON position.

▼ **Radio ON**

Press the band selector button to turn the radio on.

▼ **Band selection**

Press the band selector button to change FM1, FM2, and AM. The selected mode will be indicated. If FM stereo is being received, "ST" will be displayed.

**NOTE**

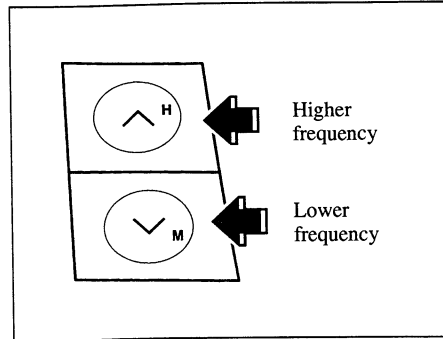
If the FM broadcast signal becomes weak, reception automatically changes from STEREO to MONO for reduced noise, and the "ST" indicator will go out.

### ▼ Tuning

The radio has five tuning methods: Manual, Seek, Scan, Preset channel, and Auto memory tuning. The easiest way to tune stations is to set them on preset channels.

#### NOTE

If the power supply is interrupted (fuse blows or the battery is disconnected), the preset channels will be canceled.



#### Manual tuning

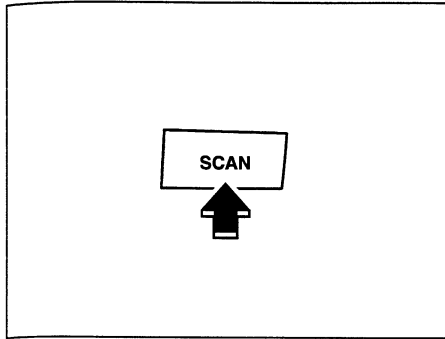
Pressing the manual tuning button will change to a higher or lower frequency.

#### Seek tuning

Pressing the seek tuning button for more than about half a second until a beep is heard will cause the tuner to seek a higher or lower frequency automatically.

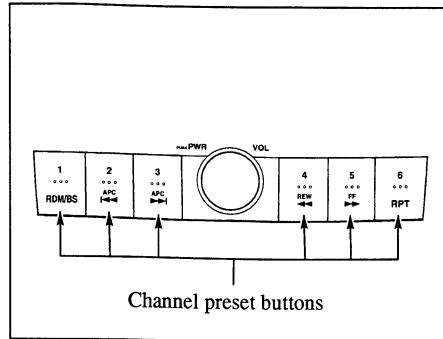
#### NOTE

If you continue to press and hold the button, the frequency will continue changing without stopping. Please release the button after the beep.



### Scan tuning

Press the scan button to automatically sample strong stations. Scanning stops at each station for about 5 seconds. To hold a station, merely press the scan button again during this interval.



### Preset channel tuning

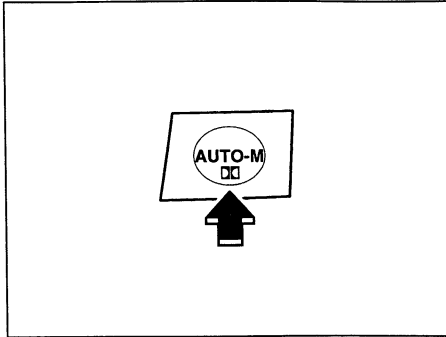
The six preset channels can be used to store 6 AM and 12 FM stations.

To set a channel first select AM, FM1, or FM2. Tune to the station you want and depress a channel preset button for about two seconds until a beep is heard. The preset channel number and station frequency will be displayed. The station is now held in the memory. Repeat this operation for the other stations and bands you want to store.

To tune one in the memory, select AM, FM1, or FM2 and then press its channel preset button. The station frequency and the channel number will be displayed.

### NOTE

If the power supply is interrupted (fuse blows or the battery is disconnected), the preset channels will be canceled.



### Auto memory tuning

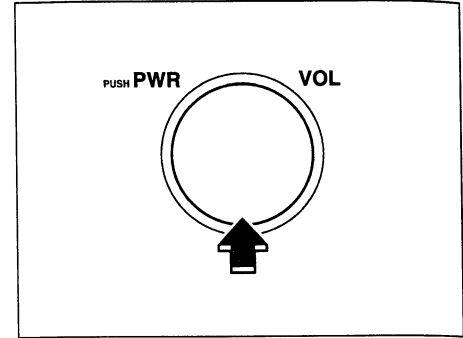
This is especially useful when driving in an area where the local stations are not known. Additional AM/FM stations can be stored without disturbing the previously set channels.

Press and hold the auto memory button for about 2 seconds until a beep is heard; the system will automatically scan and temporarily store the six strongest stations of each selected band in that area to the preset channels.

After scanning is completed, the strongest station will be tuned and its frequency displayed. Press the channel preset buttons to recall stations from the auto-stored stations. One stored station will be selected each time; its frequency and channel number will be displayed.

#### NOTE

If no stations can be tuned after scanning operations, "A" will be displayed.



### ▼ Radio OFF

Press the power/volume knob to turn off the radio.

#### NOTE

Press the power/volume knob again to listen to the frequency last tuned to.

### ■ Operating the Cassette Tape Player

To operate the cassette tape player, turn the ignition switch to the ACC or ON position.

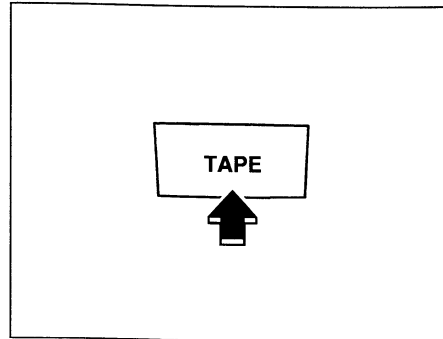
#### ▼ Cassette tape insert

Insert the cassette tape into the slot, open edge to the right and cassette tape will begin play and "TAPE" will be displayed. At the end of the cassette tape, the unit automatically reverses cassette tape play.

When ▲ is lit, the cassette tape's top side is playing. When ▼ is lit, the bottom side is on.

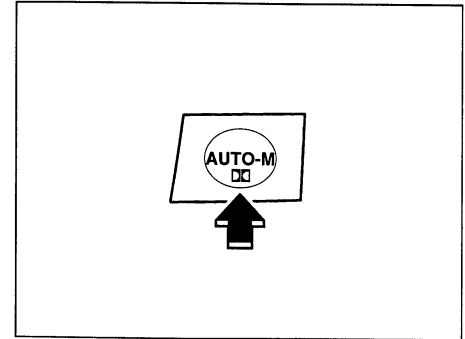
#### NOTE

When a metal tape is inserted, the player will automatically compensate for it and "MTL" will be displayed.





#### ▼ Playing


Press the cassette tape play button to start playing when a cassette tape is in the unit. If there isn't a cassette tape in the unit when the cassette tape play button is pressed, "NO TAPE" will flash on and off in sequence.

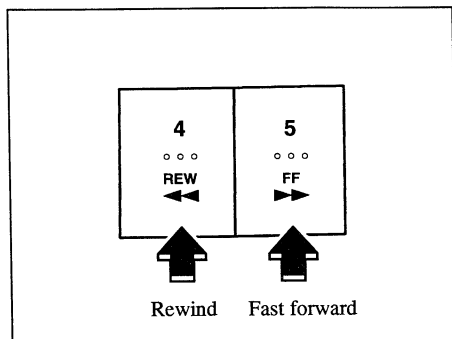


#### ▼ Dolby noise reduction

When using a tape with Dolby NR\*, push the  button. The  symbol will be displayed. To play a tape without Dolby NR, push the button once again.

\* Noise reduction system manufactured under license from Dolby Laboratories Licensing Corporation.

Dolby and the double-D symbol  are trademarks of Dolby Laboratories Licensing Corporation.

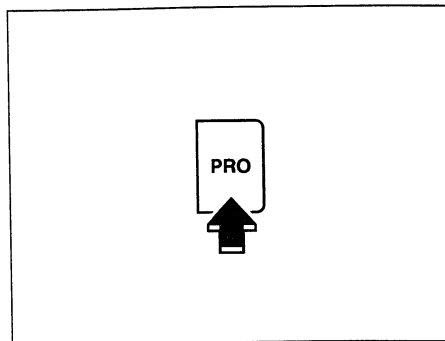


### ▼ Fast forward/Rewind

Press the fast-forward button to fast-forward.  
Press the rewind button to rewind.  
To stop this operation and play the cassette tape, press the button again.

#### NOTE

When the cassette tape ends during fast forward or rewind, it automatically stops and starts playing.

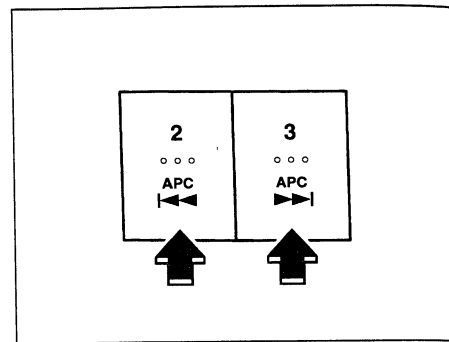


### ▼ Reversing

Press the program button to change cassette tape-playing direction.

#### NOTE

When the cassette tape ends, the unit automatically reverses play.



### ▼ APC (Automatic Program Control)

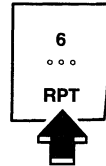
APC is used to find the beginning of either the next program or the one being played.

Press the APC button (▶▶) to the beginning of the next selection.  
Press the APC button (◀◀) to the beginning of the one being played.  
To stop this operation and play the cassette tape, press the button again.

**NOTE**

APC may not operate properly if

- A tape was recorded at a low level.
- A tape has long, silent intervals.
- A tape is a live recording.
- A tape has very short intervals of less than 3 seconds.

**NOTE**

RPT may not operate properly if

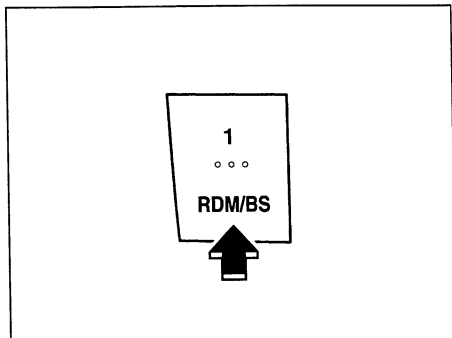
- A tape was recorded at a low level.
- A tape has long, silent intervals.
- A tape is a live recording.
- A tape has very short intervals of less than 3 seconds.

**▼ Repeat play**

This operation makes it possible to listen to a selection repeatedly.

Press the repeat button during play. The current selection playing will be repeated ("RPT" will be displayed).

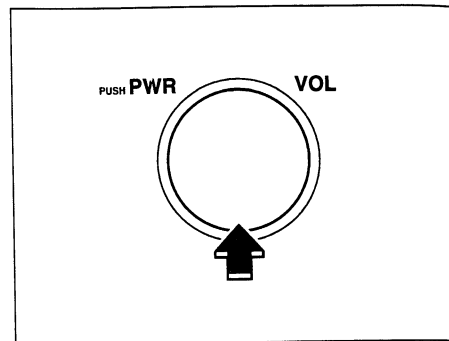
Press the repeat button once again to cancel repeat play.



### NOTE

BS may not operate properly if

- Noise is in an interval between songs.
- The song has a silent part which is 15 seconds long or longer.



### ▼ Blank skip

This feature makes it possible to automatically skip intervals between songs if the interval is 15 seconds long or longer.

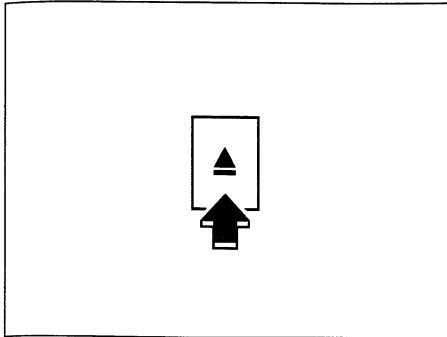
Press the blank skip button to set the blank skip ("BS" will be displayed).

Press the blank skip button once again to cancel the blank skip function.

### ▼ Stopping

Press the power/volume knob to stop cassette play.





**▼ Ejecting the cassette tape**

Press the cassette tape eject button to eject the cassette tape.

**NOTE**

The cassette tape can be ejected when the ignition switch is in the OFF position.

**■ Operating Tips for Cassette Tape player**

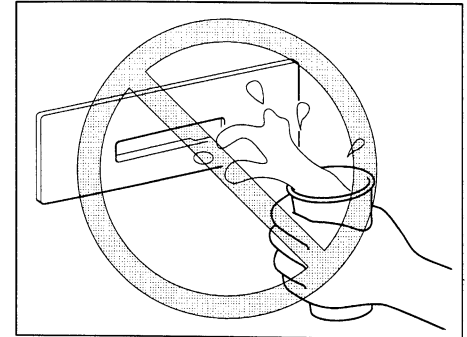
**▼ Cleaning the cassette tape player**

The tape head, capstans, and pinch rollers will gather oxide residue from cassette tapes. This can cause weak or wavering sounds and damage to the cassette tapes and player. Use a good quality head-cleaning tape or a liquid cleaner cassette tape to remove it.

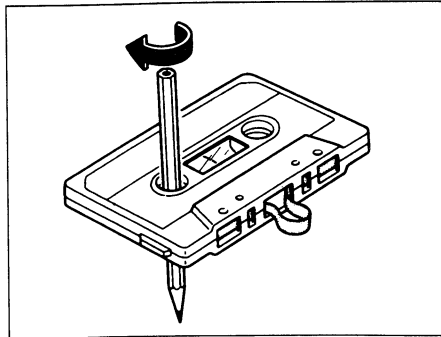
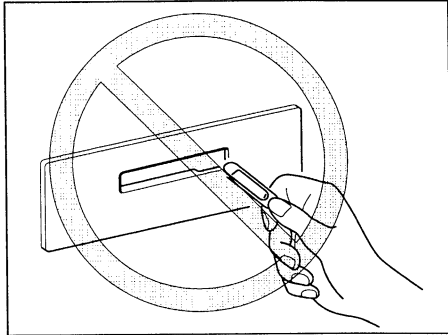
Should the unit not operate normally, consult an Authorized Mazda Dealer. Never attempt to repair it or insert a screwdriver or anything else.

**▼ Handling the cassette tape player**

The following precautions should be observed.



- Do not spill any liquid on the audio system.



- Do not insert any objects, other than cassette tape, into the slot.

- If the cassette tape is loose, it may produce poor sound or performance during playback. Use a pencil or something similar to remove any slack.
- Only cassette tapes that play no longer than 90 minutes should be used. Cassette tapes exceeding 90 minutes are thin and may easily break.
- Do not leave a cassette tape in the player slot when not in use. Remove it completely to permit the slot door to close and to protect the mechanism from dust.

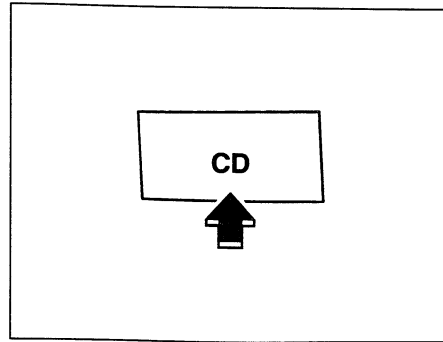
- Store cassette tapes away from extreme heat, magnetic fields, and direct sunlight. Protect the exposed cassette tape from dirt and damage. Store cassette tapes in their original cases or other protective cases.

## ■ Operating the Compact Disc (CD) Player

To operate the CD player, turn the ignition switch to the ACC or ON position.

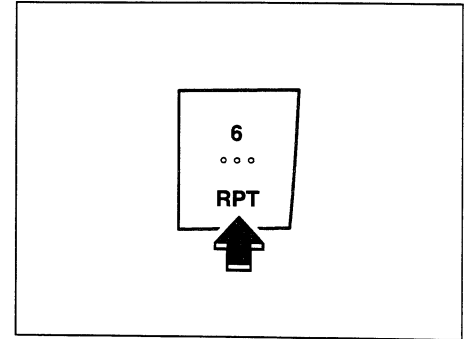
### ▼ Inserting the CD

Insert the CD into the slot, label-side up. The auto-loading mechanism will set the CD and begin play. There will be a short lapse before play begins while the player reads the digital signals on the CD. The disc in indicator will illuminate and the track number will be displayed.



### ▼ Playing

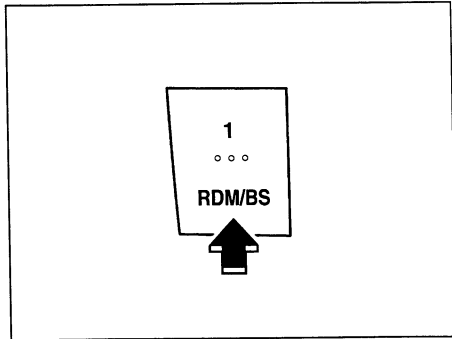
Press the CD play button to start playing when a CD is in the unit.



### ▼ Repeat play

This feature makes it possible to listen to a selection repeatedly.

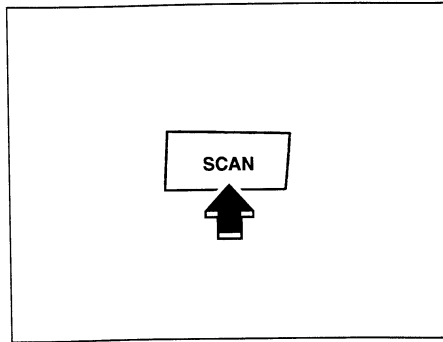
Press the repeat button during play. The current selection will be repeated ("RPT" will be displayed). Press the repeat button once again to cancel repeat play.



### ▼ Random play

This feature allows the CD player to randomly select the order of the songs.

Press the random button during play. The next selection will be randomly selected ("RDM" will be displayed). Press the random button once again to cancel random play.



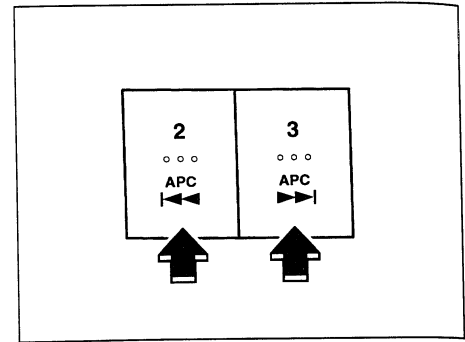
### ▼ Music scan

This feature helps to find a program by playing about the first 10 seconds of each track.

Press the scan button during play to start scan play operation (the track number will flash). Press the scan button once again to cancel scan play.

#### NOTE

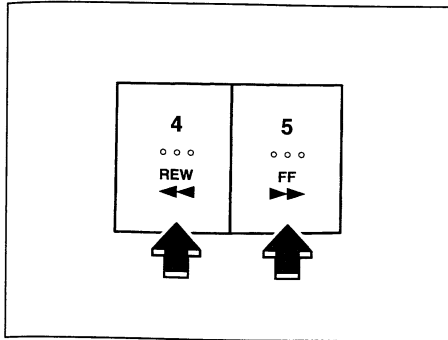
If the unit is left in scan, normal play will resume where scan was selected.



### ▼ Track search

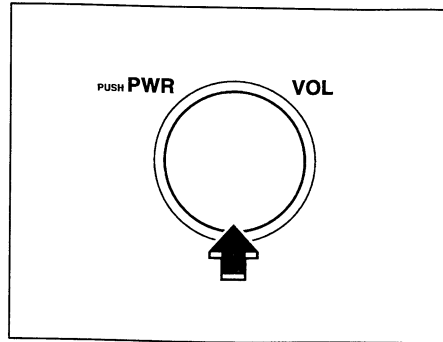
Press the track up button once to skip forward to the beginning of the next track.

Press the track down button once to skip back to the beginning of the current track.



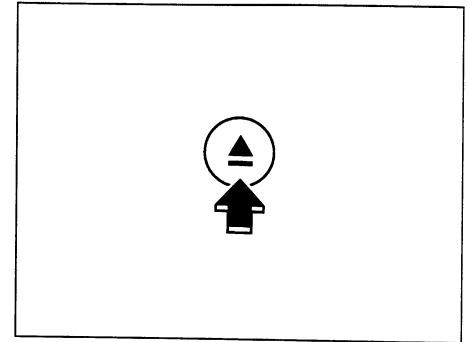
▼ Fast-forward/Reverse

Press and hold the fast-forward button to advance through a track at high speed. Press and hold the reverse button to reverse through a track at high speed.



▼ Stopping

Press the power/volume knob to stop CD play.



▼ Ejecting the CD

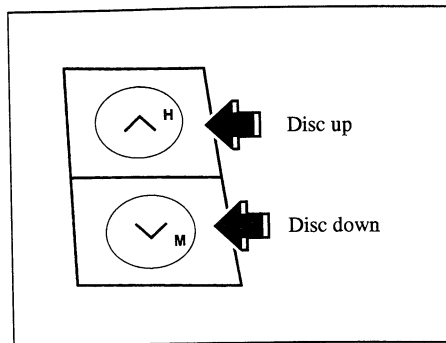
Press the CD eject button to eject the CD.

### ■ Operating the CD Changer with Controls on the Main Audio Unit\*

The CD changer can be connected to the unit and operated by the controls on the main audio unit. Regarding operation of the CD changer itself, please refer to the instructions attached to the changer.

#### NOTE

Operating the CD changer is generally the same as that of the CD player (pages 5-78-5-105).



#### ▼ Disc search

Press the disc up button ( ^ ) to skip forward to the beginning of the next CD. Press the disc down button ( v ) to skip back to the beginning of the previous CD.

### ■ Error Indications

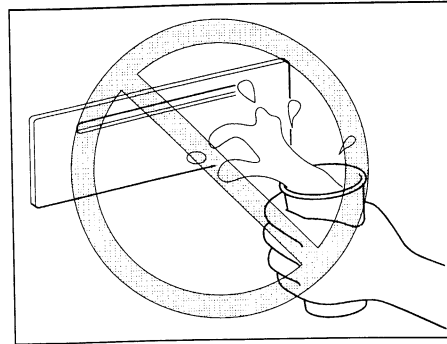
If you see an error indication on the display, find the cause in the chart. If you cannot clear the error indication, take the vehicle to an Authorized Mazda Dealer.

Indication	Cause	Solution
E01	CD mechanism problem	Consult an Authorized Mazda Dealer
E07	CD is inserted upside down	Insert the CD properly. If the code does not disappear, consult an Authorized Mazda Dealer
	CD is defective	Try another CD
E30	High temperature	Will disappear when the temperature returns to normal

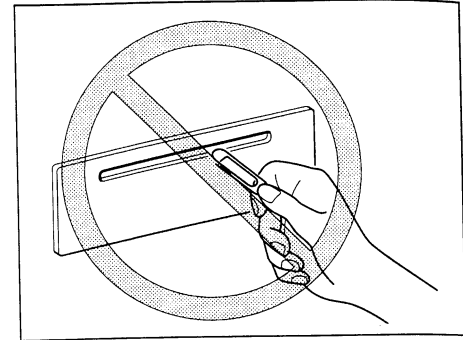
### ■ Operating Tips for CD Player

#### ▼ Condensation phenomenon

Immediately after turning on the heater when the vehicle is cold, the CD or optical components (prism and lens) in the CD player may become clouded with condensation. At this time, the CD will eject immediately when placed in the unit. A clouded CD can be corrected simply by wiping it with a soft cloth. Clouded optical components will clear naturally in about an hour. Wait for normal operation to return before attempting to use the unit.



- Do not spill any liquid on the audio system.

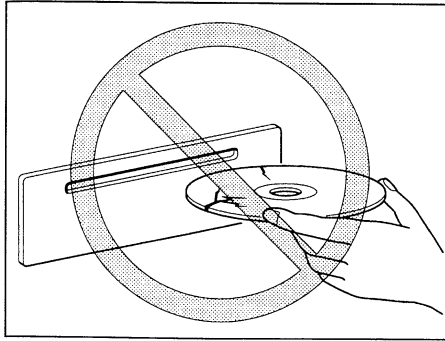


- Do not insert any objects, other than CDs, into the slot.

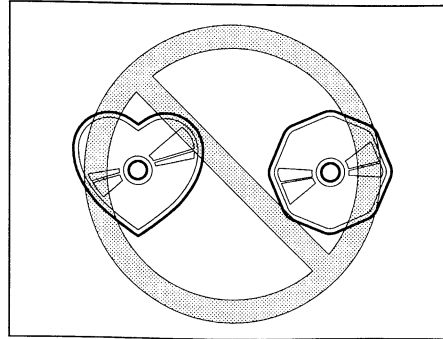
#### ▼ Handling the CD player

The following precautions should be observed.

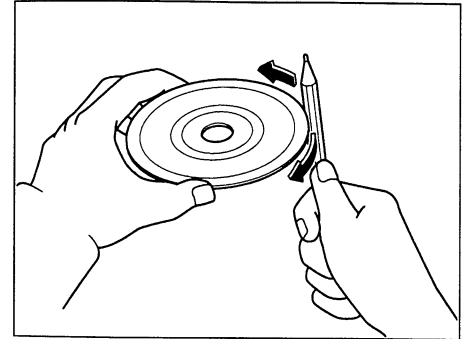




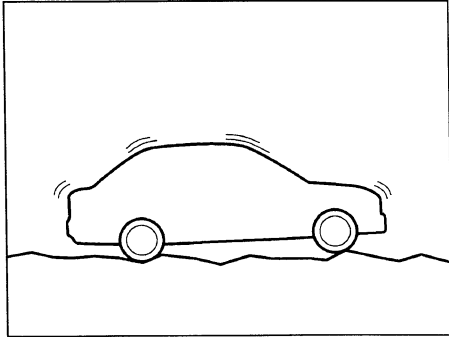
- The CD revolves at high speed within the unit. Defective (cracked or badly bent) CDs should never be used.



- Do not use non-conventional discs such as heart-shaped, octagonal discs, etc. The CD player could be damaged.



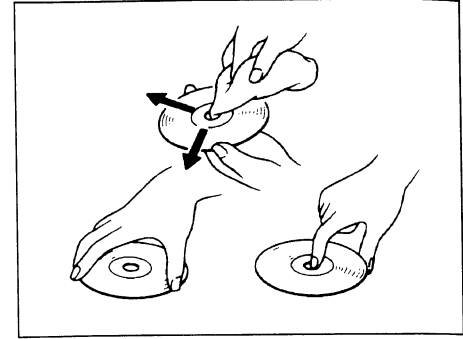
- A new CD may have rough edges on its inner and outer perimeters. If a disc with rough edges is used, proper setting will not be possible and the CD player will not play the CD. Remove the rough edges in advance by using a ball-point pen or pencil as shown above. To remove the rough edges, rub the side of the pen or pencil against the inner and outer perimeter of the CD.



- When driving over uneven surfaces, the sound will jump.



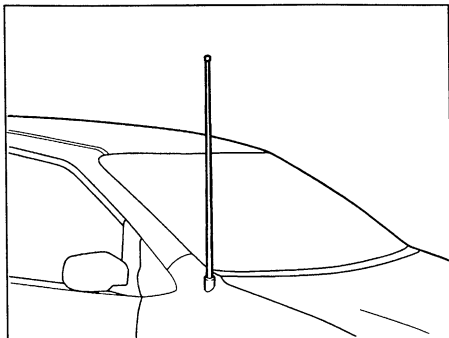
- The CD player has been designed to play CDs bearing the identification logo as shown. No other discs can be played.



- Be sure never to touch the signal surface when handling the CDs. Pick up a CD by grasping the outer edge or the edge of the hole and the outer edge.
- Do not stick paper or tape on the CD. Avoid scratching the reverse side (the side without a label).

- Dust, finger smudges, and dirt can decrease the amount of light reflected from the signal surface, thus affecting sound quality. If the CD should become soiled, gently wipe it with a soft cloth from the center of the CD to the edge.
- Do not use record sprays, antistatic agents, or household spray cleaners. Volatile chemicals such as benzine and thinner can also damage the surface of the CD and must not be used. Anything that can damage, warp, or fog plastic should never be used to clean CDs.
- CDs, like traditional audio records, are made of plastic. To avoid warping, keep the CDs in their cases and do not store them where they will be exposed to direct sunlight.
- The CD player ejects the CD if the CD is inserted upside down. Also dirty and/or defective CDs may be ejected.
- 8 cm (3-in) CDs and CD accessories (e.g. 8 cm disc adapter) cannot be used in the CD player.
- Do not insert cleaning discs in the CD player.
- Do not insert any disc with a peel-off or seal on it.

## Antenna



### NOTE

When leaving your vehicle unattended, we recommend that you remove the antenna and store it inside the vehicle.

To remove the antenna, turn it counterclockwise.

To install the antenna, turn it clockwise.

Make sure the antenna is securely installed.

### CAUTION

To prevent from damaging the antenna, remove it before entering a car wash facility or passing beneath a low overhead clearance.

# 6

## In Case of an Emergency

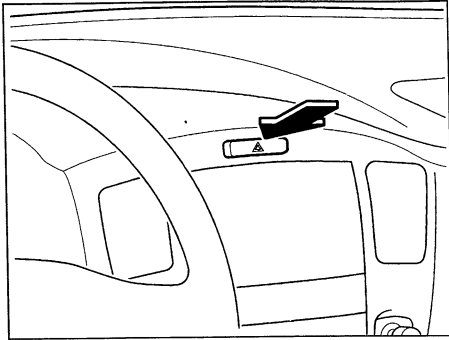
*Because an emergency can occur anytime, we strongly urge you to become familiar with this section of your manual. It provides helpful information on what to do if the engine overheats, if you have a flat tire, and if the battery is discharged.*

*You will also find out what to do if you confront a problem in the electrical system; and, there's some guidance on the correct way to tow your Mazda.*

Hazard Warning Flasher	6- 2
Overheating	6- 2
Emergency Starting	6- 4
Fuses	6- 6
Towing	6-13
Flat Tire	6-15

## In Case of an Emergency

### Hazard Warning Flasher



#### NOTE

- The turn signals don't work when the hazard warning lights are on.
- Check local regulations about the use of hazard warning lights while the vehicle is being towed. They may forbid it.

The hazard warning lights warn other drivers that your vehicle is a traffic hazard and that they must take extreme caution when near it.

The hazard warning lights should always be used when you stop on or near a roadway.

Depress the hazard warning switch and all four turn signals will flash at once.

### Overheating

If the temperature gauge indicates overheating, you experience power loss, or you hear a loud knocking or pinging noise, the engine is probably too hot.

If this happens:

1. Drive safely to the side of the road and park off the right-of-way.
2. Shift into park (P). Apply the parking brake.
3. Turn off the air conditioner.

 **WARNING**

**Steam from Overheated Engine:**  
***Steam from an overheated engine is dangerous. The escaping steam could seriously burn you. Open the hood ONLY after steam is no longer escaping from the engine.***

4. Check whether coolant or steam is escaping from under the hood or from the engine compartment.

If steam is coming from the engine compartment, don't go near the front of the vehicle. Stop the engine. Then turn the ignition switch to the ON position without starting the engine. The radiator cooling fans will start to cool the engine.

If neither coolant nor steam is escaping, open the hood and idle the engine until it cools. If this doesn't lower the temperature, stop the engine and let it cool.

5. Check the coolant level.  
If it's low, look for leaks in the radiator hoses and connections, heater hoses and connections, radiator, and water pump.  
If you find a leak or other damage, or if coolant is still leaking, stop the engine and call an Authorized Mazda Dealer.

If you find no problems, the engine is cool, and no leaks are obvious, carefully add coolant as required (page 8-14).

 **WARNING**

**Cooling System Cap:**  
***When the engine and radiator are hot, scalding coolant and steam may shoot out under pressure and cause serious injury. Don't remove the cooling system cap when the engine and radiator are hot.***

 **CAUTION**

If the engine continues to overheat or frequently overheats, have the cooling system inspected. The engine could be seriously damaged unless repairs are made.

## Emergency Starting

### ■ Jump-Starting

Jump-starting is dangerous if done incorrectly. So follow the procedure carefully. If you feel unsure about jump-starting, we strongly recommend that you have a competent service technician do the work.

#### CAUTION

Use only a 12 V booster system. You can damage a 12 V starter motor, ignition system, and other electrical parts beyond repair with a 24 V power supply (two 12 V batteries in series or a 24 V motor generator set).

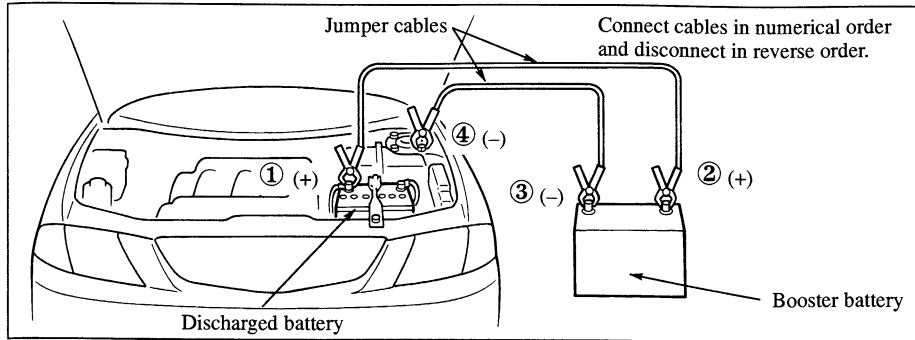
#### WARNING

**Battery-Related Explosion:**  
*Flames and sparks near open battery cells are dangerous. Hydrogen gas, produced during normal battery operation, could ignite and cause the battery to explode. An exploding battery can cause serious burns and injuries. Keep all flames, including cigarettes, and sparks away from open battery cells.*

#### WARNING

**Jump-Starting:**  
*Jump-starting a frozen battery or one with a low fluid level is dangerous. It may rupture or explode, causing serious injury. Don't jump-start a frozen battery or one with a low fluid level.*





1. Make sure the booster battery is 12 V and that its negative terminal is grounded.
2. If the booster battery is in another vehicle, don't allow the vehicles to touch. Turn off the engine of the vehicle with the booster battery and all unnecessary electrical loads in both vehicles.
3. Connect the jumper cables in the exact sequence as in the illustration.
  - (1) Connect one end of a cable to the positive terminal on the discharged battery ①.
  - (2) Attach the other end to the positive terminal on the booster battery ②.
  - (3) Connect one end of the other cable to the negative terminal of the booster battery ③.
  - (4) Connect the other end to a solid, stationary, exposed metallic point (for example, the strut mounting bolt) away from the discharged battery ④.
4. Start the engine of the booster vehicle and run it a few minutes. Then start the engine of the other vehicle.
5. When finished, carefully disconnect the cables in the reverse order described in Step 3.

**⚠ WARNING**

**Connecting to Negative Terminal:**  
 Connecting the end of the second cable to the negative (-) terminal of the discharged battery is dangerous. A spark could cause the gas around the battery to explode and injure someone. Connect the cable to a point away from the battery.

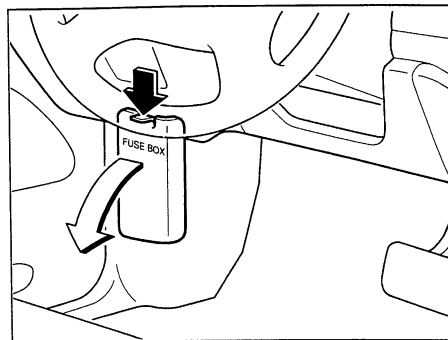
**⚠ WARNING**

**Connecting Jumper Cable to a Moving Part:**  
 Connecting a jumper cable near or to a moving part is dangerous. The cable could get caught when the engine starts and cause serious injury. Never connect a jumper cable to or near any part that moves.

### Fuses

#### ■ Push-Starting

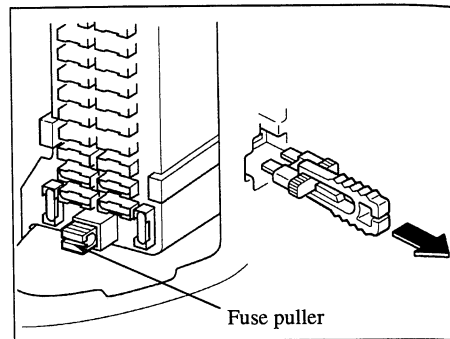
You can't start a vehicle with an automatic transaxle by pushing it.



Your vehicle's electrical system is protected by fuses.

If any lights, accessories, or controls don't work, inspect the appropriate circuit protector. If a fuse has blown, the inside element will be melted.

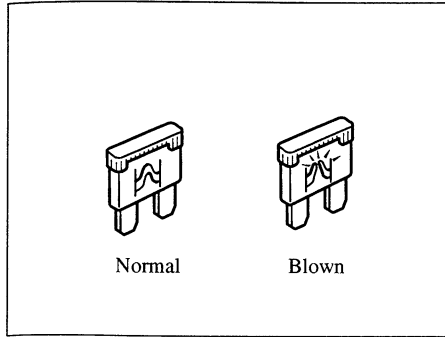
If the same fuse blows again, avoid using that system and consult an Authorized Mazda Dealer as soon as possible.



#### ■ Fuse Replacement

If the electrical system doesn't work, first inspect fuses on the driver's side.

1. Turn off the ignition switch and other switches.
2. Open the fuse panel.
3. Pull the fuse straight out with the fuse puller provided on the fuse panel.



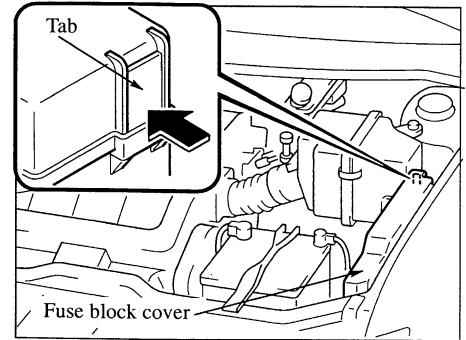
4. Inspect it and replace if it's blown.

5. Push in a new fuse of the same rating, and make sure it fits tightly. If it doesn't, have an Authorized Mazda Dealer install it.

If you have no spare fuses, borrow one of the same rating from a circuit not essential to vehicle operation, such as the AUDIO circuit.

**⚠ CAUTION**

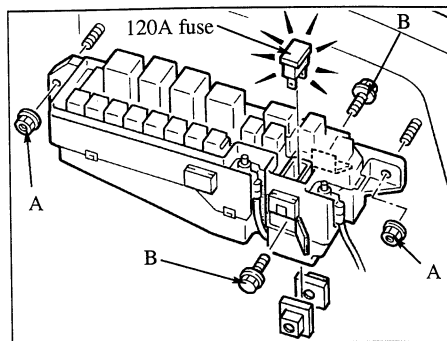
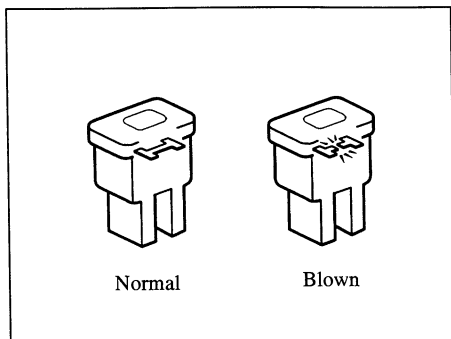
Always replace a fuse with one of the same rating. Otherwise you may damage the electric system.



If the headlights or other electrical components don't work and the fuses in the cabin are OK, inspect the fuse block under the hood. If a fuse is blown, it must be replaced. Follow these steps:

1. Turn off the ignition switch and all other switches.
2. To remove the fuse block cover, unhook it and lift up on the side with the tab.

## In Case of an Emergency

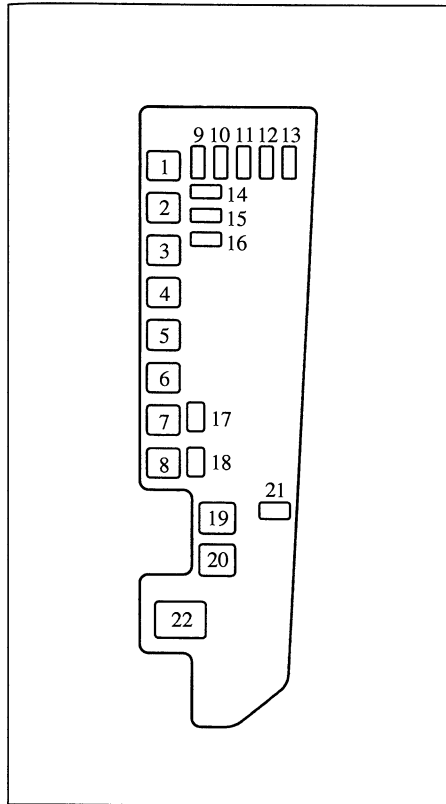


3. If a fuse is blown, replace it with a new one **of the same rating.**

When replacing the 120A fuse:

1. Turn off the ignition switch.
2. Remove the negative battery terminal.
3. Remove the A nuts.
4. Lift the fuse block and remove the B bolts.
5. Replace the fuse with a new one **of the same rating.**
6. Install in the reverse order of removal.

■ Fuse Panel Description



▼ Fuse block (Engine compartment)

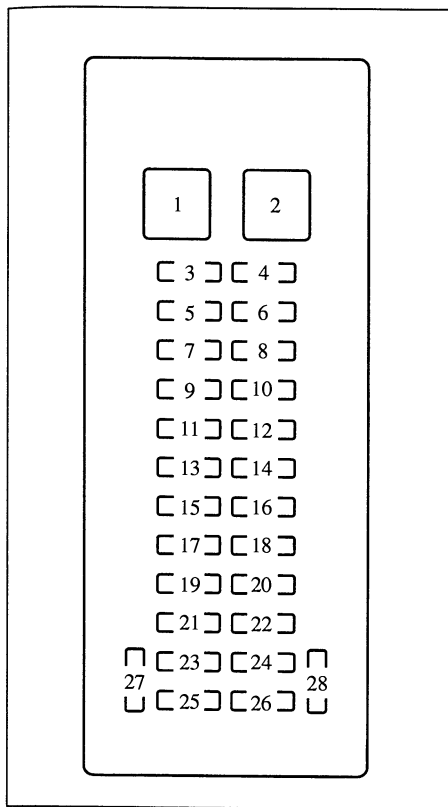
DESCRIPTION	FUSE RATING	PROTECTED COMPONENT
1	40A	Rear window defroster
2	40A	STOP, HAZARD, ROOM, D.LOCK and DRL fuses
3	30A	Cooling fan
4	40A	Heater
5	30A	Rear heater*, For protection of various circuits
6	40A	METER, ENGINE and WIPER fuses
7	40A	A/C, P.WIND, SUN ROOF and R.WIP fuses
8	30A	Cooling fan
9	10A	Air conditioner*, For protection of various circuits*
10	15A	Taillights
11	—	—
12	15A	Horn
13	15A	For protection of various circuits
14	—	—
15	15A	Headlight-left
16	15A	Headlight-right
17	—	—
18	—	—
19	60A	Antilock brake system*, For protection of various circuits

\*Some models.

## In Case of an Emergency

---

DESCRIPTION		FUSE RATING	PROTECTED COMPONENT
20	ENGINE	30A	Engine control system
21	—	—	—
22	MAIN	120A	For protection of all circuits



▼ Fuse panel (Driver's side)

	DESCRIPTION	FUSE RATING	PROTECTED COMPONENT
1	WIPER	20A	Windshield wipers and washer
2	(P.WIND)	30A	Power windows*, For protection of various circuits*
3	(SUN ROOF)	15A	Sunroof*, For protection of various circuits*
4	R.WIP	10A	Rear window wiper and washer
5	(SEAT)	15A	For protection of various circuits*
6	(M.DEF)	10A	Mirror defroster*, For protection of various circuits*
7	(A/C)	10A	Air conditioner*, For protection of various circuits*
8	(DRL)	10A	For protection of various circuits*
9	—	—	—
10	(H/CLEAN)	20A	For protection of various circuits*
11	—	—	—
12	HAZARD	10A	Hazard warning
13	ROOM	10A	Interior lights, Liftgate light
14	(AUX POWER)	15A	Accessory socket
15	(CLOSER LH)	15A	For protection of various circuits*
16	(AUDIO)	10A	Audio system*, For protection of various circuits*
17	(D.LOCK)	30A	Power door locks*, For protection of various circuits*
18	—	—	—
19	ENGINE	10A	Engine control system

\*Some models.

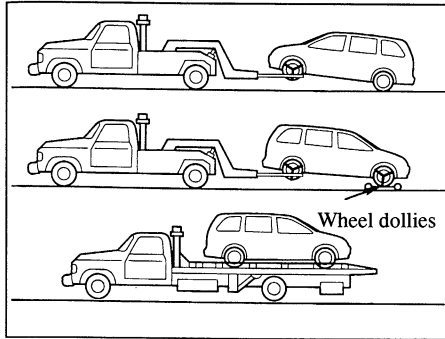
## In Case of an Emergency

---

DESCRIPTION		FUSE RATING	PROTECTED COMPONENT
20	METER	10A	Instrument cluster
21	STOP	15A	Brake lights
22	(CLOSER RH)	15A	For protection of various circuits*
23	(ACC. DELAY)	30A	Power windows delay*, For protection of various circuits*
24	METER	15A	Instrument cluster, INHswitch
25	(ST.SIGN)	10A	Starter signal
26	CIGAR	15A	Lighter*
27	—	—	—
28	—	—	—



## Towing

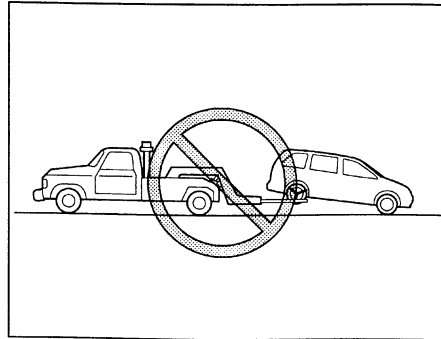


We recommend that towing be done only by an Authorized Mazda Dealer or a commercial tow-truck service.

Proper lifting and towing are necessary to prevent damage to the vehicle. State and local laws must be followed.

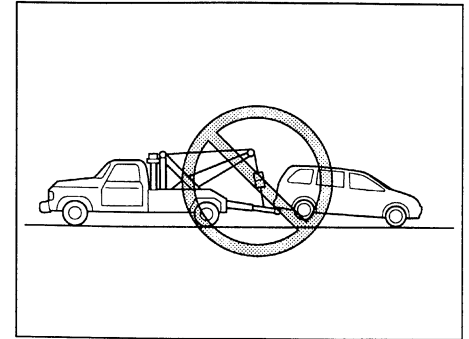
A towed vehicle usually should have its front wheels off the ground. If excessive damage or other conditions prevent this, use wheel dollies.

When towing with the rear wheels on the ground, release the parking brake.



### CAUTION

Don't tow the vehicle backward with driving wheels on the ground. This may cause internal damage to the transaxle.

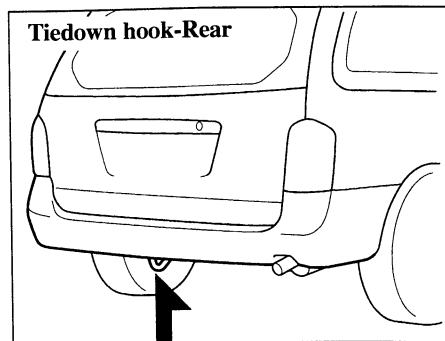
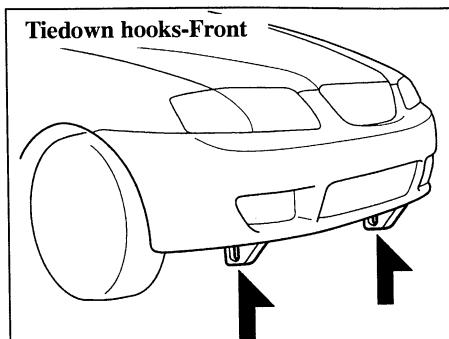


### CAUTION

Don't tow with sling-type equipment. This could damage your vehicle. Use wheel-lift or flatbed equipment.

## In Case of an Emergency

---

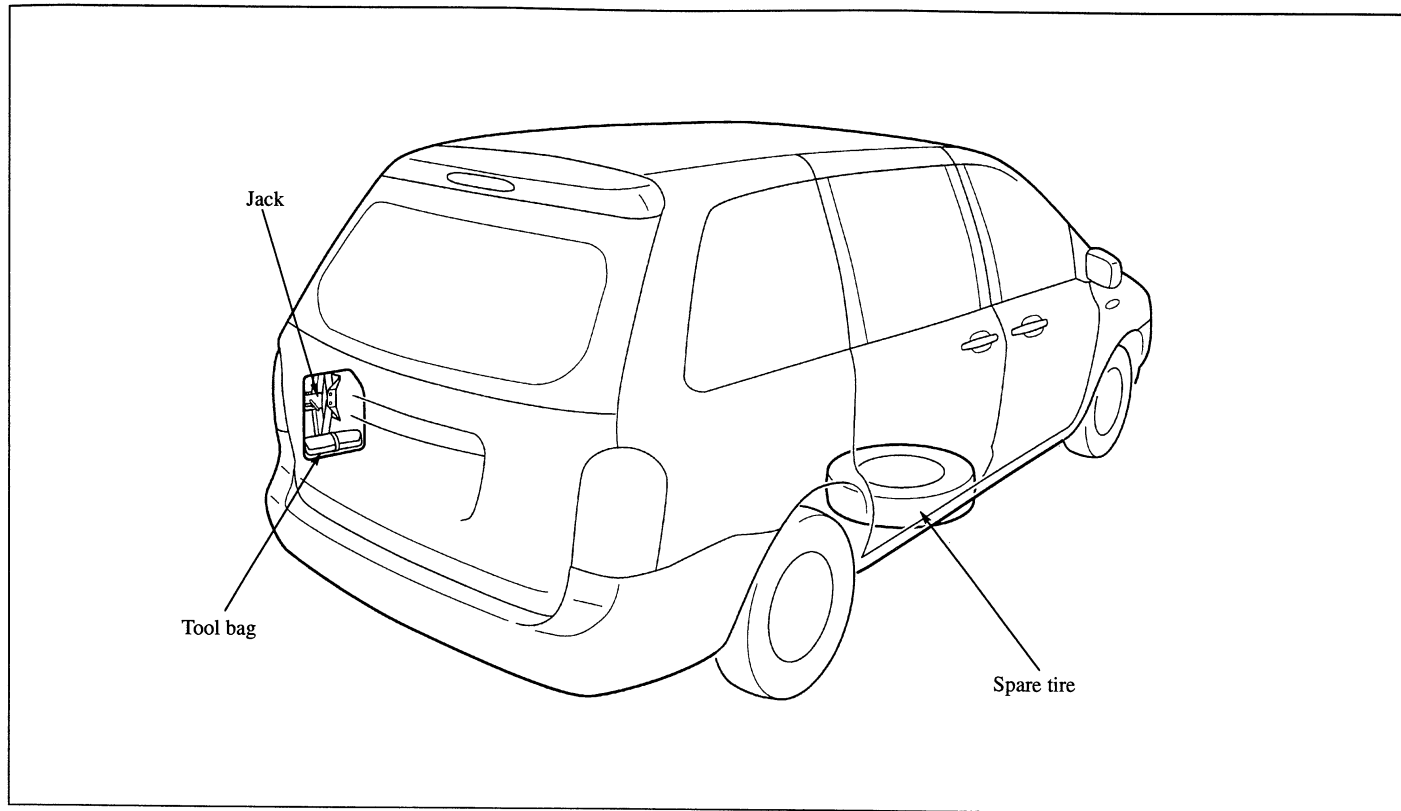


### **CAUTION**

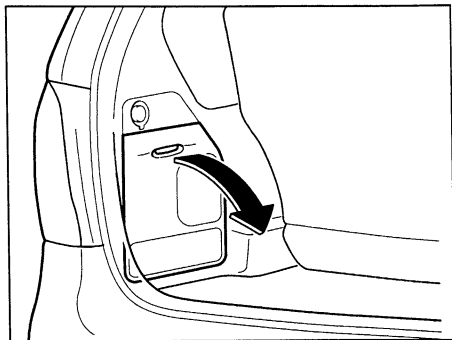
Don't use the hook loops under the front and rear for towing. They are designed **ONLY** for tying down the vehicle when it's being transported. Using them for towing will damage the bumper.

## Flat Tire

### ■ Tire, Jack and Tool Storage

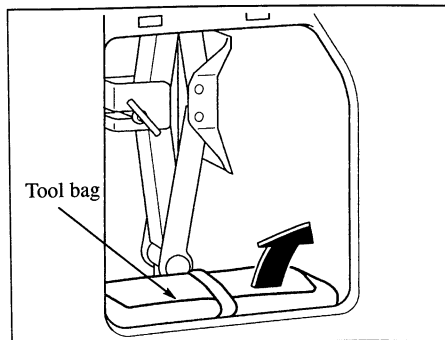


## In Case of an Emergency

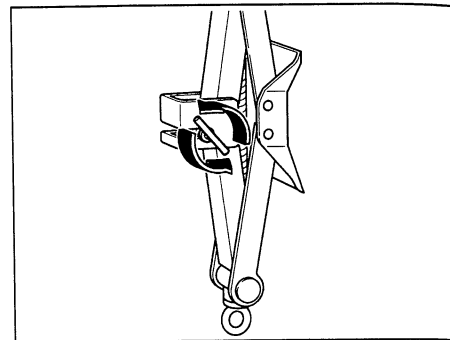


### ▼ To remove the jack and tool

1. Remove the access panel from the trim on the left side of the luggage compartment.



2. Remove the tool bag.



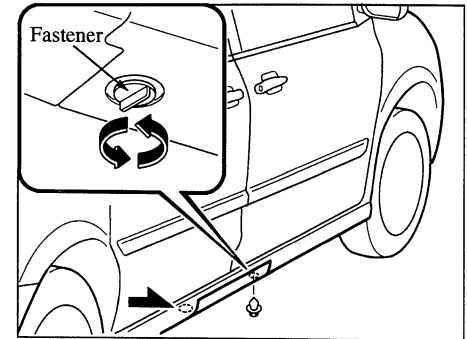
3. Turn the wing bolt counterclockwise to free the jack.

▼ To secure the jack and tool

Perform the removal procedure in reverse.

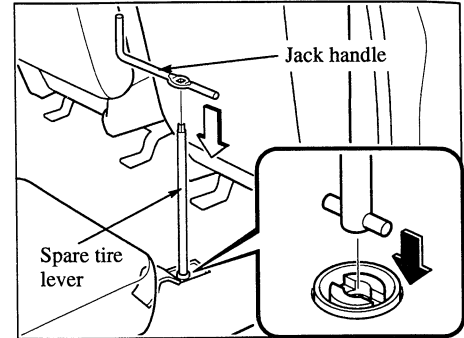
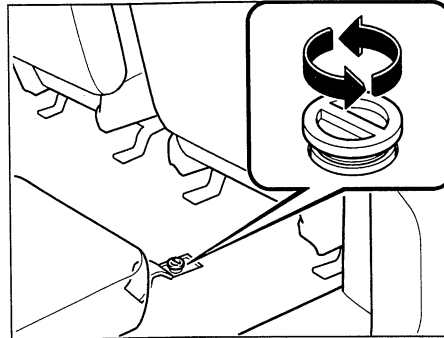
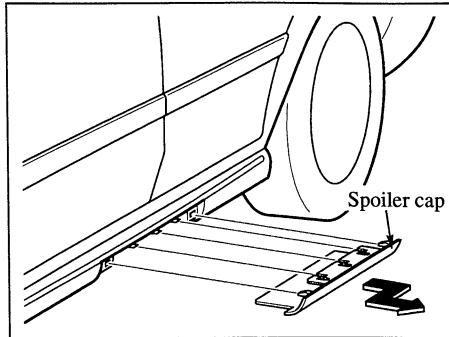
▼ To remove the spare tire

1. Have everyone get out of the vehicle and away from the vehicle and traffic.



2. Side-spoiler equipped vehicle.  
Remove the fasteners on both sides of the spoiler cap by turning them counterclockwise.  
Pull the spoiler cap out and to the left.

## In Case of an Emergency



### NOTE

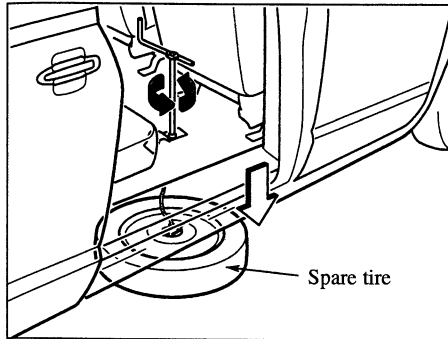
- Install the side spoiler cap in reverse order of removal.
- After installing the side spoiler cap, make sure it is securely attached.

3. Locate the spare tire carrier socket cap on the right, in front of the second-row seat. Unscrew it by turning it counterclockwise.

4. Remove the spare tire lever and jack handle from the tool bag.

5. Raise the reclining lever and lower the seatback forward. Make sure the seatback is locked.

6. Insert the spare tire lever into the spare tire carrier socket. Fit the jack handle to the opposite end of the spare tire lever.



7. Slowly turn the handle counterclockwise until the spare tire reaches the ground and the cable becomes loose.

**⚠ CAUTION**

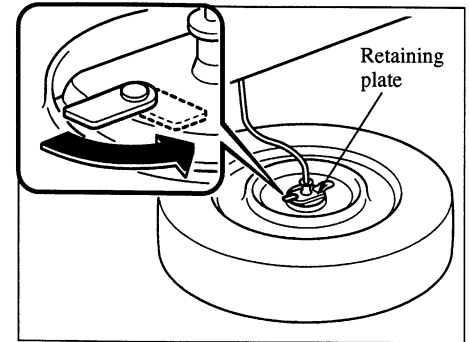
Turning the jack handle without reclining the seat could damage the seatback.

**NOTE**

The spare tire lever remains locked in the socket while the spare tire is being lowered.  
Unless the cable is rolled up completely, the spare tire lever cannot be removed from the socket.

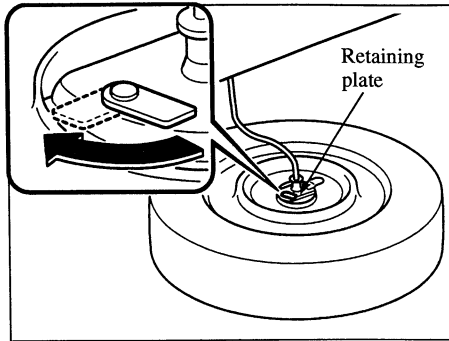
**⚠ CAUTION**

Applying excessive lateral force while the spare tire lever is attached may result in damage to the socket.



8. Rotate the small lever on top of the retaining plate and pull the retaining plate out from the center hole of the tire.

## In Case of an Emergency



### ▼ To secure the spare tire

1. Place the tire facing upward, rotate the small lever on top of the retaining plate and slide the retaining plate through the center hole of the tire. Rotate the small lever into place.

2. Raise the spare tire slowly in reverse order of removal.

### NOTE

Unless the cable is rolled up completely, the spare tire lever cannot be removed from the socket.

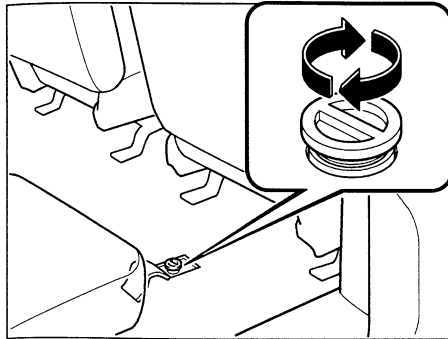
### ⚠ CAUTION

Applying excessive lateral force while the spare tire lever is attached may result in damage to the socket.

### ⚠ CAUTION

Place the specialized temporary spare tire in the spare tire carrier correctly. Placing the specialized temporary spare tire wrong side up or using any tire other than the small temporary spare tire designed for use with this vehicle will result in poor attachment in the spare tire carrier and insufficient ground clearance in the spare tire carrier and the danger of the tire falling off.





3. Replace the spare tire carrier cap in the socket and turn it until the spare tire is pulled up tight.

**⚠ CAUTION**

If you hear rattling from the spare tire carrier while the vehicle is moving, the spare tire carrier cable may be cut. Have it repaired at an Authorized Mazda Dealer as soon as possible.

**⚠ CAUTION**

When the spare tire carrier socket cap is screwed completely tight, the spare tire is locked in the highest position. If the spare tire carrier socket cap is not screwed completely tight and the cable is by chance cut, the spare tire could fall off.

■ **Changing a Flat Tire**

**NOTE**

If the following occurs while driving, it could indicate a flat tire.

- Steering becomes difficult.
- The vehicle begins to vibrate excessively.
- The vehicle pulls in one direction.

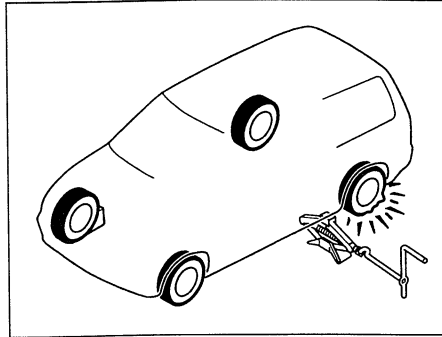
If you have a flat tire, drive slowly to a level spot that is well off the road and out of the way of traffic to change the tire. Stopping in traffic or on the shoulder of a busy road is dangerous.

**⚠ WARNING**

***Jacking a Vehicle:***

***Changing a tire is dangerous if not done properly. The vehicle can slip off the jack and seriously injure someone.***

***Be sure to follow the directions for changing a tire, and never get under a vehicle that is supported only by a jack.***



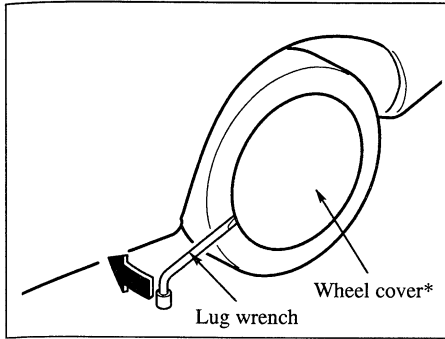
To change a flat tire, follow procedure 1 through 20 carefully.

1. Park on a level surface off the right-of-way and firmly set the parking brake.
2. Shift into park (P) and turn off the engine.

3. Turn on the hazard warning flasher.
4. Have everyone get out of the vehicle and away from the vehicle and traffic.
5. Remove the jack and, from the tool bag, the jack handle, jack lever, lug wrench, special vinyl bag, flat tire securing bolt, tire clamp and wing nut. Then remove the spare tire.
6. Block the wheel diagonally opposite the flat tire. When blocking a front wheel, place the block behind the tire. When blocking a rear wheel, place the block behind the tire.

**⚠ CAUTION**

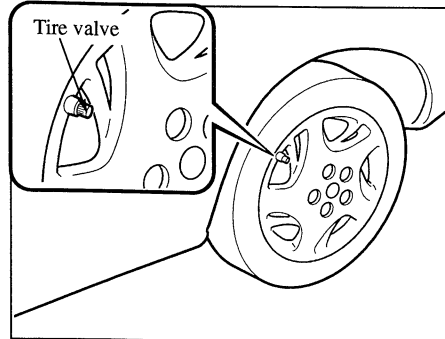
If the jack leans towards the front when jacking up, lower the vehicle until the wheels are firmly on the ground and replace the block from the rear to the front side of the tire.



7. Pry off the wheel cover\* with the beveled end of the lug wrench.

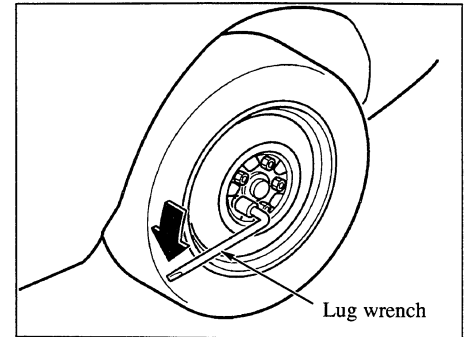
**NOTE**

Force the end of the wrench firmly between wheel and cover, or removal will be difficult.

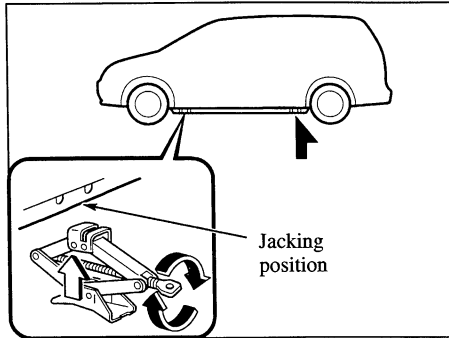


**⚠ CAUTION**

When installing the wheel cover, align the notch with the tire valve.



8. Loosen the lug nuts by turning them counterclockwise one turn each, but don't remove any until the tire has been raised off the ground.



9. Place the jack under the jacking position closest to the tire being changed.

**⚠ WARNING**

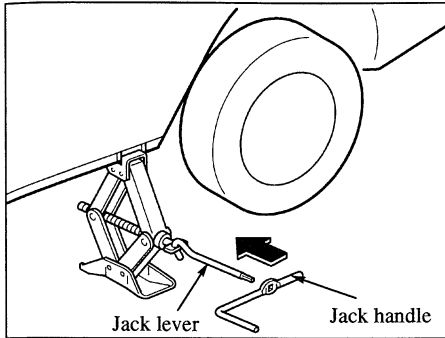
**Incorrect Jacking Position:**  
*Attempting to jack the vehicle in positions other than those recommended in this manual is dangerous. The vehicle could slip off the jack and seriously injure or even kill someone. Use only the front and rear jacking positions recommended in this manual.*

**⚠ WARNING**

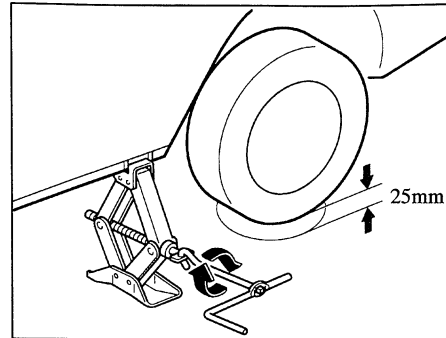
**Placing Objects Under the Jack:**  
*Jacking the vehicle with an object under the jack is dangerous. The jack could slip and someone could be seriously injured by the jack or the falling vehicle. Never place objects under the jack.*

**⚠ WARNING**

**Improper Jack:**  
*Using a jack that isn't designed for your Mazda is dangerous. The vehicle could slip off the jack and seriously injure someone. Use only the jack provided with your Mazda.*



10. Insert the jack lever and attach the jack handle to tire jack.

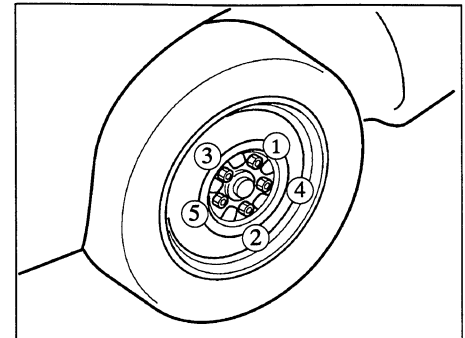


11. Turn the jack handle clockwise until the tire just clears the ground, less than 25 mm (1 in). Before removing the lug nuts, make sure your Mazda is firmly in position and that it cannot slip or move.

12. Remove the lug nuts by turning them counterclockwise; then remove the wheel.

13. Mount the spare tire.

14. Install the lug nuts with the beveled edge inward; tighten them by hand.



15. Turn the jack handle counterclockwise and lower the vehicle. Use the lug wrench to tighten the nuts in the order shown.

If you're unsure of how tight the nuts should be, have them inspected at a service station. The specified torque is 108 to 147 N·m (11.0 to 15.0 kgf·m, 80 to 108 ft·lbf).

**⚠ WARNING**

**Loose Lug Nuts:**

*Improperly or loosely tightened lug nuts are dangerous. The wheel could wobble or come off. This could result in loss of vehicle control and cause a serious accident. Always securely and correctly tighten the lug nuts.*

**⚠ WARNING**

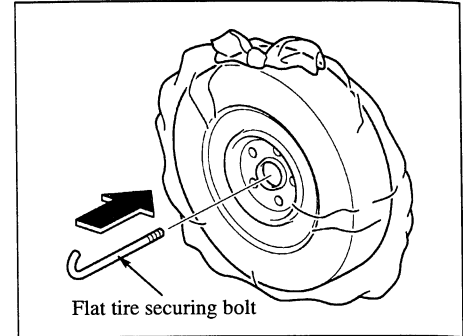
**Metric Studs and Lug Nuts:**

*Because the wheel studs and lug nuts on your Mazda have metric threads, using a non-metric nut is dangerous. On a metric stud, it would not secure the wheel and would damage the stud, which could cause the wheel to slip off and cause an accident. Be sure to reinstall the same nuts you removed or replace them with metric nuts of the same configuration.*

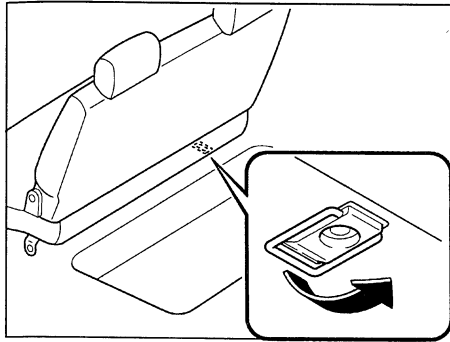
**⚠ WARNING**

**Incorrect Tire Air Pressure:**

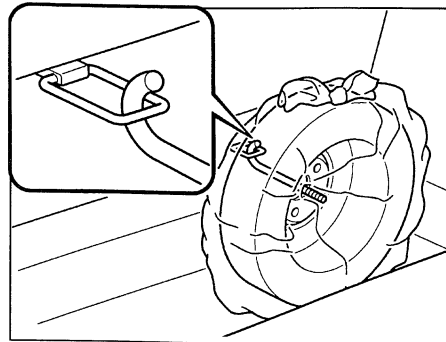
*Driving on tires with incorrect air pressure is dangerous. Tires with incorrect pressure could affect handling and result in an accident. Don't drive with any tires that have incorrect air pressure. When you check the regular tire's air pressure, check the spare tire, too.*



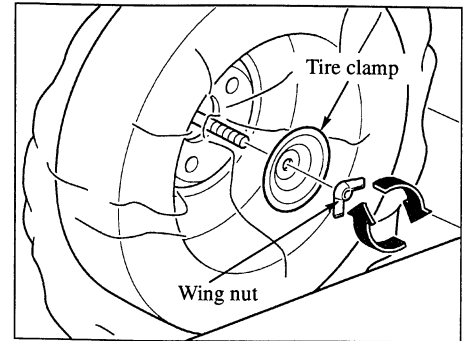
16. Put the flat tire in the special vinyl bag and tie it at the top.
17. With the tire facing outward, punch a hole through the vinyl bag and the center hole, using the flat tire securing bolt.



18. Lift the anchor clip on the back of third-row seat.



19. Install the flat tire with the tire securing bolt hooked in the anchor clip as shown above.



20. Secure the flat tire with the tire clamp and wing nut as shown above. Have the damaged tire repaired as soon as possible.

**NOTE**

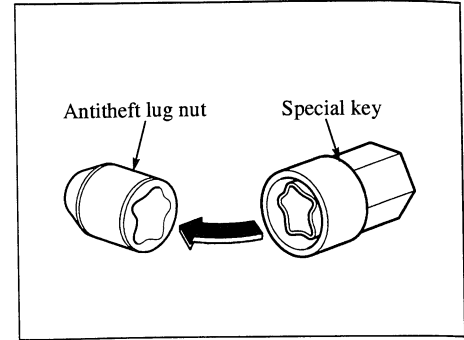
If the tire rattles even through the wing nut is tightened, reverse the tire clamp and retighten the wing nut.

### NOTE

To prevent the jack and tool bag from rattling, store them properly.

### ■ Locking Lug Nuts

If your vehicle has optional antitheft wheel lug nuts, one on each wheel will lock and you must use a special key to unlock them. This key is attached to the lug wrench and is stored with the spare tire. Register them with the lock manufacturer by filling out the card provided in the glove box and mailing it in the accompanying envelope. If you lose your key, consult an Authorized Mazda Dealer or use the lock manufacturer's order form, which is with the registration card.



### ▼ To remove an antitheft lug nut

1. Get the key for the locking lug nut.
2. Place it on top of the nut, and be sure to hold the key square to it. If you hold the key at an angle, you may damage both key and nut. Don't use a power impact wrench.
3. Place the lug wrench on top of the key and apply pressure. Turn the wrench counterclockwise.



▼ To replace the nut

1. Place the key on top of the nut.
2. Place the lug wrench on top of the key, apply pressure, and turn it clockwise.

■ Spare Tire

Your Mazda has a temporary spare tire. It's lighter and smaller than a conventional tire, is designed only for emergency use and should be used only for VERY short periods. Temporary spares should NEVER be used for long drives or extended periods.

 **WARNING**

***Driving with a Temporary Spare Tire on Ice or Snow:***

***Driving with a spare tire on the front (driving) wheels on ice or snow is dangerous. Handling will be affected. You could lose control of the vehicle and have an accident. Put the spare tire on the rear axle and move a regular tire to the front.***

**⚠ CAUTION**

To avoid damage to the temporary spare or to the vehicle, observe the following precautions:

- Don't exceed 80 km/h (50 mph).
- Avoid driving over obstacles. Also, don't drive through an automatic car wash. This tire's diameter is smaller than a conventional tire's, so the ground clearance is reduced about 25 mm (1 in).
- Don't use a tire chain on this tire because it won't fit properly.
- Don't use your temporary spare on any other vehicle; it has been designed only for your Mazda.
- Do not tow a trailer while using this tire.

(Continued)

- Use only one temporary spare tire on your vehicle at the same time.

# 7

## Appearance Care

*This section features care, inside and out, of your Mazda...how best to keep it clean and looking good.*

*Be aware that appearance is not the only reason for cleanliness. Road grime tends to eat away at the metal, so keeping your vehicle clean in the way Section 7 prescribes will help prevent its early deterioration and rusting.*

How to Minimize Environmental Paint Damage	7- 2
Exterior Care	7- 4
Interior Care	7- 9

### How to Minimize Environmental Paint Damage

The paintwork on your Mazda represents the latest technical developments in composition and methods of application.

Environmental hazards, however, can harm the paint's protective properties, if proper care is not taken.

Here are some examples of possible damage, with tips on how to prevent them.

#### ■ Etching Caused by Acid Rain or Industrial Fallout

##### ▼ Occurrence

Industrial pollutants and vehicle emissions drift into the air and mix with rain or dew to form acids. These acids can settle on a vehicle's finish. As the water evaporates, the acid becomes concentrated and can damage the finish. And the longer the acid remains on the surface, the greater the chance is for damage.

##### ▼ Prevention

It is necessary to wash and wax your vehicle to preserve its finish according to the instructions in this section. These steps should be taken immediately after you suspect that acid rain has settled on your vehicle's finish.

#### ■ Damage Caused by Bird Dropping, Insects, or Tree Sap

##### ▼ Occurrence

Bird droppings contain acids. If these aren't removed they can eat away the clear and color base coat of the vehicle's paintwork.

When insects stick to the paint surface and decompose, corrosive compounds form. These can erode the clear and color base coat of the vehicle's paintwork if they are not removed.

Tree sap will harden and adhere permanently to the paint finish. If you scratch the sap off while it is hard, some vehicle paint could come off with it.

### ▼ Prevention

It is necessary to have your Mazda washed and waxed to preserve its finish according to the instructions in this section. This should be done as soon as possible.

Bird droppings can be removed with a soft sponge and water. If you are traveling and these are not available, a moistened tissue may also take care of the problem. The cleaned area should be waxed according to the instructions in this section.

Insects and tree sap are best removed with a soft sponge and water or a commercially available chemical cleaner.

Another method is to cover the affected area with dampened newspaper for one to two hours. After removing the newspaper, rinse off the loosened debris with water.

### ■ Water Marks

#### ▼ Occurrence

Rain, fog, dew, and even tap water can contain harmful minerals such as salt and lime. If moisture containing these minerals settles on the vehicle and evaporates, the minerals will concentrate and harden to form white rings. The rings can damage your vehicle's finish.

#### ▼ Prevention

It is necessary to wash and wax your vehicle to preserve its finish according to the instructions in this section. These steps should be taken immediately after you find water marks on your vehicle's finish.

### ■ Paint Chipping

#### ▼ Occurrence

Paint chipping occurs when gravel is thrown in the air by another vehicle's tires hits your vehicle.

#### ▼ How to avoid paint chipping

Keeping a safe distance between you and the vehicle ahead reduces the chances of having your paint chipped by flying gravel.

### Exterior Care

#### NOTE

- The paint chipping zone varies with the speed of the vehicle. For example, when traveling at 90 km/h (56 mph), the paint chipping zone is 50 m (164 ft).
- In low temperatures a vehicle's finish hardens. This increases the chance of paint chipping.
- Chipped paint can lead to rust forming on your Mazda. Before this happens, repair the damage by using Mazda touch-up paint according to the instructions in this section. Failure to repair the affected area could lead to serious rusting and expensive repairs.

Follow **all** label and container directions when using a chemical cleaner or polish. Read all warnings and cautions.

#### ■ Maintaining the Finish

##### ▼ Washing

To help protect the finish from rust and deterioration, wash your Mazda thoroughly and frequently, at least once a month, with lukewarm or cold water.

If the vehicle is washed improperly, the paint surface could be scratched. Here are some examples of how scratching could occur.

Scratches occur on the paint surface when:

- The vehicle is washed without first rinsing off dirt and other foreign matter.
- The vehicle is washed with a rough, dry, or dirty cloth.
- The vehicle is washed at a car wash that uses brushes that are dirty or too stiff.

- Cleansers or wax containing abrasives are used.
- Take your vehicle only to a car wash that keeps its brushes well maintained.
- Don't use abrasive cleansers or wax that contain abrasives.

<b>NOTE</b>
<ul style="list-style-type: none"><li>• Mazda is not responsible for scratches caused by automatic car washes or improper washing.</li><li>• Scratches are more noticeable on vehicles with darker paint finishes.</li></ul>

Pay special attention to removing salt, dirt, mud, and other foreign material from the underside of the wings, and make sure the drain holes in the lower edges of the doors and rocker panels are clean.

Insects, tar, tree sap, bird droppings, industrial fallout, and similar deposits can damage the finish if not removed immediately. When prompt washing with plain water is ineffective, use a mild soap made for use on vehicles.

Thoroughly rinse off all soap with lukewarm or cold water. Don't allow soap to dry on the finish.

After washing the vehicle, dry it with a clean chamois to prevent water spots from forming.

To minimize scratches on the vehicle's paint finish:

- Rinse off any dirt or other foreign matter using lukewarm or cold water before washing.
- Use plenty of lukewarm or cold water and a soft cloth when washing the vehicle. Do not use a nylon cloth.
- Rub gently when washing or drying the vehicle.

<b>⚠ CAUTION</b>
<ul style="list-style-type: none"><li>• Don't use steel wool, abrasive cleaners, or strong detergents containing highly alkaline or caustic agents on chrome-plated or anodized aluminum parts. This may damage the protective coating; also, cleaners and detergents may discolor or deteriorate the paint.</li><li>• To prevent damaging the antenna, retract it before entering a car wash facility or passing beneath a low overhead clearance.</li></ul>

 **WARNING**

***Driving with Wet Brakes:***

***Driving with wet brakes is dangerous. Increased stopping distance or the vehicle pulling to one side when braking could result in a serious accident. Light braking will indicate whether the brakes have been affected. Dry the brakes by driving very slowly and applying the brakes lightly until brake performance is normal.***

▼ Waxing

Your vehicle needs to be waxed when water no longer beads on the finish. Always wash and dry the vehicle before waxing it. In addition to the vehicle body, wax the metal trim to maintain its luster.

1. Use wax which contains no abrasives. Waxes containing abrasive will remove paint and could damage bright metal parts.
2. Use a good grade of natural wax for metallic, mica, and solid colors.
3. When waxing, coat evenly with the sponge supplied or a soft cloth.
4. Wipe off the wax with a soft cloth.

**NOTE**

A spot remover to remove oil, tar, and similar materials will usually also take off the wax. Rewax these areas even if the rest of the vehicle doesn't need it.



### ■ Repairing Damage to the Finish

Deep scratches or chips on the finish should be repaired promptly. Exposed metal quickly rusts and can lead to major repairs.

#### CAUTION

If your Mazda is damaged and needs metal parts repaired or replaced, make sure the body shop applies anti-corrosion materials to all parts, both repaired and new. This will prevent them from rusting.

### ■ Bright-Metal Maintenance

- Use tar remover to remove road tar and insects. Never do this with a knife or similar tool.
- To prevent corrosion on bright-metal surfaces, apply wax or chrome preservative and rub it to a high luster.
- During cold weather or in coastal areas, cover bright-metal parts with a coating of wax or preservative heavier than usual. It would also help to coat them with noncorrosive petroleum jelly or some other protective compound.

### ■ Underbody Maintenance

Road chemicals and salt used for ice and snow removal and solvents used for dust control may collect on the underbody. If not removed, they will speed up rusting and deterioration of such underbody parts as fuel lines, frame, floor pan, and exhaust system, even though these parts may be coated with anti-corrosive material.

Thoroughly flush the underbody and wheel housings with lukewarm or cold water at the end of each winter. Try also to do this every month.

Pay special attention to these areas because they easily hide mud and dirt. **It will do more harm than good to wet down the road grime without removing it.**

The lower edges of doors, rocker panels, and frame members have drain holes that should not be clogged. Water trapped there will cause rusting.

 **WARNING**

***Driving with Wet Brakes:***

***Driving with wet brakes is dangerous. Increased stopping distance or the vehicle pulling to one side when braking could result in a serious accident. Light braking will indicate whether the brakes have been affected. Dry the brakes by driving very slowly and applying the brakes lightly until brake performance is normal.***

■ **Aluminum Wheel Maintenance**

A protective coating is provided over the aluminum wheels. Special care is needed to protect this coating.

**NOTE**

- Don't use a wire brush or any abrasive cleaner, polishing compound, or solvent on aluminum wheels. They may damage the coating.
- Only use a mild soap or neutral detergent and always use a sponge or soft cloth to clean the wheels. Rinse thoroughly with lukewarm or cold water. Also, be sure to clean the wheels after driving on dusty or salted roads. This helps prevent corrosion.
- Avoid washing your vehicle in an automatic car wash that uses high-speed or hard brushes.
- If your aluminum wheels lose luster, wax the wheels.

## Interior Care

### ■ Dashboard Precautions

Prevent caustic solutions such as perfume and cosmetic oils from contacting the dashboard. They'll damage and discolor it. If these solutions get on the dashboard, wipe them off immediately.

### ■ Cleaning the Upholstery and Interior Trim

#### ▼ Vinyl

Remove dust and loose dirt from vinyl with a whisk broom or vacuum cleaner. Clean vinyl with a leather-and-vinyl cleaner.

#### ▼ Leather

Real leather isn't uniform and may have scars, scratches, and wrinkles. Clean it with a leather cleaner or mild soap.

Wipe it with a **damp** soft cloth; then dry and buff it with a **dry** soft cloth.

#### ▼ Fabric

Remove dust and loose dirt from fabric with a whisk broom or vacuum cleaner. Clean it with a mild soap solution good for upholstery and carpets. Remove fresh spots immediately with a fabric spot cleaner.

To keep the fabric looking clean and fresh, take care of it. Otherwise its color will be affected, it can be stained easily, and its fire-resistance may be reduced.

 **CAUTION**

Use only recommended cleaners and procedures. Others may affect appearance and fire-resistance.

### ■ Cleaning the Lap/Shoulder Belt Webbing

Clean the webbing with a mild soap solution recommended for upholstery or carpets. Follow instructions. Don't bleach or dye the webbing; this may weaken it.

After cleaning the belts, thoroughly dry the belt webbing and make sure there is no remaining moisture before retracting them.

#### **WARNING**

##### Damaged Seat Belt:

*Using damaged seat belts is dangerous. In a collision, damaged belts cannot provide adequate protection. Have your Authorized Mazda Dealer replace damaged belts immediately.*

### ■ Cleaning the Window Interiors

If the windows become covered with an oily, greasy, or waxy film, clean them with glass cleaner. Follow the directions on the container.

#### **CAUTION**

Don't scrape or scratch the inside of the rear window. You may damage the rear window defroster grid.

# 8

## Maintenance

*Because your Mazda is a large piece of intricate machinery, it needs regular care in the form of maintenance and servicing. Many owners prefer to do much of this work themselves.*

*So Section 8 has been prepared as a guide for the operator who wants to self-service such minor jobs as changing the engine oil, replacing bulbs and wiper blades, charging the battery, and rotating the tires. All maintenance schedules are included, along with instructions on how to make regular inspections of such things as fluid levels.*

Introduction	8- 2
Scheduled Maintenance	8- 3
Owner Maintenance	8- 8

### Introduction

Be extremely careful and prevent injury to yourself and others or damage to your vehicle when using this manual for inspection and maintenance.

If you're unsure about any procedure it describes, we strongly urge you to have a reliable and qualified service shop perform the work, preferably an Authorized Mazda Dealer.

Factory-trained Mazda technicians and genuine Mazda parts are best for your vehicle. Without this expertise and the parts that have been designed and made especially for your Mazda, inadequate, incomplete, and insufficient servicing may result in problems. This could lead to vehicle damage or an accident and injuries.

For expert advice and quality service, consult an Authorized Mazda Dealer.

The owner should retain evidence that proper maintenance has been performed as prescribed.

A claim against a warranty will not qualify if it results from lack of maintenance and not from defective material or authorized Mazda workmanship.

Any auto repair shop using parts equivalent to your Mazda's original equipment may perform maintenance. **But we recommend that it always be done by an Authorized Mazda Dealer using genuine Mazda parts.**

## Scheduled Maintenance

Follow Schedule 1 if the vehicle is operated mainly where none of the following conditions apply. If any do apply, follow Schedule 2 (Puerto Rico residents follow Schedule 2).

- Repeated short-distance driving
- Driving in dusty conditions
- Driving with extended use of brakes
- Driving in areas where salt or other corrosive materials are used
- Driving on rough or muddy roads
- Extended periods of idling or low-speed operation
- Driving for long periods in cold temperatures or extremely humid climates
- Towing a trailer

**NOTE**

After the described period, continue to follow the described maintenance at the recommended intervals.

## Maintenance

I : Inspect and repair, clean, adjust, or replace if necessary.  
 ( Oil-permeated air filter cannot be cleaned using the air-blow method.)  
 R: Replace

### Schedule 1

Maintenance Interval  Maintenance Item	Number of months or miles (kilometers), whichever comes first									
	Months	6	12	18	24	30	36	42	48	
	× 1000 Km	12	24	36	48	60	72	84	96	
	× 1000 Miles	(7.5)	(15)	(22.5)	(30)	(37.5)	(45)	(52.5)	(60)	
Engine oil		R	R	R	R	R	R	R	R	
Engine oil filter		R	R	R	R	R	R	R	R	
Drive belts					I				I	
PCV valve*									I	
Hoses and tubes for emission*									I	
Spark plugs (Platinum-tipped type)		Replace every 96,000 km (60,000 miles)								
Air filter					R				R	
Fuel lines and hoses*					I				I	

\* According to state and federal regulations, failure to perform maintenance on these items will not void your emissions warranties. However, Mazda recommends that all maintenance services be performed at the recommended time or kilometrage (mileage) period to ensure long-term reliability.



I : Inspect and repair, clean, adjust, or replace if necessary.

R : Replace      L : Lubricate

Schedule 1 (Cont'd)

Maintenance Interval  Maintenance Item	Number of months or miles (kilometers), whichever comes first								
	Months	6	12	18	24	30	36	42	48
	× 1000 Km	12	24	36	48	60	72	84	96
	× 1000 Miles	(7.5)	(15)	(22.5)	(30)	(37.5)	(45)	(52.5)	(60)
Cooling system					I				I
Engine coolant	Replace at first 72,000 km (45,000 miles) or 36 months ; after that, every 48,000 km (30,000 miles) or 24 months								
Brake lines, hoses and connections					I				I
Brake fluid					R				R
Disc brakes					I				I
Drum brakes					I				I
Steering operation and linkages					I				I
Front suspension ball joints					I				I
Driveshaft dust boots					I				I
Bolts and nuts on chassis and body					I				I
Exhaust system heat shields					I				I
All locks and hinges	L	L	L	L	L	L	L	L	L
Refrigerant amount		I			I		I		I
Compressor operation		I			I		I		I
Cabin air filter (if installed)	Replace once a year or every 20,000 km (12,000 miles)								

# Maintenance

I : Inspect and repair, clean, adjust, or replace if necessary.  
 ( Oil-permeated air filter cannot be cleaned using the air-blow method.)  
 R : Replace

## Schedule 2

Maintenance Interval		Number of months or miles (kilometers), whichever comes first												
		Months	4	8	12	16	20	24	28	32	36	40	44	48
Maintenance Item		× 1000 Km	8	16	24	32	40	48	56	64	72	80	88	96
		× 1000 Miles	(5)	(10)	(15)	(20)	(25)	(30)	(35)	(40)	(45)	(50)	(55)	(60)
Engine oil	Except Puerto Rico	R	R	R	R	R	R	R	R	R	R	R	R	R
	Puerto Rico	Replace every 5,000 km (3,000 miles) or 3 months												
Engine oil filter		R	R	R	R	R	R	R	R	R	R	R	R	R
Drive belts								I						I
PCV valve*														I
Hoses and tubes for emission*														I
Spark plugs (Platinum tipped type)		Replace every 96,000 km (60,000 miles)												
Air filter				I				R			I			R
Fuel lines and hoses*								I						I
Cooling system								I						I
Engine coolant		Replace at first 72,000 km (45,000 miles) or 36 months ; after that, every 48,000 km (30,000 miles) or 24 months												

\* According to state and federal regulations, failure to perform maintenance on these items will not void your emissions warranties. However, Mazda recommends that all maintenance services be performed at the recommended time or kilometrage (mileage) period to ensure long-term reliability.

I : Inspect and repair, clean, adjust, or replace if necessary.  
 R: Replace L : Lubricate

Schedule 2 (Cont'd)

Maintenance Interval  Maintenance Item	Number of months or miles (kilometers), whichever comes first												
	Months	4	8	12	16	20	24	28	32	36	40	44	48
	× 1000 Km	8	16	24	32	40	48	56	64	72	80	88	96
	× 1000 Miles	(5)	(10)	(15)	(20)	(25)	(30)	(35)	(40)	(45)	(50)	(55)	(60)
Engine coolant level		I	I	I	I	I	I	I	I	I	I	I	I
Function of all lights		I	I	I	I	I	I	I	I	I	I	I	I
Brake lines, hoses and connections							I						I
Brake fluid							R						R
Brake fluid level		I	I	I	I	I	I	I	I	I	I	I	I
Disc brakes				I			I			I			I
Drum brakes							I						I
Tire inflation pressure and tire wear		I	I	I	I	I	I	I	I	I	I	I	I
Steering operation and linkages							I						I
Power steering fluid level		I	I	I	I	I	I	I	I	I	I	I	I
Front suspension ball joints							I						I
Driveshaft dust boots							I						I
Bolts and nuts on chassis and body				I			I			I			I
Exhaust system heat shields							I						I
All locks and hinges		L	L	L	L	L	L	L	L	L	L	L	L
Washer fluid level		I	I	I	I	I	I	I	I	I	I	I	I
Refrigerant amount				I			I			I			I
Compressor operation				I			I			I			I
Cabin air filter (if installed)		Replace once a year or every 20,000 km (12,000 miles)											

### Owner Maintenance

#### ■ Owner Maintenance Schedule

The owner or a qualified service technician should make these vehicle inspections at the indicated intervals to ensure safe and dependable operation.

Bring any problem to the attention of an Authorized Mazda Dealer or qualified service technician as soon as possible.

#### ▼ At least monthly

- Tire inflation pressures (page 8-31)

#### ▼ At least twice a year (for example, every spring and fall)

- Automatic transaxle fluid level (page 8-19)
- Power steering fluid level (page 8-19)

You can do the following scheduled maintenance items if you have some mechanical ability and a few basic tools and if you closely follow the directions in this manual.

#### ▼ When refueling

- Brake fluid level (page 8-18)
- Engine coolant level (page 8-14)
- Engine oil level (page 8-12)
- Washer fluid level (page 8-21)

- Air filter (page 8-22)
- Engine coolant (page 8-17)
- Engine oil and oil filter (page 8-12)

## ■ Owner Maintenance Precautions

Improper or incomplete service may result in problems. This section gives instructions only for items easy to perform.

### **WARNING**

#### Maintenance Procedures:

*Performing maintenance work on a vehicle is dangerous if not done properly. You can be seriously injured while performing some maintenance procedure. If you lack sufficient knowledge and experience or the proper tools and equipment to do the work, have it done by a qualified technician.*

As explained in the Introduction (page 8-2), several procedure can be done only by a qualified service technician with special tools.

Improper owner maintenance during the warranty period may affect warranty coverage. For details, read the separate Mazda Warranty statement provided with the vehicle. If you're unsure about any servicing or maintenance procedure, have it done by an Authorized Mazda Dealer.

### **WARNING**

#### Running the Engine:

*Working under the hood with the engine running is dangerous. It becomes even more dangerous when you wear jewelry or loose clothing. Either can become entangled in moving parts and result in injury. Therefore, if you must run the engine while working under the hood, make certain that you remove all jewelry (especially rings, bracelets, watches, and necklaces) and all neckties, scarves, and similar loose clothing before getting near the engine or cooling fan.*

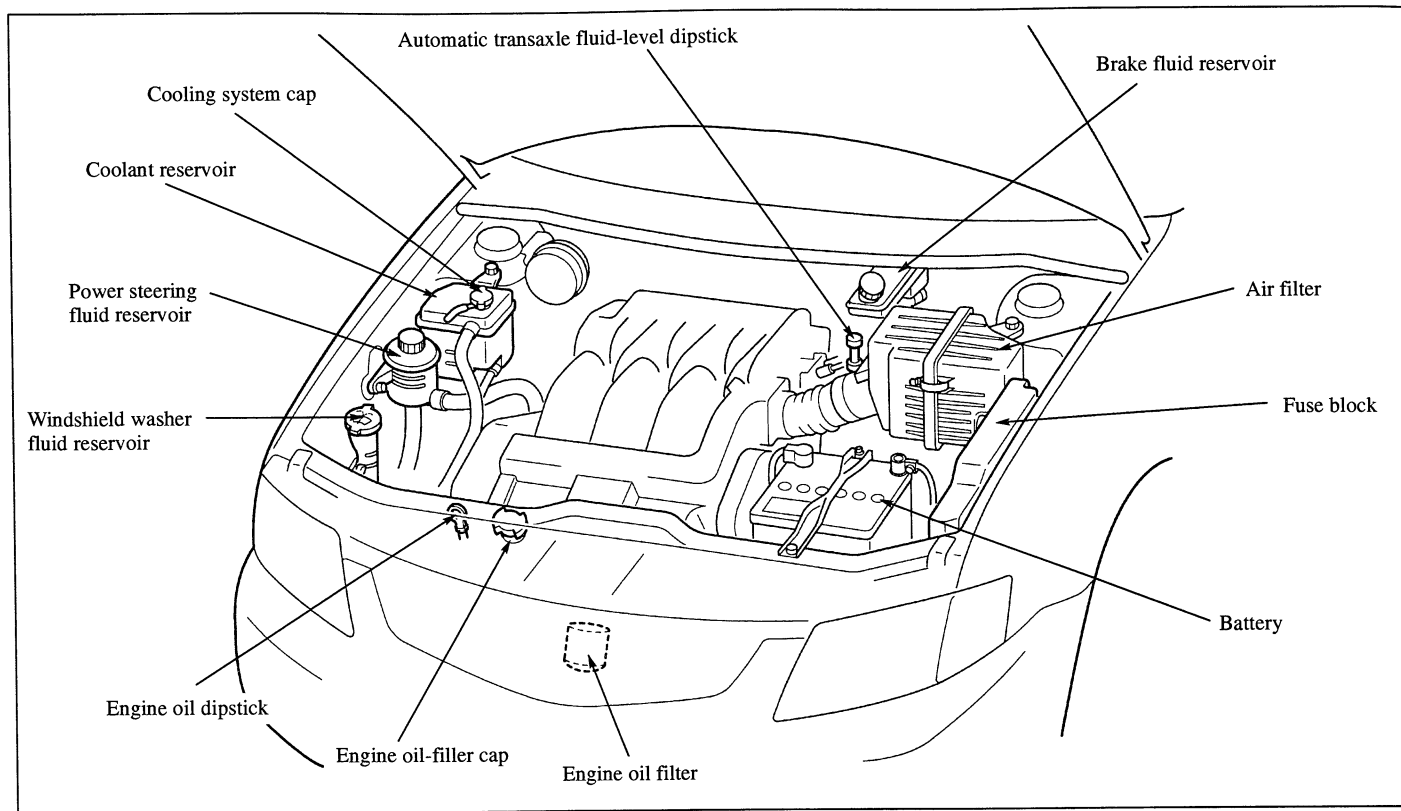
### **WARNING**

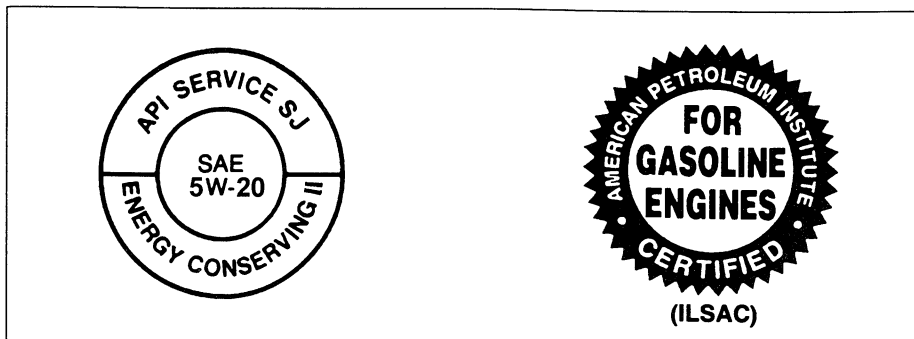
#### Electrical Fan and Engine

##### Inspection:

*Inspecting the engine with the ignition switch in the ON position is dangerous. The cooling fan could come on unexpectedly even when the engine isn't running. You could be seriously injured by the fan. Turn the ignition switch off and remove the key from the ignition switch when you inspect the engine.*

■ Engine Compartment Overview





$^{\circ}\text{C}$ $(^{\circ}\text{F})$		-30 -20 -10 0 10 20 30 40 50
		-20 0 20 40 60 80 100 120
ILSAC	GF-II	
API Service	SJ	

**⚠ CAUTION**

Using oils of viscosity besides those recommended for specific temperature ranges could result in engine damage.

■ Engine Oil

▼ Recommended oil

Oil container labels provide important information.

The quality designation “SJ” or “ILSAC” must be on the label.

Engine oil viscosity, or thickness, has an effect on fuel economy and cold-weather operation (starting and oil flow).

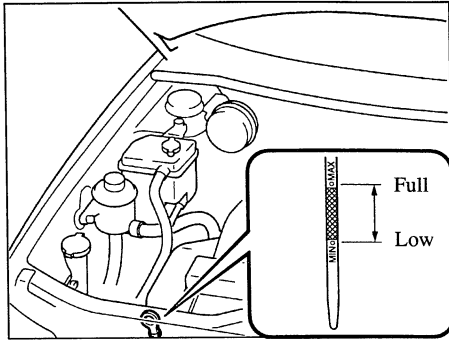
Low-viscosity engine oils can provide

improved fuel economy and cold-weather performance.

But high-temperature weather conditions require higher-viscosity engine oils for satisfactory lubrication.

When choosing an oil, consider the temperature range your vehicle will operate in before the next oil change. Then select the recommended viscosity from this chart.

Energy conserving oils are recommended. A chief contribution they make to fuel economy is reducing the amount of fuel necessary to overcome engine friction.



### ▼ Inspecting engine oil level

1. Be sure the vehicle is on a level surface.
2. Warm up the engine to normal operating temperature.
3. Turn it off and wait 5 minutes for the oil to return to the oil pan.
4. Pull out the dipstick, wipe it clean, and reinsert it fully.

5. Pull it out again and examine the level. It's OK between MIN and MAX.

But if it's near at or below MIN, add enough oil to bring the level to MAX.

### ⚠ CAUTION

Don't add engine oil over MAX. This may cause engine damage.

### ▼ Changing engine oil and filter

Change engine oil and filter according to Scheduled Maintenance (page 8-3).

Please act responsibly—protect the environment and take used oil to a recycling facility. Ask your dealer or a service station for information.

### ⚠ WARNING

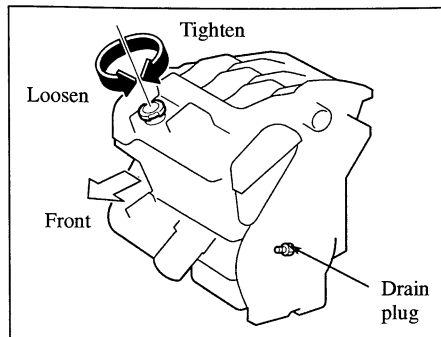
#### Handling Used Engine Oil:

*Continuous contact with used engine oil is dangerous. It could cause skin cancer. Always wash with soap and water immediately after changing oil and filter.*



**⚠ CAUTION**

Remove oil splatter from the exhaust manifold, the exhaust pipe and the shield. Oil left on these areas will smoke when the engine is running.

**⚠ WARNING**

***Checking or Changing Engine Oil:***  
***Hot engine oil is dangerous. If the engine has been running, the engine oil becomes very hot. You could be seriously burned. Don't check or change the engine oil when the engine is hot.***

**Changing engine oil**

1. Warm up the engine for a few minutes and turn it off. Remove the oil-filler cap.
2. Remove the drain plug and drain the oil into a suitable container.

3. Replace the plug tightly after the oil has thoroughly drained.
4. Fill the engine with new oil to the MAX mark on the dipstick.
5. Securely replace the oil-filler cap.
6. Start the engine and inspect around the drain plug for leaks.
7. Turn it off and wait 5 minutes for the oil to return to the oil pan.

Check the oil level and fill to the MAX mark if necessary.

### Oil capacity (General reference only)

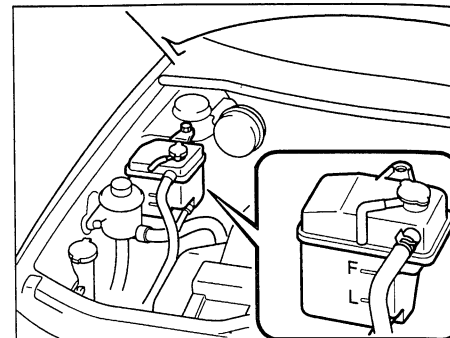
4.7 L (5.0 US qt, 4.1 Imp qt)

#### NOTE

Use only specified engine oil (page 8-11).

### Changing oil filter

Because you need a special tool to retighten the filter, an Authorized Mazda Dealer should do the work.



### ■ Engine Coolant

### ▼ Inspecting coolant level

## ⚠ WARNING

### *Hot Engine:*

*A hot engine is dangerous. If the engine has been running, parts of the engine compartment can become very hot. You could be burned. Don't inspect the coolant system or add coolant when the engine is hot.*

Inspect the antifreeze protection and coolant level in the coolant reservoir at least once a year—at the beginning of the winter season—and before traveling where temperatures may drop below freezing.

Inspect the condition and connections of all cooling system and heater hoses. Replace any that are swollen or deteriorated.

The coolant should be at full in the radiator and between the F and L marks on the coolant reservoir when the engine is cool.

If it's at or near L, add enough coolant to the coolant reservoir to provide freezing and corrosion protection and to bring the level to F.

**Do not overfill.**

If new coolant is required frequently, consult an Authorized Mazda Dealer.

 **CAUTION**

Radiator coolant will damage paint.  
Rinse it off quickly.

▼ **Changing coolant**  
(Without rear heater)

Change coolant according to Scheduled Maintenance (page 8-3).

 **CAUTION**

- Use only soft (demineralized) water in the coolant mixture. Water that contains minerals will cut down on the coolant's effectiveness.
- Don't add only water. Always add a proper coolant mixture.
- The engine has aluminum parts and must be protected by an ethylene-glycol-based coolant to prevent corrosion and freezing.

DO NOT USE alcohol or methanol antifreeze. DO NOT MIX alcohol or methanol with the coolant. This  
(Continued)

could damage the cooling system.

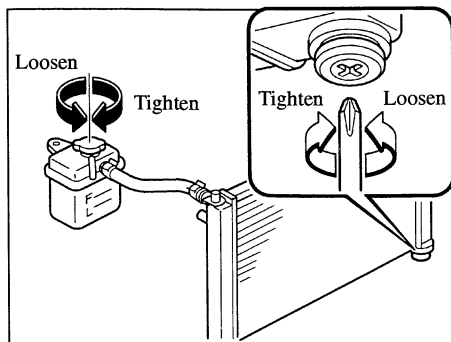
- Don't use a solution that contains more than 60 % antifreeze. This would reduce effectiveness.

For mixture percentage:

Protection	Volume	
	Antifreeze solution	Water
Above -16°C (3°F)	35%	65%
Above -26°C (-15°F)	45	55
Above -40°C (-40°F)	55	45

 **WARNING**

***Removing the Cooling System Cap:***  
***Removing the cooling system cap or drain plug while the engine is running or hot is dangerous. This might lead to cooling system and engine damage and could result in serious injury from escaping hot coolant or steam. Turn off the engine and wait until it's cool. Even then, be very careful when removing the cap or drain plug. Wrap a thick cloth around it and slowly turn it counterclockwise to the first stop. Step back while the pressure escapes. When you're sure all the pressure is gone, press down on the cap — still using a cloth — turn the cap, and remove it.***



### To Change Coolant

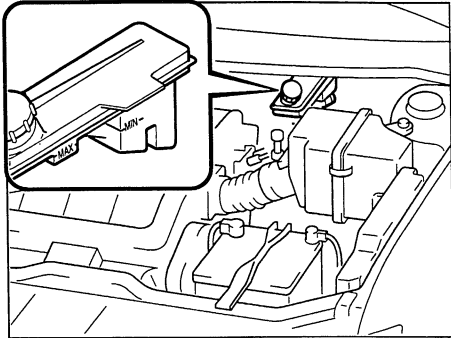
1. Remove the cooling system cap.
2. Only when the engine is cool, remove the radiator drain plug and drain the coolant into a suitable container.
3. Flush out the system with running water.
4. Drain the system completely. Insert and tighten the plug. Add as much ethylene-glycol-based coolant and water as necessary to provide freezing and corrosion protection.

In extremely cold climates, add the amount recommended in the coolant manufacturer's instructions.

5. Run the engine at idle with the cooling system cap off. Slowly add additional coolant if necessary.
6. At this point, wait until the engine reaches normal operating temperature; then depress the accelerator two or three times. Add more coolant, if necessary, until the system is full.
7. Install the cooling system cap. Inspect all connections for leaks. Inspect the level in the coolant reservoir one more time.

### ▼ Changing coolant (with rear heater)

Have an Authorized Mazda Dealer change the coolant according to the Scheduled Maintenance (page 8-3).



### ■ Inspecting Brake Fluid Level

Inspect the fluid level in the reservoir regularly. It should be kept at MAX. If it's low, add fluid until it reaches MAX.

Before adding fluid, thoroughly clean the area around the cap.

The level normally drops with accumulated distance, a condition associated with wear of brake linings. If it is excessively low, have the brake system inspected by an Authorized Mazda Dealer.

### ⚠ CAUTION

Brake fluid will damage painted surfaces. If brake fluid does get on a painted surface, wipe it off immediately.

### ⚠ CAUTION

Using nonspecified brake fluids (see chart, page 10-2) will damage the system. Mixing different fluids will also damage it.

If the brake system frequently requires new fluid, consult an Authorized Mazda Dealer.

### ⚠ WARNING

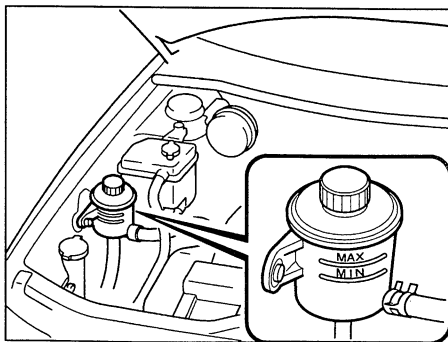
#### Spilled Brake Fluid:

*Spilled brake fluid is dangerous. If it gets in your eyes, they could be seriously injured. If this happens, immediately flush your eyes with water and get medical attention. Brake fluid spilled on a hot engine could cause a fire. Be careful not to spill brake fluid on yourself or on the engine.*

### ⚠ WARNING

#### Low Brake Fluid Levels:

*Low brake fluid levels is dangerous. Low levels could signal brake lining wear or a brake system leak. Your brakes could fail and cause an accident. If you find a low fluid level, have the brakes inspected.*



### ■ Inspecting Power Steering Fluid Level

Inspect the fluid level in the reservoir at each engine oil change with the engine off and cold. Add fluid if necessary; it does not require periodic changing.

The level must be kept between MIN and MAX.

Visually examine the lines and hoses for leaks and damage.

If new fluid is required frequently, consult an Authorized Mazda Dealer.

### ⚠ CAUTION

To avoid damage to the power steering pump, don't operate the vehicle for long periods when the power steering fluid level is low.

### NOTE

Use specified power steering fluid (chart, page 10-2).

### ■ Inspecting Automatic Transaxle Fluid Level


The automatic transaxle fluid level should be inspected regularly. Measure it as described below.

The volume of fluid changes with the temperature. Fluid must be checked at idle without driving at normal operating temperature.

### ⚠ CAUTION

- Low fluid level causes transaxle slippage. Overfilling can cause foaming, loss of fluid, and malfunction.
- Use specified fluid (page 10-2). A nonspecified fluid could result in transaxle malfunction and failure.

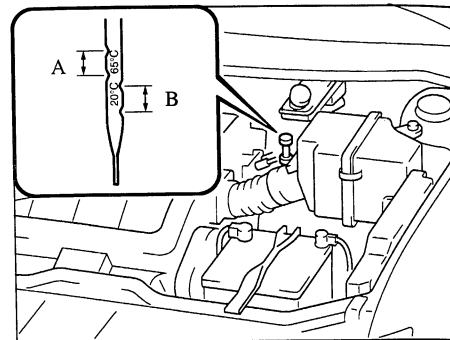
1. Park on a level surface and set the parking brake firmly.
2. Idle the engine about two minutes. Push down on the brake pedal.
3. Move the shift lever through all ranges and set it at P.

**WARNING**

***Sudden Vehicle Movement:***  
***Shifting the shift lever without first depressing the brake pedal is dangerous. The vehicle could move suddenly and cause an accident. Make sure the brake pedal is applied before shifting the shift lever.***

4. With the engine still idling, pull out the dipstick, wipe it clean, and put it back.
5. Pull it out again.

The proper fluid level is marked on the dipstick as follows.



### ▼ Fluid hot scale A

When the vehicle has been driven and the fluid is at normal operating temperature, about 65°C (150°F), the level must be between Full and Low.

### ▼ Fluid cold scale B

When the engine has not been running and the outside temperature is about 20°C (70°F), the level must be between Full and Low.



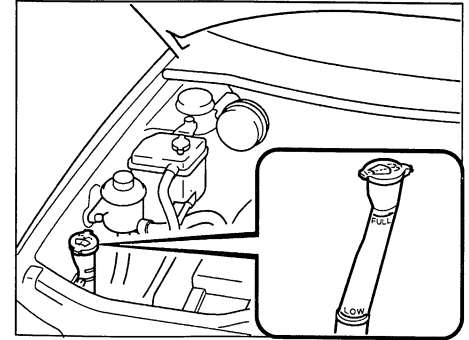
**NOTE**

- Use the cold scale only as a reference.
- If outside temperature is lower than about 20°C (70°F), start the engine and inspect the fluid level after the engine reaches operating temperature.
- If the vehicle has been driven for an extended period at high speeds or in city traffic in hot weather, inspect the level only after stopping the engine and allowing the fluid to cool for 30 minutes.

Fully insert the dipstick. When adding fluid, inspect with the dipstick to make sure it doesn't pass full.

**NOTE**

Inspect both sides of the dipstick for accurate reading.

**■ Inspecting Washer Fluid Level**

Inspect fluid level in the washer fluid reservoir; add fluid if necessary.

The top of the float should be between FULL and LOW.

Use plain water if fluid is unavailable. But use only washer fluid in cold weather to prevent it from freezing.

**⚠ WARNING**

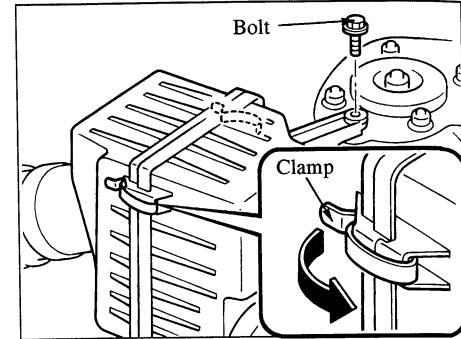
**Substitute Washer Fluid:**

*Using radiator antifreeze as washer fluid is dangerous. If sprayed on the windshield, it will dirty the windshield, affect your visibility, and could result in an accident. Use only windshield washer fluid or plain water in the reservoir.*

**■ Body Lubrication**

All moving points of the body, such as door and hood hinges and locks, should be lubricated each time the engine oil is changed. Use a nonfreezing lubricant on locks during cold weather.

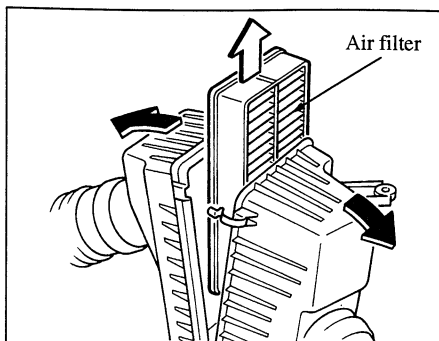
Make sure the engine hood's secondary latch keeps the hood from opening when the primary latch is released.



**■ Maintaining the Air Filter**

A viscous paper air filter fits inside the air cleaner housing, as shown. It's been specially treated and should not be cleaned and reused. Replace it when necessary.

1. Remove the bolt and unfasten the clamps on the air cleaner housing.



2. Separate the air cleaner housing and remove the filter.
3. Wipe inside the air cleaner housing with a damp cloth.
4. Replace the filter.
5. Install in the reverse order of removal.

Replace the filter according to Scheduled Maintenance (page 8-3).

**NOTE**

If the vehicle is operated in very dusty or sandy areas, replace the filter more often than recommended intervals.

**⚠ CAUTION**

Don't drive without an air filter. This could result in excessive engine wear.

### ■ Maintaining Wiper Blades

#### CAUTION

Hot waxes applied by automatic car washes have been known to affect the cleanability of windows.

Contamination of either the windshield or the blades with foreign matter can reduce wiper effectiveness. Common sources are insects, tree sap, and hot wax treatments used by some commercial car washes.

If the blades are not wiping properly, clean the window and blades with a good cleaner or mild detergent; then rinse thoroughly with clean water. Repeat if necessary.

#### CAUTION

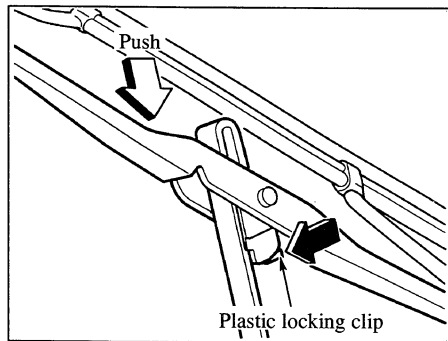
To prevent damage to the wiper blades, don't use gasoline, kerosene, paint thinner, or other solvents on or near them.

### ■ Replacing Windshield Wiper Blades

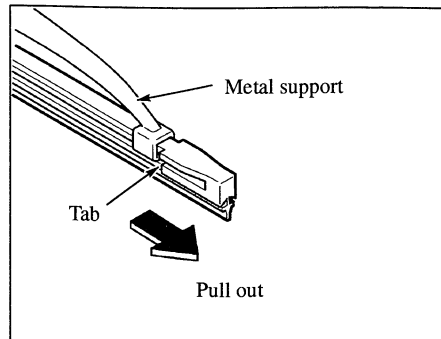
When the wipers no longer clean well, the blades are probably worn or cracked. Replace them.

#### CAUTION

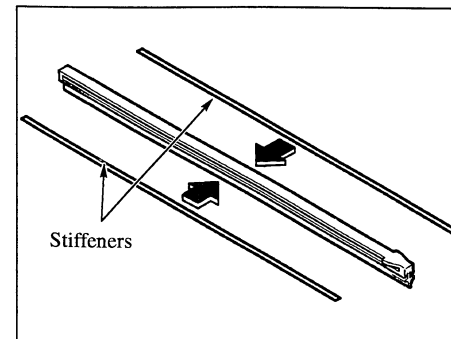
To prevent damage to the wiper arms and other components, don't move the wipers by hand.



1. Raise the wiper arm and turn the blade assembly to expose the plastic locking clip.
2. Compress the clip and slide the assembly downward; then lift it off the arm.



3. Hold the end of the rubber and pull until the tabs are free of the metal support.



4. Remove the metal stiffeners from the blade rubber and install them in new blades.

**⚠ CAUTION**

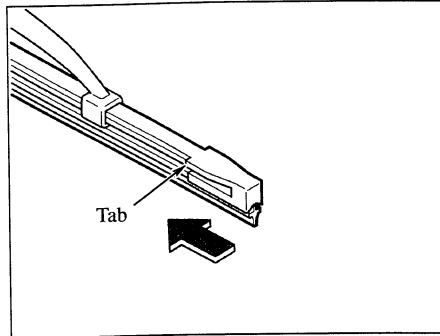
To prevent damage to the windshield, don't let the wiper arm fall on it.

## CAUTION

- Don't bend the stiffeners. You need to use them again.
- If the metal stiffeners are switched, the blade's wiping efficiency could be reduced.

So don't use the driver's side metal stiffeners on the passenger's side, or vice versa.

- Be sure to reinstall the metal stiffeners in the new blade rubber so that the curve is the same as it was in the old blade rubber.



5. Carefully insert the new blade rubber. Then install the blade assembly in the reverse order of removal.

### NOTE

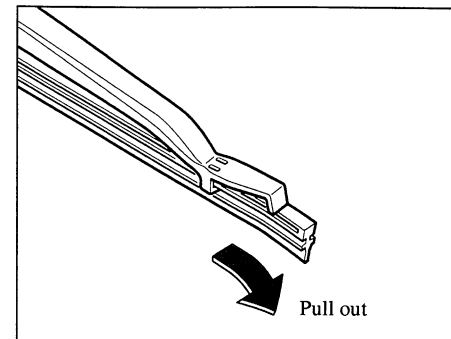
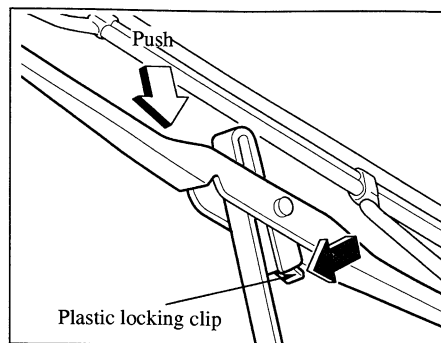
Install the blade so that the tabs are toward the bottom of the wiper arm.

## ■ Replacing Rear Window Wiper Blade

When the wiper no longer cleans well, the blade is probably worn or cracked. Replace it.

**⚠ CAUTION**

To prevent damage to the wiper arm and other components, don't move the wiper by hand.

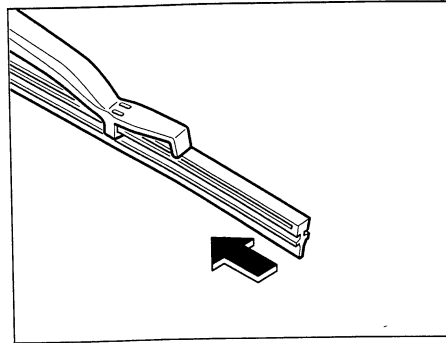
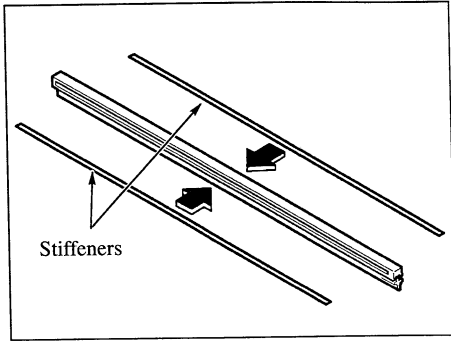


1. Raise the wiper arm and turn the blade assembly to expose the plastic locking clip.
2. Pull down the blade rubber and slide it out of the blade holder.

Compress the clip and slide the assembly downward; then lift it off the arm.

**⚠ CAUTION**

To prevent damage to the rear window, don't let the wiper arm fall on it.



3. Remove the metal stiffeners from the blade rubber and install them in new blades.

4. Carefully insert the new blade rubber. Then install the blade assembly in the reverse order of removal.

■ Battery

**⚠ WARNING**

***Battery-Related Lead Materials:***  
***Battery posts, terminals and related accessories contain lead and lead compounds, chemicals known to the State of California to cause cancer and reproductive harm.***  
***Wash hands after handling.***

**⚠ CAUTION**

Don't bend the stiffeners. You need to use them again.



**⚠ WARNING****Spilled Battery Fluid:**

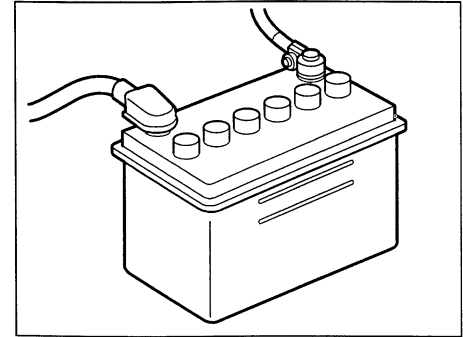
*Spilled battery fluid is dangerous. Battery fluid contains SULFURIC ACID which could cause serious injuries, if it gets in your eyes or on your skin. If this happens, immediately flush your eyes with water for 15 minutes or wash your skin thoroughly and get medical attention. Be careful not to get battery fluid on yourself.*

**⚠ WARNING****Battery-Related Explosion:**

*Flames and sparks near open battery cells are dangerous. Hydrogen gas, produced during normal battery operation, could ignite and cause the battery to explode. An exploding battery can cause serious burns and injuries. Keep all flames, including cigarettes, and sparks away from open battery cells.*

**⚠ WARNING****Children and Batteries:**

*Allowing children to play near batteries is dangerous. Battery fluid could cause serious injuries if it gets in the eyes or on the skin. Always keep batteries out of the reach of children.*



To get the best service from a battery:

- Keep it securely mounted.
- Keep the top clean and dry.
- Keep terminals and connections clean, tight, and coated with petroleum jelly or terminal grease.
- Rinse off spilled electrolyte immediately with a solution of water and baking soda.

- If the vehicle will not be used for an extended time, disconnect the battery cables.

### ■ Tires

For reasons of proper performance, safety, and better fuel economy, always maintain recommended tire inflation pressures and stay within the recommended load limits and weight distribution.

#### **WARNING**

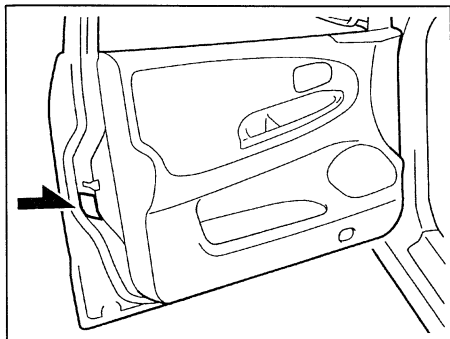
##### ***Using Different Tire Types:***

***Driving your vehicle with different types of tires is dangerous. It could cause poor handling and poor braking; leading to loss of control. Except when using the temporary spare tire, use only the same type tires (radial, bias-belted, bias-type) on all four wheels.***

#### **WARNING**

##### ***Using Wrong-Sized Tires:***

***Using any other tire size than what is specified for your Mazda (page 10-5) is dangerous. It could seriously affect ride, handling, ground clearance, tire clearance, and speedometer calibration. This could cause you to have an accident. Use only tires that are the correct size specified for your Mazda.***



### ▼ Tire inflation pressure

Inspect all tire pressures monthly (including the spare) when the tires are cold. Maintain recommended pressures for the best ride, top handling, and minimum tire wear.

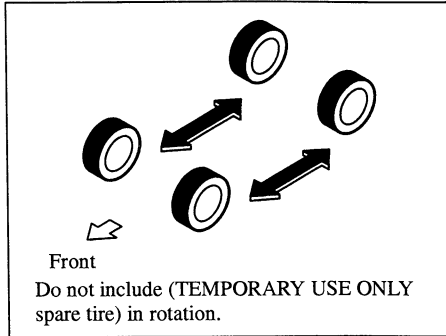
Refer to the specification charts (page 10-5).

#### NOTE

- Warm tires normally exceed recommended pressures. Don't release air from warm tires to adjust the pressure.
  - Underinflation can cause reduced fuel economy and poor sealing of the tire bead, which will deform the wheel and cause separation of tire from rim.
  - Overinflation can produce a harsh ride and a greater possibility of damage from road hazards.
- Keep your tire pressure at the correct levels. If one frequently needs inflating, have it inspected.

#### **WARNING**

***Incorrect Tire Inflation:***  
*Overinflation or underinflation of tires is dangerous. Adverse handling or unexpected tire failure could result in a serious accident. Always inflate the tires to the correct pressure (page 10-5).*



- Improper wheel alignment
- Out-of-balance wheel
- Severe braking

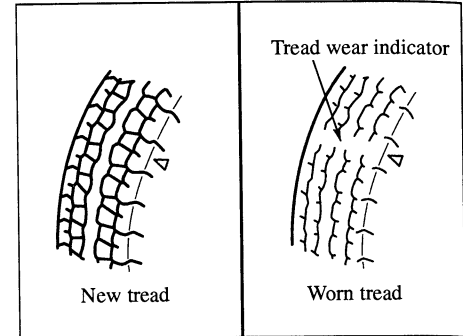
After rotation, bring all tire pressures to specification (page 10-5) and inspect the lug nuts for tightness.

### ▼ Tire rotation

To equalize tread wear, rotate the tires every 6,000 km (3,750 miles), or sooner if irregular wear develops. During rotation, inspect them for correct balance.

Also, inspect them for uneven wear and damage. Abnormal wear is usually caused by one or a combination of the following:

- Incorrect tire pressure



### ▼ Replacing a tire

If a tire wears evenly, a wear indicator will appear as a solid band across the tread. Replace the tire when this happens. You may need to replace it before the band is across the entire tread.

 **WARNING****Worn Tires:**

***Driving with worn tires is dangerous. Reduced braking, steering, and traction could result in an accident. Always use tires that are in good condition.***

**▼ Temporary spare tire**

Inspect the temporary spare tire at least monthly to make sure it's properly inflated and stored.

The temporary spare tire is easier to handle because of its construction. It is lighter and smaller than a conventional tire and should be used only for an emergency and only for a short distance.

Use the temporary only until the conventional tire is repaired, which should be as soon as possible.

Maintain its pressure at 420 kPa (60 psi).

 **CAUTION**

- Don't use your temporary spare tire rim with a snow tire or a conventional tire. Neither will properly fit and could damage both tire and rim.
- The temporary spare tire has a tread life of up to 4,800 km (3,000 miles), depending on road conditions and driving habits.
- When the tread wear solid-band indicator appears, replace the tire with the same type of temporary spare.

### ▼ Replacing a wheel

When replacing a wheel, make sure the new one is the same as the original factory wheel in diameter, rim width, and offset.

Proper tire balancing provides the best riding comfort and helps reduce tread wear. Out-of-balance tires can cause vibration and uneven wear, such as cupping and flat spots.

### ⚠ **WARNING**

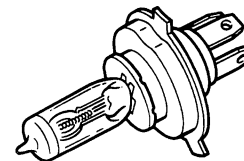
#### *Using a Wrong-Sized Wheel:*

*Using a wrong-sized wheel is dangerous. Braking and handling could be affected, leading to loss of control and an accident. Always use wheels of the correct size on your vehicle.*

### ⚠ **CAUTION**

A wrong-sized wheel may adversely affect

- Tire fit
- Wheel and bearing life
- Ground clearance
- Snow-chain clearance
- Speedometer calibration
- Headlight aim
- Bumper height



Do not touch the glass surface

### ■ Replacing a Headlight Bulb

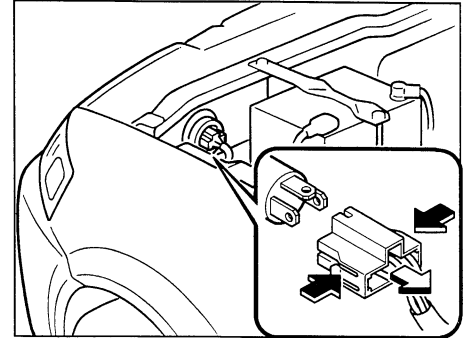
Your Mazda's headlights have replaceable halogen bulbs.

**⚠ WARNING****Handling Halogen Bulbs:**

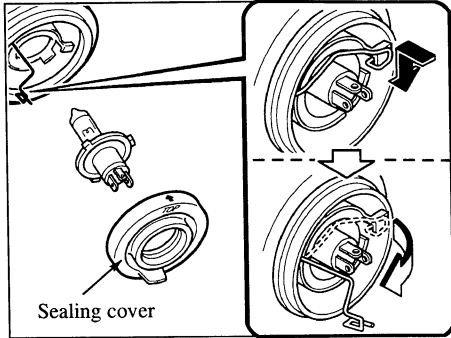
*When a halogen bulb breaks, it is dangerous. These bulbs contain pressurized gas. If one is broken, it will explode and serious injuries could be caused by the flying glass. If the glass portion is touched with bare hands, body oil could cause the bulb to overheat and explode when lit. Never touch the glass portion of the bulb with your bare hands and always wear eye protection when handling or working around halogen bulbs.*

**⚠ WARNING****Children and Halogen Bulbs:**

*Playing with a halogen bulb is dangerous. Serious injuries could be caused by dropping a halogen bulb or breaking it some other way. Always keep halogen bulbs out of the reach of children.*



1. Make sure the headlight switch is off.
2. Lift the hood and find the bulb in the rear of the headlight body.
3. Detach the electrical connector from the bulb by squeezing the tabs and pulling it to the rear.



9. Install in the reverse order of removal.

**NOTE**

- When reinstalling the sealing cover, make sure ↑ faces up.
- Use the protective cover and carton to dispose of the old bulb promptly out of the reach of children.

4. Pull off the sealing cover.

5. Unhook the bulb retaining spring.

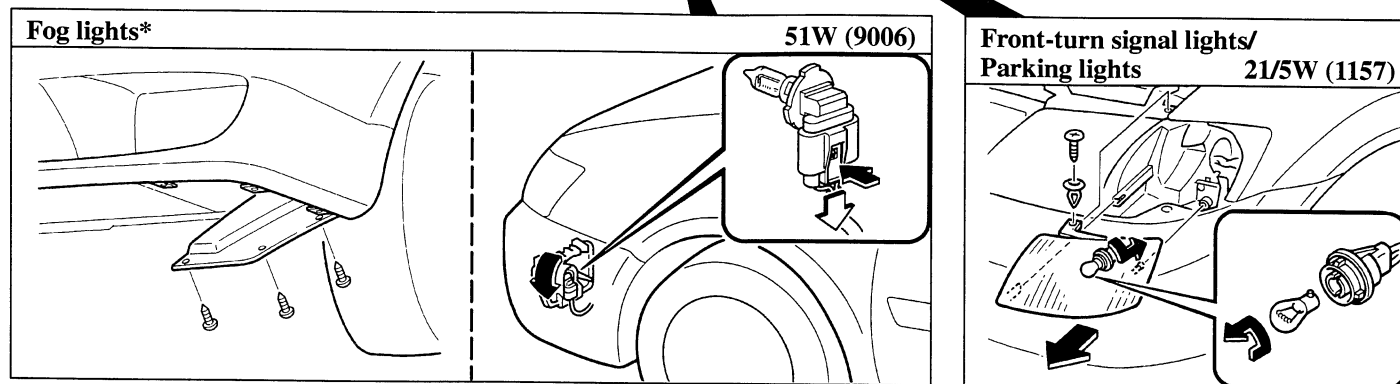
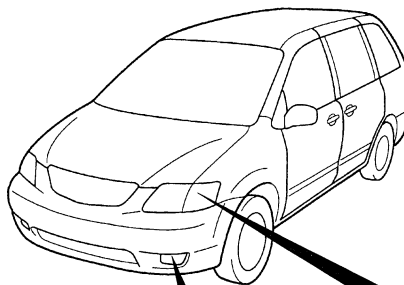
6. Swing the retaining spring out and away to free the headlight bulb.

7. Carefully remove the headlight bulb from the socket by pulling it straight back.

8. Replace the bulb.

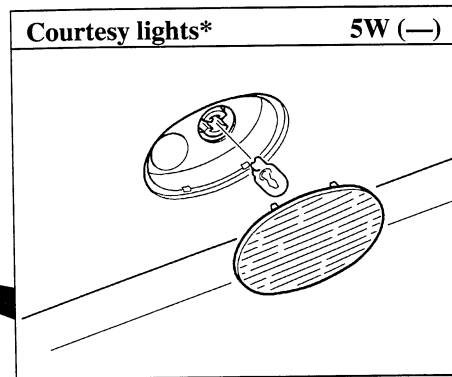
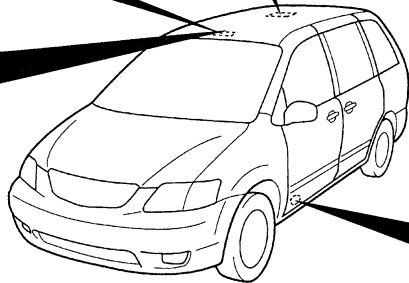
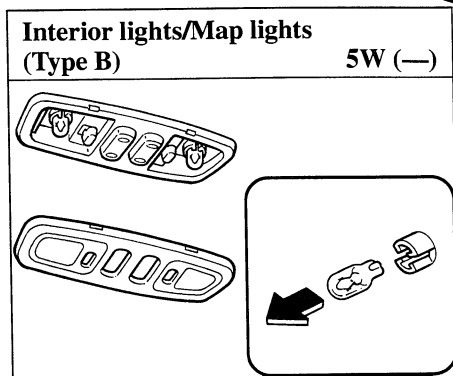
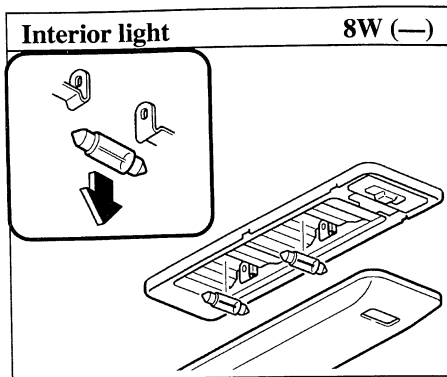
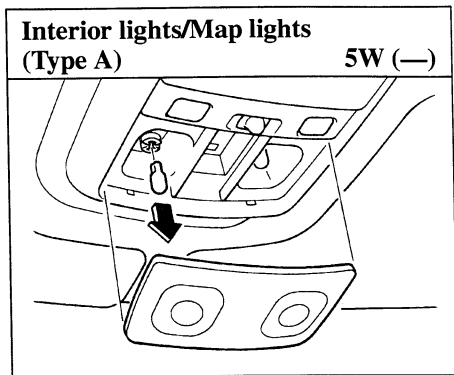


■ Replacing a Bulb (Front)



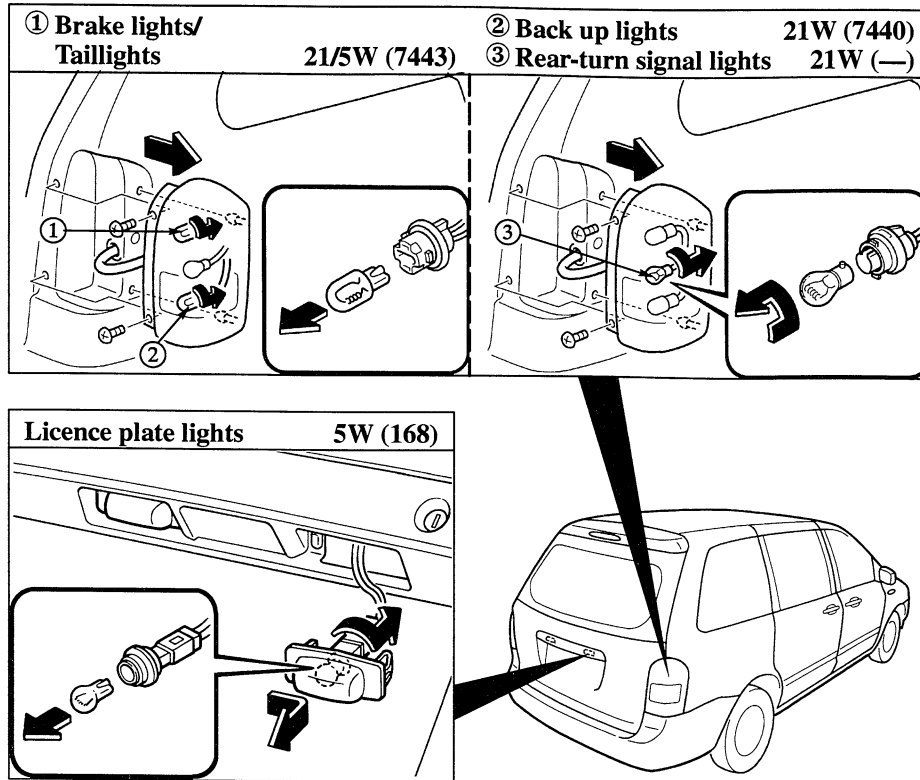
The number in ( ) shows the bulb number.

■ Replacing a Bulb (Interior)

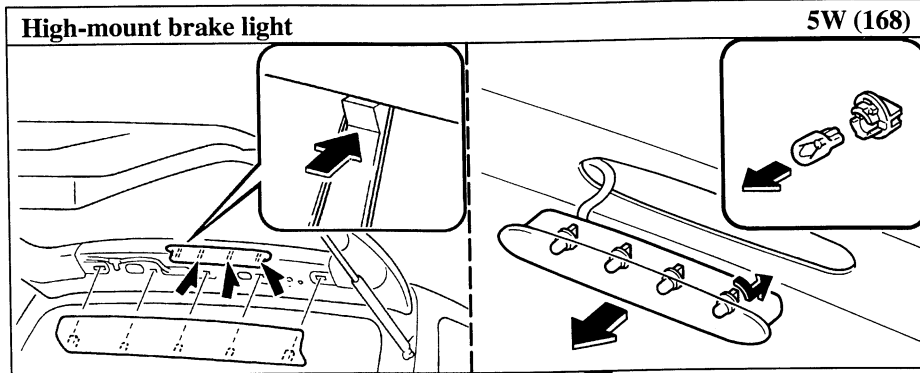


The number in ( ) shows the bulb number.

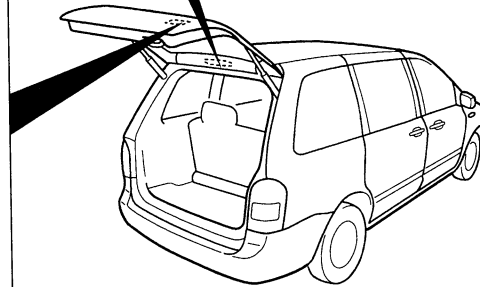
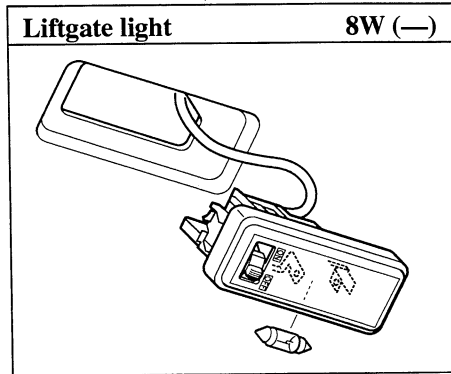
■ Replacing a Bulb (Rear)



The number in ( ) shows the bulb number.



An unsecured high-mount brake light will allow water to leak into the vehicle. Make sure the high-mount brake light is tightly fastened to the vehicle and if water still leaks, consult an Authorized Mazda Dealer.



The number in ( ) shows the bulb number.

# 9

## Customer Information

*Who to consult about a problem; what to do if your vehicle has a safety defect; what warranties protect your vehicle; driving outside the United States and Canada; adding equipment; tire quality grades: This is the kind of consumer information you'll find in Section 9.*

Customer Assistance (Except Puerto Rico)	9- 2
Customer Assistance (Puerto Rico)	9- 4
Mazda Importer/Distributors	9- 5
Warranties for Your Mazda	9- 6
Outside the United States and Canada	9- 6
Add-On Non-Genuine Parts and Accessories	9- 7
Cell Phones	9- 8
Uniform Tire Quality Grading System (UTQGS)	9- 8
Reporting Safety Defects	9-10
Service Publications	9-11

## Customer Information

---

### Customer Assistance (Except Puerto Rico)

Your complete and permanent satisfaction is our business. We are here to serve you. All Authorized Mazda Dealers have the knowledge and the tools to keep your Mazda vehicle in top condition.

If you have any questions or recommendations for improvement regarding the service of your Mazda vehicle or servicing by Mazda Dealer personnel, we recommend that you take the following steps:

#### **STEP 1: Contact Your Mazda Dealer**

Discuss the matter with an Authorized Mazda Dealer. This is the quickest and best way to address the issue. If your concern has not been resolved by the CUSTOMER RELATIONS, SALES, SERVICE, or PARTS MANAGER, then please contact the GENERAL MANAGER of the dealership or the OWNER.



#### **STEP 2: Call the Mazda National Customer Assistance Center #800**

If for any reason you feel the need for further assistance after contacting your dealership management, call Mazda North American Operations' Customer Assistance Center toll-free at:

**1 (800) 222-5500**

In order to serve you efficiently and effectively, please help us by providing the following information:

1. Your name, address, and telephone number
2. Year and model of vehicle
3. Vehicle Identification Number (17 digits, noted on your registration or title or located on the upper driver's side corner of the dash)
4. Purchase date and current mileage
5. Your dealer's name and location
6. Your question(s)



If you would like to write a letter, please address it to the following, Attn: Customer Assistance, which corresponds with your state:

<b>REGIONAL OFFICE</b>	<b>AREAS COVERED</b>
Mazda North American Operations 7755 Irvine Center Drive Irvine, CA 92618-2922 P.O. Box 19734 Irvine, CA 92623-9734	All states

This way, we can be sure to respond to you as efficiently as possible. That is our goal.

If you live outside the U.S.A., please contact your nearest Mazda Distributor.

## Customer Information

---

### Customer Assistance (Puerto Rico)

Your complete and permanent satisfaction is our business. That is why all Authorized Mazda Dealers have the knowledge and the tools to keep your Mazda vehicle in top condition.

If you have any questions or recommendations for improvement regarding the service of your Mazda vehicle or servicing by Mazda Dealer personnel, we recommend that you take the following steps:

#### STEP 1

Discuss the matter with an Authorized Mazda Dealer. This is the quickest and best way to address the issue. If your concern has not been resolved by the CUSTOMER RELATIONS, SALES, SERVICE, or PARTS MANAGER, then please contact the GENERAL MANAGER of the dealership or the OWNER.

#### STEP 2

If, after following STEP 1, you feel the need for further assistance, please contact your area's Mazda representative (Indicated on the next page).

Please help us by providing the following information:

1. Your name, address, and telephone number
2. Year and model of vehicle
3. Vehicle Identification Number (17 digits, noted on your registration or title or located on the upper driver's side corner of the dash)
4. Purchase date and current mileage
5. Your dealer's name and location
6. Your question(s)



## Mazda Importer/Distributors

### U.S.A. (Importer/Distributor)

#### Mazda North American Operations

7755 Irvine Center Drive  
Irvine, CA 92618-2922  
P.O. Box 19734  
Irvine, CA 92623-9734  
TEL: 1 (800) 222-5500 (in U.S.A.)  
(949) 727-1990 (outside U.S.A.)

(Distributor in each area)

### CANADA

#### Mazda Canada Inc.

305 Milner Avenue, Suite 400  
Scarborough, Ontario M1B 3V4 Canada  
TEL: 1 (800) 263-4680 (in Canada)  
(416) 609-9909 (outside Canada)

### PUERTO RICO

#### Plaza Motors Corp. (Mazda de Puerto Rico)

P.O. Box 362722, San Juan, Puerto Rico 00936-2722  
TEL: (787) 788-9300

### GUAM

#### Triple J Motors

157 South Marine Drive, Tamuning,  
GUAM 96911 USA  
P.O. Box 6066 Tamuning, Guam 96931  
TEL: (671) 649-6555

### SAIPAN

#### Pacific International Marianas, Inc. (d.b.a. Midway Motors)

P.O. Box 887 Saipan, MP 96950  
TEL: (670) 234-7524

### AMERICAN SAMOA

#### Polynesia Motors, Inc.

P.O. Box 1120, Pago Pago, American Samoa 96799  
TEL: (684) 699-9347

### Warranties for Your Mazda

- New Vehicle Limited Warranty
- Safety Restraint System Limited Warranty
- Anti-perforation Limited Warranty
- Federal Emission Control Warranty
  - Emission Defect Warranty
  - Emission Performance Warranty
- California Emission Control Warranty (if applicable)
- Replacement Parts and Accessories Limited Warranty
- Tire Warranty

#### NOTE

Detailed warranty information is provided with your Mazda.

### Outside the United States and Canada

Government regulations in the United States require that automobiles meet specific emission regulations and safety standards. Therefore, vehicles built for use in the United States, its territories, and Canada may differ from those sold in other countries.

The differences may make it difficult or even impossible for your vehicle to receive satisfactory servicing in other countries. We strongly recommend that you NOT take your Mazda outside these areas.

You may have these problems if you do:

- Recommended fuel may be unavailable. Any kind of leaded fuel or low-octane fuel will affect vehicle performance and damage the emission controls and engine.
- Proper repair facilities, tools, testing equipment, and replacement parts may not be available.

The Mazda warranty applies only to Mazda vehicles registered and normally operated in the United States, its territories, and Canada.

## Add-On Non-Genuine Parts and Accessories

Non-genuine parts and accessories for Mazda vehicles can be found in stores. These may fit your vehicle, but they are not approved by the Mazda for use with Mazda vehicles. When you install non-genuine parts or accessories, they could affect your vehicle's performance or safety system; the Mazda warranty doesn't cover this. Before you install any non-genuine parts or accessories, consult an Authorized Mazda Dealer.

### **WARNING**

#### **Installation of Non-Genuine Parts or Accessories:**

***Installation of non-genuine parts or accessories is dangerous. Improperly designed parts or accessories could seriously affect your vehicle's performance or safety system. This could cause you to have an accident or increase your chances of injuries in an accident. Always consult an Authorized Mazda Dealer before you install non-genuine parts or accessories.***

### **WARNING**

#### **Add-On Electrical and Electronic Equipment:**

***Incorrectly choosing or installing improper add-on equipment or choosing an improper installer is dangerous. Essential systems could be damaged, causing engine stalling, air bag (SRS) activation, ABS inactivation, or a fire in the vehicle. Be very careful in choosing and installing add-on electrical equipment, such as mobile telephones, two-way radios, stereo systems, and car alarm systems.***

Mazda assumes no responsibility for death, injury, or expenses that may result from the installation of add-on non-genuine parts or accessories.

## Cell Phones

### **WARNING**

#### *Use of Cell Phones and Other Devices by Driver:*

*Although not Mazda products, use of any electrical devices such as cell phones, computers, portable radios, vehicle navigation or other devices by the driver while the vehicle is moving is dangerous. Dialing a number on a cell phone while driving also ties-up the driver's hands. Use of these devices will cause the driver to be distracted and could lead to a serious accident. If a passenger is unable to use the device, pull off the right-of-way to a safe area before use. If use of a cell phone is necessary despite this warning, use a hands-free system to at least leave the hands free to drive the vehicle. Never use a cell phone or other electrical device while the vehicle is moving and, instead, concentrate on the full-time job of driving.*

## Uniform Tire Quality Grading System (UTQGS)

This information relates to the tire grading system developed by the U.S. National Highway Traffic Safety Administration for grading tires by tread wear, traction, and temperature performance.

### ■ Tread Wear

The tread wear grade is a comparative rating based on the wear rate of the tire when tested under controlled conditions on a specified government test course. For example, a tire graded 150 would wear one-and-a-half times as well on the government course as a tire graded 100.

The relative performance of tires depends upon the actual conditions of their use, however, and may depart significantly from the norm because of variations in driving habits, service practices and differences in road characteristics and climate.

### ■ Traction—AA, A, B, C

The traction grades, from highest to lowest, are AA, A, B, and C. These

grades represent the tire's ability to stop on wet pavement as measured under controlled conditions on specified government test surfaces of asphalt and concrete. A tire marked C may have poor traction performance.

### **WARNING:**

*The traction grade assigned to this tire is based on braking (straight ahead) traction tests and does not include acceleration cornering (turning), hydroplaning, or peak traction characteristics.*

### ■ Temperature—A, B, C

The temperature grades are A (the highest), B, and C, represent the tire's resistance to the generation of heat and its ability to dissipate heat when tested under controlled conditions on a specified indoor laboratory test wheel. Sustained high temperature can cause the material of the tire to degenerate and reduce tire life, and excessive temperatures can lead to sudden tire failure.

Grade C corresponds to a level of performance which all passenger vehicle tires must meet under the Federal Motor Vehicle Safety Standard No. 109. Grades B and A represent higher levels of performance on the laboratory test wheel than the minimum required by law.

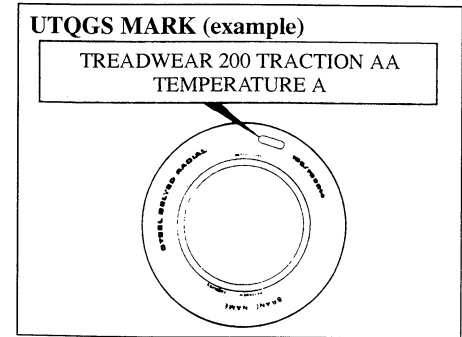
**WARNING:**

*The temperature grade for this tire is established for a tire that is properly inflated and not overloaded. Excessive speed, underinflation, or excessive loading, either separately or in combination, can cause heat buildup and possible tire failure.*

These grades will be added to the sidewalls of passenger vehicle tires over the next several years according to a schedule established by the NHTSA and the tire manufacturers.

The grade of tires available as standard or optional equipment on Mazda vehicle may vary with respect to grade.

ALL PASSENGER VEHICLE TIRES MUST CONFORM TO THESE GRADES AND TO ALL OTHER FEDERAL TIRE-SAFETY REQUIREMENTS.



**Uniform Tire Quality Grading**

Quality grades can be found where applicable on the tire sidewall between tread shoulder and maximum section width. For example:

**Treadwear 200 Traction AA Temperature A**

### Reporting Safety Defects

If you believe that your vehicle has a defect which could cause a crash or could cause injury or death, you should immediately inform the National Highway Traffic Safety Administration (NHTSA) in addition to notifying Mazda Motor Corporation (Your Mazda Importer/Distributor).

If NHTSA receives similar complaints, it may open an investigation, and if it finds that a safety defect exists in a group of vehicles, it may order a recall and remedy campaign. However, NHTSA cannot become involved in individual problems between you, your dealer, or Mazda Motor Corporation (Your Mazda Importer/Distributor).

To contact NHTSA, you may either call the Auto Safety Hotline toll-free at 1 (800) 424-9393 (or 366-0123 in Washington, D.C. area) or write to: NHTSA, U.S. Department of Transportation, Washington, D.C. 20590. You can also obtain other information about motor vehicle safety from the Hotline.

(Note)

If you live in the U.S.A., all correspondence to Mazda Motor Corporation should be forwarded to:

Mazda North American Operations  
7755, Irvine Center Drive  
Irvine, California 92618-2922  
P.O. Box 19734  
Irvine, CA 92623-9734  
Customer Assistance Center  
or toll free at 1 (800) 222-5500

If you live outside of the U.S.A., please contact the nearest Mazda Distributor shown on page 9-5 in this booklet.

## Service Publications

Factory-authorized Mazda service publications are available for owners who wish to do some of their own maintenance and repair.

When requesting any of our publications through an Authorized Mazda Dealer, refer to the chart below.

If they don't have what you need in stock, they can order it for you.

PUBLICATION ORDER NUMBER	PUBLICATION DESCRIPTION
9999 95 038B 01	2001 WORKSHOP MANUAL (English)
9999 95 024G 01	2001 WIRING DIAGRAM (English)
9999 95 029C 01 (Except Puerto Rico)	2001 OWNER'S MANUAL

### **WORKSHOP MANUAL:**

Covers recommended maintenance and repair procedures of the drive train, body and chassis.

### **WIRING DIAGRAM:**

Provides electrical schematics as well as component location for the entire electrical system.

### **OWNER'S MANUAL:**

This booklet contains information regarding the proper care and operation of your vehicle. This is not a technician's manual.





# 10

## Specifications

---

Lubricant Quality	10- 2
Dimensions	10- 2
Weights	10- 3
Engine	10- 3
Electrical System	10- 4
Capacities	10- 4
Air Conditioner	10- 5
Tires	10- 5
Light Bulbs	10- 6

## Specifications

---

### Lubricant Quality

Lubricant	Classification	
	API Service	ILSAC
Engine oil*	SJ	GF-II
Transaxle fluid	ATF M-III or equivalent (e.g. Dexron® II)	
Power steering fluid	ATF M-III or equivalent (e.g. Dexron® II)	
Brake fluid	FMVSS116 DOT-3	

\* Refer to the recommended SAE viscosity numbers on page 8-11.

### Dimensions

Unit: mm (in)

Overall length	4,750 (187.0), *4,770 (187.8)
Overall width	1,830 (72.1)
Overall height	1,745 (68.7)
Front tread	1,545 (60.8)
Rear tread	1,545 (60.8)
Wheel base	2,840 (111.8)

\* With license plate holder

**Weights**

Unit: kg (lb)

GVWR		2,303 (5,077)
GAWR	Front	1,132 (2,496)
	Rear	1,193 (2,630)

GVWR: Gross Vehicle Weight Rating

GAWR: Gross Axle Weight Rating

**Engine**

Type	DOHC-24V 60° V, 6-cyl
Bore × Stroke	81.7 × 79.5 mm (3.22 × 3.13 in)
Displacement	2,498 ml (2,498 cc, 152.4 cu in)
Compression ratio	9.7

## Specifications

### Electrical System

Battery	Maintenance-free, 12V—48AH/5HR 12V—52AH/5HR
Alternator	12V—100A
Starter	12V—1.6 kW
Spark plug number	AWSF 32F
Spark-plug gap	1.3—1.4 mm (0.051—0.057 in)

### Capacities (Approximate Quantities)

		Unit	L	US qt	Imp qt
Engine oil	With oil filter replacement		5.2	5.5	4.6
	Without oil filter replacement		4.7	5.0	4.1
Coolant	With rear heater		12	12.7	10.6
	Without rear heater		10.2	10.8	9.0
Transaxle oil			8.0	8.4	7.0
Washer fluid	With 4-Seasons Package		5.5	5.8	4.8
	Without 4-Seasons Package		2.2	2.3	1.9
Fuel tank		<b>L</b>	<b>US gal</b>	<b>Imp gal</b>	
		70	18.5	15.4	

Check oil and fluid levels with dipsticks or reservoir gauges.

### Air Conditioner

Refrigerant complies with SAE J639	R-134a	
Maximum operating charge	Front air-conditioner	0.65 kg (22.9 oz)
	Front and rear air-conditioner	0.85 kg (30.0 oz)

### Tires

Tire size		Inflation pressure kPa (psi or lb/po <sup>2</sup> )	
		Front	Rear
205/65R15 94S		240 (35)	240 (35)
P215/60R16 94H		240 (35)	240 (35)
Temporary spare tire	T135/90D15	420 (60)	

## Specifications

---

### Light Bulbs

Light bulb	Wattage	Bulb trade number
Headlights	60/55	HB2
Front-turn signal lights/Parking lights	21/5	1157
Fog lights*	51	9006
Rear-turn signal lights	21	—
Brake lights/Taillights	21/5	7443
High-mount brake light	5	168
Back up lights	21	7440
License plate lights	5	168
Interior lights/Map lights	5	—
Interior light	8	—
Liftgate light	8	—
Courtesy lights*	5	—

Fuses ..... Refer to page 6-9



<b>A</b>	Page	<b>B</b>	Page	<b>C</b>	Page
Accessory Socket . . . . .	5-42	Shift-lock system . . . . .	5-10	Capacities . . . . .	10-4
Add-On Non-Genuine Parts and Accessories . . . . .	9-7	<b>B</b>		Cassette Tape Player . . . . .	5-89
Air Bag Restraint System		Battery . . . . .	8-28	Operation . . . . .	5-97
Supplemental Restraint System . . . . .	2-51	Charging system warning light . . . . .	5-28	Cell Phones . . . . .	9-8
Warning light . . . . .	5-31	Jump-starting . . . . .	6-4	Chains . . . . .	4-10
Aluminum Wheel Maintenance . . . . .	7-8	Before Driving		Changing a Flat Tire . . . . .	6-21
Antenna . . . . .	5-112	After getting in . . . . .	4-6	Changing Coolant . . . . .	8-16, 8-17
Antilock Brake System (ABS) . . . . .	5-14	Before getting in . . . . .	4-6	Changing the Oil . . . . .	8-12
Warning light . . . . .	5-30	Body Lubrication . . . . .	8-22	Charging System Warning Light . . . . .	5-28
Ashtray . . . . .	5-43	Bottle Holder . . . . .	5-46	Check Engine Light . . . . .	5-29
Audio System		Brakes		Checking	
Cassette tape player . . . . .	5-97	Antilock brake system (ABS) . . . . .	5-14	Automatic transaxle fluid level . . . . .	8-19
Radio . . . . .	5-71, 5-74, 5-90, 5-93	Fluid level . . . . .	8-18	Brake fluid level . . . . .	8-18
Automatic Transaxle		Foot brake . . . . .	5-11	Coolant level . . . . .	8-14
Driving tips . . . . .	5-8	Pad wear indicator . . . . .	5-12	Engine oil level . . . . .	8-12
Fluid level . . . . .	8-19	Parking brake . . . . .	5-13	Power steering fluid level . . . . .	8-19
Overdrive . . . . .	5-9	System warning light . . . . .	5-26	Washer fluid level . . . . .	8-21
Shift-lock override . . . . .	5-11	Break-In . . . . .	4-6	Child Restraint, Precautions . . . . .	2-41
Shift-lock system . . . . .	5-10	Break-In Period . . . . .	4-6	Child Safety Lock for Rear Door . . . . .	3-7
Transaxle ranges . . . . .	5-7	Bright-Metal Maintenance . . . . .	7-7	Child-Restraint Systems . . . . .	2-43
Automatic Transmission		Bulb Replacement		Installing . . . . .	2-44
Driving tips . . . . .	5-8	Front . . . . .	8-37	Cigarette Lighter . . . . .	5-41
Overdrive . . . . .	5-9	Headlight . . . . .	8-34	Cleaning	
Shift-lock override . . . . .	5-11			Dashboard . . . . .	7-9
				Lap/shoulder belt webbing . . . . .	7-10



	Page
Upholstery and interior trim . . . . .	7-9
Window interiors . . . . .	7-10
Climate Control System . . . . .	5-50
Clock . . . . .	5-40
Compact Disc Player . . . . .	5-69, 5-89
Coolant, Engine	
Adding . . . . .	8-14
Changing . . . . .	8-16, 8-17
Inspecting . . . . .	8-14
Cruise Control . . . . .	5-15
Cup Holders . . . . .	5-46
Customer Assistance . . . . .	9-4
Customer Information . . . . .	9-1

**D**

Dashboard Illumination . . . . .	5-25
Dashboard Overview . . . . .	1-3
Dashboard Precautions . . . . .	7-9
Day/Night Mirror . . . . .	3-29
Defroster	
Outside mirrors . . . . .	3-29
Rear window . . . . .	5-38
Door Locks	
Inside door lock . . . . .	3-4, 3-5
Outside door lock . . . . .	3-3
Door-Ajar Warning Light . . . . .	5-30
Doors . . . . .	1-4
Driving in Flooded Areas . . . . .	4-11

Page

**E**

Emergency Starting	
Jump-starting . . . . .	6-4
Push-starting . . . . .	6-6
Emission Control System . . . . .	4-3
Engine Compartment Overview . . . . .	8-10
Engine Coolant	
Adding coolant . . . . .	8-14
Changing coolant . . . . .	8-16, 8-17
Inspecting coolant level . . . . .	8-14
Overheating . . . . .	6-2
Engine Exhaust Gas (Carbon Monoxide),	
Exhaust (Carbon Monoxide) . . . . .	4-4
Engine Oil	
Changing engine oil and filter . . . . .	8-12
Inspecting engine oil level . . . . .	8-12
Recommended oil . . . . .	8-11
Engine Oil Pressure Warning Light . . . . .	5-28
Engine Starting . . . . .	5-4
Exhaust (Carbon Monoxide) . . . . .	4-4
Exterior Care . . . . .	7-4

Page



<b>I</b>	Page	<b>J</b>	Page	<b>L</b>	Page
Ignition Key Reminder .....	5-32	Jack and Tool Storage .....	6-15	Label Information .....	4-24
Ignition Switch Positions .....	5-2	Jump-Starting .....	6-4	Lane-Change Signals .....	5-35
Immobilizer System .....	3-18			Liftgate	
Maintenance .....	3-19			Outside .....	3-15
Operation .....	3-19	<b>K</b>		Remote liftgate lock .....	3-15
Warning light .....	5-32	Keyless Entry System .....	3-8	Liftgate Light .....	3-37
In Case of Emergency .....	6-1	Transmitter .....	3-8	Light	
Indicator Lights		Keys .....	3-2	Interior .....	3-34
Cruise set .....	5-33			Liftgate .....	3-37
Headlight high-beam .....	5-33			Map .....	3-36
O/D (Overdrive) OFF .....	5-33			Lighter .....	5-41
Security .....	5-32			Lights	
Inspecting				Front fog .....	5-35
Automatic transaxle fluid level .....	8-19			Headlights .....	5-33
Brake fluid level .....	8-18			On reminder .....	5-32
Coolant level .....	8-14			Locking Lug Nuts .....	6-28
Engine oil level .....	8-12			Low Fuel Warning Light .....	5-29
Power steering fluid level .....	8-19			Lug Nuts, Locking .....	6-28
Washer fluid level .....	8-21			Luggage Compartment, Cargo securing loops .....	3-38
Instrument Cluster .....	5-21				
Interior Care .....	7-9				
Interior Light .....	3-34				
Interior Overview .....	1-2				

## Index

---

	Page		Page		Page
<b>M</b>		<b>O</b>		<b>P</b>	
Maintaining the Air Filter . . . . .	8-22	Odometer and Trip Meter . . . . .	5-22	Paint Damage . . . . .	7-2
Maintaining the Finish . . . . .	7-4	Outside Mirrors . . . . .	3-27	Damage caused by bird dropping,	
Maintaining Wiper Blades . . . . .	8-24	Outside the United States and Canada . . .	9-6	insects, or tree sap . . . . .	7-2
Maintenance . . . . .	8-1	Overhead Console . . . . .	5-45	Etching caused by acid rain or	
Introduction . . . . .	8-2	Overheating . . . . .	6-2	industrial fallout . . . . .	7-2
Owner . . . . .	8-8	Overloading . . . . .	4-23	Water marks . . . . .	7-3
Scheduled . . . . .	8-3	Owner Maintenance		Parking Brake . . . . .	5-13
Map Lights . . . . .	3-36	Precautions . . . . .	8-9	Power Control Mirror . . . . .	3-28
Mirrors		Schedule . . . . .	8-8	Power Door Locks . . . . .	3-6
Defroster . . . . .	3-29			Power Steering . . . . .	5-15
Outside mirrors . . . . .	3-27			Power Steering Fluid Level . . . . .	8-19
Rearview mirror (day/night) . . . . .	3-29			Power Windows . . . . .	3-12
Vanity . . . . .	5-49			Driver's door . . . . .	3-12
Money-Saving Suggestions . . . . .	4-7			Front passenger's door . . . . .	3-14
				Lock switch . . . . .	3-13
				Rear door . . . . .	3-14
				Pregnant Women . . . . .	2-41
				Pregnant Women and Persons with	
				serious Medical Conditions . . . . .	2-41
				Push-Starting . . . . .	6-6

<b>R</b>	Page	<b>S</b>	Page	<b>S</b>	Page
Radio .....	5-69, 5-89	Safety Certification .....	5-67	Snow Tires .....	4-9
Operation .....	5-71, 5-74, 5-90, 5-93	Scheduled Maintenance .....	8-3	Socket .....	5-42
Radio Reception .....	5-65	Seat Belt		Spare Tire .....	6-29, 8-33
Rear Console .....	5-46	Extender .....	2-40	Special Driving Conditions	
Rear Door Child Safety Lock .....	3-7	Front .....	2-34	Driving in flooded areas .....	4-11
Rear Quarter Window .....	3-14	Pregnant women .....	2-41	Hazardous driving .....	4-8
Rear Seat .....	2-6	Rear .....	2-36	Rocking the vehicle .....	4-8
Armrest .....	2-10	System .....	2-31	Winter driving .....	4-9
Head restraint .....	2-9, 2-20	Warning light/beep .....	5-27	Specification .....	10-1
Recline .....	2-8	Seat Bests, Pregnant women/other		Specifications	
Rear Seat Belts .....	2-36	medical conditions .....	2-41	Air conditioner .....	10-5
Rear Window Defroster .....	5-38	Seats		Capacities .....	10-4
Rear Window Wiper and Washer .....	5-38	Armrest .....	2-5	Dimensions .....	10-2
Rear Window Wiper Blade		Head restraint .....	2-3	Electrical system .....	10-4
Replacement .....	8-26	Recline .....	2-3	Engine .....	10-3
Rearview Mirror (Day/Night) .....	3-29	Slide .....	2-2	Light bulbs .....	10-6
Repairing Damage to the Finish .....	7-7	Tilt (driver's seat) .....	2-4	Lubricant quality .....	10-2
Replacing		Second-Row Seats		Tires .....	10-5
Headlight bulb .....	8-34	Folding the second-row seats .....	2-12	Weights .....	10-3
Rear window wiper blade .....	8-26	Removing and installing second-row		Speedometer .....	5-22
Tire .....	8-32	seats .....	2-15	Starting the Engine .....	5-4
Wheel .....	8-34	Side-sliding seat .....	2-8	Steering Wheel	
Windshield wiper blades .....	8-24	Sliding upright seat .....	2-7	Horn .....	3-27
Rocking the Vehicle .....	4-8	Third-row seat access .....	2-11	Tilt wheel .....	3-26
		Service Publications .....	9-11	Storage Compartments .....	5-44
				Sunroof, Operation .....	3-31
				Sunshade .....	3-33

## Index

	Page		Page		Page
Sunvisors .....	5-48	<b>T</b>		Snow tires .....	4-9
Supplemental Restraint System		Tachometer .....	5-24	Spare .....	8-33
Constant monitoring .....	2-64	Temporary Spare Tire .....	8-33	Spare tire .....	6-29
Front air bag activation .....	2-58	Theft-Deterrent System .....	3-21	Tool Storage .....	6-15
How the air bags work .....	2-54	How to arm the system .....	3-22	Towing .....	6-13
Limitations to front air bag activation .....	2-59	Labels .....	3-24	Trailer Towing .....	4-11
Limitations to side air bag activation .....	2-62	Modification and Add-On Equipment .....	3-20	Transaxle Ranges, Automatic .....	5-7
Maintenance .....	2-65	Operation .....	3-21	Transaxle, Automatic .....	5-6
Non-activation of front air bags .....	2-60	Security indicator light .....	5-32	Trip meter .....	5-23
Non-activation of side air-bags .....	2-63	To stop an alarm .....	3-24	Turn and Lane-Change Signals .....	5-35
Side air-bag activation .....	2-61	To turn off an armed system .....	3-23	Turn Signal .....	5-35
System description .....	2-53	Theft-Deferrer System, How to arm the system .....	3-22		
Warning light .....	5-31	Third-Row Seat .....	2-19	<b>U</b>	
		Folding the third-row seat flat .....	2-21	Under Seat Tray .....	5-46
		Open liftgate position .....	2-26	Underbody Maintenance .....	7-7
		Recline .....	2-19	Uniform Tire Quality Grading System (UTQGS)	
		Stowing the third-row seat .....	2-22	Temperature-A, B, C .....	9-8
		Tilt Steering .....	3-26	Traction-AA, A, B, C .....	9-8
		Tires		Tread wear .....	9-8
		Chains .....	4-10		
		Flat tire .....	6-15		
		Inflation pressure .....	8-31		
		Replacement .....	8-32		
		Rotation .....	8-32		

	Page		Page
<b>V</b>		Windshield Washer .....	5-37
Vanity Mirrors .....	5-49	Windshield Washer Fluid Level .....	8-21
Vehicle Information Labels .....	4-24	Windshield Wiper Blades	
		Replacement .....	8-24
		Windshield Wipers .....	5-36
		Winter Driving .....	4-9
<b>W</b>		Wiper Blade	
Warning Lights/Beeps		Maintaining .....	8-24
Antilock brake system (ABS) .....	5-30	Rear window .....	8-26
Brake system .....	5-26	Windshield .....	8-24
Charging system .....	5-28		
Check engine .....	5-29		
Door-ajar .....	5-30		
Engine oil pressure .....	5-28		
Ignition key reminder .....	5-32		
Immobilizer system .....	5-32		
Lights-on reminder .....	5-32		
Low fuel .....	5-29		
Seat belt .....	5-27		
Supplemental restraint system .....	5-31		
Warning lights inspection .....	5-26		
Warranties for Your Mazda .....	9-6		
Washing .....	7-4		
Water Temperature Gauge .....	5-24		
Waxing .....	7-6		
Wheel Replacement .....	8-34		

